

G10
evo

PERFECTION WHEN YOU NEED IT



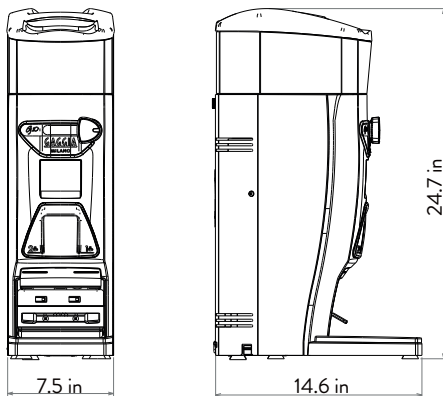
GAGGIA
MILANO

G10 evo

Gaggia Milano's premium grinder, the G10 evo is the quickest fresh coffee grinder on the market: double or single doses at the touch of your filter holder. Equipped with long-life flat steel blades, it can grind up to about 2646 lb of coffee and always ensure the greatest precision.

DESIGN AND CUSTOMIZATION

- 4.3" touch screen
- Logo and language customization
- Dose counter programming
- Parameter backup
- Cleaning cycle and blades change warning
- USB port for uploads, updates
- Elegant aluminum body



PERFECTION WHEN YOU NEED IT



More Info



FEATURES AND BENEFITS

- Bluetooth connectivity
- Long life steel grinding blades
- Precise grinding adjustment (0.002 mm)
- 2.6 lb hopper
- Safety microswitch
- Easy to clean
- Double or single doses

MULTIPLE GRINDING OPTIONS

- Patented Dose on demand: pre-grinds next dose
- Grind on demand: each dose ground before service
- Manual dose: get full control over dosage

TECHNICAL FEATURES

Net weight	35.0 lb
Hopper capacity	2.6 lb
Grinding blades (Ø)	64 mm
Voltage	120 V / 60 Hz
Power	610 W
Revolutions	1250 rpm
Grinding output	4-5 g/s

COLORS

White / Black



Gaggia is a trademark licensed by Gaggia S.p.A.

GAGGIA
MILANO

Evoca North America
2355, avenue Dalton, Québec (Québec) G1P 3S3, Canada
T: 800-561-6162 - F: 800-463-2739
www.evocagroupna.com

Headquarters: Evoca S.p.A.
Via Roma, 24 - 24030 Valbrembo (BG) Italy
T. +39 035606111
www.evocagroup.com

23BRO01-MOULINA
G10 evo Brochure | 2025-08 | Rev. 1