

QUICK GUIDE G 100

Below are some simple instructions for loading products and clean-ing your appliance.

When cleaning your appliance, Evoca recommends the use of its own tested and certified products which are available on eCommerce. Scan the QR alongside here to order them.



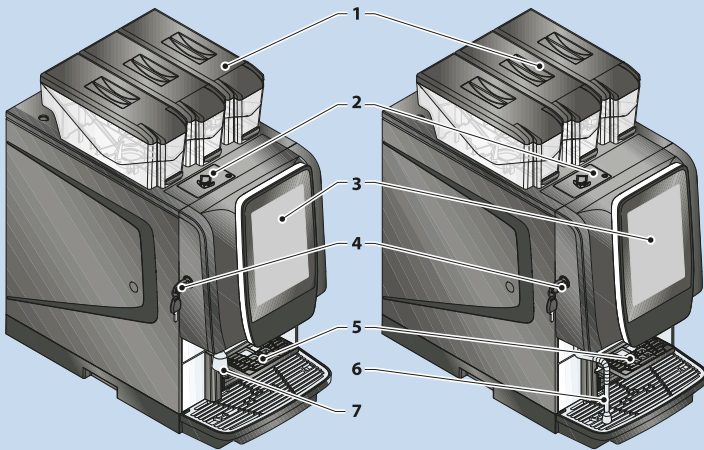
Warnings are highlighted with this symbol



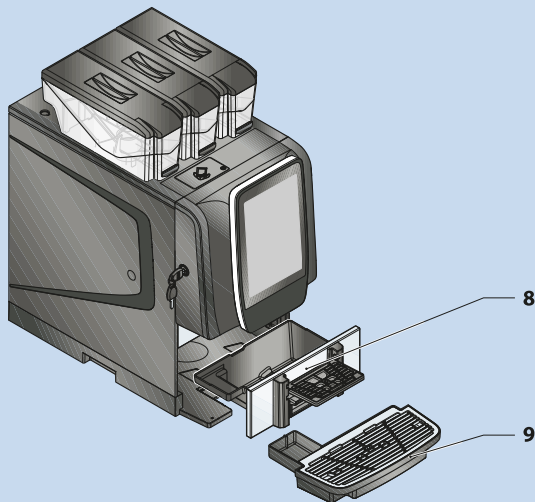
* Only on some versions

** Only on Fresh Milk models

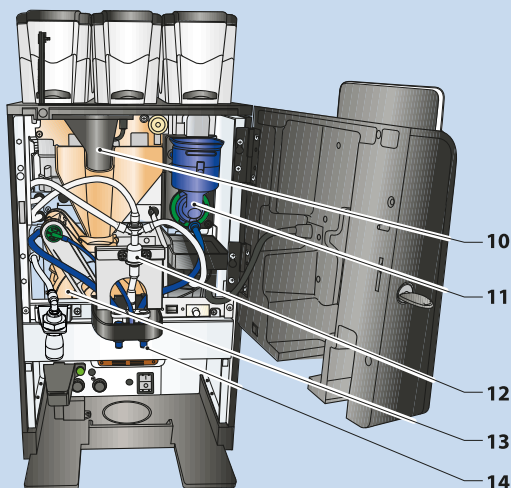
<https://store.evocagroup.com>



1	Containers
2	Decaffeinated coffee door
3	Touchscreen
4	Door lock
5	Cup support
6	Steam nozzle *
7	Hot water spout *



8	Solid residue tray
9	Liquid residue tray

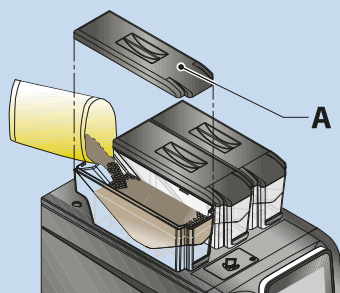


10	Decaffeinated coffee chute *
11	Mixer
12	Cappuccinatore **
13	BREWING UNIT
14	Dispensing nozzles

Product loading

i This operation can be performed at any time or after the error message appears.

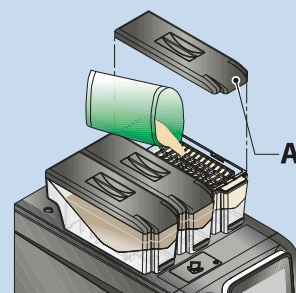
1



Coffee beans:

1. Open the coffee container lid (A).
2. Fill the container with coffee beans.

2



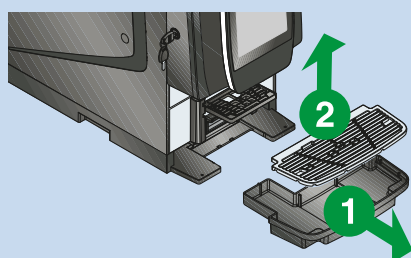
Instant products:

1. Open the instant powder container lid (A).
2. Load the container without compacting the instant powder.

Tray cleaning

i This operation can be performed at any time or after the error message appears.

1

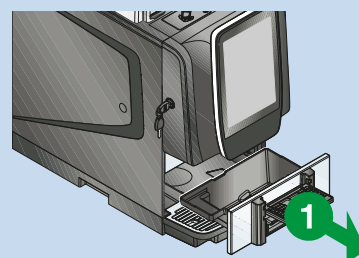


Cleaning the liquid residue tray:

! Do not wait for the liquid tray to fill up. Rather, empty it periodically.

1. Remove the tray
2. Remove the grill.
3. Empty and wash the tray.
4. Reposition the tray.

2



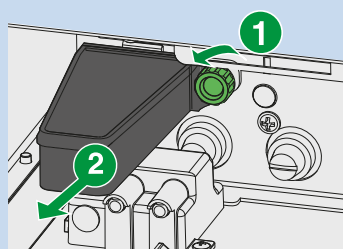
Cleaning the solid residue tray:

1. Remove the solid residue tray.
2. Empty and wash the tray.
3. Reposition the tray.

i When the tray is repositioned, the error message is automatically reset ("Smart reset").

Cleaning of liquid conveyor

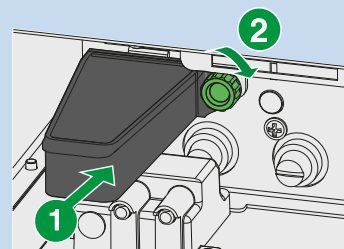
1



To access the liquid residue conveyor, remove the residue trays (liquid and solid):

1. Unscrew the fastening bolt
2. Pull the conveyor to remove it from the couplings
3. Wash the conveyor with a detergent solution and remove any residue with pipe cleaners and/or brushes
4. Rinse and dry the conveyor

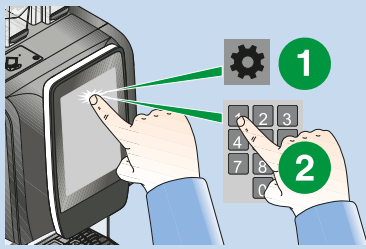
2






1. Fit the conveyor onto the couplings
2. Screw in the fastening bolt
3. Reposition the residue trays (solid and liquid)

"Daily actions" function

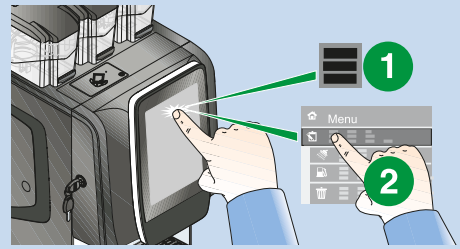
1

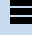



  **Write down the programmed access password**

1. From the selection screen, tap  to access the menu
2. Enter the programmed password

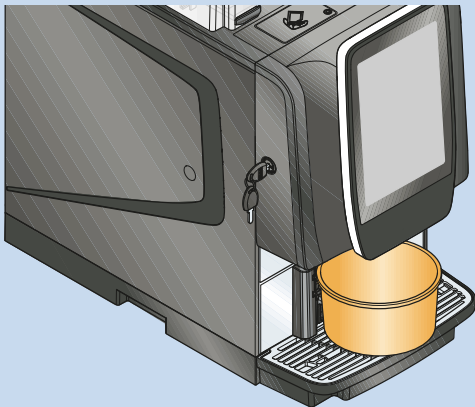
2



1. To access the menu tap 
 2. Tap the "Daily actions" function.
- From the "Daily actions" function it is possible:
- Reset the solid residues; the machine is equipped with a "Smart reset" function that automatic that automatically resets the residues.
 - Start washing and/or rinsing.
3. Access the desired function
 4. To exit the menu tap 

Washing functions

1



Guided cleaning must be performed at the end of each service, or more frequently, depending on the use of the appliance.



Washing cycles do not replace the need to dismantle components regularly for cleaning.
Place a receptacle under the nozzles as indicated in the guided sequence on the display.

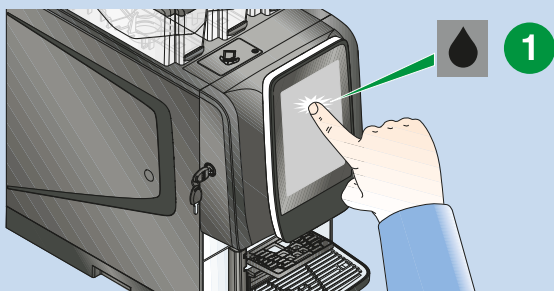


Access to the washing functions varies depending on the configuration set:


- **STANDARD** for operator workstations.
- **SELF** for self-service workstations.

In STANDARD mode, follow the instructions in 2a.
In SELF mode, follow the instructions in 2b.

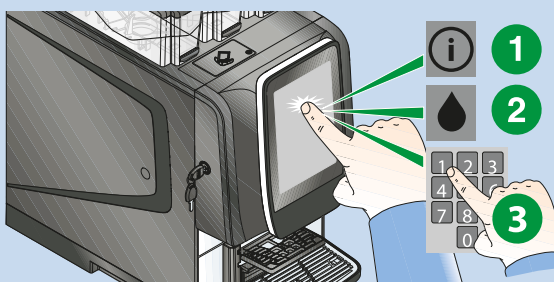
2a





Access to wash/rinse menu "STANDARD" mode

1. From the selection screen, tap 
2. Choose the wash or rinse to be performed
3. Follow the instructions on the display

2b



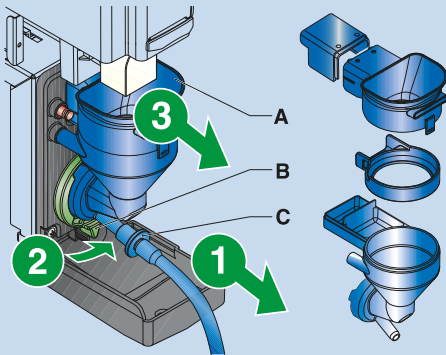
Access to the "SELF" mode wash/rinse menu

1. From the selection screen, tap 
2. Then tap 
3. Enter the programmed password
4. Choose the wash or rinse to be performed
5. Follow the instructions on the display

Cleaning mixers, nozzles and dispensing spouts

i Perform these operations weekly, or more frequently, depending on the use of the appliance.

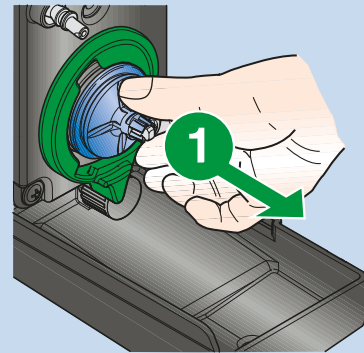
1



Remove the mixer:

1. Disconnect the tube (C) from the mixer.
2. Turn the lever (B) anticlockwise.
3. Remove the mixer (A).
4. Separate all mixer components.

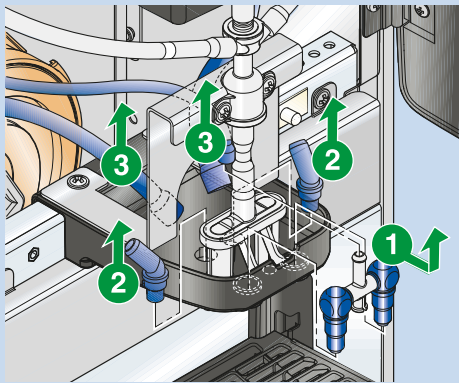
2



Remove the mixer:

1. Pull the blender fan to remove it.

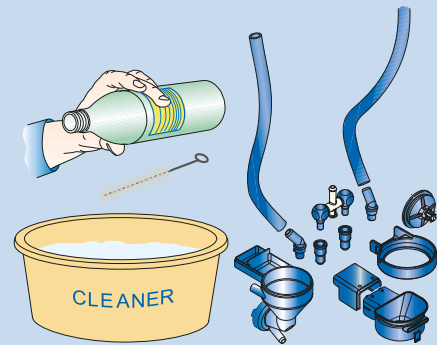
3



Remove the nozzles:

1. Disconnect the flow divider nozzle from the nozzle holder.
2. Remove the nozzles of the instant beverages.
3. Disconnect the tubes from the instant beverage nozzles and the flow divider nozzle.

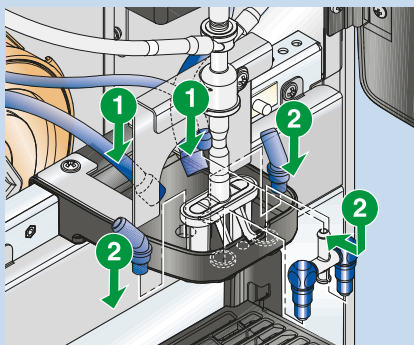
4



Wash the components

1. Wash all components with a detergent solution. Visible residues and films must be removed mechanically using brushes and/or scouring pads.
2. Rinse the parts thoroughly under running water.
3. Dry all parts thoroughly, especially the mixer. For the dispensing spouts (if present), use a cloth soaked in detergent solution to remove any residues.

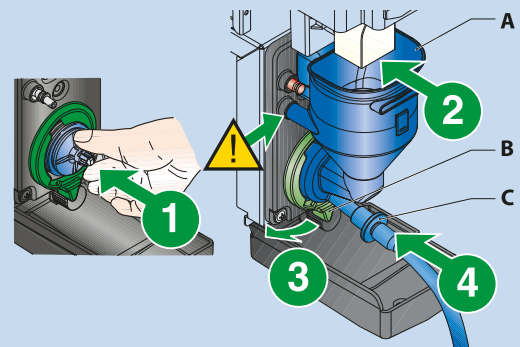
5



Reassemble the nozzles:

1. Reconnect the tubes to the instant beverage nozzles and the flow divider nozzle.
2. Reposition the flow divider nozzle and the instant beverage nozzles.

6



Reassemble the mixer:

1. Reposition the blender fan and push it to lock it into place.
2. Reassemble all mixer components (A) and take care to insert the water funnel correctly.
3. Turn the lever (B) clockwise to secure the mixer to the unit.
4. Reconnect the tube (C) to the mixer.