

G 100 - USA- .
00 - PREVENTIVE MAINTENANCE PLANS .

G 100 -USA- maintenance plan

HOW TO USE THE KITS								
Cycles	25,000 (or 12 months)	50,000 (or 24 months)	75,000 (or 36 months)	100,000 (or 48 months)	125,000 (or 60 months)	150,000 (or 72 months)	175,000 (or 84 months)	200,000 (or 96 months)
Reference kit	KIT A	KIT B	KIT A	KIT B	KIT A	KIT B	KIT A	KIT B

 **MACHINE WITH Z4000 N.E.**

KIT A: MAINTENANCE AFTER 25000 CYCLES (OR 12 MONTHS)..... 

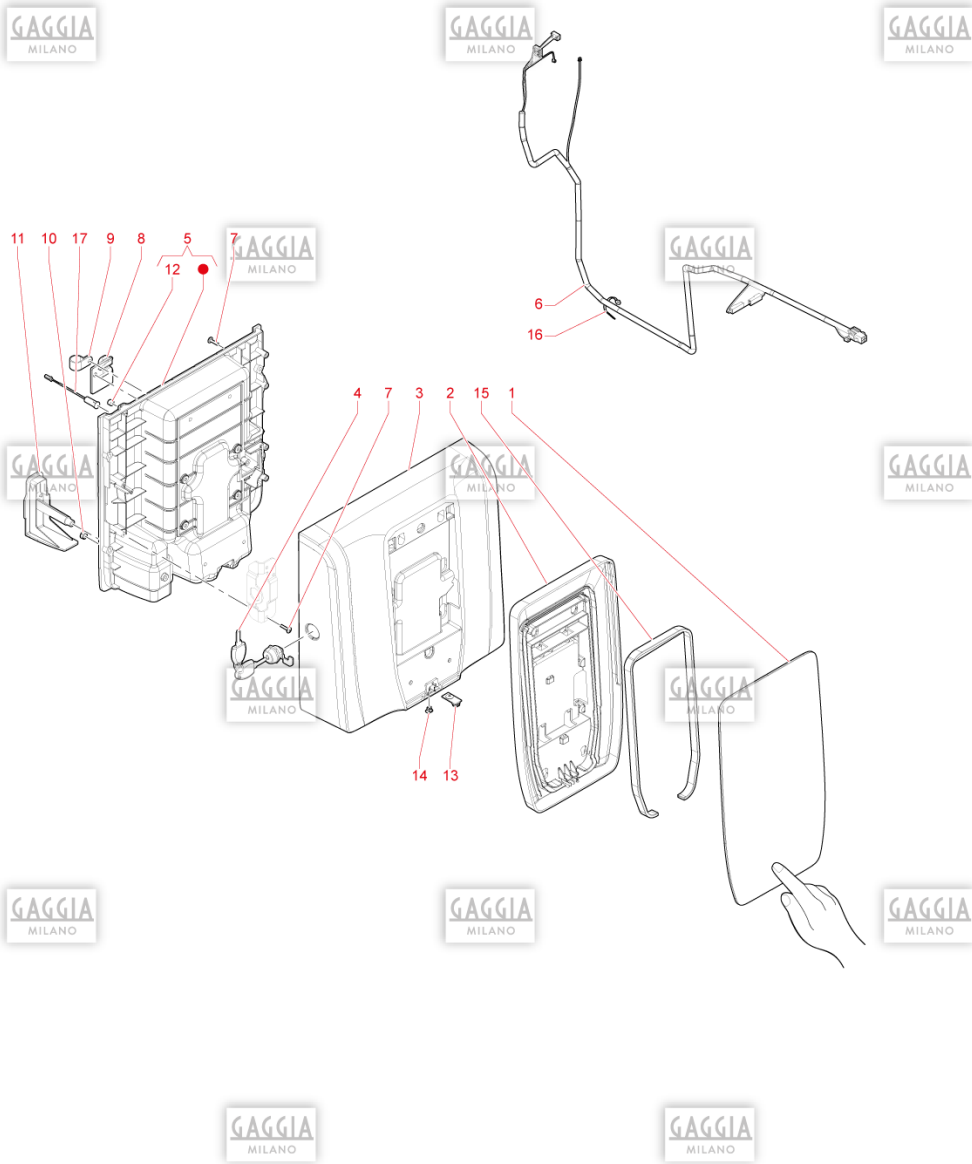
KIT B: MAINTENANCE AFTER 50000 CYCLES (OR 24 MONTHS)..... 



To find out the composition of each kit visit our "download" section.

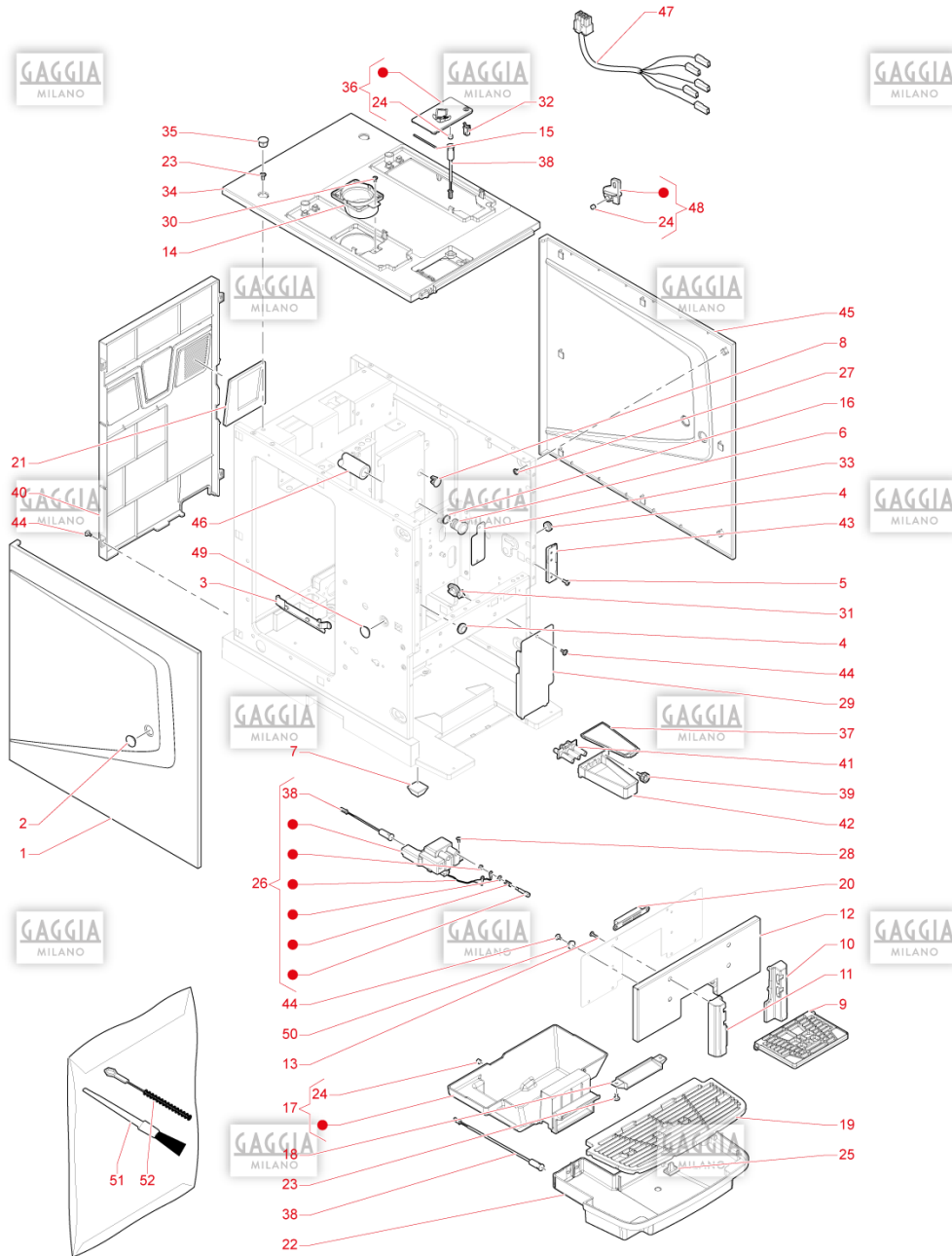
Pos.	Code	Replaced By	Description
01	266883		MAINT.KIT_25000_Z4000 N.E._LABRILLANTE/KOMETA
02	267108		MAINT.KIT_50000_Z4000 N.E._KOMETA USA

**G 100 - USA-
01 - DOOR**



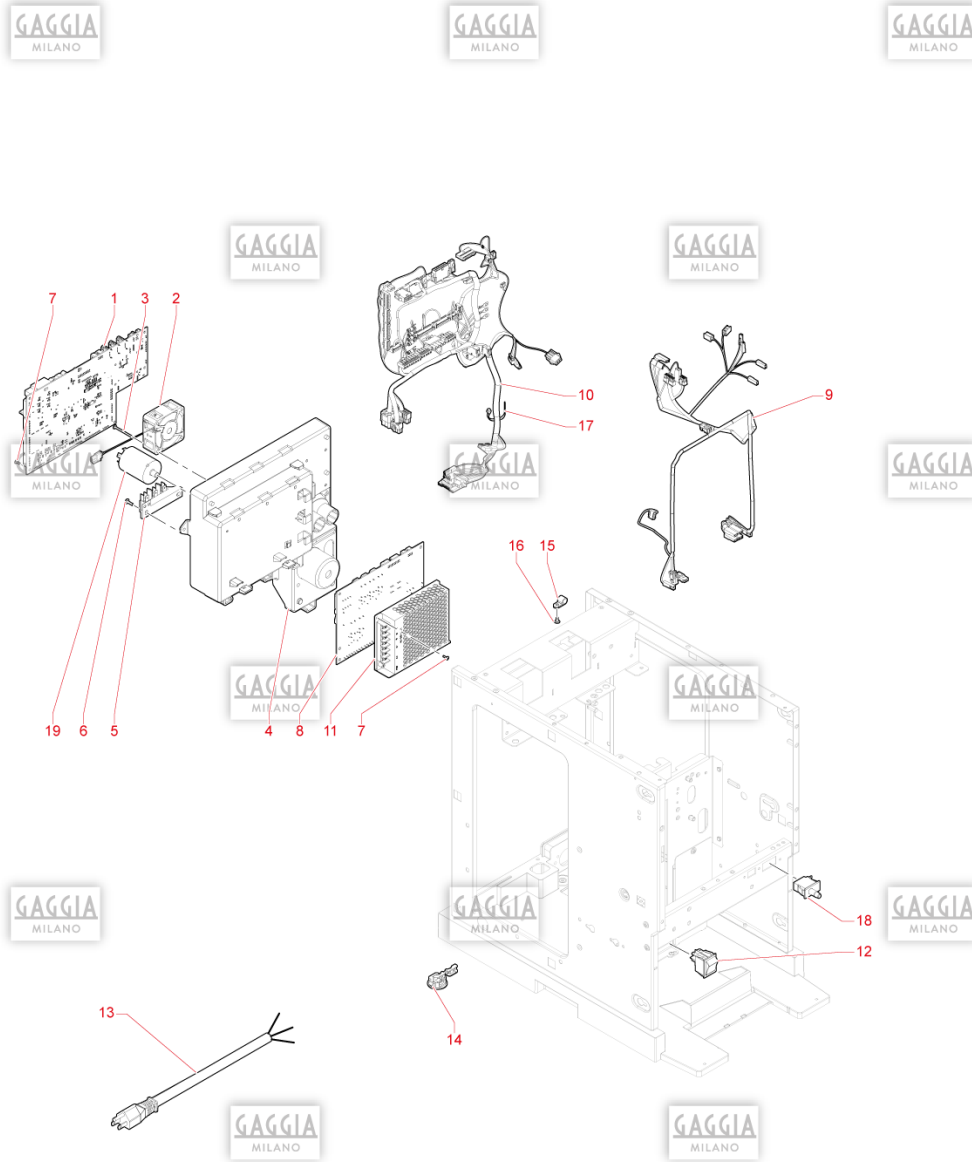
Pos.	Code	Replaced By	Description
1	267504		7" TOUCHSCREEN ASSEMBLY
2	266050		DOOR LIGHTING FRAME
3	266056		DECORATIVE FRONT
4	252137		DOOR LOCK
5	265979		DOOR STRUCTURE
6	267038		DOOR WIRING
7	258628		SELF-TAPPING SCREW. 4X15
07	258628		SELF-TAPPING SCREW. 4X15
8	266051		COVER FOR DOOR WIRING
9	259829		CABLE CLIP
10	266052		DOOR SCREW CAP
11	266034		WATER WAND ZONE DOOR CAP
12	0V3126		MAGNET - ALL M/C
13	257345		LED SPOTLIGHT BOARD
14	262554		DISPENSING COMPARTMENT LED GLASS SHEET
15	266070		RGB LED STRIP
16	41001001		TIE 2.5X100 MM
17	266069		CYLINDER SENSOR - LB/KOM

**G 100 - USA-
02 - CABINET**



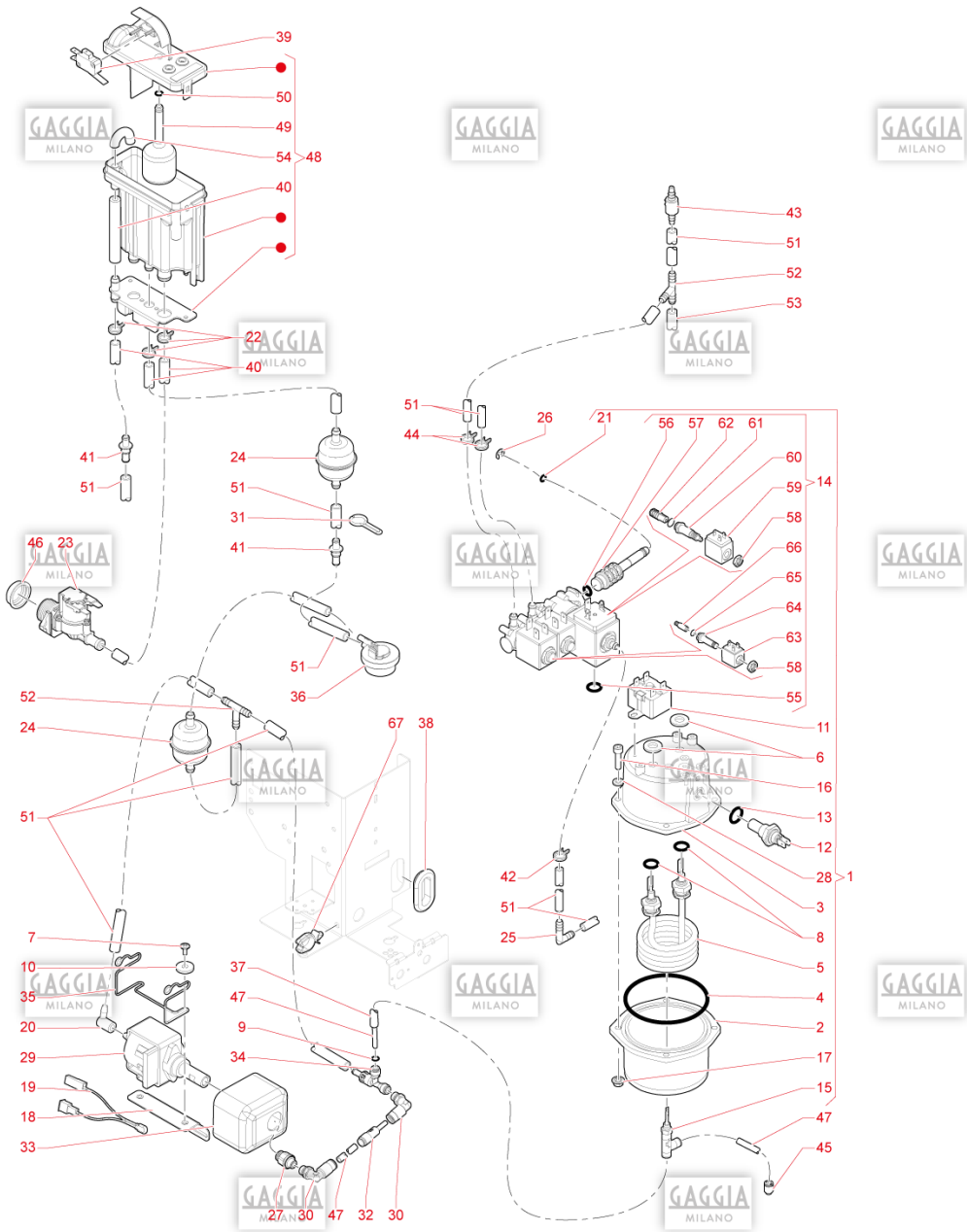
Pos.	Code	Replaced By	Description
1	266268		CABINET LEFT SIDE
2	266038		MOVABLE SIDE CAP - KOM/LB
3	266054		DEFLECTOR
4	0V2127		RUBBER BUSHING D.10
5	255493		SCREW M4X10
6	266061		FLANGE FOR SUCTION PIPE
7	267560		ADHESIVE FOOT
8	256163		CAP -BLACK-
9	265902		CUP GRILL - KOMETA/LB
10	265900		RIGHT-HAND GUIDE - KO/LB
11	265901		LEFT RAIL X FLAP - KOM/LB
12	266076		DISPENSING COMPARTMENT ASSY
13	258628		SELF-TAPPING SCREW. 4X15
14	266037		COFFEE CONVEYOR - KOM/LB
15	266032		PIN FOR DECAFFEINATED CHUTE COVER
16	095623		GASKET O-RING - KREA/SOLISTA
17	266075		COFFEE CONTAINER ASSY-KOM/LB
18	266043		COFFEE GROUND CONTAINER-LB/KOM
19	266044		LIQUID CONTAINER GRILL-KOM/LB
20	253323		MAGNET
21	266257		FAN GASKET ASSEMBLY
22	265904		NOW USE 265903 FOR UK
23	255029		SCREW M4X10
24	0V3126		MAGNET - ALL M/C
25	265898		LIQUID TRAY FLOAT - KOMETA
26	266226		REED BOX/SENSOR ASSY - KOM
27	260448		FLANGED SCREW M4X6
28	255724		SELF-TAPPING SCREW 4X8
29	266030		HOLE COVER -WITHOUT TANK VERSION-
30	987628		EJOT-PT-SCREW 3X8
31	252968		CABLE RETAINER
32	266059		CUP STOP - G100 / LB / KOM
33	266224		PUMP HOLE CLOSURE
34	266450		MOVABLE LID - ES+2IN- VERSION
35	266036		CAP FOR MOVABLE LID-LB/KOM
36	266072		DECAFF. CHUTE ASSY-LB/KOM
37	266053		WASTE CHUTE COVER - LB/KOM
38	266069		CYLINDER SENSOR - LB/KOM
39	252384		KNOB M4X10
40	267675		MOBILE BACKREST ASSEMBLY -GAGGIA-
41	266046		WASTE PLATE - KOM/LB
42	266045		WASTE COLLECTOR - LB/KOM
43	266080		DOOR HINGE
44	255028		HINGE SCREW - SN/KAR/7100/9100
45	266269		CABINET RIGHT SIDE
46	258474		CORRUGATED PIPE D.16.5
47	267036		SKY WIRING
48	266074		DOOR MAGNET KEY- LB/KOM
49	266225		MOBILE SIDE CAP -POLISHED-
50	266062		BUSHING PROTECTION COMPARTMENT
51	267219		CHOCKED BRUSH
52	266695		BRUSH L=150MM X TUBES D=4MM

**G 100 - USA-
03 - ELECTRIC SYSTEM**



Pos.	Code	Replaced By	Description
1	266083		ACTUATION BOARD ASSY - LB/KOM
2	266071		24V MOTOR FAN - LB/KOMETA
3	259373		SELF-TAPPING SCREW 3.5X35
4	265899		ELECTRICAL BOX
5	266064		3-POLE TERMINAL BLOCK
6	255034		SELF TAPPING SCREW - M4X12
7	987628		EJOT-PT-SCREW 3X8
8	266084		POWER SUPPLY PCB - KOM/LB
9	267037		FRONT WIRING
10	267035		GENERAL WIRING
11	266616		ALIMENTATORE LRS-100-24
12	267911		INTERRUTTORE BIPOLARE LUMINOSO
13	265661		POWER CABLE 3X14 AWG USA UL
14	097851		CABLE FASTENING
15	262608		BACK COLLAR
16	255724		SELF-TAPPING SCREW 4X8
17	090148		CLIP
18	988070		DOOR CONTACT SWITCH
19	267112		NETWORK FILTER

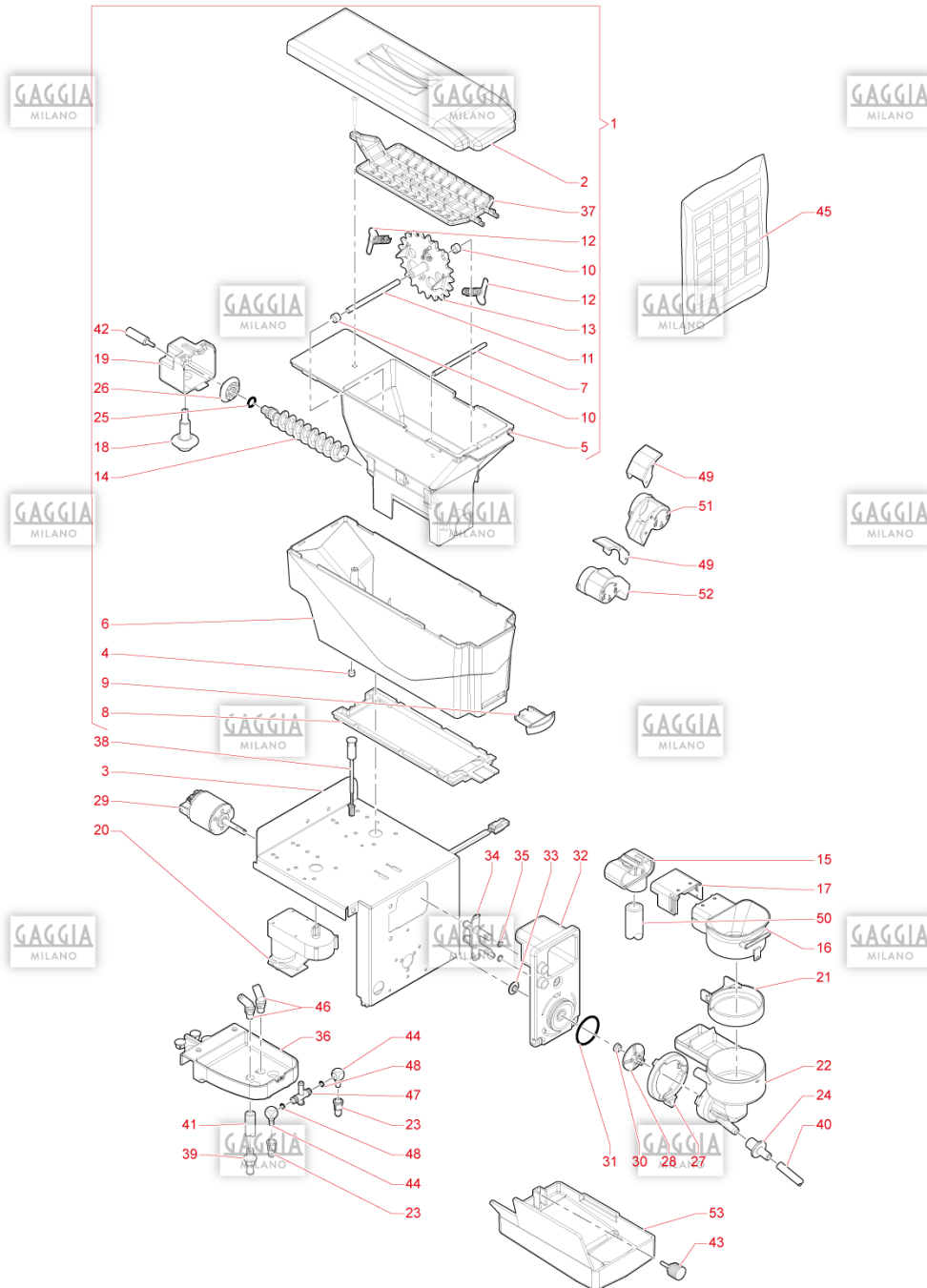
**G 100 - USA-
04 - HYDRAULIC SYSTEM**



Pos.	Code	Replaced By	Description
1	267039		BOILER ASS. 600CC STAINLESS STEEL 1100W 120V 3EV+NOZZLE 3+2+
2	256880		LOWER BOILER COVER - AS/GM/SO
3	257338		TOP CAP 600CC BOILER TANK-INOX
4	099748		BOILER GASKET - 600CC
5	0V0685		1100W-120V RESISTANCE
6	254710		ELASTIC BENT WASHER
7	255029		SCREW M4X10
8	254711		GASKET O-RING112 2.62X9.92-HEATING ELEMENT-
9	260042		O-RING 1.5X5.5
10	093091		PUMP DAMPER
11	0V1385		SINGLE-POLE THERMOSTAT 125 G.120V
12	259898		NEW TEMPERATURE PROBE
13	095624		GASKET O-RING 116 EP851
14	266228		GROUP 3EV. 24V 2+2+3-WAY - KOM
15	259080		T-SHAPED CONNECTOR 6-1/8+TUBE-DOUBLE SEAL-
16	255041		SCREW M6X25
17	255042		NUT M6
18	266081		PUMP BRACKET ASSEMBLY
19	0V1301		110 DEGREES THERMAL OVERLOAD
20	252021		PIPETTE
21	094611		BOILER GASKET - Z2000
22	095515		HOSE CLIP DIAM 14
23	265978		WATER INLET VALVE - LB/KOM
24	097435		WATER FILTER VOL. COUNTER
25	256920		UNION 'L' D.8
26	093171		OUTER FIXING COLLAR DIAM MM6
27	263425		G1/8 Ø6 STRAIGHT QUICK FITTING
28	259161		WASHER - ALL M/C
29	251275		PUMP EP5 120V 60HZ PLASTIC -BLACK BODY-
30	263427		L-SHAPED QUICK FITTING
31	093957		TUBE CLAMP
32	266400		NONE RETURN VALVE
33	256666		PUMP CAP - ALL M/C
34	267190		BY-PASS -7BAR-
35	266033		PUMP SUPPORT
36	258625		VOL. CNTR D.1.8 -WHITE-OP/91E-
37	097685		SILICONE HOSE BROWN 7,5X12
38	098600		CHOCK
39	0V1141		MICROSWITCH
40	097512		SILICONE HOSE 6X12 BROWN
41	0V2058		BRACKET WATER CONNECTION
42	258815		PIPE CLAMP COLLAR
43	258779		CHECK VALVE - OP/KA/KAR/LR
44	094329		HOSE CLIP
45	262537		FEMALE CAP D.6
46	099815		STOPPER
47	252658		TEFLON PIPE 3X6 (A METER)
48	266085		AIR-BREAK ASSEMBLY
49	259796		AIR-BREAK TANK FLOAT L=95
50	0V0782		O RING - Z4000 BREWER
51	097510		SILICONE HOSE 5X9 BROWN
52	094231		UNION T-SHAPE - ALL M/C
53	254565		SILICONE HOSE 5X9 -BLUE-
54	0V1749		AIR BREAK CONNECTOR - ALL M/C
55	252538		O-RING 2025
56	264015		GASKET OR2031 SOLENOID VALVE BODIES
57	261879		SOLENOID VALVE GROUP WAND

58	259402		COIL FASTENING NUT
59	255571		LARGE COIL - KR/SO/OP/KA/LR
60	298093		COFFEE-VALVE CONNECTION PIPE
61	298192		OR 2026 SEAL
62	099472		LEFT SCREW GALVANIZED
63	257106		VALVE COIL - OP/9100/KR/SO/LR
64	258874		2 WAY VALVE PIE - KR/CA/LR/91
65	099059		VALVE-BUSH-GASKET
66	099058		NUCLEUS INSTANT-E.V.
67	252968		CABLE RETAINER

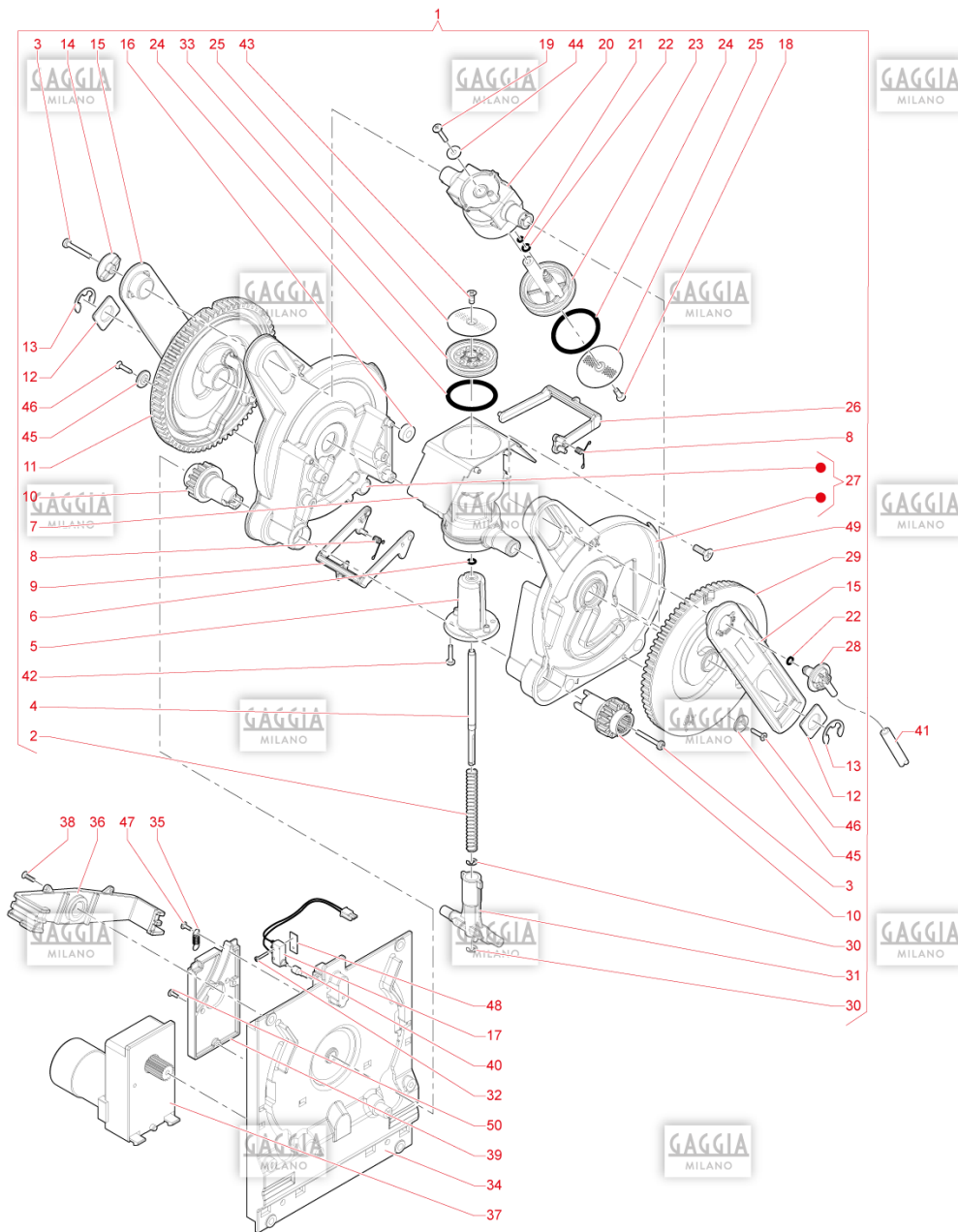
**G 100 - USA-
05 - MIXER AND CANISTER**



Pos.	Code	Replaced By	Description
1	267040		CONTAINER ASSEMBLY 2 INSTANT
2	265952		CANNISTER COVER - LB/KOMETA
3	266259		SUPPORT ASSEMBLY WITH RESISTANCE -2IN-
4	0V3126		MAGNET - ALL M/C
5	265954		INNER CONTAINER
6	265953		OUTER CONTAINER
7	265962		CONTAINER PIN
8	265960		SOLUBLE CONTAINER LOCK
9	265955		SOLUBLE DAMPER HANDLE
10	265957		SPROCKET SPACER
11	265958		SPROCKET PIN
12	265948		SCRAPER SPRING
13	265956		TOOTH WHEEL
14	266176		AUGER L.140
15	266040		FLANGE FOR SUCTION PIPE
16	259437		MIXER FRONT COVER - LB/KOMETA
17	259436		MIXER REAR COVER
18	0V2527		PINION
19	256307		SUPPORT POWDER. CONTAINER PINION
20	256355		INGREDIENT MOTOR - LS/LR/LB
21	255284		MIXER RING
22	259438		MIXER BODY - LB/OP
23	266752		COFFEE AESTHETIC NOZZLE'
24	253267		MIXER NOZZLE - KO/SOL/KRE
25	252662		GASKET O-RING 109-NSF-
26	0V2525		GEAR
27	253998		MIXER RING NUT - CA/KR/SO/KR
28	253991		MIXER WHEEL - CA/KR/SO/KR/OP
29	259398		WHIPPER MOTOR - KR/OP
30	259612		V RING - 5100/7100/KR/CA/OP
31	253985		GASKET OR 3137
32	253990		MIXER SUPPORT - CA/KR/SO/LB
33	39733800		O RING - 7100/FER/9100
34	254689		SINGLE MAGENTA NOZZLE (9-11CC)
35	253984		GASKET OR 2021
36	266048		DOUBLE COFFEE NOZZLE SUPPORT
37	267042		SOLUBLE CONTAINER GRID
38	266069		CYLINDER SENSOR - LB/KOM
39	0V2058		BRACKET WATER CONNECTION
40	254565		SILICONE HOSE 5X9 -BLUE-
41	097685		SILICONE HOSE BROWN 7,5X12
42	262843		SAW TOOTH SCREW M4X10 -AISI-
43	266060		KNURLER M4X16 BLACK
44	256314		COFFEE NOZZLE WIDE
45	097502		CANNISTER LABEL - ALL M/C
46	255117		SOLUBLE POWDER NOZZLE
47	256315		DIVERTER COFFEE NOZZLE
48	094611		BOILER GASKET - Z2000
49	266175		POWDER CONVEYOR COVER
50	258474		CORRUGATED PIPE D.16.5
51	266173		RIGHT DUST CONVEYOR
52	266174		LEFT DUST CONVEYOR
53	267008		-2 IN- MIXER BOWL

Pos.	Code	Replaced By	Description
01	298146		GRINDER COLLAR
2	298149		GRINDER HOLDER
3	095805		GASKET O-RING
4	252378		LEFT-HAND SCREW THREADAISI 303
5	099471		SPRING
6	095840		GRINDER BLADE - ALL M/C
7	252918		SCREW 4X10 -INOX-
8	252917		SCREW -INOX-
9	252916		WASHER -INOX-
10	298145		GRINDER-HOLDER FAN
11	298155		RADIAL BEARING - ALL M/C
12	093171		OUTER FIXING COLLAR DIAM MM6
13	261213		BRUSHES
14	099457		RUBBER WASHER GRINDER - 9100
15	099474		REGULATION SCREW
16	298148		GRINDER CAP -1 COFFEE-
17	251778		FEELER BOARD - KO/71/SO/OP/91
18	298151		PULLEY ASSEMBLY - GRINDER
19	298143		SCREW M5X16
20	298147		REDUCER BODY
21	255029		SCREW M4X10
22	298152		GRINDER BELT - CA/KR/OP/91/LR
23	298144		BELT SLIDE
24	267041		COFFEE HOOD ASSEMBLY
25	258805		DOUBLE GRINDER PIN
26	099484		LITTLE RUBBER
27	256138		ANTICLOCKWISE BELT GRINDER MOTOR-120V 60HZ
28	090148		CLIP
29	255491		WASHER 4.3X12
30	257058		SCREW TSPC-H M3X6
31	256140		ANTICLOCKWISE GRINDER STD.-120V 60HZ
32	266042		SINGLE COFFEE CHUTE-VERSION WITHOUT DOSER-
33	265817		COFFEE CONVEYOR
34	251961		COFFEE EXIT SHUTTER
35	266069		CYLINDER SENSOR - LB/KOM
36	266041		DECAFFEINATED CHUTE
37	257157		EARTH WIRING GRINDER SHELF
38	266452		-ES+2IN- GRINDER COVER
39	266058		RIVET KNOB
40	266057		RIVET
41	265951		COFFEE DAMPER HANDLE
42	258723		GRINDER WIRING -UL-
43	265950		COFFEE BELL DAMPER
44	0V3126		MAGNET - ALL M/C
45	265952		CANNISTER COVER - LB/KOMETA
46	267044		COFFEE HOOD
47	267043		COFFEE HOOD SCREEN
48	267045		THREADED BUSHING
49	255037		SCREW M3X14 -INOX-

**G 100 - USA-
07 - COFFEE UNIT Ø46**



Pos.	Code	Replaced By	Description
1	255081		Z4000 BREWER - BLUE - CA/LR/MA
2	098688		PISTON RETURN SPRING - BREWER
3	255031		SELF-TAPPING SCREW 4,2X26
4	255082		PISTON ROD - 255081 - CANTO
5	254669		BOTTOM D.46
6	0V0782		O RING - Z4000 BREWER
7	254668		BREWING CHAMBER D.46
8	254328		SCRAPER SPRING - Z4000
9	254677		UPPER SCRAPER D.46
10	262496		PINION
11	254675		LEFT CRANK D.46
12	254654		GUIDE SLIDING BLOCK-Z4000-LR
13	096569		FIXING COLLAR DIAM 12
14	254655		UPPER PISTON KEY
15	254665		CONNECTING ARM - BREWER
16	099457		RUBBER WASHER GRINDER - 9100
17	298173		SWITCH & HARNESS - Z4000
18	259503		SCREW M4X12 -STAINLESS STEEL-
19	256493		SCREW SELF-TAPPING 4X20
20	254671		UPPER PISTON CROSS-PIECE D.46
21	254650		GASKET - Z4000
22	094611		BOILER GASKET - Z2000
23	254672		UPPER PISTON D.46
24	251757		SILICONE OR SEAL GASKET
25	251755		COFFEE FILTER-DIA 42-Z3/4000
26	254676		LOWER SCRAPER D.46
27	254678		RH-LH BREWER SUPPORT D.46
28	254795		COFFEE DISPENSING SPOUT-Z4000
29	254674		RIGHT CRANK D.46 -Z4000-BREWER
30	098818		STOPPING RING D.4
31	254670		PISTON ROD GUIDE D.46
32	09004002		SCREW M2X12
33	255083		LOWER PISTON MEDIUM
34	256326		PLATE Z4000 NE
35	253220		LEVER SPRING - ALL M/C
36	254805		Z4000 D.46 GROUP COUPLER
37	254552		BREWER MOTOR - CA/KR/KAR/LR
38	258628		SELF-TAPPING SCREW. 4X15
39	256410		REINFORCEMENT GROUP+SUCTION PLATE
40	255084		PIN - BREWER - Z4000 - 9100/LR
41	254566		SILICONE HOSE 3X6 -BLUE-
42	259058		SELF-TAPPING SCREW 4X16
43	261474		FILTER SCREW - M4X10 - Z4000
44	255491		WASHER 4.3X12
45	254667		RETAINER WASHER
46	264355		SCREW 4X16
47	987628		EJOT-PT-SCREW 3X8
48	30448800		MICRO FASTENING PLATE 7100
49	256198		SCREW AF MP TCBC-H-TZ 4.5X12
50	255034		SELF TAPPING SCREW - M4X12

