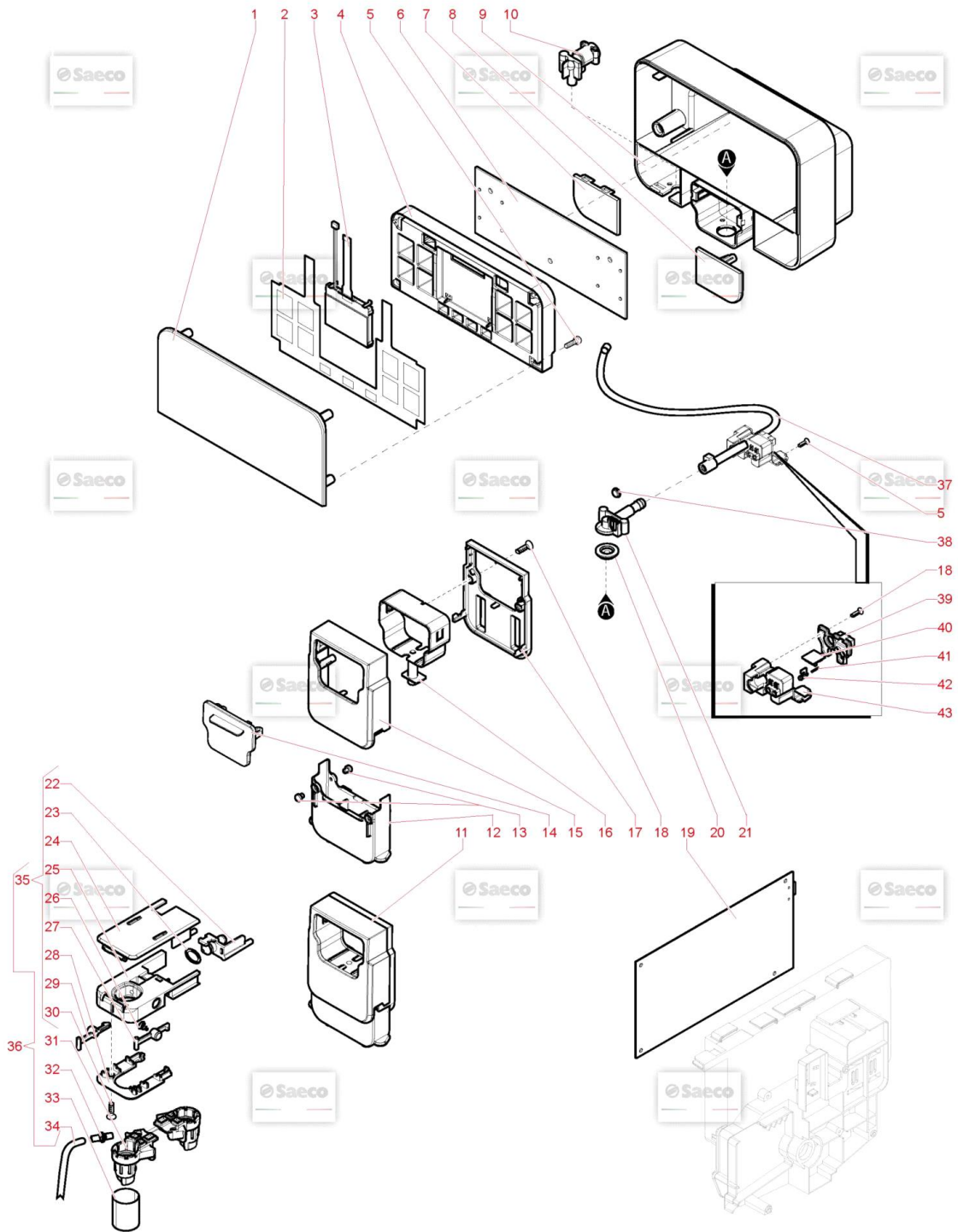


Pos.	Item	Repl. by	Description	Notes	Price (USD)
0001	263280		CABLE AL.USA SJTO UL L= 1200		
0002	0301.961		STICKER FOR WATER HARDNESS TEST		
0003	265794		LEFT FLANK UL		
0004	265795		UL FRONT		
0005	12001715		SCREW TCB TORX 20 M4X8 AUTOFORMING ZN-B		
0006	9991.093		MAGNET D= 9,5 X H= 1,5		
0007	263686		GROUNDS DRAWER		
0008	263685		LIQUID SURROUND		
0009	263665		RACK		
0010	17000991		RED FLOAT V2 FOR DRIP TRAY RYL		
0011	129914102		SCREW TSP TORX 10 3,5X12 PLAST.ZN-B		
0012	263672		USB SOCKET COVER		
0013	242212625107		POWER SWITCH - MAGIC		
0014	12001883		CUP SOCKET V3 EN 60320 C 13		
0015	11028204		BLACK SOCKET-SWITCH SUPPORT RYL UL		
0016	265792		BACKREST -USA-		
0017	265793		PORT EXTR.GRUP.UL		
0018	217762128				
0019	17000240		GREY MOUNTING PLATE INSERT RYL		
0020	11003661	265445	REED SENSOR MK3-1A66- BV16451		
0021	265788		UL BASEMENT		
0022	421324705256		FOOT - MAGIC		
0023	264941		SUPER COVERAGE. PACKAGING		
0024	264940		INTERNAL PACKAGING INSERT		
0025	263879		RY18_LIQ_TANK_ASS		
0026	265791		CON. IEC PR.VASCH.UL ASSEMBLY		
0027	263684		LIQUID TRAY		
0028	263697		GROUNDS DRAWER		
0029	264942		FRONT BOX PACKAGING		
0030	263917		MAGNETIC PLATE		
0031	0V3126		MAGNET - ALL M/C		
0032	263687		CAFFE' GROUP SUPPORT		
0033	129912521		SCREW TCB TORX 10 3,5X14 PLAST.SS		
0034	264939		PACKING EXTRACTION BAND		
0035	265667		NEW ROYAL BOX		
0036	264051		OTC RY18 STEAM CONDENSER ASSEMBLY		

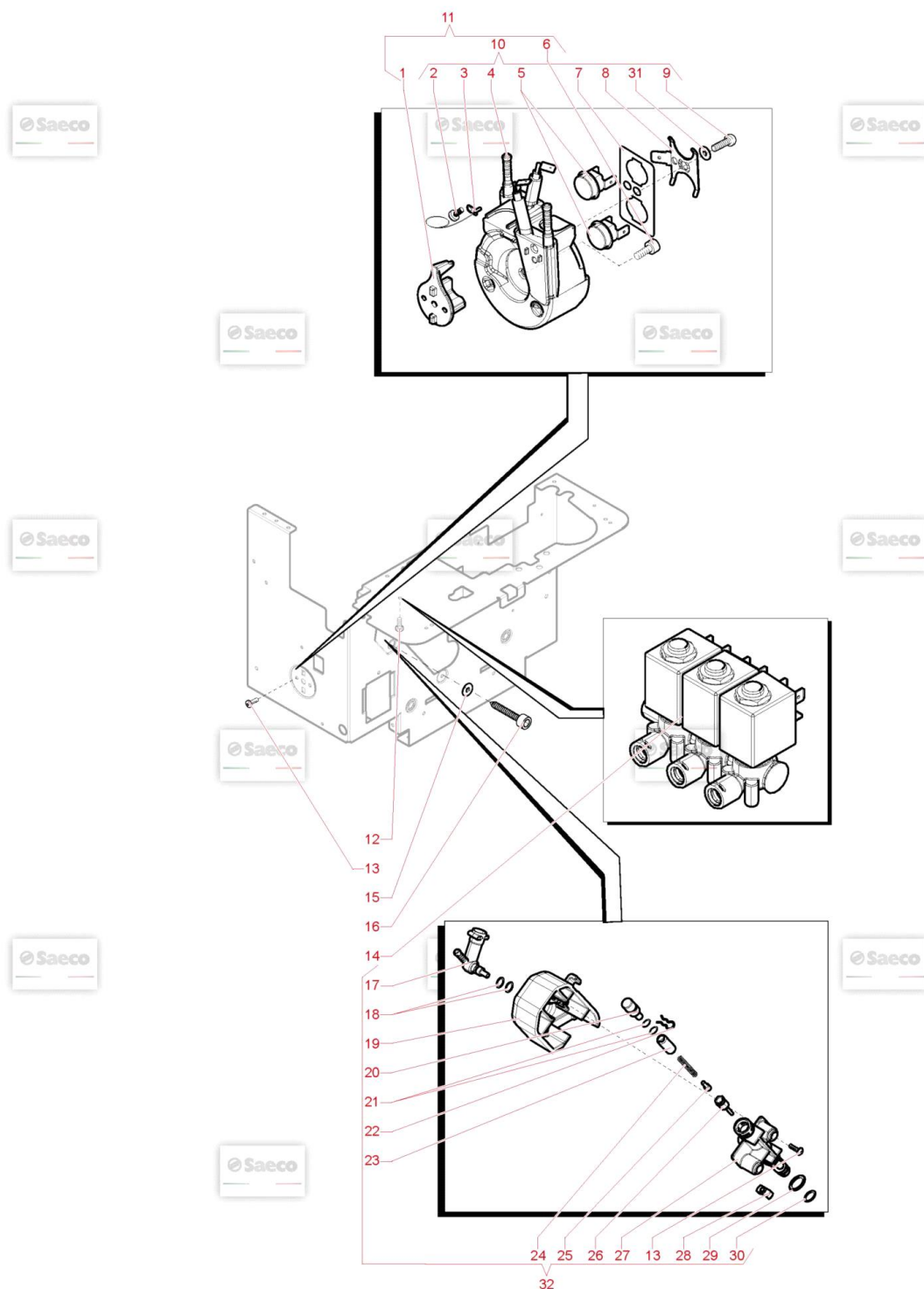


Pos.	Item	Repl. by	Description	Notes	Price (USD)
0001	263852		OTC RY18 TOUCH PANEL		
0002	421944061141		SELF -ADH.FLEXIBLE KYB NOCS		
0003	263245		LCD DISPLAY		
0004	421944061091		light guide Nocs		
0005	217762128				
0006	11034202		KBD_AREA		
0007	263691		LEFT FRONT COVER		
0008	263677		RIGHT FRONT COVERING		
0009	263676		CONTROL FRONT PANEL		
0010	421944065611		WATER DISPENSER NOCS		
0011	263882		RY18 COFFEE DISPENSER ASS.		
0012	263682		COF.DISP.MOB.PART		
0013	11013085		WHITE COFFEE DISPENSER SLIDERMYB9		
0014	11036785		BLACK.FRON.COFE.DISPEN.COVER RYL/T ASSY		
0015	263679		COFFEE DISPENSING FRONT COVER		
0016	263681		COFFEE DISPENSER BODY		
0017	263680		COFFEE DISPENSING REAR COVER		
0018	12000895	266781	SCREW TSP TORX 10 3X10 PLAST.SS		
0019	265789		CPR + FW 120V OTC ASSEMBLY		
0020	17000337		BLACK SEAL FOR COFFEE DISPENSER RYL		
0021	17000616		BLACK COFFEE DISPENSER TUBE RYL		
0022	17000785		BLACK CAPPUC.INPUT MILK CONNECTOR RYL		
0023	NM01.028		O-RING 106 SILICONE		
0024	17004098	54A048200	BLK UPPER CAPPUC.LID LASER.RYL		
0025	17000338		BLACK LEFT ENTRY CAPPUCCINAT.CASING RYL		
0026	263235		TAPER SPRING		
0027	17000402		GREY RIGHT CAPPUCCINATORE INSERT RYL		
0028	421941278272		BLK LOWER CAPPUCCINATORE LID V2 RYL		
0029	17000389		GREY LEFT CAPPUCCINATORE INSERT RYL		
0030	217761105		SCREW TSP 3X10 PLAST.INOX.		
0031	264210		MILK OUTLET - ROYAL		
0032	421944059361		MILK INTAKE+ OUTLET CONNECT.RYLV2		
0033	263953		PHE MILK OUTLET SUCTION METALCOVER		
0034	11029672		SILICONE TUBE 3,5X6 L= 500 MM		
0035	263956		CAPPUCCINO MAKER ASSEMBLY VERSION 2 BLACK SCREEN-PRINTED		
0036	264050		RY OTC CAPPUCCINO MAKER KIT		
0037	17000615		BLK CAPPUCCIN.OUTPUT STEAM CONNECTOR RYL		
0038	11014016		SS.INSERT FOR MAGNET MYB9		
0039	17000348		BLK CAPPUCCINATORE BOARD SUPP.COVER RYL		

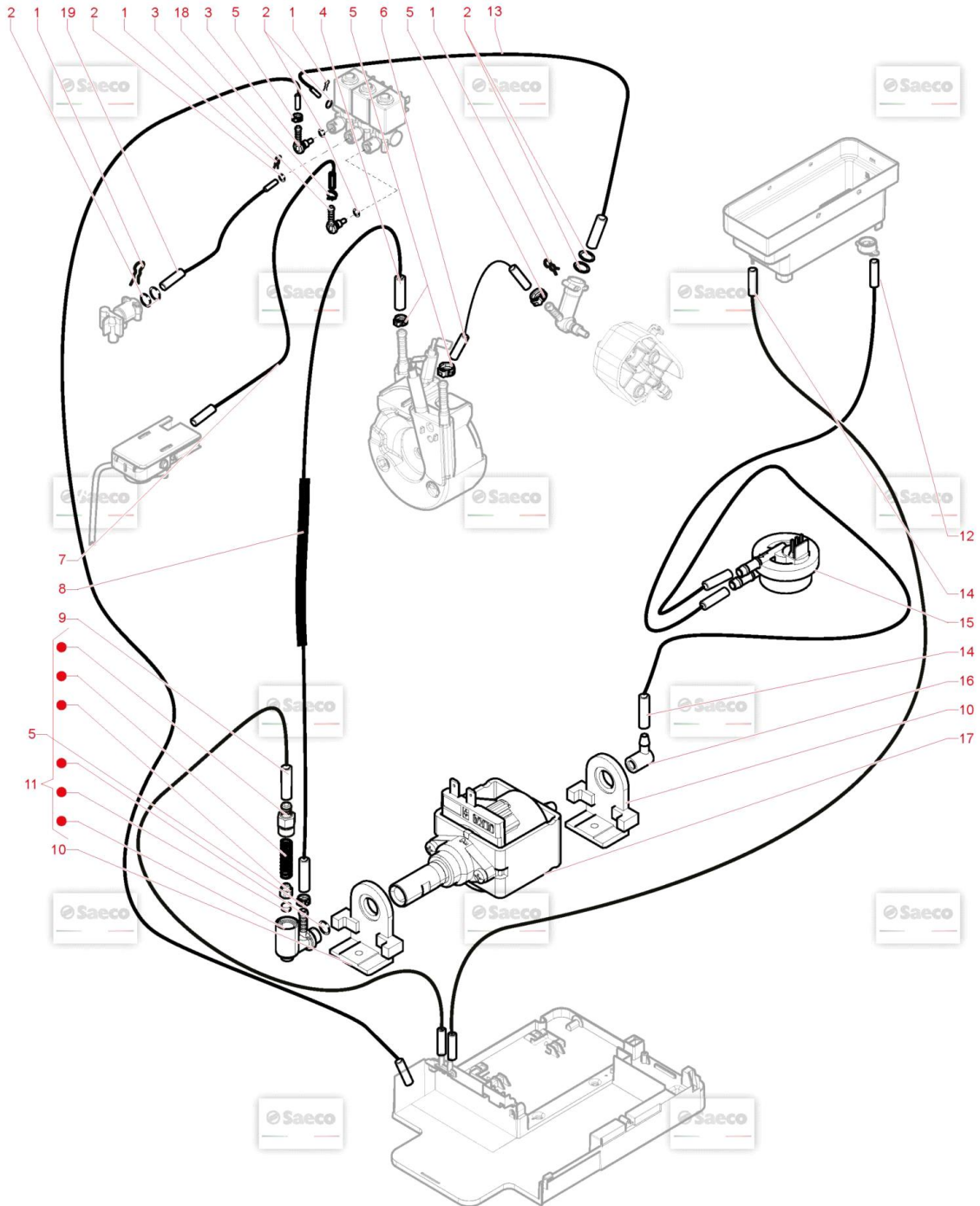
Pos.	Item	Repl. by	Description	Notes	Price (USD)
0040	11025772		CAPPUCCINATORE BOARD RYL		
0041	17000019		SS CARAFE MICRO INSERT SPRINGMYB9		
0042	17000421		BLACK CAPPUCCINATORE PRESENCEINSERT RYL		
0043	17000339		BLACK CAPPUCCINATORE BOARD SUPPORT RYL		



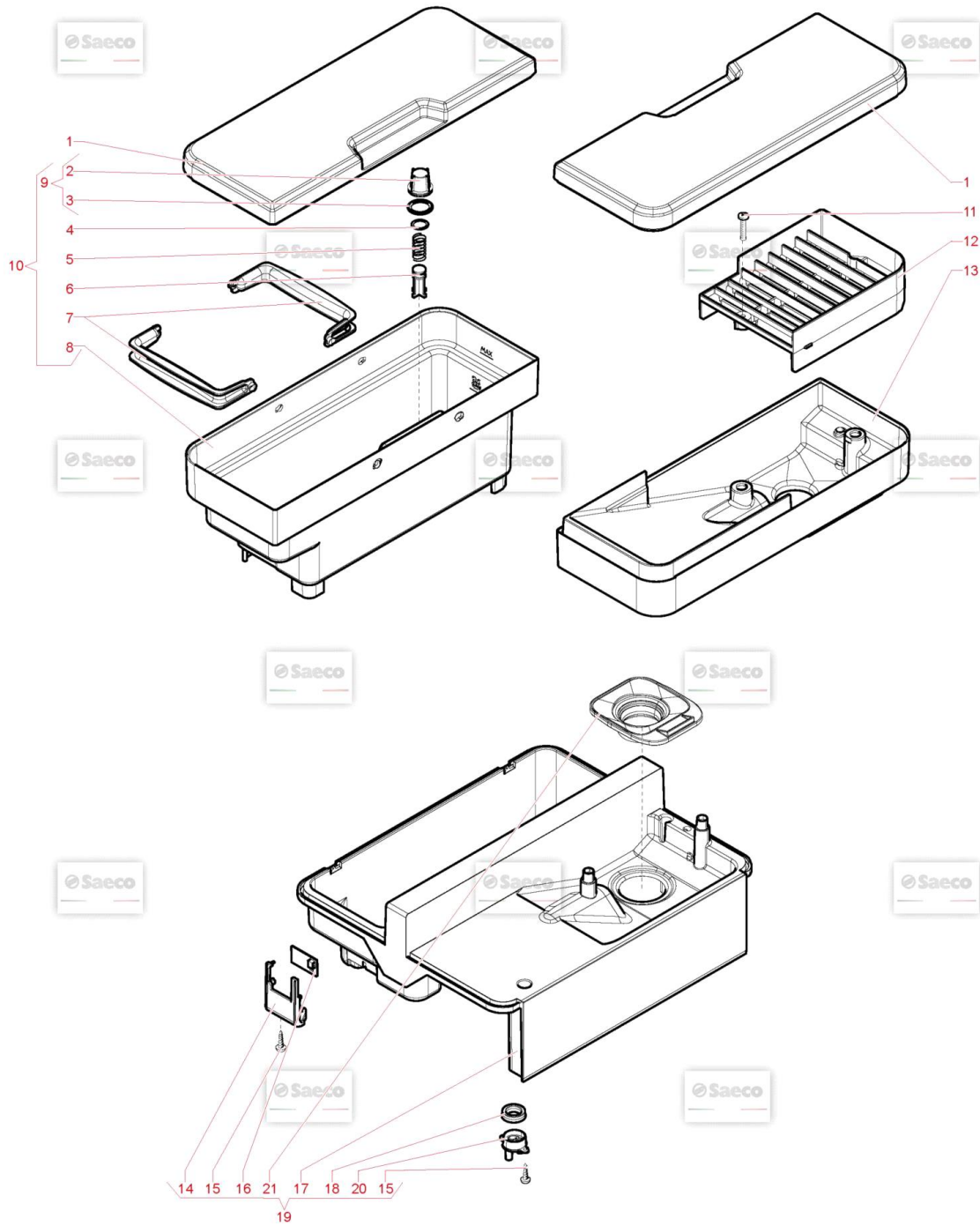
New Royal OTC 120V Solenoid Valves/Boilers



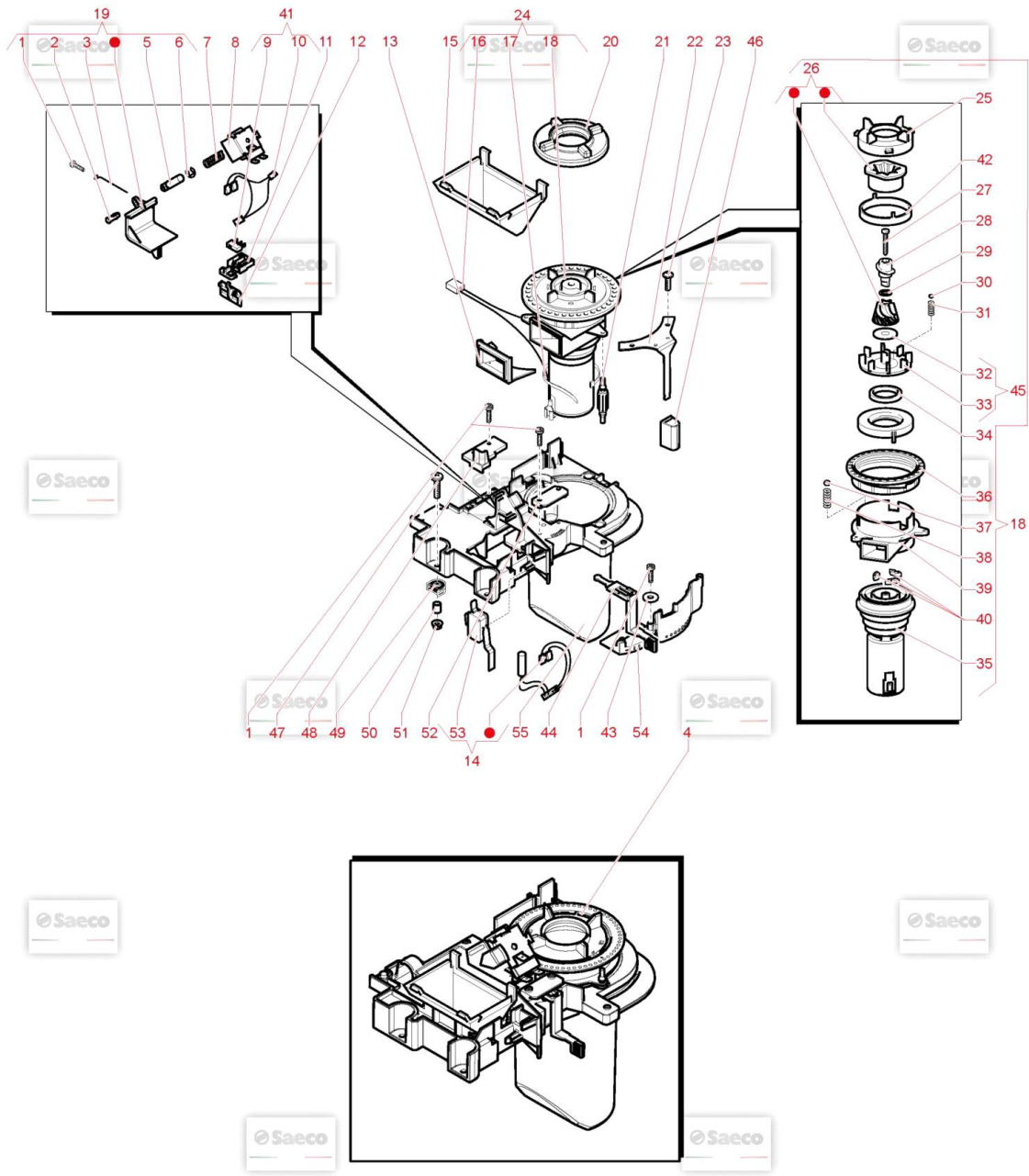
Pos.	Item	Repl. by	Description	Notes	Price (USD)
0001	421944057621		NEU SLIMTUB. BOILERS SUPPORT V2 MYB9		
0002	129573402		SCREW TAPT M4X10 DIN 7985 GALV		
0003	190800100		TEMPERATURE SENSOR - MAGIC		
0004	421944046121		TUB. BOILER XS4 1300W 120V ASSY.		
0005	12001033		THERMOSTAT 190 - MAGIC		
0006	12001280		SCREW TSP TORX 10 5X20 PLAST. ZN-B		
0007	265802		MYLAR THERMOSTATS AUL. EVO 120V		
0008	11001751		TUB. BOILER V3 UPPER THERM. FIXING SPRING		
0009	12001715		SCREW TCB TORX 20 M4X8 AUTOFORMING ZN-B		
0010	265800		BOILER. T. SLIM V2 C2 120 UL ASSEMBLY		
0011	265801		BOILER. TUB. XS4 1300W 120V ASSEMBLY		
0012	129913202		SCREW TCB TORX 10 3X8 PLAST. ZN-B		
0013	217762128				
0014	263955		3-WAY SOLENOID VALVE BLOCK ASSEMBLY		
0015	128310521		WASHER UNI 8842 A5 SS		
0016	11003555		GALVANIZED SELF-TAPPING SCREW 4,8X32		
0017	263690		ELBOW JOINT		
0018	140328059		O RING - MAGIC		
0019	17000156		BLACK HOT WATER PIN SUPPORT RYL		
0020	11026413		TEA/BRASS HOT WATER PIN PLUG RYL		
0021	140326662		OR ORM 0040-20 SILICONE		
0022	9011.144		SS FORK FOR TUBE D= 4		
0023	11009012		TEA/BRASS BOILER PIN BUSH		
0024	9011.132		SS SPRING FOR PIN		
0025	11009013	264936	TEA/BRASS PIN FOR PISTON L= 10		
0026	11009019		TEA/BRASS PISTON L= 20,9 ASSY.		
0027	9161.434		HOT WATER PIN		
0028	11005099		NATURAL CURSOR V2 FOR BOILER P119		
0029	NM01.035		OR ORM 0090-20 SILICONE		
0030	NM01.057		OR ORM 0050-20 IN SILICONE		
0032	265790		H2O BOILER_ UL		



Pos.	Item	Repl. by	Description	Notes	Price (USD)
0001	9011.144		SS FORK FOR TUBE D= 4		
0002	140328059		O RING - MAGIC		
0003	421944059391		WHT CONNECT.FAST LOCK 90 SILIC.TUBE PPS		
0004	11010624		TRANSP.SILICONE TUBE 11X12,8 L= 200 MM		
0005	12000892		OETIKER CLAMP D= 9,5 16700004		
0006	11022409	265415	PINK 5X8,9 SILICONE TUBE L= 120MM		
0007	227872300		TEFLON TUBE 2X4 L= 160 MM ASSY		
0008	11010624		TRANSP.SILICONE TUBE 11X12,8 L= 200 MM		
0009	229368600		SILICONE TUBE 5X10 60SH L= 120MM		
0010	149205850		BLACK TYPE ULKA PUMP W/ BEVEL SUPPORT		
0011	11035987		SAFETY VALVE ASSY 20/22 bar		
0012	9972.123		SILICONE TUBE 5X10 L.240MM		
0013	227872300		TEFLON TUBE 2X4 L= 160 MM ASSY		
0014	9972.297	9972.167	SILICONE TUBE 5X10 L.165MM		
0015	NV99.099		VOLUMETRIC COUNTER - MAGIC		
0016	252021		PIPETTE		
0017	12000131		ULKA PUMP EP5/S 120V-60HZ		
0018	184320200		SPRING HOSE CLAMP D= 9,5MM		
0019	17004125		TEFLON TUBE 2X4 L= 200 MM ASSY		

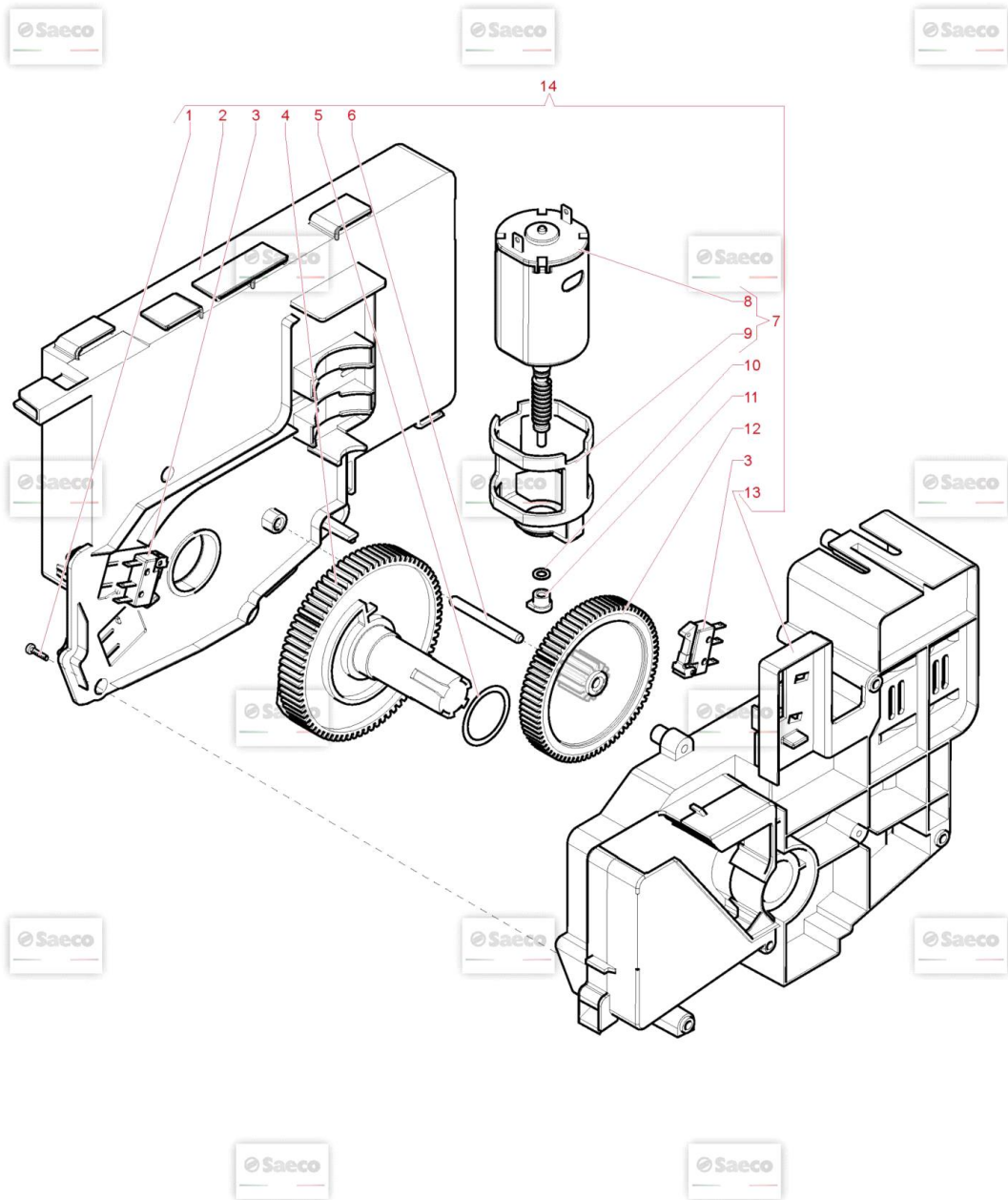


Pos.	Item	Repl. by	Description	Notes	Price (USD)
0001	263666		WATER TANK COVER-BLACK-		
0002	11036042		EXT. WATER NET FILTER D= 30MM NOCS		
0003	NM01.022		OR 2106 SILICONE		
0004	140324362		OR ORM 0060-30 SILICONE		
0005	126764718		SS WATER CONTAINER VALVE SPRING		
0006	147660562	421941089692	GREY PISTON FOR WATER CONTAINER VALVE		
0007	263885	265485	TANK HANDLE H2O RY18		
0008	263886		WATER TANK - MAGIC M1		
0009	11036095		WHITE WATER CONTAINER EXT.FILTER ASSY.UL		
0010	263696		WATER TANK ASSEMBLY - MAGIC		
0011	129912521		SCREW TCBR TORX 10 3,5X14 PLAST.SS		
0012	263669		COFFEE CONTAINER RACK - MAGIC		
0013	263668		COFFEE CONTAINER - MAGIC		
0014	17000391		BLACK WATER LEVEL SENSOR SUPPORT RYL		
0015	217762128				
0016	421941306721		CPU+ SW WATER LEVEL SENSOR V3 ASSY.		
0017	265798		TOP COVER UL	UNTIL MATR: 9023NWR0057128	
0017	266164		UPPER COVER	FROM MATR: 9023NWR0057129	
0018	145842900		NBR WATER CONT.VALVE GACO DIM14 SEAL		
0019	265797		TOP_COVER_UL ASSEMBLY	UNTIL MATR: 9023NWR0057128	
0019	266169		ASSEMBLY UPPER COVER	FROM MATR: 9023NWR0057129	
0020	264197		SINGLE TANK TUBE CONNECTION		
0021	265673		TOP COVER GASKET	FROM MATR: 9023NWR0057129	

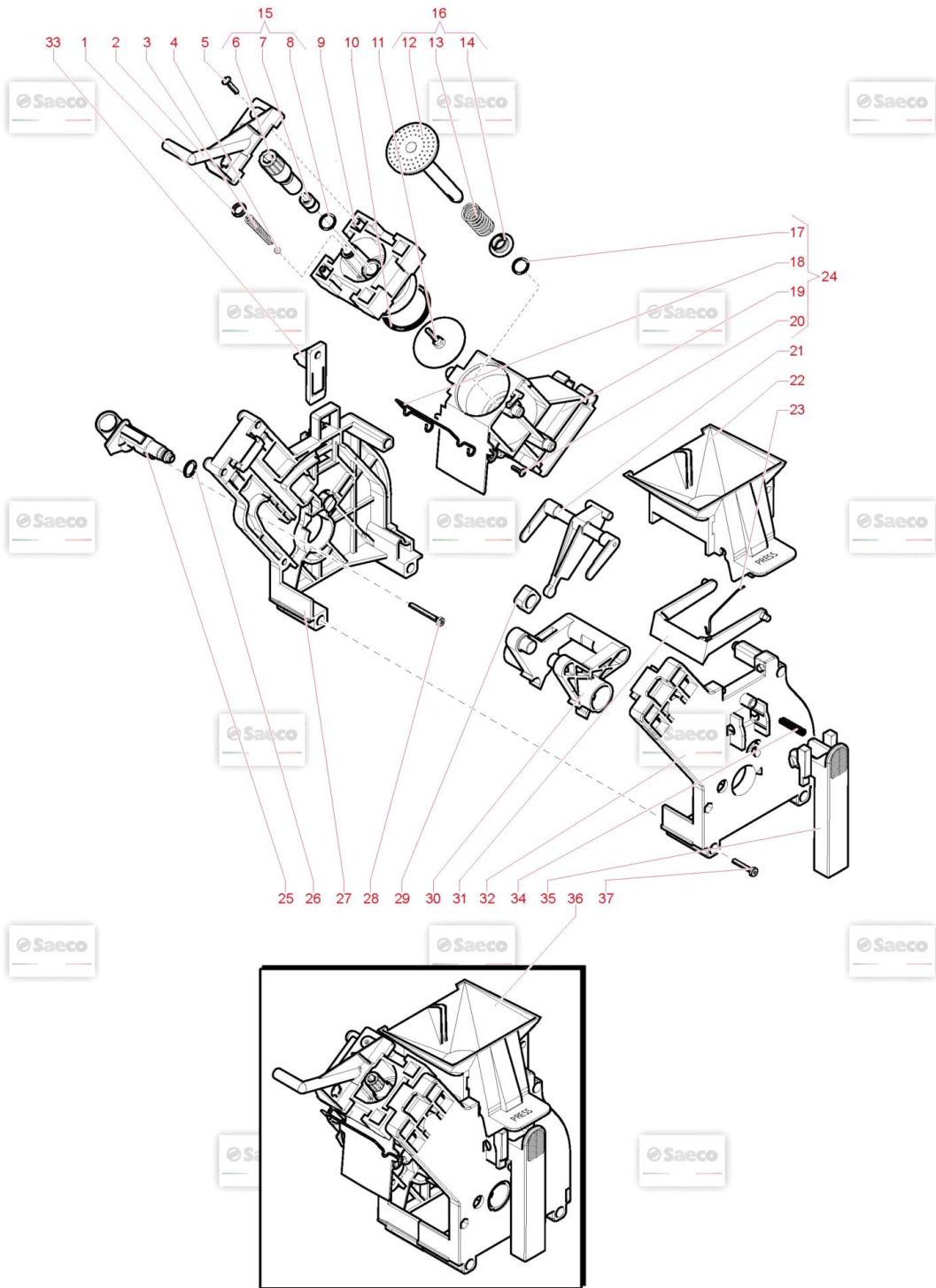


Pos.	Item	Repl. by	Description	Notes	Price (USD)
0001	217761124		SCREW TCB 3X12 PLAST.ZN-B.		
0002	9161.076.150		GREY GROUND COF.DOSER DOOR PIN		
0003	9161.048		STEEL GROUND COF.DOSER SCRAPERROD	UNTIL MATR: 9023NWR0057128	
0004	264889		AS_GEN_PIAS_MC RY18 120V		
0005	9161.041		STEEL GROUND COF.DOSER ELECTROMAGN.CORE		
0006	U701.003		SNAP RING 7 UNI 7434		
0007	126764818		SPRING ELECTROM.BEAN DOSER MAGIC		
0008	11025734		DOSER COIL FOR SUPERAUTOM.24V		
0009	NE05.017		MICROSWITCH		
0010	421946000541	421946000921	4P.CONN.COIL+ DOSER MICRO V2 RYL UL ASSY.		
0011	9161.072.150		GREY MICRO SUPP.CURSOR GROUND COF.DOSER		
0012	263999		GROUND COFFEE DOSE BALANCE CHECKING	UNTIL MATR: 9023NWR0057128	
0012	9161.073.150		GREY GROUND COF.DOSE CONTROL COMPENSATOR	FROM MATR: 9023NWR0057129	
0013	1505.014		COFFEEGRINDER SEAL	UNTIL MATR: 9023NWR0057128	
0013	264944		GASKET DOSER X 15G GROUP 15 g	FROM MATR: 9023NWR0057129	
0014	266108		ASSEMBLY OF 4 REED TANK MICROSWITCH CONNECTORS WITH 4 POLES		
0015	9161.079.150		GREY GRIND COFFEE CONVEYOR MAGIC		
0016	263402		CONDENSER WITH WIRING		
0017	41002802		TIE		
0018	265799		COFFEE GRINDER STD 120V ASSEMBLY		
0019	266674		NARROW GRINDER DOOR ASSEMBLY	FROM MATR: 9023NWR0057129	
0019	9140.017		GREY GROUND COF.DOSER DOOR ASSY.	UNTIL MATR: 9023NWR0057128	
0020	1505.020		GASKET COFFEE GRINDER- MAGIC	UNTIL MATR: 9023NWR0057128	
0021	9991.103		ANTIVIBRATION FOR COFFEEGRINDER		
0022	0333.008		STEEL GRINDING ADJUSTMENT LEVER		
0023	217762128				
0024	264955		ASS.MC STD CALIBRATED 120V RY18		
0025	149186150	266123	BLACK UPPER GRINDER SUPPORT MAGIC		
0026	266230		UPPER AND LOWER GRINDER ASSY		
0027	129931002	265923	TORX SCREW T10 TCB 3,5X40 SX ZNG		
0028	147470763		BLK INCREASE SCREW PIN COF.GRINDER MAGIC		
0029	U201.002		PLAIN WASHER 10X16X0,2DIN 988GAL		
0030	128610521		STAIL.STEEL AISI 304 SPHERE D= 5,5MM		
0031	126765517		STEEL SPRING SPHERE D= 5,5 MOTOR MAGIC		
0032	9141.042		SAFETY RING		
0033	9141.028	149188750	BLACK LOWER GRINDER SUPPORT MAGIC		

Pos.	Item	Repl. by	Description	Notes	Price (USD)
0034	140360200		FELT RING 40X34X5		
0035	265376		COFFEE GRINDER MOTOR 120V		
0036	146570950		RING NUT FOR GRINDING ADJUSTMENT MAGIC		
0037	128610421		STAIL.STELL AISI 304 SPHERE D= 3,2MM		
0038	126770117		NEW SPRING SPHERE D= 3,2 MOTORMAGIG		
0039	264842	264937	Motor support		
0040	140230400		SHOCK ABS .CONICAL GRINDER SUPP.MAGIC		
0041	421946000921		COIL WIRING+ DOSER MICRO V2 RYLUL ASSY.		
0042	142844550		UPPER GRINDER COVER COFFEE GRIND. MAGIC		
0043	U201.001		PLAIN WASHER 3,2X9 DIN 7349 GALV.		
0044	9161.077.150		DOSE ADJUSTMENT LEVER DE LUXEGREY		
0045	149188750	265384	CONICAL GRIND. SUPP. + RING MAGIC		
0046	0333.009		BLK GRINDING ADJUST.LEVER HANDGRIP ROYAL		
0047	U043.004	12002052	ZN-B TCB TORX 20 M4X16 ZN- B		
0048	17001155		GREY COVER FOR DOSER HOLE RYL		
0049	9991.005		RUBBER FOR COFFEE GRINDER		
0050	9141.003		SPACER FOR RUBBER		
0051	U324.006	259231	NUT M4 FLANGED INDENTED BASE		
0052	264946		PIAST.FIS.LEVA DOS.CAF.MAC.STR	FROM MATR: 9023NWR0057129	
0052	265497		DOSING LEVER FIXING PLATE	UNTIL MATR: 9023NWR0057128	
0053	12001605	265448	MICROSWITCH		
0054	17000832		GRY COFF.GRINDING/DOSE ADJUST.SCALE RYLO		
0055	265498		COFFEE GRINDER PLATE		



Pos.	Item	Repl. by	Description	Notes	Price (USD)
0001	129670202		SCREW 3.5X16 - MAGIC		
0002	263401		TOP CARD MOT. COV. RY18		
0003	264894		UL MICRO WIRED ASSEMBLY		
0004	265476		GEARMOTOR GEAR		
0005	9161.368		MYLAR WASHER FOR RATIOMOTOR		
0006	9121.039		STEEL PIN FOR RATIOMOTOR GEARMAGIC		
0007	11005214		BREWER MOTOR ASSY - MAGIC.		
0008	11003037	11005214	MOTOR FOR RATIOMOTOR ASSY.		
0009	9121.044		ANTIVIBRATION FOR MOTOR		
0010	148380200		BAKELIZZATE WASHER D= 5,5		
0011	9121.046		BRONZE SINTERED BUSH FOR MOTORRATIOMOT.		
0012	146002800		GREY GEAR Z= 13/90 FOR RATIOMOTOR P124		
0013	11026258		GREY RATIOMOTOR CASING WITH TUBE ASSY.		
0014	264406		ASS_MOTORID_RY18 NEW ROYAL		



Pos.	Item	Repl. by	Description	Notes	Price (USD)
0001	11021334		BLK COUNTERPISTON SEAL DE= 11 DI= 8 SP= 1,4		
0002	11003789		BLACK COFF.OUTLET SLEEVE BREWUNIT ROYAL		
0003	9161.222		SS.CONICAL SPRING		
0004	421944034451		BOROSILICATE SPHERE D.5 MM		
0005	265990		SCREW 3X16 TORX		
0006	147472650		PIN BLACK FOR PERCOLATOR		
0007	NF11.067		BRASS INSERT FOR PERCOLATOR LOCKING PIN		
0008	140324461		OR ORM 0060-20 TERMOIL		
0009	11003796		BLACK BREW UNIT COUNTERPISTONM5000		
0010	NM01.044		OR ORM 0320-40 SILICONE PTFE/FDA		
0011	9160.075	9161.268	PERCOLATOR DE= 35,8 ELFO ASSY.		
0012	11003077	11035796	BLK BREW UNIT INTEGRAL PISTON8GR.ASSY.		
0013	9161.198		SS.8GR.BREW UNIT PISTON SPRING		
0014	9161.191		WHITE 8GR. -12GR.BREW UNIT PISTON BUSH		
0015	227470150		PIN BLACK ASS.FOR PERCOLATOR		
0016	11036010		BRW 8GR.BREW UNIT NTEGR.PISTONGEN.ASSY.		
0017	NM02.018		OR ORM 0090-25 TERMOIL		
0018	11001556		SS BREW UNIT SPRING H= 49 SMART		
0020	129912521		SCREW TCBR TORX 10 3,5X14 PLAST.SS		
0021	11003078		BLACK CONNECTING ROD BREW UNIT8GR.		
0022	11003795		BLACK HOPPER COFF.BREW UNIT S/SCR.M5000		
0023	9161.046		SS SCRAPER SPRING FOR BREW UNIT		
0024	11004570		BLACK BREW UNIT COFFEE CONT.P124 ASSY.		
0025	9161.064.050		BLACK WATER INLET SLEEVE BREWUNIT ROYAL		
0026	NM02.007		OR 2025 IN TERMOIL		
0027	421941158532		BLACK BREW UNIT REAR PLATE V2M5000		
0028	12000550	265821	SCREW TCB TORX 10 3X25 PLAST.SS		
0029	9161.094.050		BLACK BREW UNIT DRILLED BLOCK		
0030	9161.066.050		BLACK BREW UNIT ELBOW SHAFT M5000		
0031	11004161		BLACK SCRAPER FOR BREW UNIT M5000		
0032	11003793		BLACK BREW UNIT FRONT PLATE M5000		
0033	11004114		BLACK BREW UNIT COUPLING PLATE		
0034	9161.045		SS BREW UNIT HANDGRIP SPRING M5000		
0035	11003791		BLACK BREW UNIT HANDGRIP M5000		
0036	264407		GRUP.CAF.MAGIC/ROYAL NER.		
0037	12000897		SCREW TCB TORX 10 3,5X20 PLAST.SS		