

# Deep Cleaning Reference Guide

# EMBLEM



NSF/ANSI 4



For more information and details,  
consult the Service and Installation Manual.

Manufactured by:

Cafection Ventures Inc.

2355, avenue Dalton, Québec (Québec) G1P 3S3 Canada

Tel.: 800-561-6162 | Fax: 800-463-2739

service@cafection.evocagroup.com | www.cafection.com

*Images may vary from the actual product.*

22DOC03A rev 2  
2022-09



**PARTS ARE NOT DISHWASHER SAFE.**



**AIR DRY PARTS COMPLETELY BEFORE REINSTALLING THEM IN THE BREWER.**



To access *Service Mode*, press in order the 3 corners of the screen counterclockwise from the top left corner.  
Factory setting PIN is 5657.



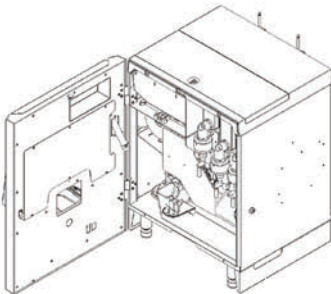
This is a reference guide for deep cleaning. For more information and details, consult the *Service and Installation Manual*.

### MATERIAL RECOMMENDED FOR DEEP CLEANING

- Small brush (18ACC04)
- Big brush (16ACC12)
- Bucket (18L minimum)
- Scissors
- Towels
- Phillips screwdriver No. 2
- Urnex VENDZ® cleaning liquid
- Urnex CAFÉ SPRAYZ™ cleaning spray

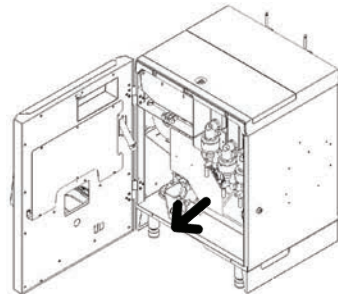
## Cleaning Steps

1.



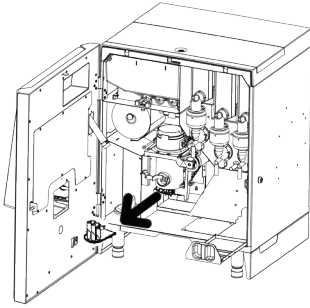
Turn OFF the brewer and open the brewer's door.

2.



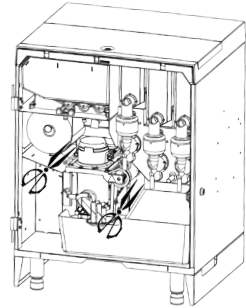
Remove the front panel.

3.



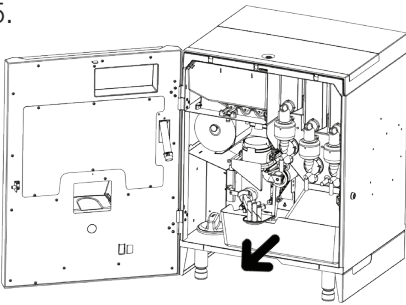
Unplug the 4 tubes from the spout. Unplug the spout from the brew group spillway. Remove the brown tube from the brew group funnel.

4.



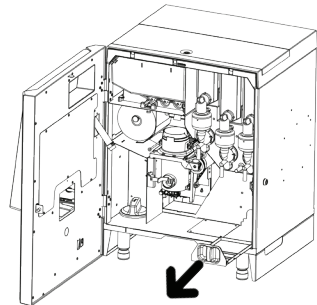
Use the scissors to cut the filter paper on both sides of the brewer chamber.

5.



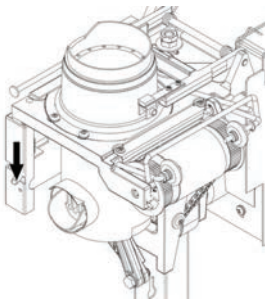
Remove and empty the waste bin.

6.



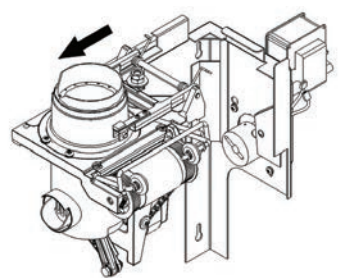
Pull out the overflow tray.

7.



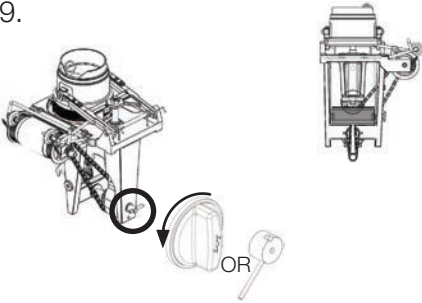
Push the locking pin down to release the brew group and on the right to keep the brew group unlocked.

8.



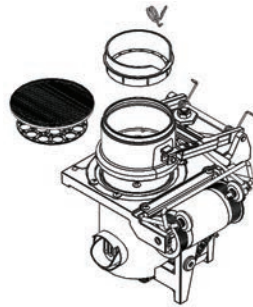
Pull the brew group outward. Rinse the brew group and the funnel under hot water. Air dry completely.

9.



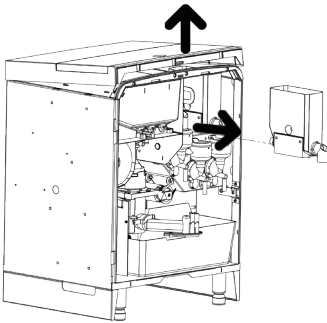
Use the brewer tool to turn the dog drive counterclockwise so the piston is at its lowest position.

10.



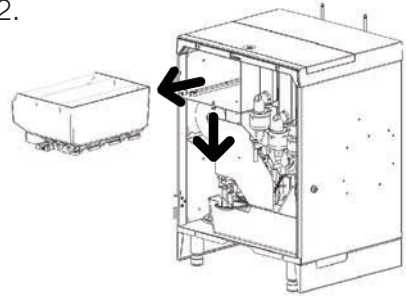
Remove the brewer's funnel and the filter.

11.



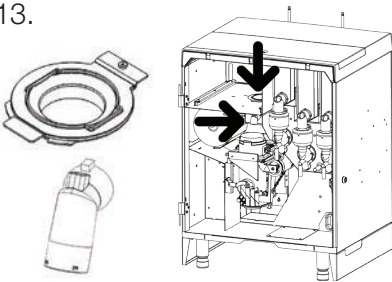
Gently lift the hood, pull the 3 soluble canisters out of the brewer. Empty each canister and take all parts apart.

12.



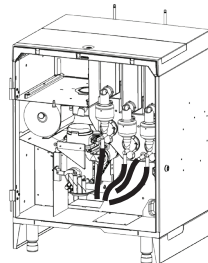
Pull down the bean hopper retaining pin. At the same time, pull the bean hopper outward.

13.



Unscrew and remove the rubber funnel bracket. Pull the coffee chute out from its socket.

14.



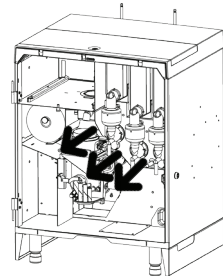
Remove the tubes from the 3 solubles whipper assemblies and the hot water tube.

15.



Twist off the 3 mixing bowl bases counterclockwise to unlock whippers' chambers.

16.



Pull the 3 mixing bowls outward, then remove the 3 whippers' disks and 3 gaskets.

17.



Fill a bucket (18L minimum) with 10L of hot water. Pour 15ml of Urnex VENDZ® coffee vending machine cleaning liquid per liter of water.



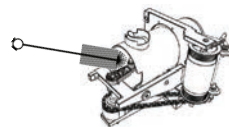
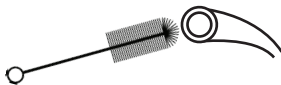
**Water temperature in bucket must be between 140 °F and 176 °F (60 °C - 80 °C).**

18. Soak the following parts previously removed in the bucket. Brush them to remove all grime. Let soak for at least 30 minutes.

- Brew group
- Brewer's funnel
- Brewer's filter
- 3 whippers' chambers
- Mixing parts: 3 disks and 3 gaskets
- All removed tubes
- Coffee spout
- Ground coffee chute
- Rubber funnel / bracket
- 3 soluble canisters parts (wheel, worm screw, etc.)



**Use cleaning brush to remove grime from each part. Insert it in tubes, part holes and corners.**



19.

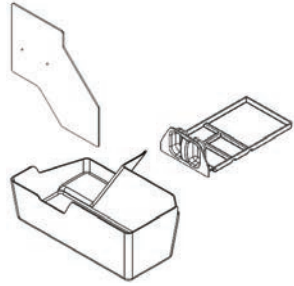


While parts soak in bucket, use Urnex CAFÉ SPRAYZ™, a towel and the brushes to wipe clean the other parts by following the next steps.



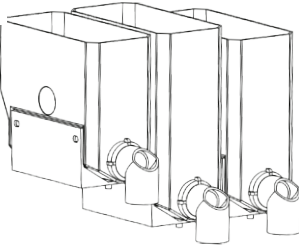
**IMPORTANT**  
Rinse and air dry parts prior to reinstall in the brewer.

20.



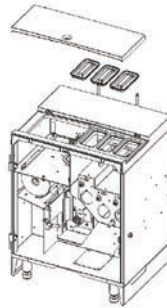
Clean the waste bin, the front panel and the overflow tray. Rinse under hot water and air dry completely.

21.



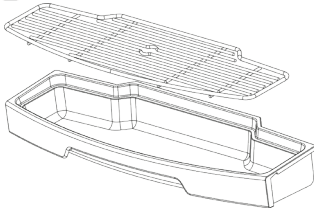
Clean the 3 soluble canisters. Rinse under hot water and air dry completely.

22.



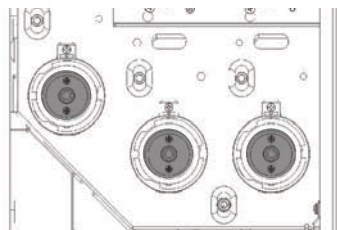
Open the access door and clean it. Remove the 3 soluble lids and clean them. Rinse under hot water and air dry completely.

23.



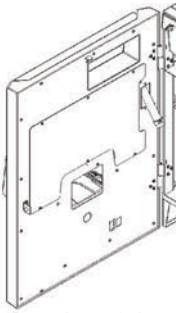
Clean the drip tray and the grill. Rinse under hot water and air dry completely.

24.



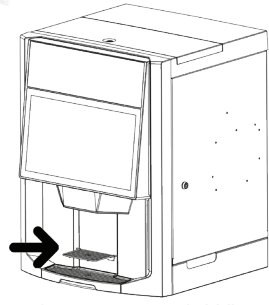
Clean the 3 soluble whipping motor (shaft and visible parts). Wipe with towel and hot water. Air dry completely.

25. 



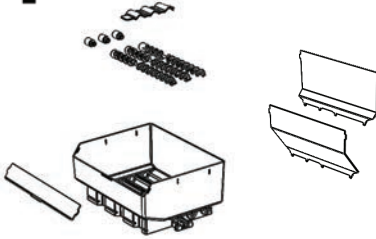
Clean the interior of the door.  
Wipe with towel and water. Air dry completely.

26. 



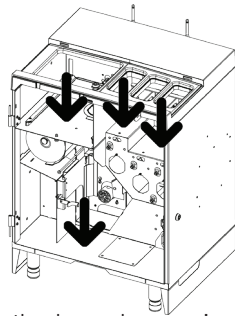
Clean the cup stand. Wipe with towel and water. Air dry completely.

27. 



Disassemble the bean hopper prior to clean it. Rinse under hot water and air dry completely.

28. 



Clean the bean hopper's shelf, the solubles canisters' shelves and the waste bin shelf. Wipe with towel and water. Air dry completely.

### CHECKLIST

- Waste bin
- Front panel
- Overflow tray
- Soluble canisters
- Access door
- Soluble lids
- Drip tray and grill
- Whipping motors
- Inside door
- Plastic part on interior of the door
- Cup stand
- Bean hopper
- Shelves



### IMPORTANT

Rinse and air dry parts prior to reinstall in the brewer.

29.

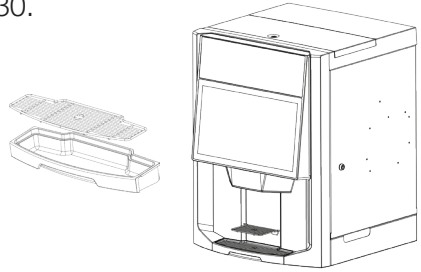


After at least 30 minutes, remove all soaked parts from the bucket. Rinse and air dry completely.



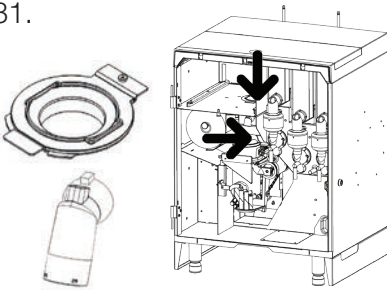
**IMPORTANT**  
Rinse and air dry parts prior to reinstall in the brewer.

30.



Place the drip tray and the grill back in place.

31.



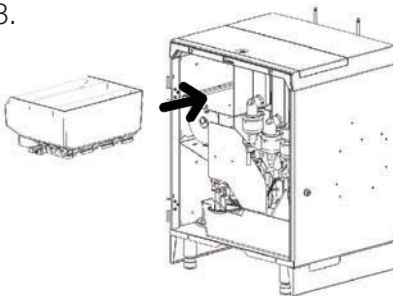
Install the rubber funnel and plug the coffee chute on its socket.

32.



Reinstall whipper gaskets, disks, mixing bowls and lock the 3 mixing bowl bases (twist clockwise).

33.

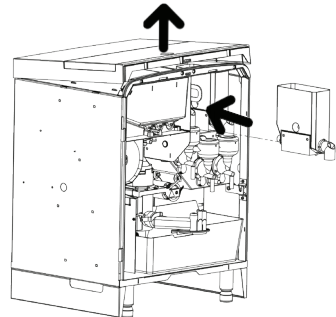


Reassemble the bean hopper and slide it back in the brewer.



The bean hopper should be locked by the retaining pin.

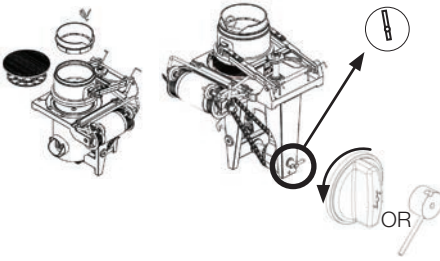
34.



Reassemble the 3 soluble canisters. Lift the hood and slide the 3 soluble canisters at their position.

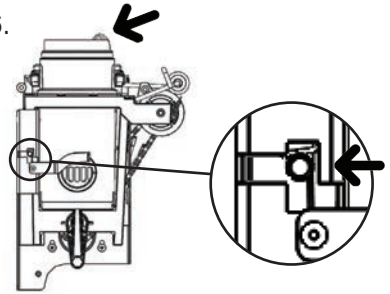


35.



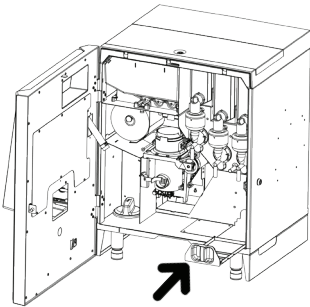
Reinstall the filter and the funnel on the brew group. Use the brewer tool to turn the dog drive counterclockwise to 11 o'clock.

36.



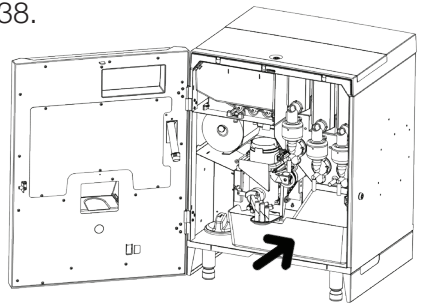
Reinstall the brew group and make sure the pin is on lock position. Reinstall the brown tube on the brew group funnel spring.

37.



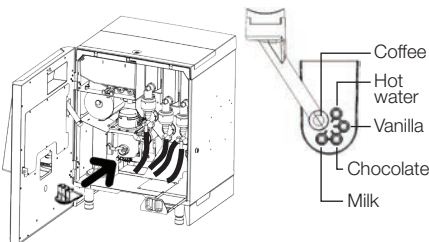
Slide the overflow tray back in place.

38.



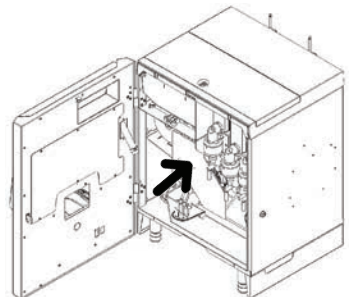
Place the waste bin back in the brewer.

39.



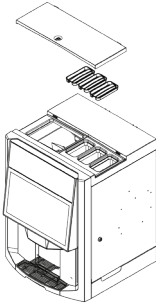
Plug the spout on the brew group and flip down the spout support to lock it in place. Plug back the 4 tubes on the spout.

40.



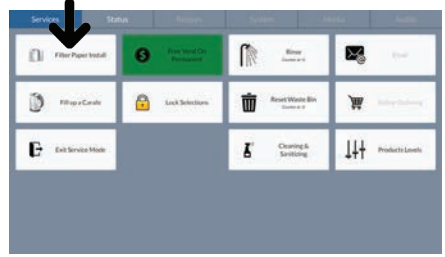
Reinstall the front panel and close the door.

41.



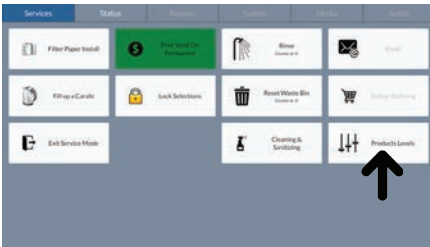
Open the top access door. Reload the bean hopper and the soluble canisters. Turn ON the brewer.

42.



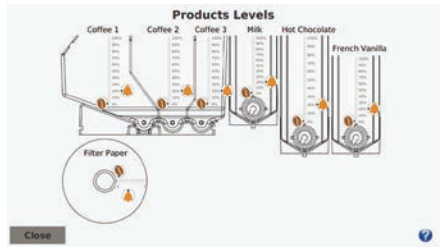
Access Service Mode and select “Filter Paper Install”. Follow instructions displayed on screen.

43.



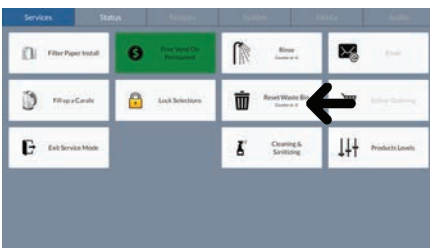
Access Service Mode and select “Products Levels”.

44.



Slide the coffee beans’ labels to set the corresponding product level.

45.



Access Service Mode and select “Reset Waste Bin”.

46.

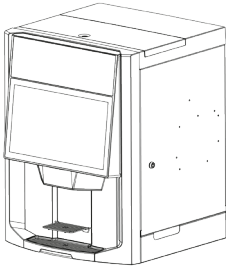


Perform 2 “Auto Rinse” cycles to finish the deep cleaning.



Careful! Water is very hot!

47. 



Clean the exterior of the brewer and its surroundings. Do not forget to clean underneath the machine. Wipe with towel and water. Air dry completely.

48.

Cleaning Record	
Date	Comments
_____	_____
_____	_____
_____	_____
_____	_____
_____	_____
_____	_____
_____	_____
_____	_____
_____	_____
_____	_____

Fill the cleaning record at the back of this guide.



**Clean the brewer surroundings. Make sure the machine is clean, safe and functioning once it is ready to be left on-site.**

