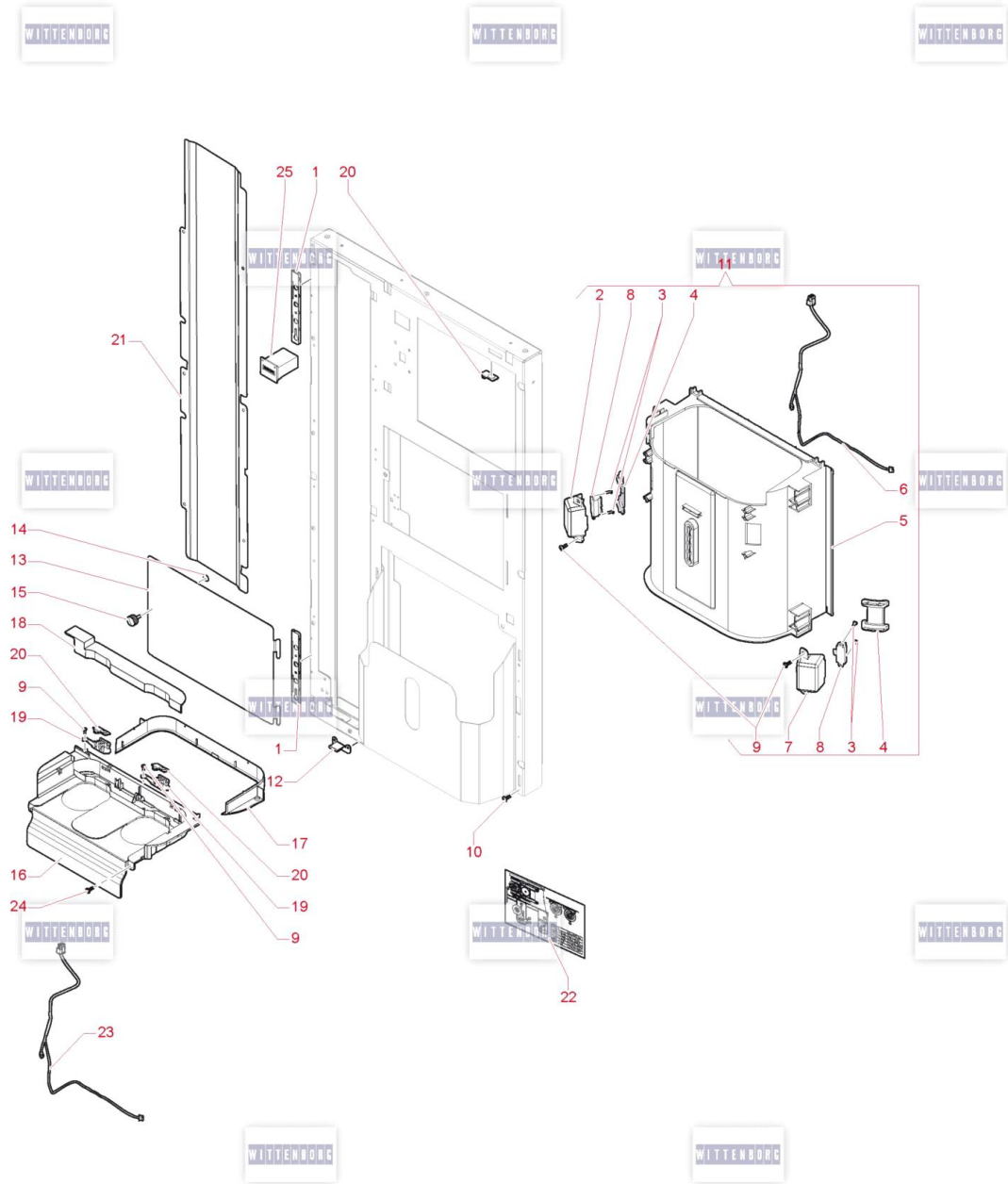
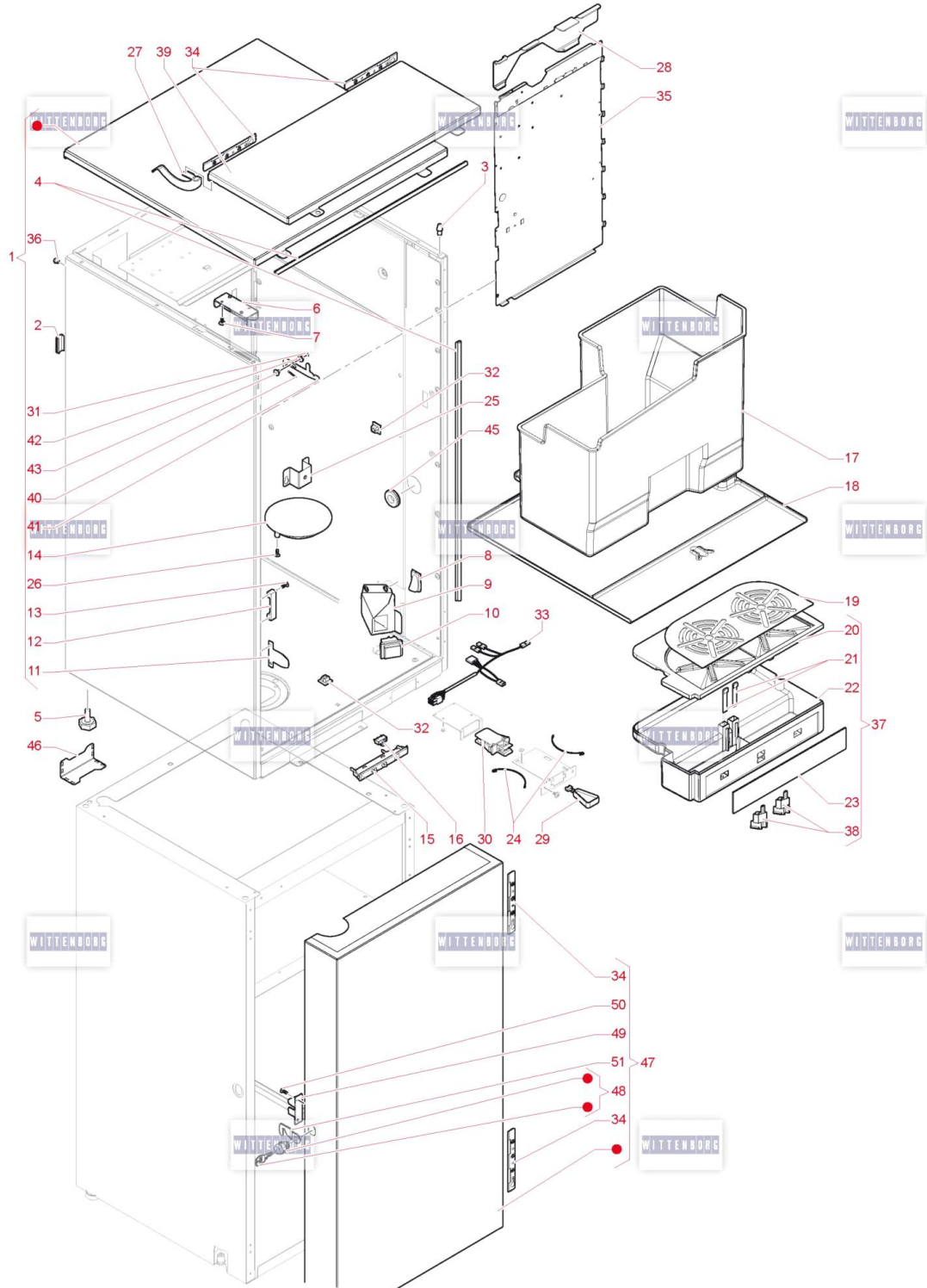


Pos.	Item	Repl. by	Description	Notes	Price (USD)
0001	260841		PHOTO PANEL NEW MEDITERRANEAN		
0001	262830		BEANS PHOTO PANEL - FREEVEND-		
0002	259767		740 MM LED HOSE		
0003	259758		PANEL PAYMENT		
0004	259745		LED DIFFUSER		
0005	259960		DOOR WIRING COVER		
0006	255034		PLAIN TIP SELF-TAPPING SCREW 4X12		
0007	261027		ASSY. COVER TOUCH SCREEN AREA		
0008	259755		TOUCH SCREEN PANEL		
0009	259845		TOUCH SCREEN UPPER ALUMINIUM PROFILE		
0010	259723		TOUCH ALUMINIUM SURROUND FOR LOCK		
0011	259775		TOUCH SCREEN PANEL ASSEMBLY		
0012	260321		10" TOUCH ASSEMBLY		
0013	258883		RIELDA ANTI-TAMPER LOCK		
0014	259715		DOOR BOTTOM HEAD		
0015	259736		FLAP		
0016	259610		FLAP GRILLE		
0017	259737		FLAP HINGE		
0018	252384		KNOB M4X10		
0019	259757		LEFT VERTICAL COVER		
0020	259770		LATCH		
0021	259887		LATCH		
0022	255029		SCREW M4X10		
0023	259730		CONTAINER GUIDE		
0024	258628		SELF-TAPPING SCREW. 4X15		
0025	259714		DOOR TOP HEAD		
0026	259846		DOOR FRAME ASSEMBLY		
0027	259765		DOOR WIRING		
0028	090148		CLIP		
0029	259749		OPALINE POSTER		
0030	259748		POSTER TRANSPARENT COVER		
0031	259773		POSTER BANNER ASSEMBLY		
0032	259908		COFFEE WINDOW ALUMINIUM PROFILE		
0033	259705		LED DIFFUSER COVER		
0034	090020		WHIPPING MM 16		
0035	259756		TOP DOOR COVER		
0035	260774		UPPER DOOR PANEL		
0036	36394100		POWER CABLE 5X1.5 16A 400V		
0037	259776		COFFEE WINDOW ASSEMBLY		
0037	261028		INSTANT WINDOW ASSEMBLY		
0038	259886		760 MM LED STRIP		



Pos.	Item	Repl. by	Description	Notes	Price (USD)
0001	259772		OPENABLE TOP HINGE		
0002	259738		RIGHT SENSOR COVER		
0003	255724		SELF-TAPPING SCREW 4X8		
0004	259740		SENSOR PROTECTION GLASS SHEET		
0005	259754		DISPENSING COMPARTMENT		
0006	259764		PHOTOCELL WIRING		
0007	259739		LEFT SENSOR COVER		
0008	256173		CUP PRESENT OPTICAL SENSOR		
0009	987628		EJOT-PT-SCREW 3X8		
0010	255034		PLAIN TIP SELF-TAPPING SCREW 4X12		
0011	259774		DISPENSING COMPARTMENT ASSEMBLY		
0012	259718		DOOR ACTUATOR BRACKET		
0013	259706		TOUCH REAR COVER		
0014	093999		COVERING FASTENING SCREW WASHER		
0015	252384		KNOB M4X10		
0016	259741		NOZZLE COVER		
0017	259743		NOZZLE AESTHETIC COVERING-BLACK-		
0018	259742		NOZZLE COVER		
0019	259744		GEMMA LED		
0020	257345		LED SPOTLIGHT BOARD		
0021	259707		FREEVEND PAYMENT COVER		
0022	260315		HOSE/NOZZLE LABEL		
0023	259766		LIGHT COMPARTMENT WIRING		
0024	258628		SELF-TAPPING SCREW. 4X15		
0025	255447		PULSE COUNTER		

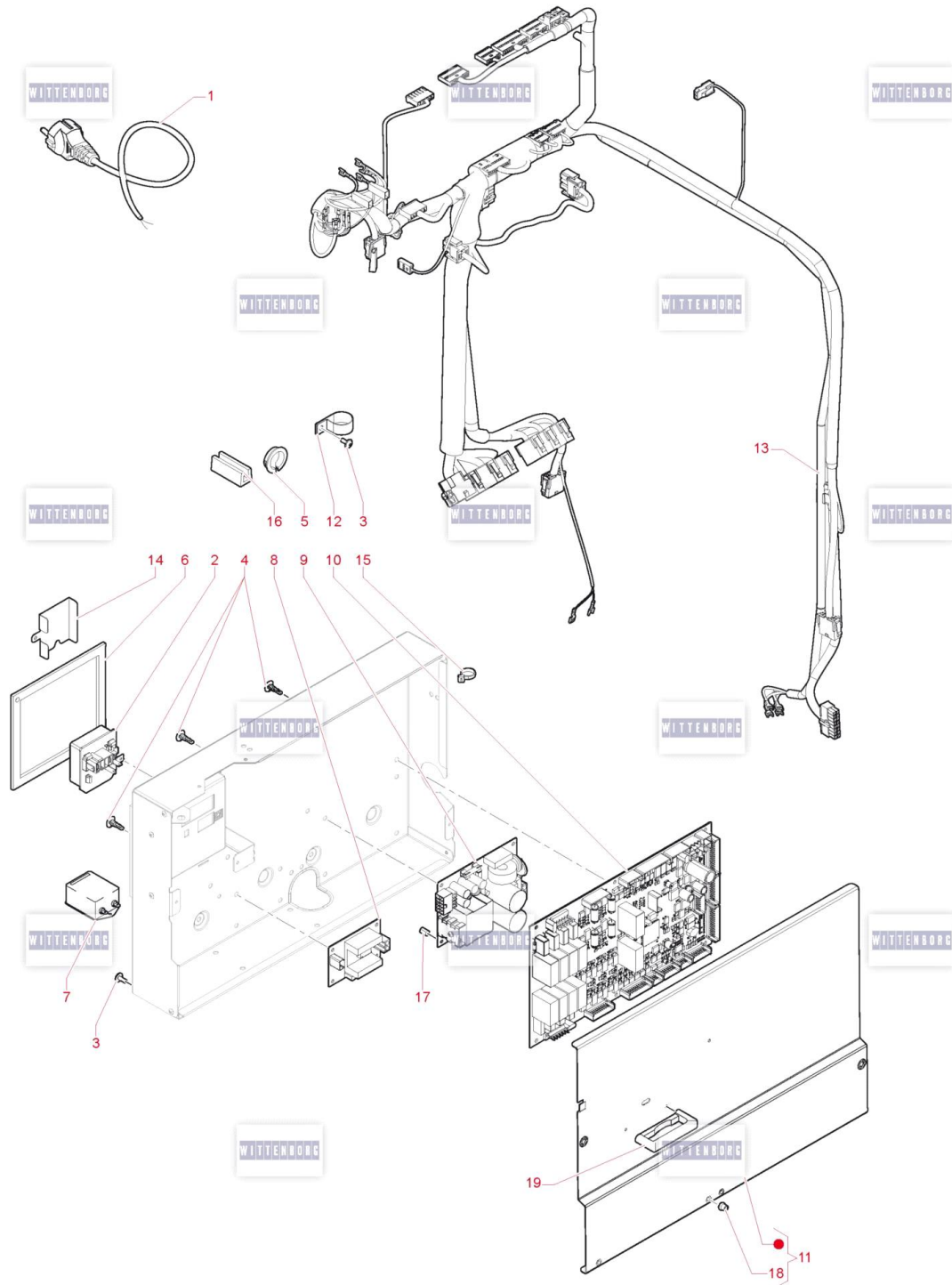


Pos.	Item	Repl. by	Description	Notes	Price (USD)
0001	260158		UNIT ASSEMBLY-OPENABLE TOP-		
0002	B-2075		CABINE BACK CAP 7100		
0003	252953		TOP MACHINE STOP PIN		
0004	259065		ADHESIVE GASKET 9,5X5,5		
0005	096244		LITTLE FEET		
0005	254182		4 FEET H= 100		
0006	259735		POWDER CONTAINER FITTING		
0007	255028		SELF-TAPPING SCREW 3,9X9,5		
0008	39420500		PIPE-WIRING FEEDTHROUGH		
0009	260956		SWITCH SUPPORT		
0010	0V3200		DOUBLE-POLE SWITCH		
0011	259722		DOOR GUIDE PLATE		
0012	39711300		7100 LOCK LATCH PILOT HOLE		
0013	255034		PLAIN TIP SELF-TAPPING SCREW 4X12		
0014	255267		CAP		
0015	256700		LIQUID BASIN SENSOR ASSY.		
0016	0V1928		MICRO-SWITCH 'UL'		
0017	259726		GROUND BASIN		
0018	259725		MOBILE BASE BASIN		
0019	259708		BASIN GRILLE		
0020	259747		BASIN COVER		
0021	259717		BASIN SENSOR CONTACT		
0022	261205		LIQUID BASIN		
0023	261203		BASIN ALUMINIUM PROFILE		
0024	39764900		DOOR SWITCH SPRING CV7200		
0025	262754		BACKBOARD LOCKING BRACKET		
0026	255039		PLAIN TIP SELF-TAPPING SCREW 4X20		
0027	259867		TOP STOP BRACKET		
0028	263963		BELL INTERLOCK		
0029	0V1654		SWITCH KEY		
0030	097796		SWITCH		
0031	097861		THREADED CONNECTOR		
0032	094922		SELF-STICKING CABLE CLIP		
0033	260319		SWITCH / LEVEL WIRING - USA -		
0034	259772		OPENABLE TOP HINGE		
0035	261029		ASSY. LH CLOSING PANEL		
0036	255140		M4 HEXAGONAL INSERT		
0037	260761		BASIN ASSEMBLY		
0038	260791		PROFILE FASTENING CLIP		
0039	259869		OPENABLE TOP		
0040	099616		SPRING		
0041	260160		DOOR BLOCK BRACKET		
0042	260159		RETAINING WASHER		
0043	259870		M4 BUSHING		
0044	093171		OUTER FIXING COLLAR DIAM MM6		
0045	093916		WHIPPING OVAL		
0046	260124		UNIT FASTENING BRACKET		
0047	260126		UNIT DOOR ASSEMBLY		

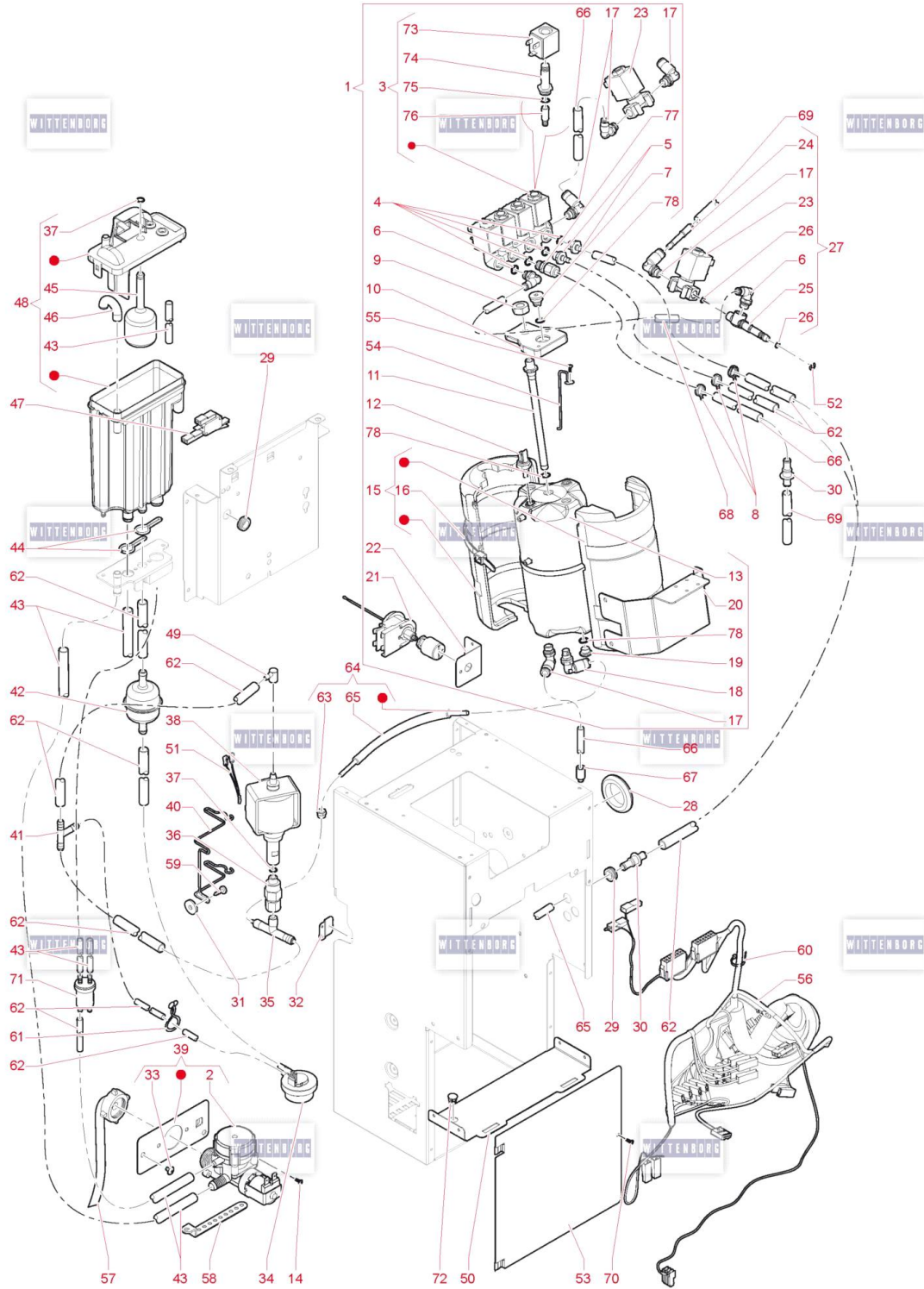
Pos.	Item	Repl. by	Description	Notes	Price (USD)
0048	39627012		LOCK W12B EUROLOCKS DOOR		
0049	30726400		DOOR BRACKET		
0050	255528		SCREWM4X6		
0051	260125		EUROLOCK LATCH		



9100 ESPRESSO - FRESH BREW - 120V 60HZ

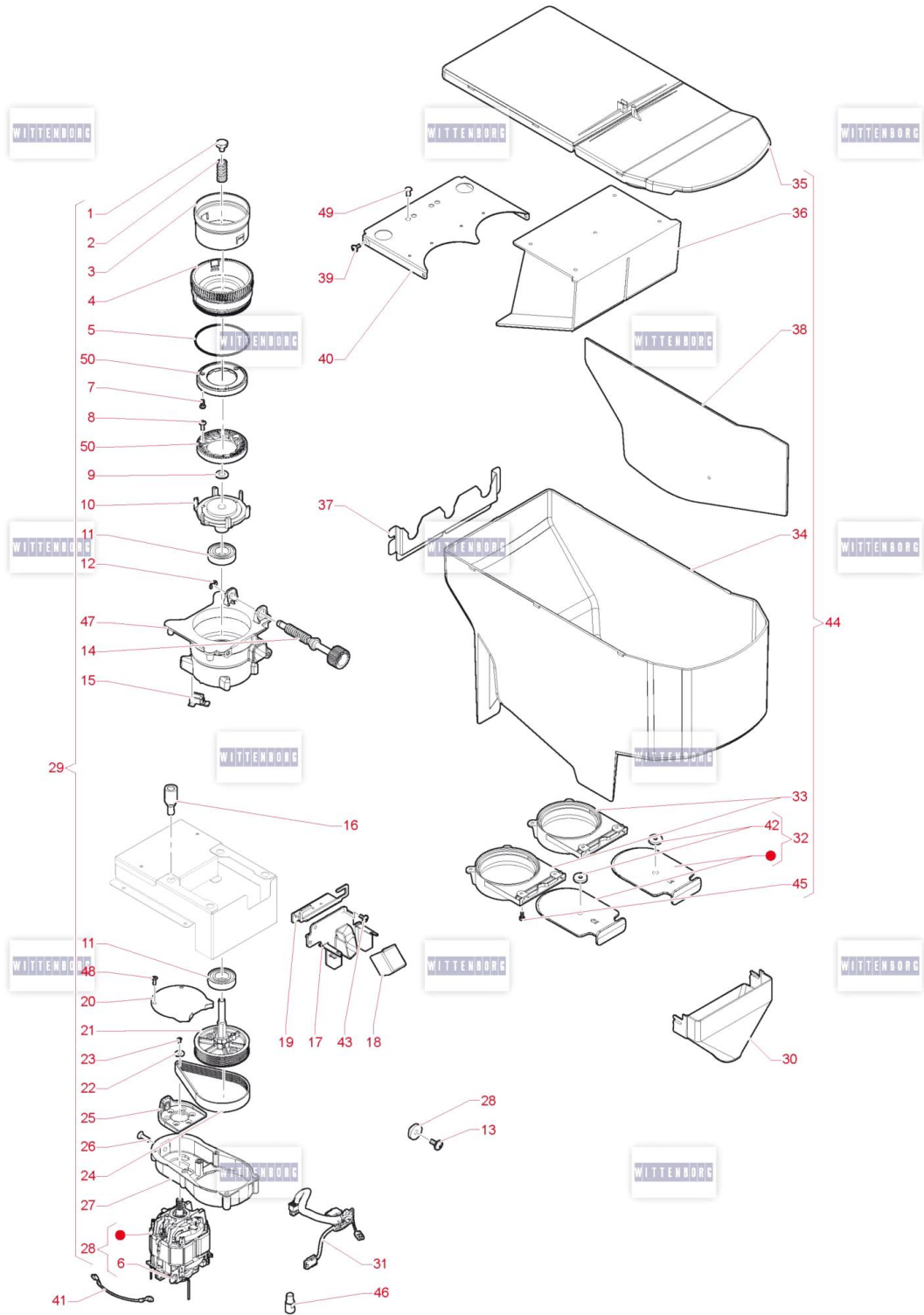


Pos.	Item	Repl. by	Description	Notes	Price (USD)
0001	258966		CABLE + GFCI 120V 15A		
0002	260134		TERMINAL BOX		
0003	255029		SCREW M4X10		
0004	41005801		CARD SPACER RLCBSRE 6 NAT		
0005	0V2126		HALF-OPEN BUSH		
0006	259728		TERMINAL BOX SEAL		
0007	0V0796		ELECTRICAL NET FILTER		
0008	0V2143		BOILER CONTROL BOARD		
0009	35310100		FEEDER 90VA		
0010	261899		ACTUATION CARD		
0011	261030		ELECTRIC PANEL COVER ASSY. NSF		
0012	985604		NYLON COLLAR		
0013	260316		GENERAL WIRING - USA -		
0014	260312		TERMINAL BOX COVER		
0015	090148		CLIP		
0016	256494		PROFILE WIRE PROTECT (PER METRE)		
0017	58010410		SHIM M4X10		
0018	255140		M4 HEXAGONAL INSERT		
0019	987216		HANDLE		



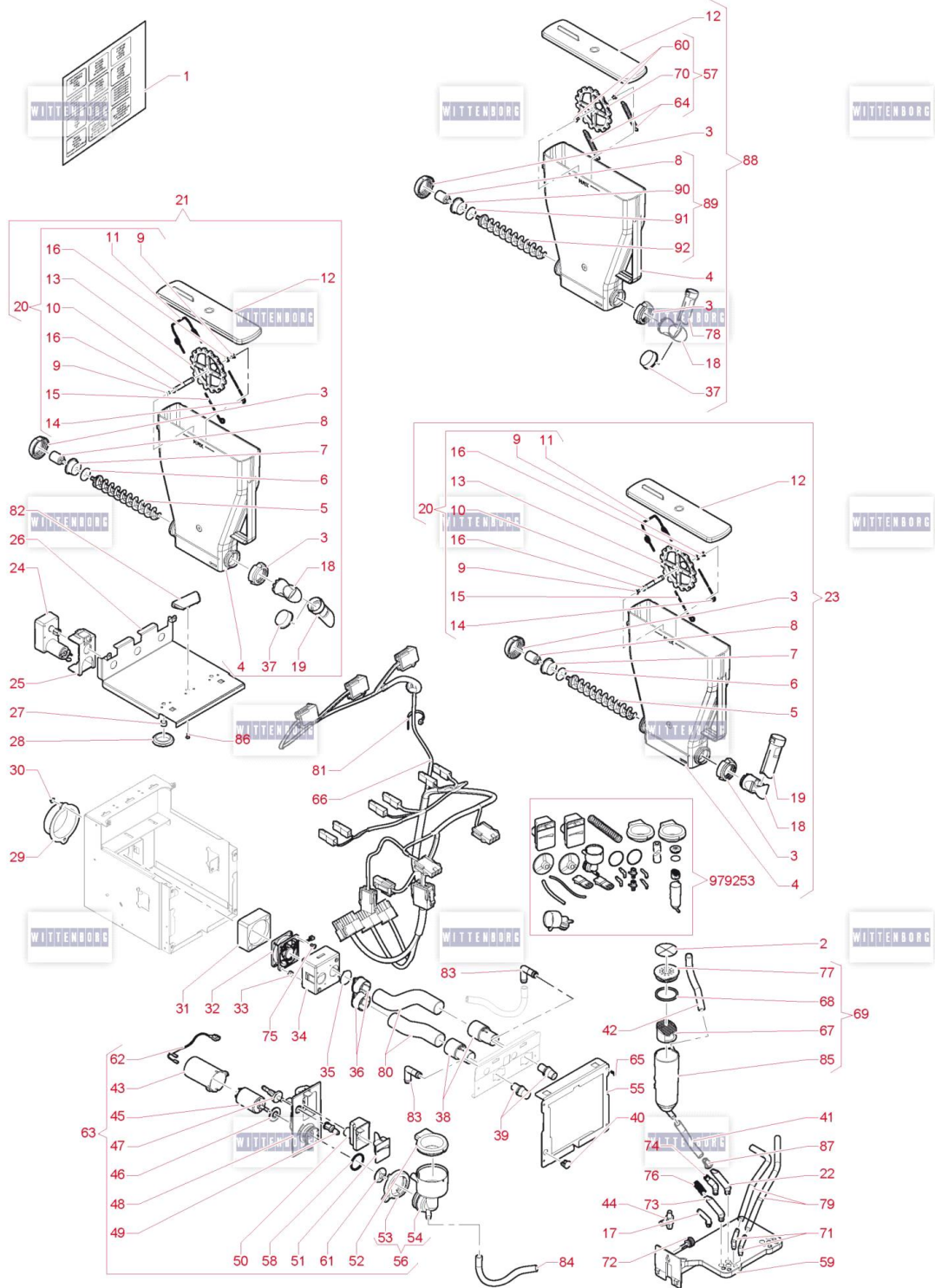
Pos.	Item	Repl. by	Description	Notes	Price (USD)
0001	261360		BOILER 800CC 1100W 120V		
0002	260851		WATER INLET SOLENOID VALVE -NSF-		
0002	41535400		WATER INLET SOLENOID		
0003	259931		4 SOL.VALVE ASS. 2+ 2+ 2+ 2-WAY 24V - STAINLESS STEEL INSERT-		
0004	094594		GASKET O-RING 2031		
0005	099012		RUBBERHOLDER UNION		
0006	256273		L ROTATING WITH OR 4-1/8 DELEADED		
0007	261358		BOILER OUTLET UNION 1/2 STAINLESS STEEL		
0008	258815		PIPE CLAMP COLLAR		
0009	258998		M10 HEX NUT		
0010	257343		PLATE CONDUCTIVE		
0011	261404		PIN FOR THERMO-PROTECTOR		
0012	257077		OR 2037-1.78X9.25		
0012	264671				
0013	260320		BOILER ASSEMBLY 1100W 120V 800CC		
0014	09029814		SCREW FOR PLAST. 3,5X8		
0015	260343		800CC BOILER INSULATION RIGHT/LEFT		
0016	258915		39X5CM CLAMP		
0017	256280		L ROTATING WITH OR 6-1/8 DELEADED		
0018	258904		6-1/8 L-SHAPED JOINT WITH O-RING		
0019	261357		CAP STAINLESS STEEL		
0020	259716		BOILER SUPPORT 800CC		
0021	257593		THERMOSTAT CAMPINI 155° C		
0022	259710		TERMOTEG SUPPORT		
0023	258764		24V 2-WAY SOLENOIDS - SLEEVES 316-		
0024	258914		D.7 QUICK COUPLING D.6 HOSE CONNECTION		
0025	260824		INLET WAND H2O Z 4000 ES/FB		
0026	094611		GASKET O-RING 2018		
0027	260051		SOLENOID ASSEMBLY WITH FITTINGS		
0028	39701300		CABLE GLAND DIA. 30		
0029	0V2127		RUBBER BUSHING D.10		
0030	0V2058		BRACKET WATER CONNECTION		
0031	093091		PUMP DAMPER		
0032	259712		COFFEE UNIT FITTING BRACKET		
0033	09026710		SCREW SKR. FLH. M4X6		
0034	258625		VOLUMETRIC COUNTER D.1,8 - WHITE-		
0035	0V0907		9 BAR BY-PASS		
0036	252407		NON-RETURN VALVE-AISI316-		
0037	0V0782		O-RING 2025		
0038	251275		PUMP EP5 120V 60HZ PLASTIC -WHITE BODY-		
0039	31017200S		WATER INLET SOLENOID ASSY. 7100	only for 41535400 WATER INLET SOLENOID	
0040	0V2510		POMPE SUPPORT		

Pos.	Item	Repl. by	Description	Notes	Price (USD)
0041	094231		UNION T-SHAPE		
0042	097435		WATER FILTER VOLUMETRIC COUNTER		
0043	097512		SILICONE HOSE 6X12 BROWN		
0044	093957		TUBE CLAMP		
0045	259796		AIR-BREAK TANK FLOAT		
0046	0V1749		WATER/AIR-BREAK CONNECTION		
0047	0V1141		MICROSWITCH		
0048	259777		AIR-BREAK ASSY.		
0049	252021		PIPETTE		
0050	259720		LOWER SUPPORT OF Z4000 PLATE		
0051	0V1301		110 DEGREES THERMAL OVERLOAD		
0052	093171		OUTER FIXING COLLAR DIAM MM6		
0053	259719		FRONT OVER OF HYDRAULIC SYSTEM		
0054	260313		BOILER SENSOR STOP		
0055	260448		FLANGED NUT M4X6		
0056	260317		ESPRESSO SHELF WIRING - USA -		
0057	35169701		REDUCT. FITTING 3/4"-1/2" 7100		
0058	091420		ADJUSTABLE COLLAR		
0059	255028		SELF-TAPPING SCREW 3,9X9,5		
0060	090148		CLIP		
0061	258490		CABLE CLIP		
0062	097510		SILICONE HOSE 5X9 BROWN		
0063	099107		NUT		
0064	258646		L. 280 BOILER TUBE-PUMP ASSEMBLY		
0065	097685		SILICONE HOSE BROWN 7,5X12		
0066	255539		PE PIPE 4 X6 51SH LPDE 3020D		
0067	257049		CAP FEM. 6 DEP.		
0068	258814		TEFLON PIPE 2.5X4		
0069	254565		SILICONE HOSE 5X9 -BLUE-		
0070	255937		SCREW M4X14		
0071	259784		ANTI-OVERFLOW ASSEMBLY		
0072	256919		CAP -WHITE-		
0073	257106		COIL POWDER 10W		
0074	258874		2-WAY ELECTROVALVE SLEEVE W/ORING -VERS.24V-HIGH PERF. -		
0075	099059		VALVE-BUSH-GASKET		
0076	099058		NUCLEUS INSTANT-E.V.		
0077	257047		FITTING STRAIGHT CYL. 6-1/8		
0078	257077		OR 2037-1.78X9.25		



Pos.	Item	Repl. by	Description	Notes	Price (USD)
0001	099472		LEFT SCREW		
0001	252378		LEFT-HAND SCREW THREAD		
0002	099471		SPRING		
0003	259801		GRINDER INTERFACE		
0004	259800		LOWERED UPPER GRINDER HOLDER		
0005	095805		GASKET O-RING		
0005	252383		GASKET O-RING		
0006	261212		BRUSHES -UL-		
0007	255033		SELF-TAPPING SCREW 4X10		
0008	255032		TREFOIL SCREW M4X10		
0009	096988		WASHER		
0010	298145		GRINDER-HOLDER FAN		
0011	298155		RADIAL BEARING		
0012	093171		OUTER FIXING COLLAR DIAM MM6		
0013	255937		SCREW M4X14		
0014	099474		REGULATION SCREW		
0015	251778		FEELER BOARD		
0016	099484		LITTLE RUBBER		
0017	259752		COFFEE CONVEYOR		
0018	251961		COFFEE EXIT SHUTTER		
0019	260859		DOUBLE SHUTTER BRACKET B2C		
0020	255062		BELT COVER		
0021	298151		PULLEY ASSEMBLY		
0022	255491		WASHER 4.3X12		
0023	257058		SCREW TSPC-H M3X6		
0024	298152		BELT		
0025	298144		BELT SLIDE		
0026	298143		SCREW M5X16		
0027	298147		REDUCER BODY		
0028	256419		MOTOR GRINDER 120V60HZ		
0028	259751		GRINDER SHELF LOCKING BUSHING		
0029	260561		MANUAL ADJ. GRINDER HO.RE.CA.120V 60HZ -		
0029	261044		MANUAL ADJUSTMENT GRINDER ASS.-120V-HO.RE.CA.-		
0030	259727		DOUBLE COFFEE CHUTE		
0030	260639		3-COFFEE CHUTE		
0031	260318		GRINDER WIRING - USA -		
0032	258714		CLOSING SHUTTER-BEAN TO CUP-		
0033	258713		CONTAINER OPENING-BEAN TO CUP-		
0034	259790		2 ES. CONTAINER		
0035	259789		CONTAINER COVER		
0036	259794		CONTAINER BULKHEAD		
0037	259721		COFFEE CONTAINER SUPPORT		
0038	262208		CONTAINER SEPARATOR		
0039	255027		SELF-TAPPING SCREW 3,9X6,5		
0040	259713		2 BEAN TO CUP SUPPORT COVER		
0041	257157		EARTH WIRING GRINDER SHELF		

Pos.	Item	Repl. by	Description	Notes	Price (USD)
0042	258465		MAGNET		
0043	255029		SCREW M4X10		
0044	259785		COFFEE CONTAINER ASSEMBLY -2 BEAN TO CUP-		
0045	987628		EJOT-PT-SCREW 3X8		
0046	258805		DOUBLE GRINDER PIN		
0047	298168		2 GRINDERS CAP -2 COFFEE-		
0048	255724		SELF-TAPPING SCREW 4X8		
0049	257546		CAP D.24		
0050	254469		GRINDER-16 BREAKING TEETH-		



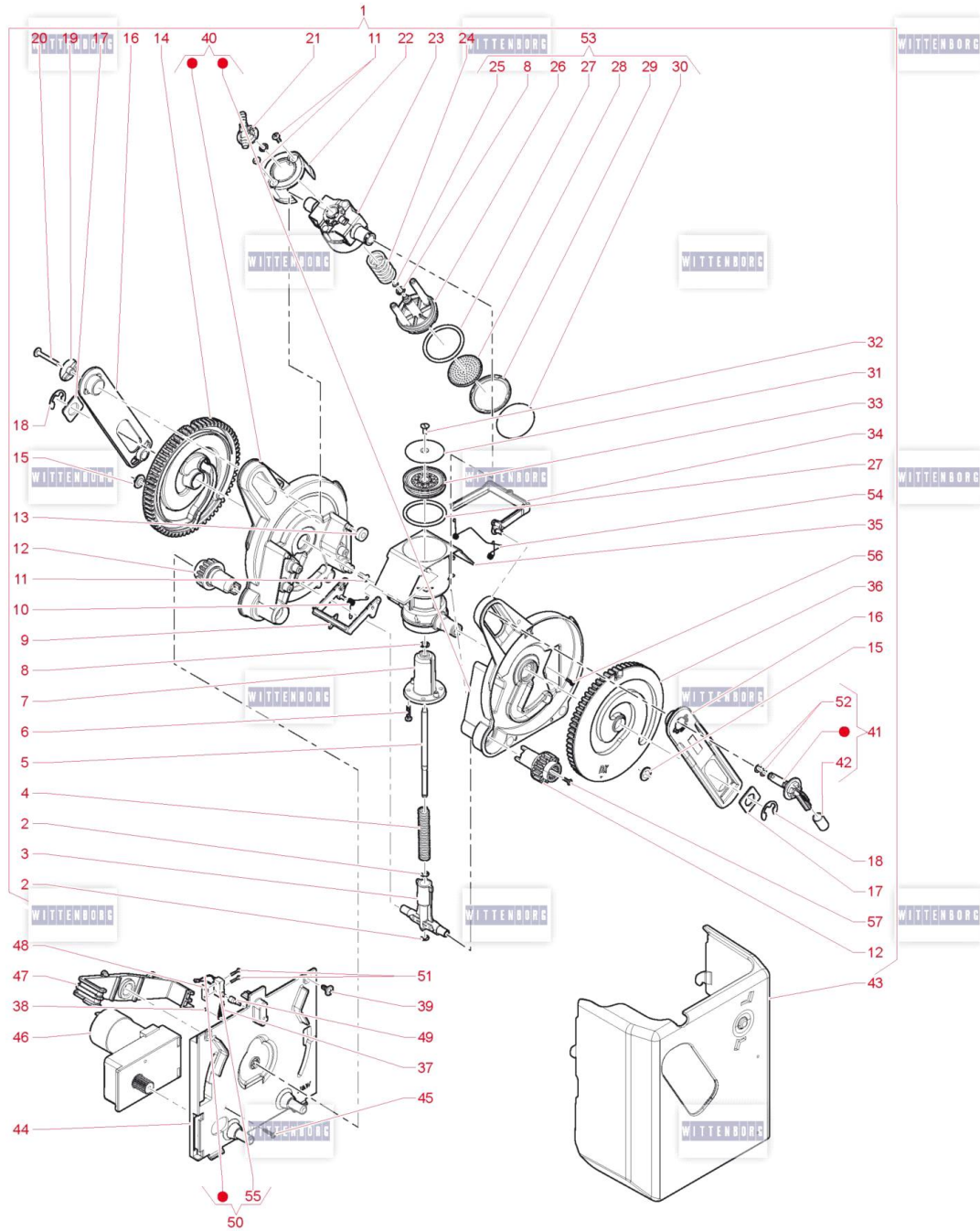
Pos.	Item	Repl. by	Description	Notes	Price (USD)
0001	260559		BLUE POWDER LABEL -USA-		
0002	259435		DIFFUSER CAP		
0003	39586200		CONTAINER RING NUT 7X00		
0004	259431		2.7 LT CONTAINER BODY		
0005	39633900		CONTAINER ENDLESS SCREW 7X00		
0006	39593600		CONTAINER FELT 7X00		
0007	39586300	260955	CONTAINER SEAL BUSHING 7X00		
0008	39729600		CONTAINER ENDLESS SCREW JOINT7X00		
0009	09256303		SPRING MECHANISM INSERT 4.6X11.1BM31318		
0010	259787		CONTAINER WHEEL PIN		
0011	39578300		CONT. SPRING COUPLING		
0012	259788		2.7L CONTAINER COVER		
0013	39519700		CONTAINER WHEEL 7X00		
0014	29595800		CONTAIN. WHISK EYELET 7X00		
0015	29609900		CONTAIN. WHISK SPRING 7X00		
0016	09124306		RETAINER U8X0,8 A2		
0017	256658		NOZZLE INSTANT		
0018	39762200		COUNTER OPENING SPOUT L= 60		
0019	39762900	261230			
0020	259797		ASSEMBLY WHEEL+ BEATER		
0021	262953		2.7L CONTAINER ASSY. LEFT CUTPIPETTE-WHEEL+ BEATER-		
0022	260151		DIFFUSER SUPPORT NOZZLE D. 4.5		
0023	262954		2.7L CONTAINER ASSY. RIGHT CUTPIPETTE-WHEEL+ BEATER-		
0024	41534501		SOLUBLES GEAR MOTOR		
0025	256634		MOTOR FASTENING BOX		
0026	259702		CONTAINER SHELVES		
0027	259734		POWDER CONTAINER STOP BUSHING		
0028	098600		CHOCK		
0029	259731		FAN FLANGE		
0030	259231		NUT M4		
0031	259996		FAN SEAL		
0032	251867		12 V DC FAN -0.12A-		
0033	259397		SHIM		
0034	259997		FAN SUPPORT		
0035	094030		OUTER CAP		
0036	252979		HOSE CONNECTION FLANGE		
0037	260367		POWDER CONTAINER CAP		
0038	298117		COUPLING PIECE FOR EXTRACTION		
0039	39706401		SOLENOID VALVE COUPLING MIXER7100		
0040	256919		CAP -WHITE-		
0041	259248		SILICONE HOSE 9X13 -BLUE-		
0042	254565		SILICONE HOSE 5X9 -BLUE-		
0043	260794		MOTOBLENDER SUPPORT		
0044	263321		ESFB NOZZLE -N. 4-		
0045	260795		24V+ PCB MOTOBLENDER		

Pos.	Item	Repl. by	Description	Notes	Price (USD)
0046	260792		MOTOBLENDER BUSHING		
0047	39726000		FITTING HOT WATER ES 7100		
0048	260793		MIXER PLATE		
0049	39740200		MIXER SOLENOID GASKET 7100		
0050	298001		POWDER TRAP REAR PART		
0051	298002		POWDER TRAP FRONT PART		
0052	39719300		MIXER FUNNEL COVER		
0053	256074		MIXER RING NUT		
0054	39719400		FUNNEL 180° MIXER		
0054	39719500		FUNNEL 45° MIXER		
0055	261881		MIXER SUPPORT PLATE		
0056	256427		ASSY. MIXER BODY 180° + RING NUT		
0056	256428		ASSY. MIXER BODY 45° + RING NUT		
0057	262957		WHEEL ASSY.+ BEATER 2.7L		
0058	261256		SEAL 31.42X2.62		
0059	261241		NOZZLE ARM		
0060	09256303		SPRING MECHANISM INSERT 4.6X11.1BM31318		
0061	260109		SHAFT MIXER FAN 4MM		
0062	42400400		7100 MIXER WHISK WIRING		
0063	264277		180° MIXER ASSEMBLY (NEW WITT)		
0064	262955		BEATER SPRING		
0065	255493		SCREW M4X10		
0066	259761		ES/FB SHELF WIRING		
0067	259624		DIFFUSER SEMI-LABYRINTH		
0068	251757		SILICONE OR SEAL GASKET		
0069	256702		DIFFUSOR ASSY. Z 4000 ES/FB		
0070	262956		WHEEL		
0071	257364		POUR NOZZLE		
0072	250827		KNOB M4X16		
0073	259750		DIFFUSOR DOOR NOZZLE		
0074	259012		COFFEE NOZZLE WITH CROSS		
0075	987610		EJOT-PT-SCREW 50X16		
0076	259235		PIPE GUIDE SPIRAL -D= 14-		
0077	256721		DIFFUSER BODY COVER Z 4000ES/FB		
0078	261230		MEDIUM SIZE POWDER CONVEYOR		
0079	256093		SILICONE PIPE 6.7X12 COL. BLUE		
0080	252097		BLACK PVC PIPE D.25(A METER)		
0081	090148		CLIP		
0082	259733		POWDER CONTAINER STOP		
0083	39758800		90° PIPE FITTING 9X13		
0084	097685		SILICONE HOSE BROWN 7,5X12		
0085	256720		DIFFUSER BODY Z 4000 ES/FB		
0086	255724		SELF-TAPPING SCREW 4X8		
0087	261103		ADAPTER FOR NOZZLE		
0088	262949		2.7 L CONTAINER ASSY. LEFT- WHEEL+ BEATER-		

Pos.	Item	Repl. by	Description	Notes	Price (USD)
0088	262950		2.7L CONTAINER ASSY. - WHEEL+ BEATER-		
0089	261041		ENDLESS SCREW ASSY.		
0090	260955		SEAL		
0091	260953		CONTAINER WASHER		
0092	260952		SCREW		

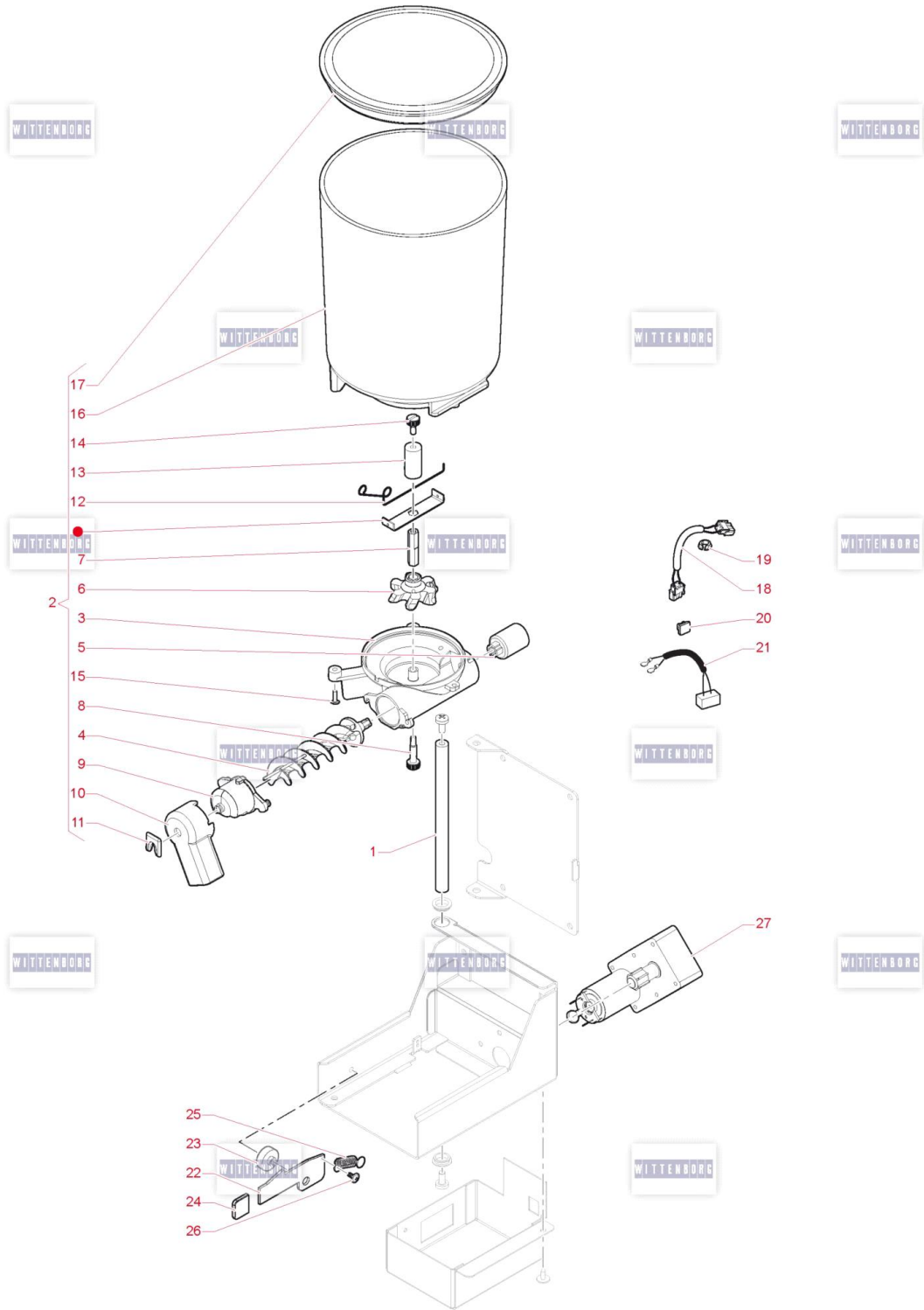


9100 ESPRESSO - FRESH BREW - 120V 60HZ

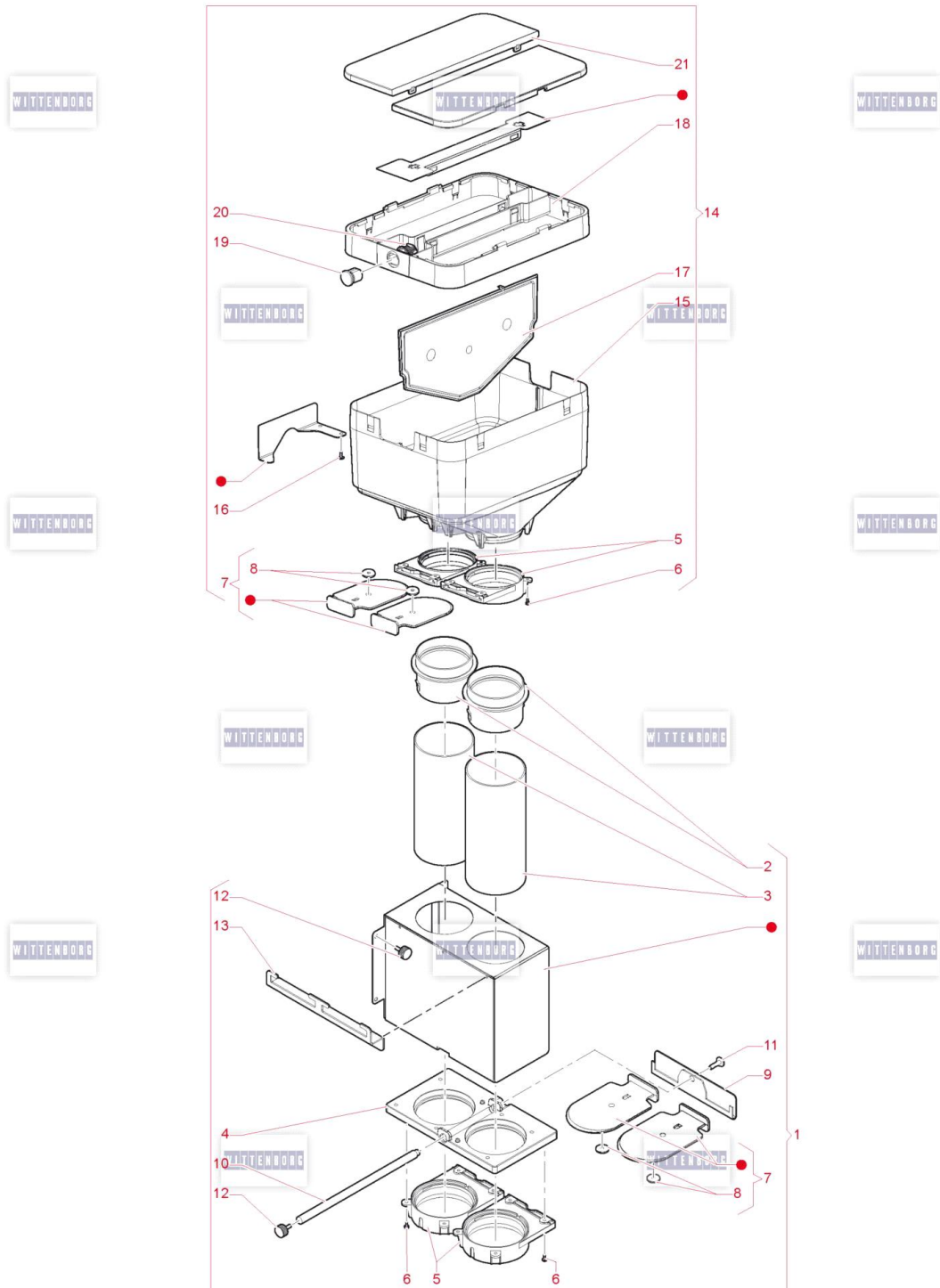


Pos.	Item	Repl. by	Description	Notes	Price (USD)
0001	261520		Z 4000 GROUP CHAMBRE Ø46 ES/FB-RIGHT-		
0001	262926		Z 4000 ES/FB (7-14 G) ASS.		
0002	098818		STOPPING RING D. 4		
0003	254670		PISTON ROD GUIDE D. 46		
0004	098688		PISTON RETURN SPRING		
0005	254666		PISTON ROD D. 46		
0006	259058		SELF-TAPPING SCREW 4X16		
0007	254669		BOTTOM D. 46		
0008	0V0782		O-RING 2025		
0009	256756		TOP SCRAPER		
0010	254328		SCRAPER SPRING		
0011	255034		PLAIN TIP SELF-TAPPING SCREW 4X12		
0012	262496		PINION		
0013	099457		WASHER		
0014	254675		LEFT CRANK D. 46		
0015	254667		RETAINER WASHER		
0016	254665		CONNECTING ROD D. 46		
0017	254654		GUIDE SLIDING BLOCK		
0018	096569		FIXING COLLAR DIAM 12		
0019	254655		UPPER PISTON KEY		
0020	256251		CHEESE-HEAD SCREW TCC-H FZ M4X30		
0021	256755		OUTLET NOZZLE FB Z 4000 ES/ FB		
0022	256752		COVER FOR TOP CYLINDER		
0023	256751		TOP CYLINDER		
0024	256746		VALVE SPRING FB Z 4000 ES/ FB		
0025	254650		GASKET O-RING 1,9X2,4		
0026	260204		Z 4000 ES/FB TOP PISTON		
0027	251757		SILICONE OR SEAL GASKET		
0028	256753		SUPPORT FILTER ES/FB		
0029	256754		RING NUT FILTER FASTENING		
0030	256737		COFFEE FILTER ES/FB		
0031	251755		DIAM. 42 COFFEE FILTER		
0032	261474		M4X10 SCREW WITH SCREW LOCKER		
0033	256748		BOTTOM PISTON 10MM Z 4000 ES/FB		
0034	256760		BOTTOM SCRAPER Z 4000 ES/ FB		
0035	254668		BREWING CHAMBER D. 46		
0036	254674		RIGHT CRANK D. 46		
0037	253220		LEVER SPRING		
0038	987628		EJOT-PT-SCREW 3X8		
0039	255937		SCREW M4X14		
0040	254678		RH-LH SUPPORT D. 46		
0041	260549		ESPRESSO VALVE ASSEMBLY WITH ADAPTER		
0041	260787		ESPRESSO VALVE ASSEMBLY		
0041	262038		ESPRESSO VALVE ASSEMBLY-JDE-		
0042	257594		ADAPTER FOR VALVE ES		
0043	259724		Z 4000 COVER LEFT		

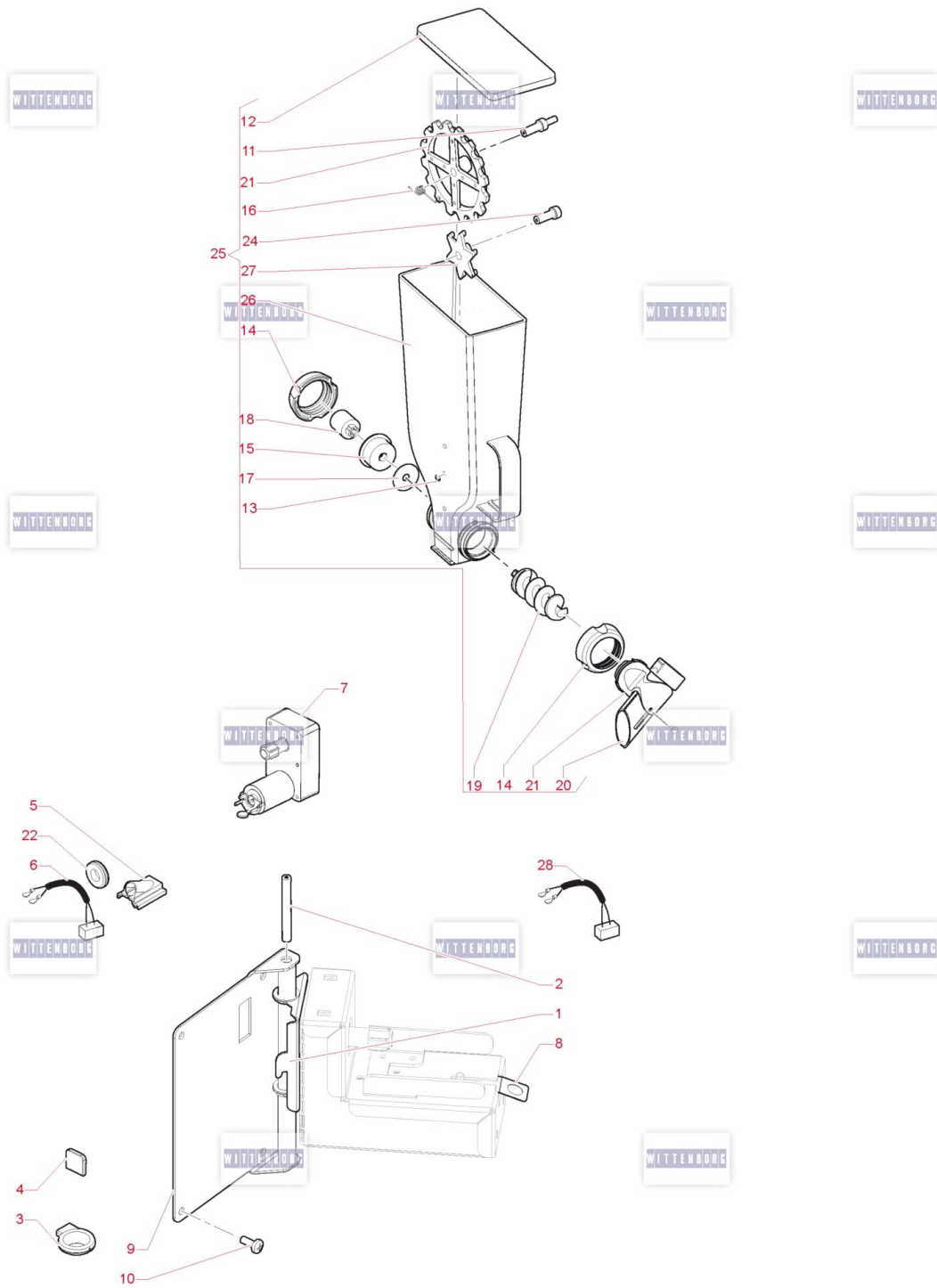
Pos.	Item	Repl. by	Description	Notes	Price (USD)
0044	259729		Z 4000 SUPPORT PLATE LEFT		
0045	254432		3.5X15 SELF-TAPPING SCREW		
0046	256686		GEAR MOTOR ENCODER 24V DC		
0047	254805		Z 4000 D. 46 GROUP COUPLER		
0048	30448800		MICRO FASTENING PLATE 7100		
0049	255084		MICRO REFERENCE PIN		
0050	298173		MICRO WITH WIRING		
0051	09004002		SCREW M2X12		
0052	257306		GASKET OR 4.9X1.9		
0053	260228		ASSEMBLED UPPER PISTON		
0054	260144		DOUBLE SCRAPER SPRING		
0055	254660		MICROSWITCH		
0056	256198		SCREW AF MP TCBC-H-TZ 4.5X12		
0057	255031		SELF-TAPPING SCREW 4,2X26		



Pos.	Item	Repl. by	Description	Notes	Price (USD)
0001	39641400		MIXER SHELF PIN CV7200		
0002	261026		ASSY. CONT. R&G 3 COFFEE		
0003	260345		R&G DOSER SUPPORT		
0004	261043		ENDLESS SCREW WITH PLUG ASSY.		
0005	39729600		CONTAINER ENDLESS SCREW JOINT7X00		
0006	256763		TOOTHED WHEEL DOSER R&G		
0007	260556		BEATER PIN		
0008	261145		WHEEL FASTENING PIN R&G		
0009	260347		R&G COFFEE NOZZLE		
0010	260640		COFFEE CLOSURE AND CHUTE		
0011	256730		STOP CONTAINER WHEEL		
0012	261037		MIXER R&G 3 COFFEE		
0013	261040		BOTTOM		
0014	252948		KNURLED NUT		
0015	987628		EJOT-PT-SCREW 3X8		
0016	260638		INNER CONTAINER		
0017	260636		INNER CONTAINER COVER		
0018	261025		LH DOSER EXTENSION CABLE		
0019	0V3165		BUSHING		
0020	255025		ADHESIVE CABLE RETAINER		
0021	42407900		SIDE BRACKET WIRING		
0022	261018		CONTAINER LOCK LEVER		
0023	261024		ROTARY BUSHING FOR BLOCK		
0024	298165		HOOD PVC GREEN		
0025	254509		SELECTION LEVER SPRING		
0026	255937		SCREW M4X14		
0027	41534501		SOLUBLES GEAR MOTOR		



Pos.	Item	Repl. by	Description	Notes	Price (USD)
0001	261035		CONT. ASSY. INF. 2B2C SKY COFFEE		
0002	256757		COFFEE CONTAINER/GRINDER INTERFACE		
0003	261023		B2C PIPE-SKY COFFEE-		
0004	260642		COFFEE FUNNEL ADAPTER		
0005	258713		CONTAINER OPENING-BEAN TO CUP-		
0006	258986		2.9X6.5 SELF-TAPPING SCREW		
0007	258714		CLOSING SHUTTER-BEAN TO CUP-		
0008	258465		MAGNET		
0009	261020		SHUTTER BRACKET-SKY COFFEE-		
0010	261022		SHUTTER ROD-SKY COFFEE-		
0011	260448		FLANGED NUT M4X6		
0012	252384		KNOB M4X10		
0013	261021		SHUTTER BLOCK-SKY COFFEE-		
0014	263961		2B2C SKY COFFEE TOP CONTAINERASSEMBLY		
0015	260637		OUTER CONTAINER		
0016	255724		SELF-TAPPING SCREW 4X8		
0017	260641		SEPARATOR 50/50		
0018	260634		OUTER CONTAINER FRAME		
0019	261039		CAP CONTAINER-SKY COFFEE-		
0020	261038		BUSHING CONTAINER-SKY COFFEE-		
0021	260635		OUTER CONTAINER COVER		



Pos.	Item	Repl. by	Description	Notes	Price (USD)
0001	260161		ADDITIONAL CO. FASTENING BRACKET		
0002	39641400		MIXER SHELF PIN CV7200		
0003	39761000		MIXER FUNNEL COVER CV7200		
0004	298165		HOOD PVC GREEN		
0005	39420500		PIPE-WIRING FEEDTHROUGH		
0006	42407900		SIDE BRACKET WIRING		
0007	41534501		SOLUBLES GEAR MOTOR		
0008	39762500		MIXER SPRING CONNECTION ASSY. 7200		
0009	260162		ADDITIONAL CO. FASTENING PLATE		
0010	255493		SCREW M4X10		
0011	260579		1,5 L CONTAINER WHEEL PIN		
0012	39755800		CONTAINER COVER 1.5 LT		
0013	253942		D. 3.2 ELASTIC RING		
0014	39586200		CONTAINER RING NUT 7X00		
0015	260955		SEAL		
0016	260580		BEATER HOOK SPRING		
0017	260953		CONTAINER WASHER		
0018	39729600		CONTAINER ENDLESS SCREW JOINT7X00		
0019	39756400		CONTAINER ENDLESS SCREW 1.5 LT		
0020	261231		LARGE SIZE POWDER CONVEYOR		
0021	39519700		CONTAINER WHEEL 7X00		
0022	39404107		WHIPPING D.14		
0023	39587300		CONTAINER OPENIGN SPOUT 7X00		
0024	260578		SMALL WHEEL PIN		
0025	260577		1.5 L CONTAINER ASSEMBLY WITHWHEEL		
0026	260581		1.5 L POWDER CONTAINER FOR WHEEL		
0027	260582		SMALL WHEEL		
0028	261268		WIRING THIRD COFFEE		