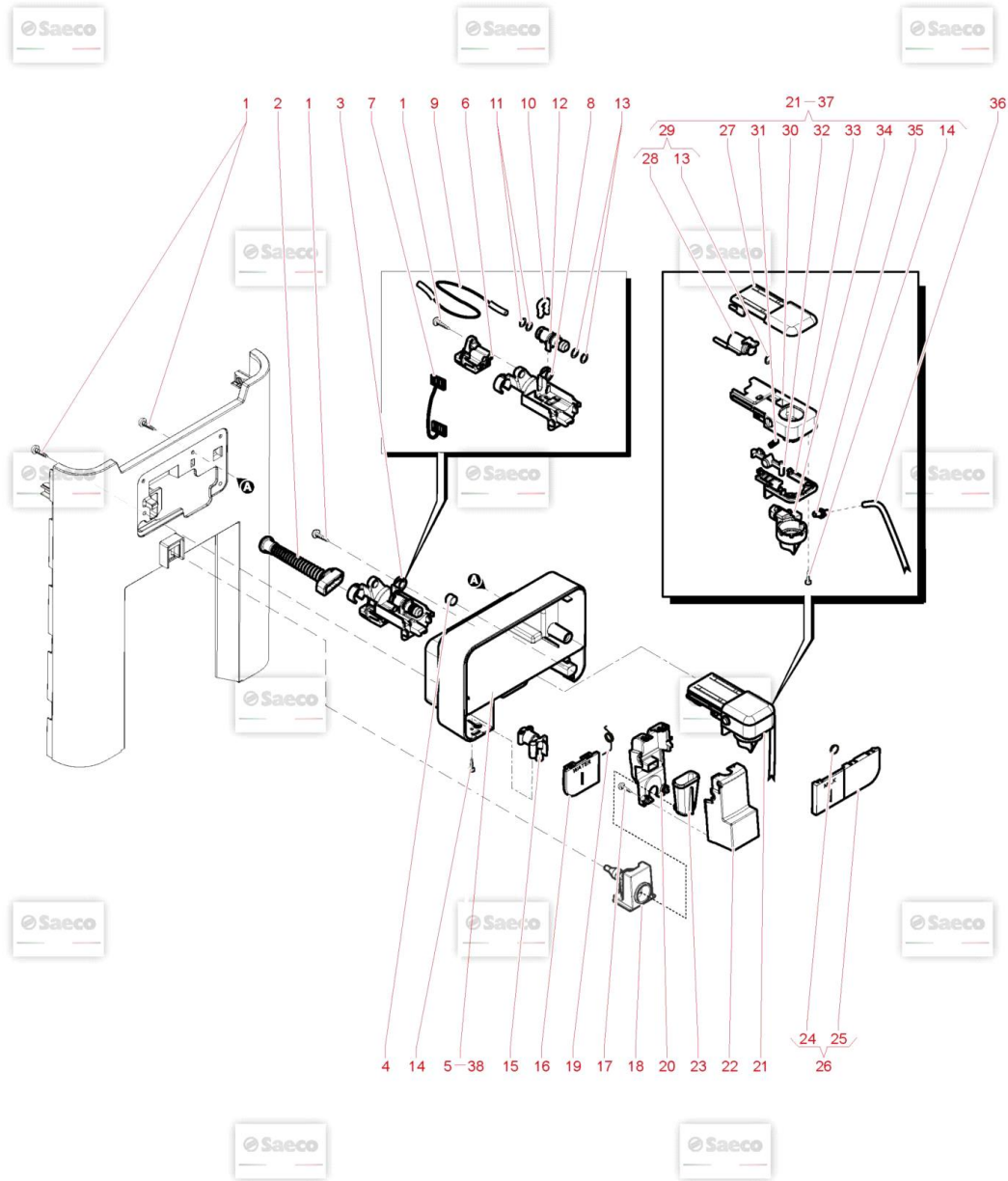


Pos.	Item	Repl. by	Description	Notes	Price (USD)
0001	11035604		BLACK water tank lid Nocs		
0002	421944059131		WATER CONTAINER HANDLE NOCS		
0003	224640200		WHITE WATER CONTAINER EXT.FILTER ASSY.		
0004	140324362		OR ORM 0060-30 SILICONE		
0005	126764718		SS WATER CONTAINER VALVE SPRING		
0006	421941089692		GREY WATER VALVE V2 CONTAINERPISTON		
0007	421944048921	17004016	WATER TANK NOCS		
0008	17004016		water tank assy.Nocs		
0009	12000450		SCREW TCBR TORX 10 3,5X12 PLAST.ZN-N		
0010	11035602		BLK TANK SUPPORT NOCS		
0011	421941306721		CPU+ SW WATER LEVEL SENSOR V3 ASSY.		
0012	145842900		NBR WATER CONT.VALVE GACO DIM14 SEAL		
0013	421944049521		WATER TANK PIPE CONNECTOR NOCS		
0014	421944066231		SX UPPER COVER SUPPORT NOCS		
0015	11035603		BLK SAECO SIDE Nocs		
0016	11034453		Microswitch driptray Area Assy.		
0017	12001890		MICROSWITCH XG/V3D		
0018	11034401		3Poles conn.driptray micro Area Assy.		
0019	421944059611		STEAM GRID NOCS		
0020	421944006631		BLK MECH.OPENING LEVER PROTECTION TRX5		
0021	17004133		NOCS CLB BLK MAN LEV UP COV.	LB	
0022	12000895		SCREW TSP TORX 10 3X10 PLAST.SS		
0023	11035663		UPPER COVER ASSY CLN MAN BCK NOCS	NE	
0024	11035419		CROMED MECHANICAL LEVER NOCS		
0025	421944049771		Blk internal structure Nocs		
0026	421944049531		Black base Nocs		
0027	421324705256		FOOT		
0028	11035601		NOCS BLACK FRONT PANEL		
0029	9111.765		GRATE		
0030	11025054		FAN 40X40X20 24V		
0031	123453102		GALV.SELF LOCK NUT HIGH M4 DIN982		
0032	17000391		BLACK WATER LEVEL SENSOR SUPPORT RYL		
0033	421944058421		DX UPPER COVER SUPPORT NOCS		
0034	11029304		BLACK ELECTROVALVE DRAIN CONNECTOR TRX4		
0035	421944058591		UPPER GRID PIN NOCS		
0036	17004095		UPPER GRID ASSY.Nocs		
0037	17004119		chromed fixed grid Saeco Nocs		
0038	421944048901		Blk upper tray Nocs		
0039	11035605		BLK Lower tray Nocs		
0040	17004104		BOX INSERT NOCS		
0041	11035440		PACK BOX NOCS AREA		
0042	11036502		AREA GRID ELEVATION 20+ 20		

Pos.	Item	Repl. by	Description	Notes	Price (USD)
0043	12001700		SCREW TCB M4X30 UNI 7687 ZNP		
0044	11037037		BLACK UL LAVAZZA SIDE NOCS	120V-NA	
0045	11037036		BLACK UL TANK SUPPORT NOCS	120V-NA	
0046	11000069		UPPER COVER ASS.CLN MAN BCK UL	120V-NA	
0047	17004112	264327	UL internal structure Nocs	120V-NA	
0048	17004110		UL BASE NOCS	120V-NA	
0049	11036352		USA BLACK WATER TANK LID NOCS	120V-NA	
0050	11036080		WATER CONTAINER HANDLE NOCS UL	120V-NA	
0051	11036095		WHITE WATER CONTAINER EXT.FILTER ASSY.UL	120V-NA	
0052	11003229		GREY WATER VALVE PISTON LAV.NSF ASSY.	120V-NA	
0053	11035977		USA WATER TANK NOCS	120V-NA	
0054	11036037		WATER TANK ASSY.UL NOCS	120V-NA	
0055	11037038		NOCS CLN BLK UL MAN.LEV.UP COV	120V-NA	
0056	11035664		UPPER COVER ASSY CLB MAN BCK NOCS	LB	
0057	11037035		UL BLACK FRONT PANEL NOCS	120V-NA	
0058	17004234		NOCS CLN BLK MAN.LEV.UP COVER	NE	

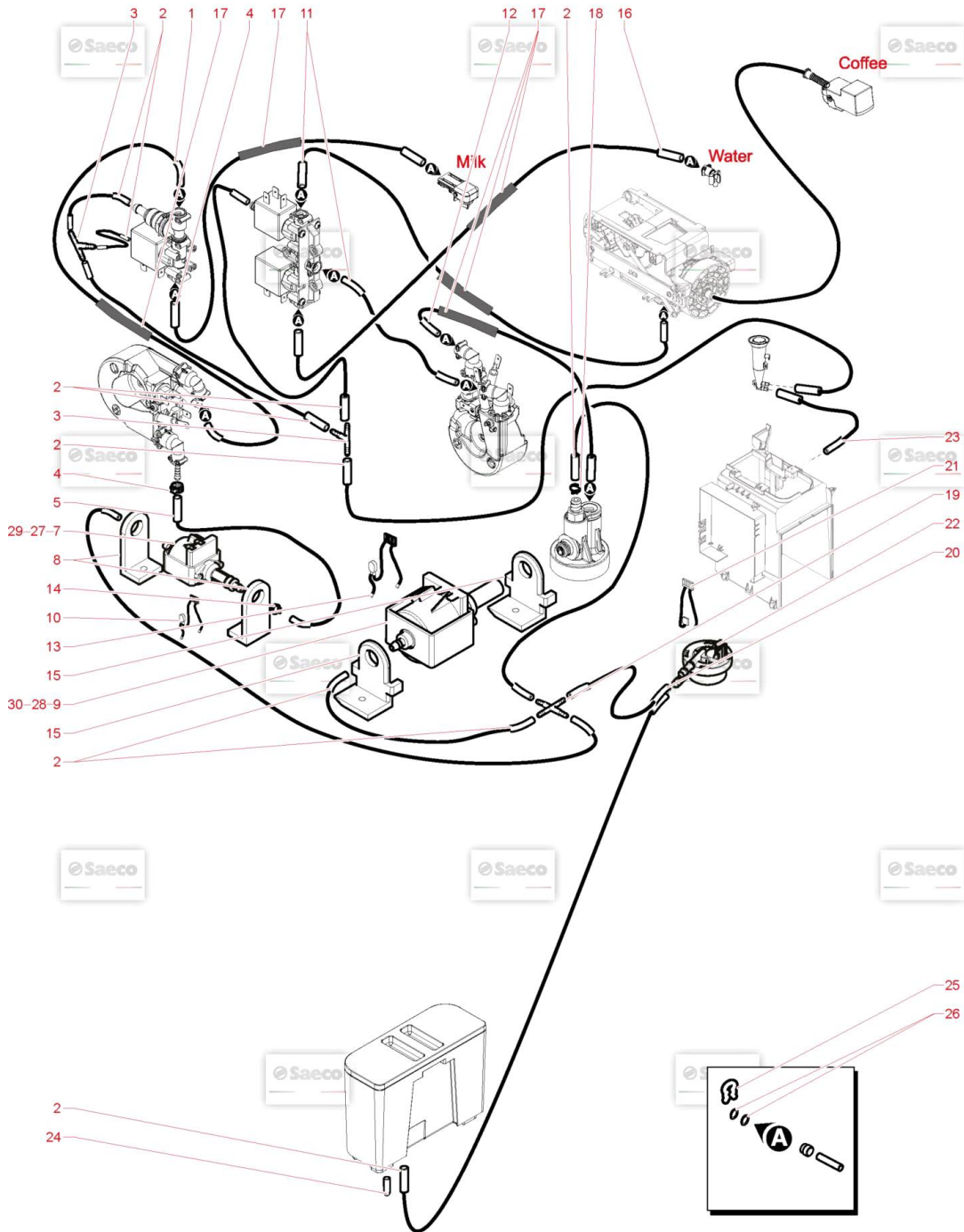


Pos.	Item	Repl. by	Description	Notes	Price (USD)
0001	12000450		SCREW TCBR TORX 10 3,5X12 PLAST.ZN-N		
0002	17004014		COFFEE DISPENSER TUBE NOCS		
0003	421944066241		INT.CAPP.SUPPORT ASSY NOCS		
0004	9161.111		MAGNET FOR FLOAT SUPERAUT.		
0005	421944056451		CONTROL PANNEL SUPPORT NOCS		
0006	17000556		BLK CAPPUCINATORE BOARD MDS/BASSY.		
0007	11034413		4POLES CONN.MILK CARAFE AREA UL ASSY.		
0008	421944061391		int.capp.support Nocs		
0009	227872600		TEFLON TUBE 2X4 L= 275 MM ASSY		
0010	9011.144		SS FORK FOR TUBE D= 4		
0011	140328059		OR 2015 SILICONE PTFE/FDA		
0012	17001941		STEAM/WATER CONNECTOR MDS/B		
0013	NM01.028		O-RING 106 SILICONE		
0014	12000895		SCREW TSP TORX 10 3X10 PLAST.SS		
0015	421944065611		WATER DISPENSER NOCS		
0016	11035897		TAMP.BLACK WATER FRONT COVER NOCS MAN		
0017	129913202		SCREW TCB TORX 10 3X8 PLAST.ZN-B		
0018	17004233		DISPENSER SIL 60 PLT NERO		
0019	421944060971		COFFE DISPENSER SPRING NOCS		
0020	421944061041		BLACK COFFEE DISP.LOWER COVERNOCS		
0021	17004025		blk cappuc. Assy. NOCS		
0022	11035898		TAMP.BLA COFFEE DISP.UPP. COVER NOCS MAN		
0023	11036011		BLK COFFEE DISPENSER CONNECTING ROD NOCS		
0024	11014016		SS.INSERT FOR MAGNET MYB9		
0025	11035899		TAMP BLACK MILK FRONT COVER SAE NOCS		
0026	11035914		CAPPUCINATORE COVER NOCS MANOTC ASSY		
0027	11029908		BLK UPPER CAPPUCINAT.LID N/S/SCR.MDS/B		
0028	17001962		CAPPUCINATORE STEAM CONNECTORMDS/B		
0029	11035135		CAPPUCINATORE IN.JOIN.MILK ASSY		
0030	17001993		BLACK CAPPUCINATORE CASING MDS/B		
0031	126772518		SS COFF.CREAMADJUSTMENT SHAFTSPRING		
0032	17001433		BLACK LEFT CAPPUCINATORE INSERT MDS/B		
0033	17001438		BLACK LOWER CAPPUCINATORE LIDMDS/B		
0034	17004026		MILK INTAKE+ OUTLET CONN. NOCS		
0035	17001362		BLK MILK INTAKE TUBE CONNECT.INS.V2 RYL		
0036	229363500	9972.206	SILICONE TUBE 3,5X6 L= 400 MM		

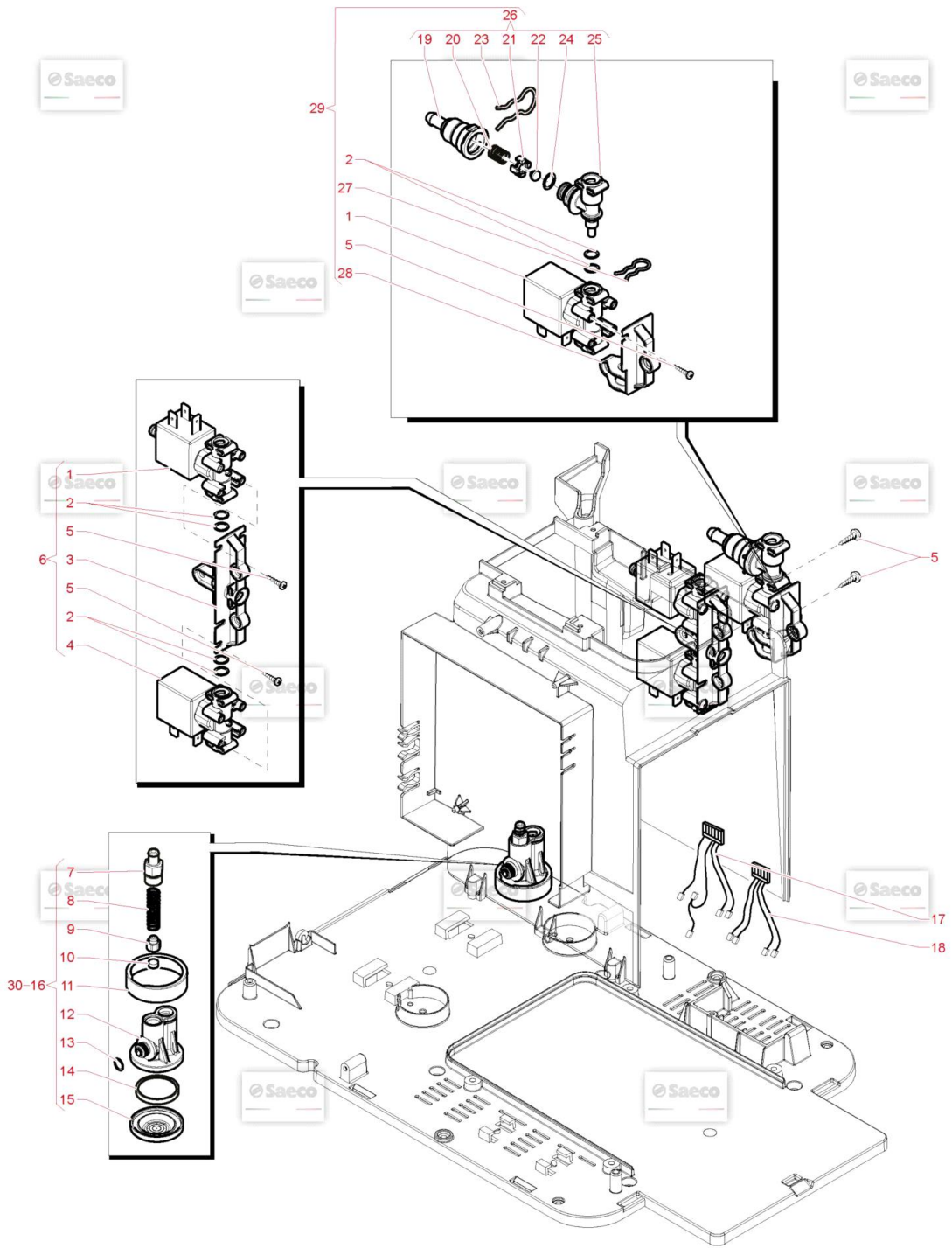
Pos.	Item	Repl. by	Description	Notes	Price (USD)
0037	11036573		black cappuccinatore NOCS UL ASSY	120V-NA	
0038	11036012		CONTROL PANNEL SUPPORT UL NOCS	120V-NA	



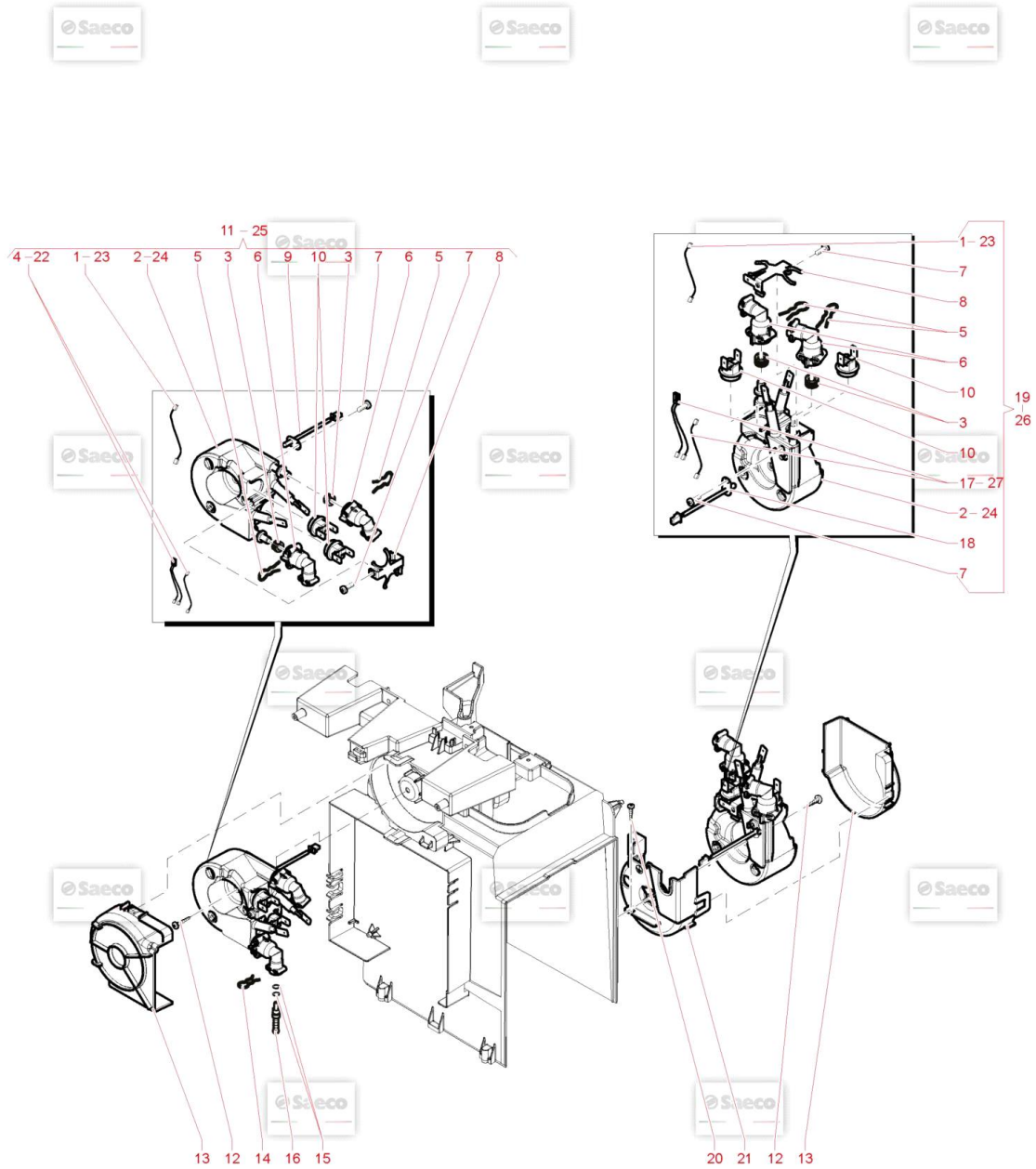
Area OTC



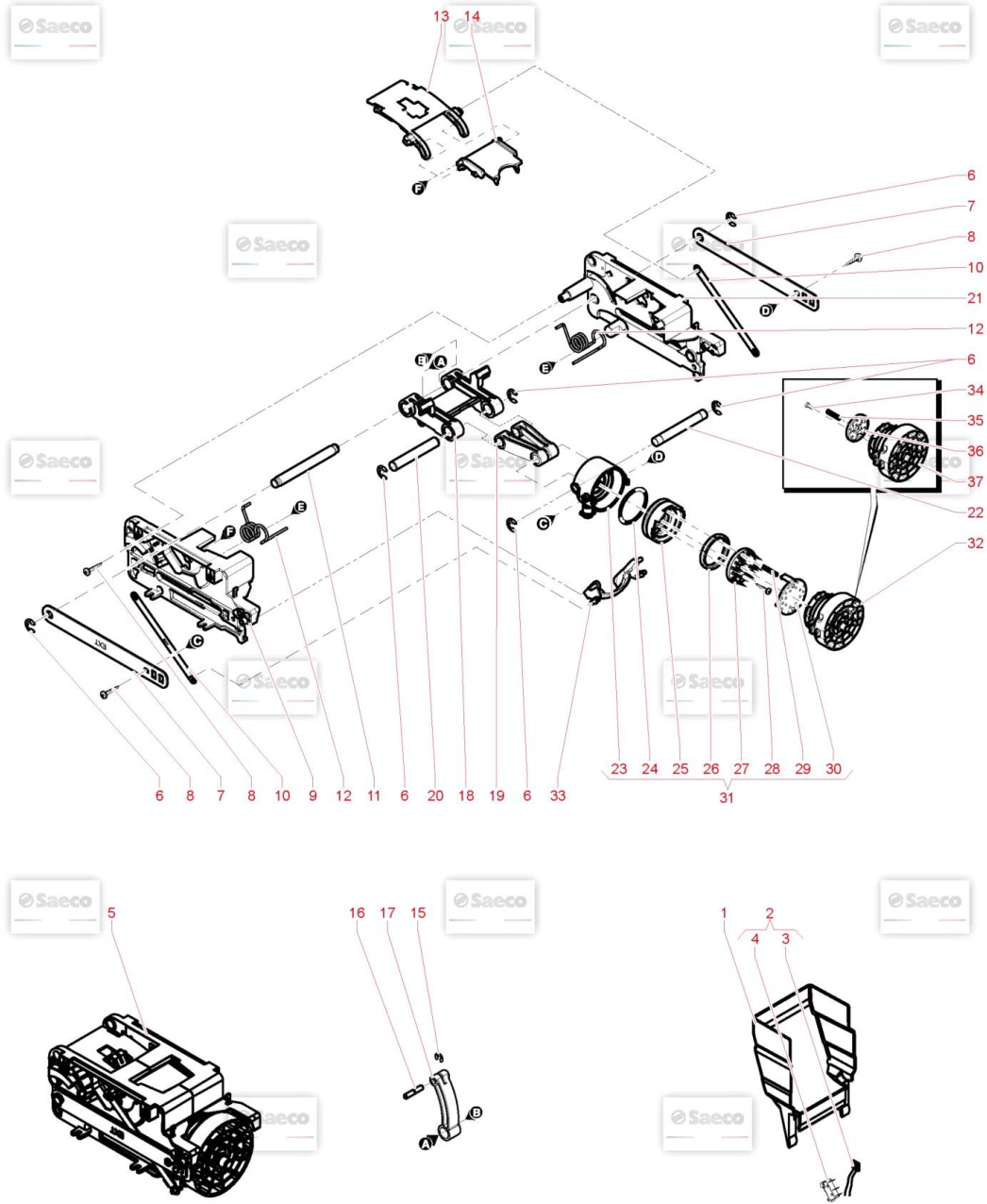
Pos.	Item	Repl. by	Description	Notes	Price (USD)
0001	17004125		TEFLON TUBE 2X4 L= 200 MM ASSY		
0002	11035450		SILICONE TUBE 5X10 L. 2000MM		
0003	17004131		Tee conn. D= 8 PA66		
0004	227872600		TEFLON TUBE 2X4 L= 275 MM ASSY		
0005	12000892		OETIKER CLAMP D= 9,5 16700004		
0006	11001206		PINK 5X8,9 SILICONE TUBE L= 200MM		
0007	12001212		ULKA PUMP MF 230V-50HZ	230V	
0008	11029554		BLACK/SBD ULKA MF PUMP SUPPORT		
0009	12000470		ULKA PUMP EP4/S GW 230V-50HZ	230V	
0010	11034405		2P.CONN.STEAM PUMP AREA UL ASSY.		
0011	11035033		TEFLON TUBE 2X4 L= 170 MM ASSY		
0012	229510200		TEFLON TUBE 2X4 L= 250 MM ASSY		
0013	11034404		2P.CONN.COFFEE PUMP AREA UL ASSY		
0014	NV99.087		BAND D= 11/11,6		
0015	149205850		BLACK TYPE ULKA PUMP W/ BEVEL SUPPORT		
0016	227873100		TEFLON TUBE 2X4 L= 420 MM ASSY		
0017	9972.329		BLACK SILICONE TUBE 7,5X9,3 L. = 2000 MM		
0018	184320200		SPRING HOSE CLAMP D= 9,5MM		
0019	12001812	11036581	TRANSP.CROSS CONNECTOR D= 8 RYLO		
0020	17004237		NOCS CAPILLARY TUBE ASSY		
0021	11034400		6P.CONN.FLOWMETER AREA UL ASSY.		
0022	NV99.099		TURBINE D= 1,2 ASSY.		
0023	421944016701	264843	BLK SILICONE TUBE 8X14 L= 100 MM		
0024	WGADM1908		SILICONE CUP		
0025	9011.144		SS FORK FOR TUBE D= 4		
0026	140328059		OR 2015 SILICONE PTFE/FDA		
0027	12001346		ULKA PUMP MF 120V-60HZ	120V-NA	
0028	12000159		ULKA PUMP EFP4/S 120V-60HZ	120V-NA	
0029	12001348		ULKA PUMP MF 220V-50/60HZ	220V	
0030	12000981		ULKA PUMP EP4/S GW 220V-60HZ	220V	



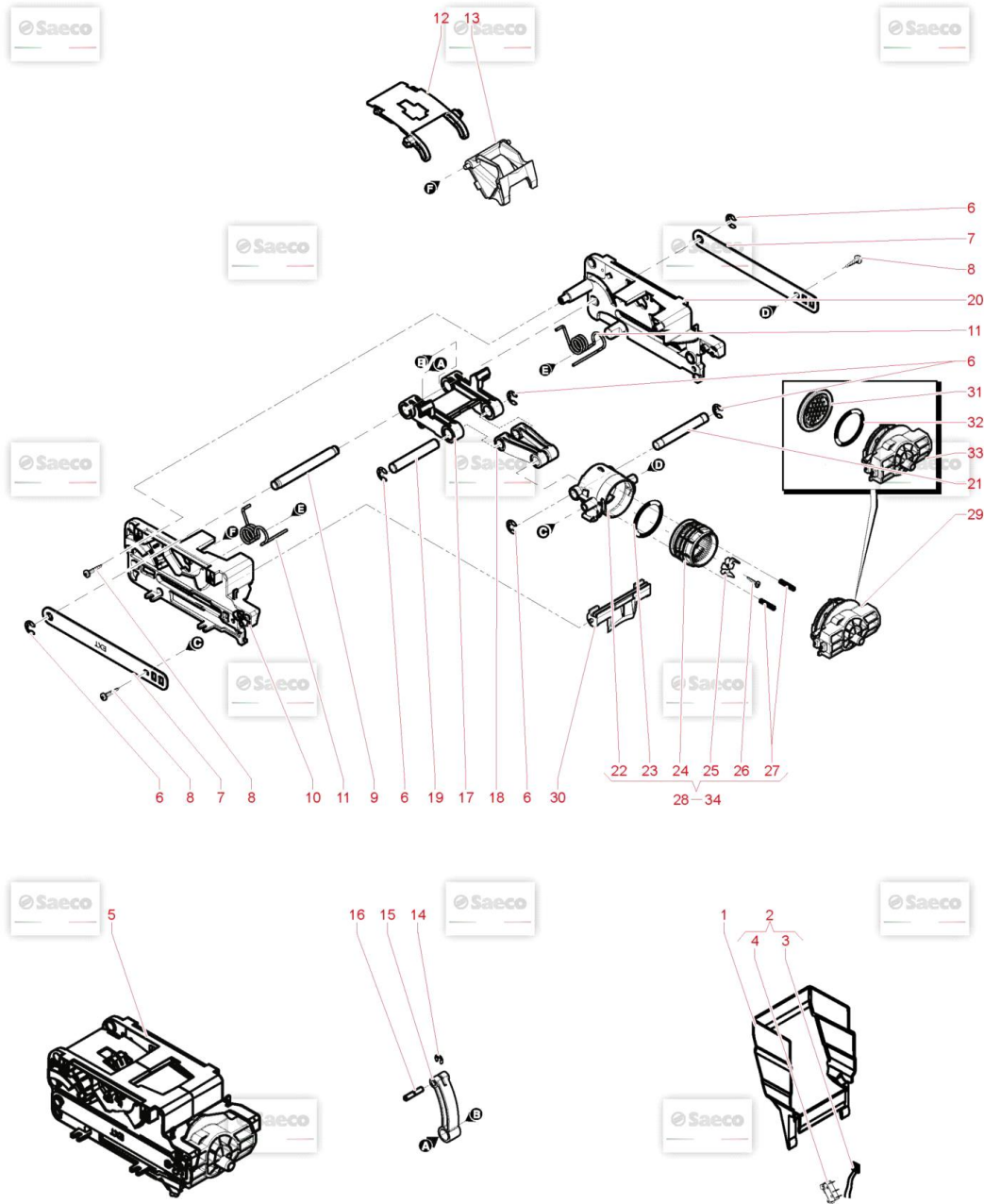
Pos.	Item	Repl. by	Description	Notes	Price (USD)
0001	17004017		3WAY SOLENOID 4 BAR 24V		
0002	140328059		OR 2015 SILICONE PTFE/FDA		
0003	421944002651		BLK ELECTROV.SUPPORT W/ CONNECT.TRX5		
0004	17004022		2 WAY PLAST. VALVE 24V D 2		
0005	12000450		SCREW TCBR TORX 10 3,5X12 PLAST.ZN-N		
0006	11034641		24V ELECTROV.SUPPORT NOCS ASSY.		
0007	263346		STR.FIT.CH10 M10 C/RES.D= 8		
0008	126769218		SS SPRING L= 24 D= 7 FOR NEW SAFETY VALVE		
0009	11001678	11035987	TEA/BRASS BUSH CH 7 FOR SAFETYVALVE		
0010	145848865		VITON SEAL D= 6 TH= 3 FOR SAFETYVALVE		
0011	124320907		CLOSING CLAMP COMPENS./ SAFETYVALVE		
0012	142905300		VALVE COMPENSATIO.AND SAFETY CASING		
0013	140321961		O-RING 2031 NFDA NBR 70 FDA		
0014	146600562		MEMBRANE FOR COMPENSAT/ SAFETYVALVE		
0015	142854300		VALVE COMPENSATION AND SAFETYCOVER		
0016	11000923		SAFETY VALVE 14BAR ASSY.	LB	
0017	11034415		6P.CONN.ELECTROV.AREA UL ASSY.		
0018	11034416		4P.CONN.ELECTROV.AREA UL ASSY.		
0019	17004024		STEAM SHUTTER HOUSING NOCS		
0020	17004007		MECH.CHECK-VALVE SPRING NOCS		
0021	11008105		FLOW SELECTOR VALVE SUPPORT P0057		
0022	11008104		MUSHROOM VALVE FOR FLOW SELECTOR P0057		
0023	11005096		SS FORK SPRING FOR BLOWDOWN VALVE P0049		
0024	NM01.058		OR 2031 SILICONE		
0025	17004023		STEAM VALVE BODY NOCS		
0026	11035134		NOCS BODY STEAM VALVE ASSY		
0027	9011.144		SS FORK FOR TUBE D= 4		
0028	421944055041		REDUC.EV SUPPORT NOCS		
0029	17004006		steam valve assy		
0030	229452300		COMPENSATION AND SAFETY VALVE20BAR ASSY	NE	



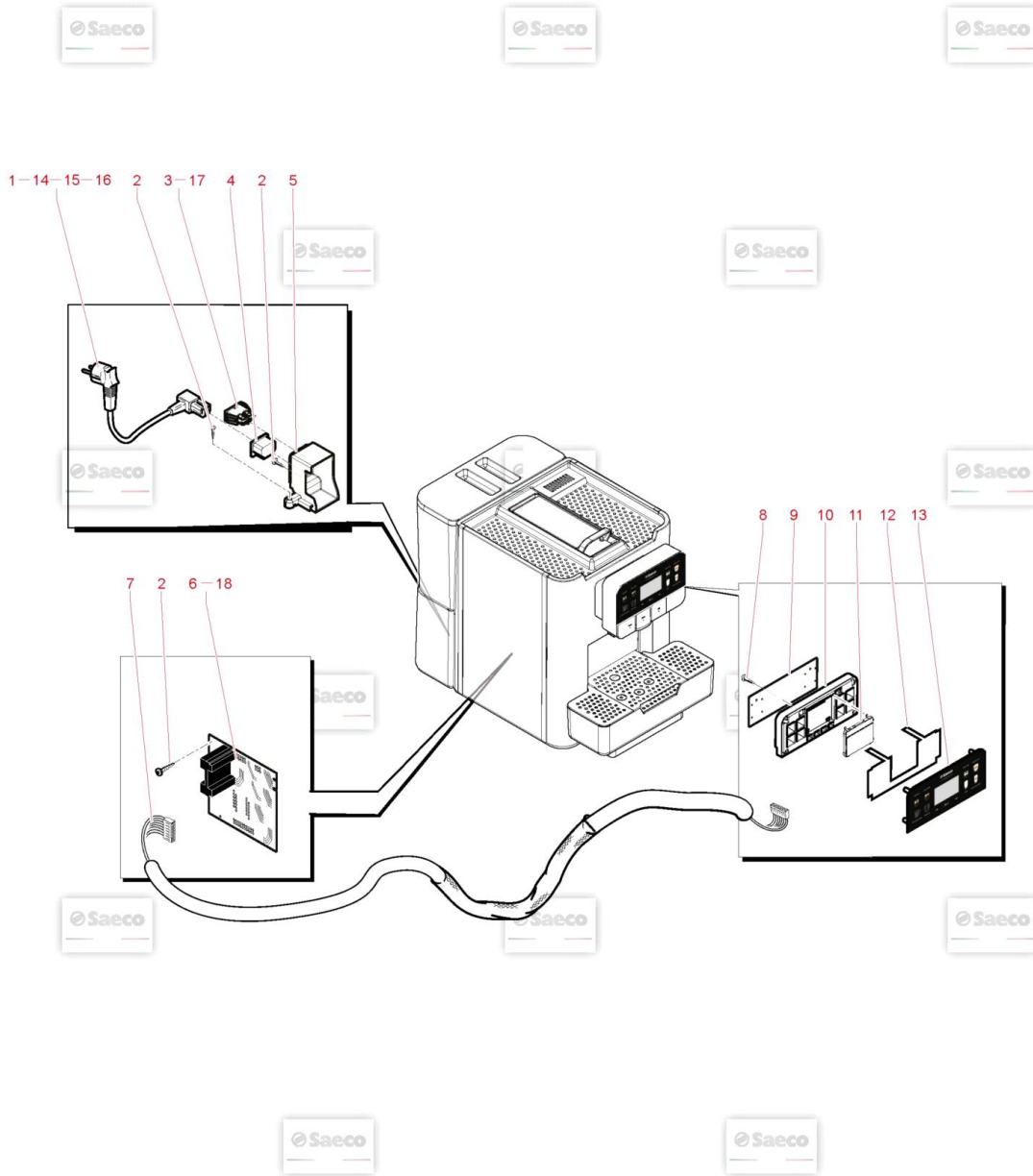
Pos.	Item	Repl. by	Description	Notes	Price (USD)
0001	17800614		BLACK CABLE 1WIRE SILIC.130 MM	230V	
0002	421944049001		TUB. BOILER ASSY NOCS 1300W 230V	230V	
0003	421944000271		BLK VALVE/BOILER WATER TUBE SEAL V2 CST		
0004	11034452		CONNECTOR STEAM BOILER AREA		
0005	421944000261		SS FORK FOR TUBE D= 6,25		
0006	11028173		BLK 2X4 TEFLON TUBE 90° CONNECTOR TRX4		
0007	129573202		SCREW TCB TORX 20 M4X8 AUTOFORMING ZN-B		
0008	421944012251		STEEL BOILER THERMOS. FIXING SPRING TRX1		
0009	190800100		TEMPERATURE SENSOR NTC UL L= 280MM		
0010	262279998757		THERMOSTAT OPEN/CLOSE 190/-35DEGC B		
0011	17004123		steam slim tub.boil.assy Nocs1300W 230V		
0012	12001280		SCREW TSP TORX 10 5X20 PLAST.ZN-B		
0013	421944008731		BLK UPPER BOILER INSULATING COVER TRX3		
0014	9011.144		SS FORK FOR TUBE D= 4		
0015	140328059		OR 2015 SILICONE PTFE/FDA		
0016	11000750		TEA/BRASS CONNECTOR FOR SILICONE TUBE		
0017	11034406		CONNECTOR COFFEE BOILER AREA		
0018	17800628		TEMPERATURE SENSOR NTC UL L= 550MM		
0019	17004010		coffee slim tub.boil.assy Nocs1300W 230	230V	
0020	12000450		SCREW TCB TORX 10 3,5X12 PLAST.ZN-N		
0021	421944008743		BLK LOWER BOILER INSULATING COVER TRX3		
0022	11036026		CONNECTOR STEAM BOILER AREA UL	120V-NA	
0023	11022471		BLACK CABLE 1WIRE SILIC.AWG16130 MM	120V-NA	
0024	17004161		TUB. BOILER ASSY NOCS 1300W 120V	120V-NA	
0025	11036025		STEAM SLIM TUB. BOIL. ASSY NOCS1300W 120V	120V-NA	
0026	11036020		COFFEE SLIM TUB. BOIL ASSY NOCS1300W 120	120V-NA	
0027	11036022		UL CONNECTOR COFFEE BOILER AREA	120V-NA	



Pos.	Item	Repl. by	Description	Notes	Price (USD)
0001	17004239		WATER PROTECTION		
0002	11035656		MICRO BREWING UNIT AREA UL ASSY		
0003	11035657		4 POLES CONN. BREWING UNIT AREA UL		
0004	12001050		MICROSWITCH DEFONT CME-1205-C-DAS31-01R		
0005	11035665		NEU MECHANISM V2 TRCLB ASSY		
0006	U701.007		SNAP RING 6 UNI 7434		
0007	421944033771		SS CHAMBER + MECH.SUPPORT PLATE V2 TRX3		
0008	129912521		SCREW TCBR TORX 10 3,5X14 PLAST.SS		
0009	11027932		BLACK LEFT SUPPORT MECH.TRX4		
0010	11028524		SS MECH.CAPSULE SUPPORT SPRINGTRX4		
0011	11027949		STEEL MECH.RIGHT+ LEFT SUPPORTPIN TRX4		
0012	11027938		SS MECH.OPENING LEVER SPRING TRX4		
0013	11028520		BLK MECH.CAPSULE SLIDE DRIVE LEVER TRX4		
0014	17004139		mech.capsule slide		
0015	U701.006		SNAP RING 3,2 UNI 7434		
0016	11027948		STEEL MECH.OPENING LEVER PIN TRX4		
0017	11027926		BLK MECH.OPENING LEVER CONNECT.ROD TRX4		
0018	11027919		BLACK MECH.MOVING CRANK TRX4		
0019	11027918		BLACK MECH.CONNECTING ROD TRX4		
0020	11027947		STEEL MECH.MOVING CRANK PIN TRX4		
0021	11027931		BLACK RIGHT SUPPORT MECH.TRX4		
0022	11027927		STEEL MECH.MOVE CHAMBER PIN TRX4		
0023	11028498		BLACK MECH.MOVE CHAMBER TRX4		
0024	12001780		O-RING 2-225 SILICONE		
0025	421944045471		NEU.MECH.MOV.CHA.RING TRLB		
0026	421944018451		BLK LIP SEAL TRX		
0027	17004061		LOWER PERFORATOR SUPPORT NOCS		
0028	U110.010	129511903	SCREW AUT.TCB 2,9X6,5 DIN 7981F		
0029	11028603		SS MECH.OPENING SPRING TRX1		
0030	421944045461		mec.mov.cha.dril.prot. Trlb		
0031	11035129		NOCS CILINDER ASSY		
0032	11035894		NEU.MECH.FIX.CHAMBER ASSY.TRLBMAN		
0033	11028523		BLACK MECH.LOWER CAPSULE SUPPORT TRX4		
0034	12000895		SCREW TSP TORX 10 3X10 PLAST.SS		
0035	126773518		SS SPRING FOR COFFEE CAPSULE LAV.		
0036	11031226		PIERCER GROUP CAPS		
0037	421944045431		NEU.MECH.FIX CHAMBER TRLB		



Pos.	Item	Repl. by	Description	Notes	Price (USD)
0001	17004239		WATER PROTECTION		
0002	11035656		MICRO BREWING UNIT AREA UL ASSY		
0003	11035657		4 POLES CONN. BREWING UNIT AREA UL		
0004	12001050		MICROSWITCH DEFONT CME-1205-C-DAS31-01R		
0005	11035418		NEU MECHANISM V2 TRCLN ASSY		
0006	U701.007		SNAP RING 6 UNI 7434		
0007	421944033771		SS CHAMBER + MECH.SUPPORT PLATE V2 TRX3		
0008	129912521		SCREW TCBR TORX 10 3,5X14 PLAST.SS		
0009	11027949		STEEL MECH.RIGHT+ LEFT SUPPORTPIN TRX4		
0010	11027932		BLACK LEFT SUPPORT MECH.TRX4		
0011	11027938		SS MECH.OPENING LEVER SPRING TRX4		
0012	11028520		BLK MECH.CAPSULE SLIDE DRIVE LEVER TRX4		
0013	11035447		BLK CAPSLUE GUIDE CLN		
0014	U701.006		SNAP RING 3,2 UNI 7434		
0015	11027926		BLK MECH.OPENING LEVER CONNECT.ROD TRX4		
0016	11027948		STEEL MECH.OPENING LEVER PIN TRX4		
0017	11027919		BLACK MECH.MOVING CRANK TRX4		
0018	11027918		BLACK MECH.CONNECTING ROD TRX4		
0019	11027947		STEEL MECH.MOVING CRANK PIN TRX4		
0020	11027931		BLACK RIGHT SUPPORT MECH.TRX4		
0021	11027927		STEEL MECH.MOVE CHAMBER PIN TRX4		
0022	11035443		NEU. MECH.MOVE CHAMBER TRCLN		
0023	12002340		OR 4125 IN SILICONE 70SH FDA		
0024	11035446		NEU.MECH.MOV.CHA.RING TRCLN		
0025	11035444		MOB. CHAMBER DRILLING CLN	NE ONLY	
0026	DI7981P2.9X6.5I		STAIN STEEL 2,9X6,5THREAD SCRE		
0027	11035445		EXP.RING SPRING MECH. TRCLN INOX		
0028	11035918		MECH.MOVE CHAMBER ASSY		
0029	11035917		NEU.MECH.FIX.CHAMBER ASSY.		
0030	11035448		BLK FIX CAPSULE GUIDE CLN		
0031	11035442		NEU.COFFEE OUT. DRILLING BODYTRCLN		
0032	140324559		OR 2106 SILICONE PTFE/FDA		
0033	11035441		NEU.MECH.FIX CHAMBER V2 TRCLN		
0034	263912			NE BOR	



Pos.	Item	Repl. by	Description	Notes	Price (USD)
0001	183911050		BLACK POWER CABLE SCHUKO L= 1200		
0002	12000450		SCREW TCBR TORX 10 3,5X12 PLAST.ZN-N		
0003	NE03.038		BIPOLAR SWITCH FUSIT C1250AR		
0004	12001883		CUP SOCKET V3 EN 60320 C 13		
0005	17000162		BLACK SOCKET-SWITCH SUPPORT RYL		
0006	11035910		ASS. CPR+ FW NOCS MAN CLB OTC	LB	
0007	11034447		16Poles CPU-User Interface Flat Cable		
0008	129913202		SCREW TCB TORX 10 3X8 PLAST.ZN-B		
0009	11035912		AS. KBD_AREA+ FW MAN OTC		
0010	421944061091		light guide Nocs		
0011	421941307111		DISPLAY LCD 128X64 SMRG		
0012	421944061141		SELF -ADH.FLEXIBLE KYB NOCS		
0013	17004090		SAECO OTC TOUCH PANEL NOCS		
0014	183921950		POWER CABLE SJT3 USA BLACK ULL= 1200	120V-NA	
0015	11001985		BLACK POWER CABLE KOREA L= 1200	KOR	
0016	NE01.093		CABLE ARGENTINA + PLUG EN60320C13	ARG	
0017	242212625107		SWI POW 2P 16A 250V FASTON IEC1552 B	120V-NA	
0018	11035924		ASS. CPR+ FW NOCS MAN CLN OTC	NE	