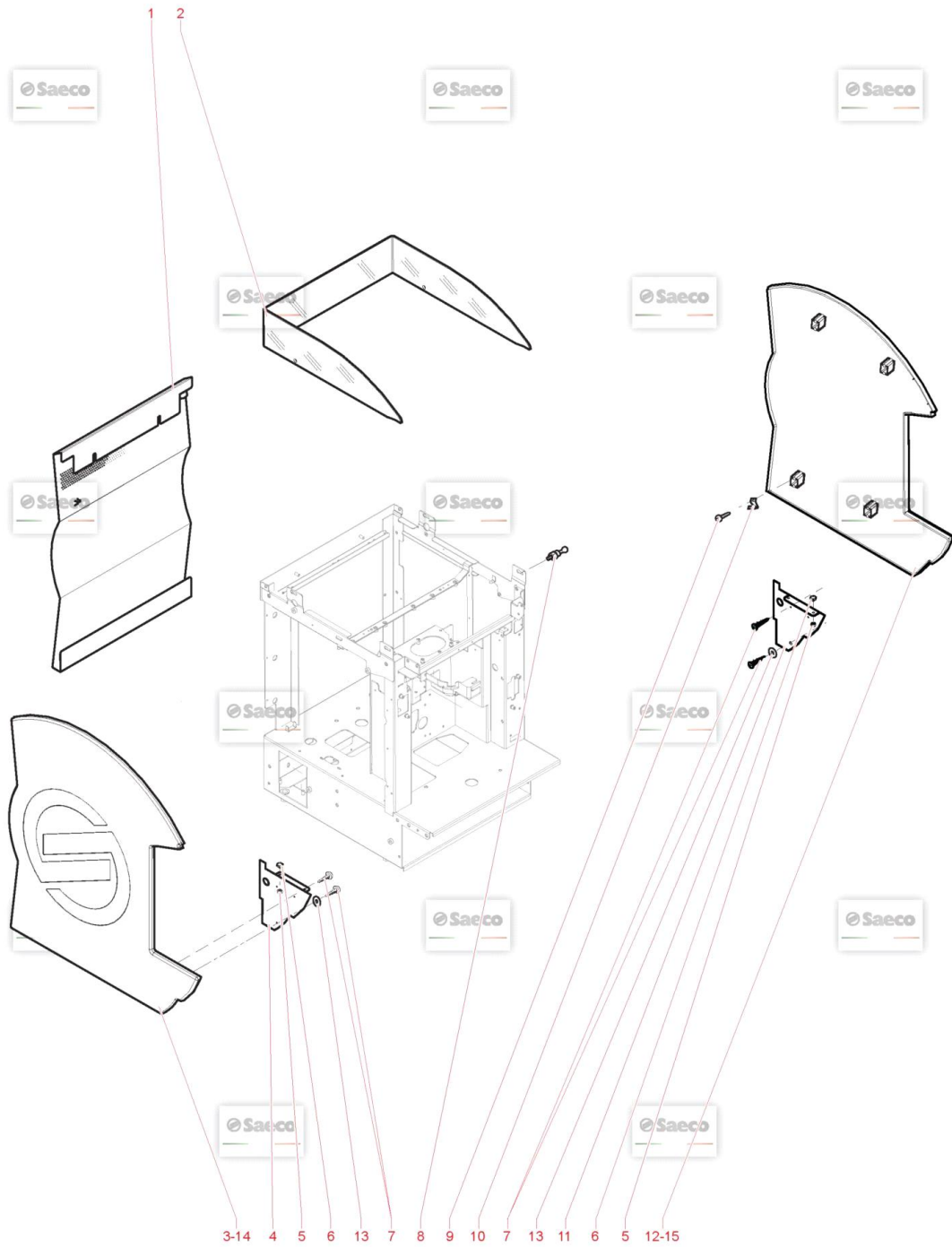


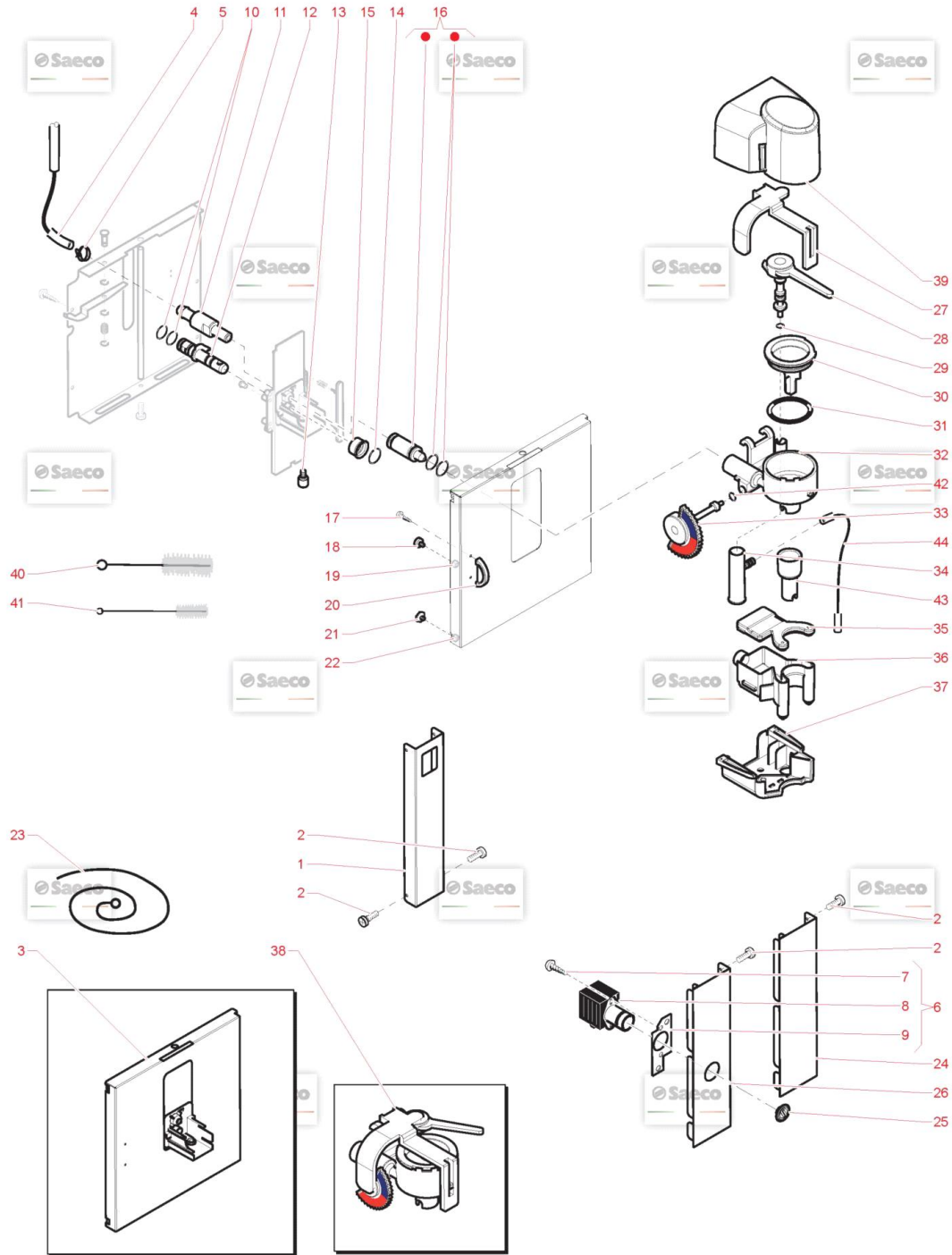
Pos.	Item	Repl. by	Description	Notes	Price (USD)
0001	DM1210		PIPE-1500 M.M.		
0002	NV99.079		PIPE WRENCH BAIL D= 23-35/9		
0003	11009259		SENSOR DUMP BOX L.540		
0004	129511903		SCREW TCB 2,9X6,4 DIN 7981 BZNICK		
0005	1034.146		DUMP BOX REED PLATE SUPPORT		
0006	11035079		REED DRAWER COFFEE GROUNDS ASS.		
0007	1037.012		SAECO Trademark - Length 150		
0008	11034697		PANTHER REAR PANEL ASS.	TO S/N 9021IRXXXXXXXXX	
0009	11036099		CSA LEFT SIDE INSIDE	CSA TO S/N 9021IRXXXXXXXXX	
0009	11036357		LEFT SIDE INSIDE PANTERA	TO S/N 9021IRXXXXXXXXX	
0010	11036093		CSA PLATE SIZE	CSA TO S/N 9021IRXXXXXXXXX	
0011	11036922		BLK SAECO LOGO AND SIDE LEFT	BLACK TO S/N 9021IRXXXXXXXXX	
0011	11036923		BLUE SAECO LOGO AND SIDE LEFT	BLUE TO S/N 9021IRXXXXXXXXX	
0011	11036924		WALNUT SAECO LOGO AND SIDE LEFT	WALNUT TO S/N 9021IRXXXXXXXXX	
0011	11036925		RED SAECO LOGO AND SIDE LEFT	RED TO S/N 9021IRXXXXXXXXX	
0011	11036926		WHITE SAECO LOGO AND SIDE LEFT	WHITE TO S/N 9021IRXXXXXXXXX	
0012	11035062		IDEA RST CUP WARMING TRY GRATE		
0013	11035070		IDEA RST GLASS GREY	TO S/N 9021IRXXXXXXXXX	
0014	129824002		TCB SCREW M4X10 UNI 7687 ZNP		
0015	11034699		FAN SUNON KDE1206PHV3 CABLE L.730		
0016	U109.021		screw AUT.TCB 3,5X22 DIN 7981C		
0017	11035004		BLK SUPPORT FILTER CARD		
0017	11035416		BLK DUO SUPPORT FILTER CARD	DUO	
0018	WGAUN5931-4X12I		SCREWS M 4X12 ST.STEEL UNI5931	TO S/N 9021IRXXXXXXXXX	
0019	11009258		REED SENSOR 2 POLE MOLEX L.840		
0020	129823802		TCB SCREW M4X8 UNI 7687 ZNP		
0021	11007871		BASE CLOSING DOUBLE CONTAINERBLACK		
0022	11009796		COFFEEGRINDER CASING GUARD BLACK RIGHT		
0023	11007868		LOWER PROTECTION BOILER COFFEEBLACK		
0024	U110.003		screw AUT.TCB 3,5X9,5 DIN 7981F		
0025	12000672		FOOT		
0026	1034.093		FIXING CLOSING BASE		
0027	1034.060		ASS.FIXING MAGNET		
0028	11036322		LX SUPPORT WITH INSERT BLK	TO S/N 9021IRXXXXXXXXX	
0029	U302.003		GALV.NUT HEXAGONAL M4 UNI 5589ZN		
0030	12002034		KNOB WITH BUSH M5		

Pos.	Item	Repl. by	Description	Notes	Price (USD)
0031	129660902		PANELVIT TCB SCREW 3,5X12 D.7505 Z		
0032	U142.008		PANELVIT TSP 3,5X12 DIN 7505 AGAL	TO S/N 9021IRXXXXXXXXXX	
0033	1034.091		FIXING TUBE		
0034	1001.022.050		POWDER DOOR BLACK		
0035	1034.096.050		HOPPER COFFEE		
0036	11034733		SILICONED TOP TANK ASS.		
0037	NM02.025		OR 6162 EPDM		
0038	1034.079.00Z		CUP WARMER HEAT ELEMENT 208V	208V	
0038	11035197		RST CUP WARMER HEAT ELEMENT 230V 55W		
0039	1034.100		SEAL FOR HEAT ELEMENT		
0040	U208.002		TOOTHED WASHER 3,3X5,8 UNI 3703 G		
0041	123160302		NUT M3 HIGH UNI 5587 GALVANIZED		
0042	11034972		CUP WARMING TRAY ASS.		
0042	11036102		CUP WARMING TRAY ASS. 208V	208V	
0043	11034554		HOPPER COFFEE		
0044	263387		HOPPER+ PLATE ASS.		
0045	11008121		COFFEEGRINDER PROTECTION LEFT		
0046	11008123		UNLOADING COLLECTOR 2 GRIND COFFEE		
0047	11007877		ASS.HOPPER DOUBLE CONTAINER		
0048	U044.013		screw TSPC M4,0X12 UNI 7688 GALV.		
0049	11002574		MAGNET D.13x4 DUMP BOX		
0050	123453102		GALV.SELF LOCK NUT HIGH M4 DIN982		
0051	11034698		T632 PANTHER DUMP BOX		
0052	11035077		GREY PANTHER DRAWER COFFEE GROUNDS ASS.		
0053	11007875		GRILL DOUBLE CONTAINER	DUO	
0054	11007879		TRAY ASS. UPPER DOUBLE CONTAINER BLACK	DUO	
0055	11036098		CSA RIGHT SIDE INSIDE	CSA TO S/N 9021IRXXXXXXXXXX	
0055	11036355		RIGHT SIDE INSIDE PANTERA	TO S/N 9021IRXXXXXXXXXX	
0056	11036917		BLK SAECO LOGO AND SIDE RIGHT	BLACK TO S/N 9021IRXXXXXXXXXX	
0056	11036918		BLUE SAECO LOGO AND SIDE RIGHT	BLUE TO S/N 9021IRXXXXXXXXXX	
0056	11036919		WALNUT SAECO LOGO AND SIDE RIGHT	WALNUT TO S/N 9021IRXXXXXXXXXX	
0056	11036920		RED SAECO LOGO AND SIDE RIGHT	RED TO S/N 9021IRXXXXXXXXXX	
0056	11036921		WHITE SAECO LOGO AND SIDE RIGHT	WHITE TO S/N 9021IRXXXXXXXXXX	
0057	11036093		CSA PLATE SIZE	CSA TO S/N 9021IRXXXXXXXXXX	
0058	11007873		ROOF CLOSING DOUBLE CONTAINERBLACK	DUO	
0059	11034633		ROOF CLOSING BLACK		
0060	11009557		GRATE		
0061	U207.002		PLAIN WASHER 4,3X9 UNI 6592 GAL		
0062	11011554		RIGHT SIDE IDEA SLIM		

Pos.	Item	Repl. by	Description	Notes	Price (USD)
0063	NF14.004		OTECO PLATE NPL 0113 FORM A		
0064	1034.054	1037.A01	TANK WATER		
0065	11011553	11011555	LEFT SIDE IDEA SLIM		
0066	11011555		TANK WATER ASSY. IDEA SLIM		
0067	U109.002		NIK.SCREW TCB 3,5X25 DIN 7981C		
0068	1034.127.150		REED SUPPORT GREY		
0069	1037.058.050		WATER DRIP TRAY BLACK		
0070	11036216		RX SUPPORT WITH INSERT BLK	TO S/N 90211RXXXXXXXXX	
0071	U110.006		screw AUT.TCB 2,9X13 DIN 7981F		
0072	11009260		DOUBLE SENSOR COFFEE CONTAINERIDEA 2M	DUO	
0072	11034717		SENSOR COFFEE CONTAINER		
0073	1034.071		REED SPACER		
0074	11036306		CLOSURE SHEET CSA BLK	208V	



Pos.	Item	Repl. by	Description	Notes	Price (USD)
0001	264242		PANTHERA REAR PANEL ASSEMBLY	FROM S/N 9021IVXX001001	
0002	264243		CUP WARMER CASE	FROM S/N 9021IVXX001001	
0003	264237		SAECO LEFT SIDE + LOGO	FROM S/N 9021IVXX001001	
0004	264236		LEFT TANK SUPPORT	FROM S/N 9021IVXX001001	
0005	U302.003		GALV.NUT HEXAGONAL M4 UNI 5589ZN		
0006	1034.060		ASS.FIXING MAGNET		
0007	129670202		TCB PANELVIT SCREW 3,5X16 TESTA D= 8 ZNP	FROM S/N 9021IVXX001001	
0008	NF11.099		M5 OTECO R684 MALE THREADED PIVOT	FROM S/N 9021IVXX001001	
0009	U117.003		screw AUT.PT TCB 2.5X10 WN 1442	FROM S/N 9021IVXX001001	
0010	NF11.098		OTECO RECEPTACLE C4413	FROM S/N 9021IVXX001001	
0011	264238		RIGHT TANK SUPPORT	FROM S/N 9021IVXX001001	
0012	264239		RIGHT SAECO SIDE + LOGO	FROM S/N 9021IVXX001001	
0013	U201.005		PLAIN WASHER 4,3X12 DIN 7349 GAL	FROM S/N 9021IVXX001001	
0014	264454		SIDE + LOGO SX SAECO BICOLOUR.BLK/PANTER	FROM S/N 9021IVXX001001	
0015	264453		SIDE + LOGO DX SAECO BICOLOR.BLK/PANTER	FROM S/N 9021IVXX001001	

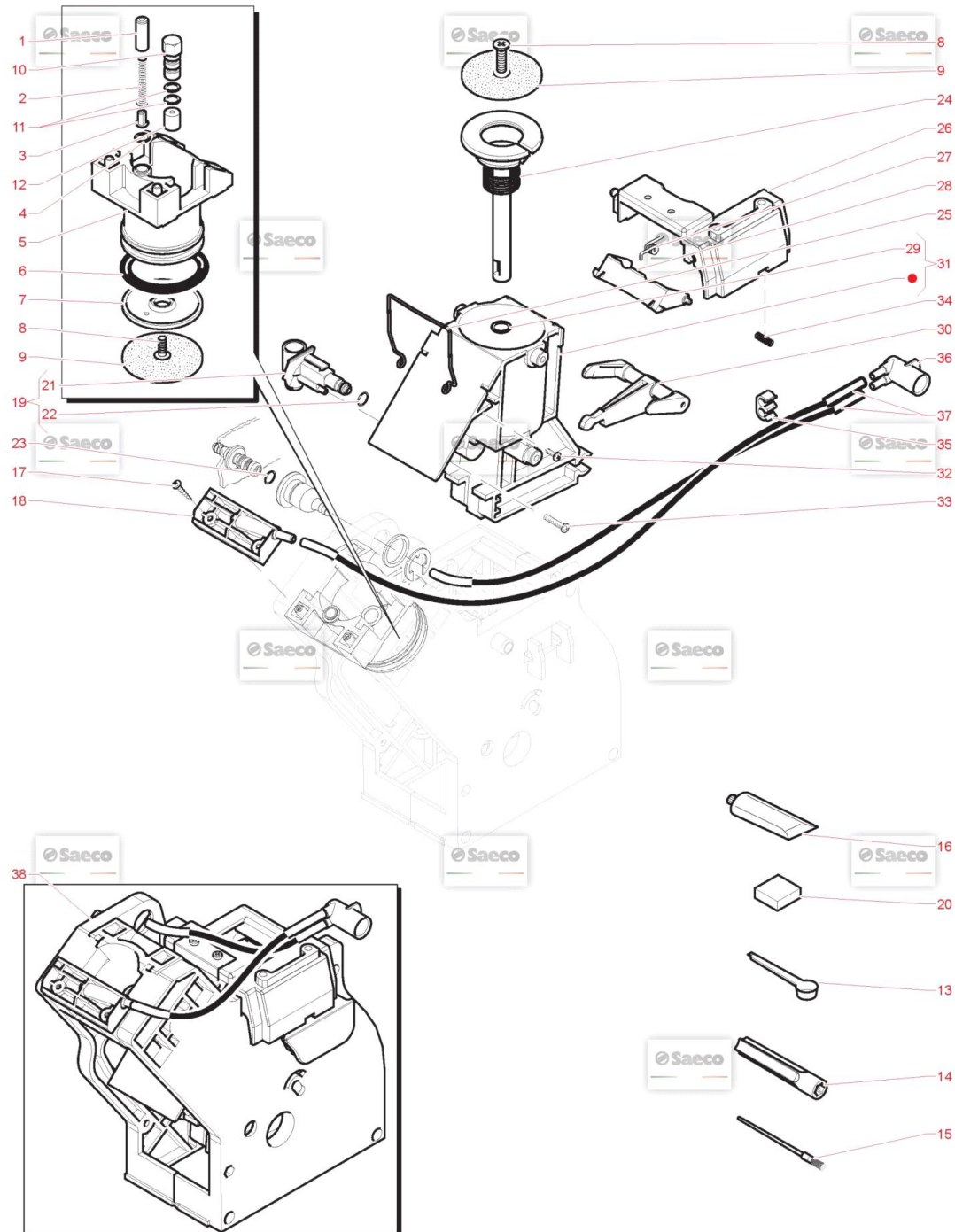


Pos.	Item	Repl. by	Description	Notes	Price (USD)
0001	1034.011		LEFT FRONT PANEL		
0002	U110.004		screw AUT.TCB 3,5X6,5 DIN 7981F		
0003	1037.A07		CAPPUCCINO MAKER HATCH	CAPPUCCINO / DUO	
0003	1038.A02		LUXE FRONTAL DOOR ASSEMBLY	LUXE / COFFEE	
0004	9972.189	9972.246	SILICONE TUBE 5X10 L.345MM		
0005	NV99.087		BAND D= 11/11,6	CAPPUCCINO	
0006	11035034		CLAMP SOLENOID ASS.	CAPPUCCINO / DUO	
0007	129824002		TCB SCREW M4X10 UNI 7687 ZNP	CAPPUCCINO / DUO	
0008	11029223		SOLENOID VALVE PINCHCOCK-TUBE	CAPPUCCINO / DUO	
0009	1022.007		SOLENOID VALVE PLATE	CAPPUCCINO / DUO	
0010	12000393		OR ORM 0073-24 SILICONE FDA		
0011	1037.085		CONN.ADAPTER	CAPPUCCINO	
0012	1037.084.050		COFFEE PIPE		
0013	1037.054		LOWER FIXING PIN		
0014	NM02.013		OR ORM 0080-15 TERMOIL		
0015	1037.053		SEAL PIN COFFEE		
0016	1037.082.050		TUBE ASS.	CAPPUCCINO / DUO	
0017	129511903		SCREW TCB 2,9X6,4 DIN 7981 BZNICK		
0018	9991.206		MAGNET D.13 H.4,5 M5 MALE		
0019	U302.003		GALV.NUT HEXAGONAL M4 UNI 5589ZN		
0020	1034.016		KNOB DOOR		
0021	1034.060		ASS.FIXING MAGNET		
0022	123160502		GALVANIZED NUT M5 HIGH UNI 5587-68		
0023	1022.018		SCRAPER ASS.FOR CAPPUCCINAT. TUBE	CAPPUCCINO	
0024	1035.002		RIGHT FRONT PANEL	LUXE / COFFEE	
0025	11007860		CAP	CAPPUCCINO	
0026	1037.065		RIGHT FRONT PANEL	CAPPUCCINO	
0027	1037.033.050		CLOSING CAPPUCCINATORE BLACK	CAPPUCCINO	
0028	1037.044.050		LEVER ASS.	CAPPUCCINO	
0029	NM02.035		OR ORM 0040-20 EPDM	CAPPUCCINO	
0030	1037.036.050		CAPPUCCINATORE CAP MODIF.	CAPPUCCINO	
0031	NM02.034		OR ORM 0350-20 EPDM	CAPPUCCINO	
0032	1037.034.050		BLACK CAPPUCCINATORE CASING	CAPPUCCINO	
0033	1037.057.050		TEMPERATURE ADJUSTMENT UNIT W.BLAC	CAPPUCCINO	
0034	1037.051.050		CAPPUCCINATORE CONNECTOR	CAPPUCCINO	
0035	1037.050.050		DISTRIBUTOR COVER		
0036	1037.001.050		DISPENSING CASING	9 GR	
0036	11001135		DISPENSING UNIT 6 GR.	7 GR	
0037	1037.083.050		LOWER DISPENSER COVER ASSY.		
0038	1037.035.050		BLACK CAPPUCCINATORE ASS.	CAPPUCCINO / DUO	
0039	1037.059		DISPENSER COVER	CAPPUCCINO	
0039	1038.002		DISPENSER COVER	LUXE / COFFEE	

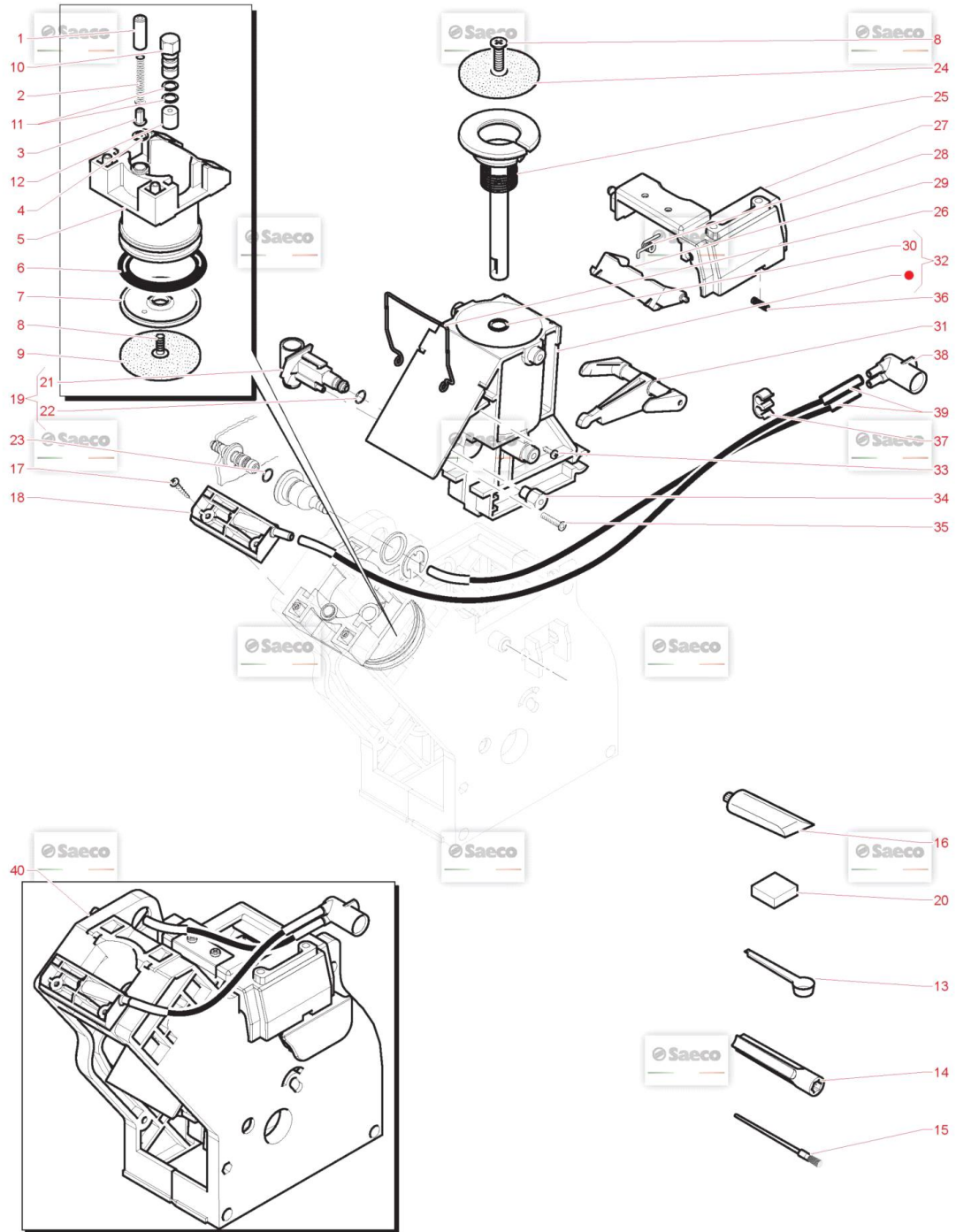
Pos.	Item	Repl. by	Description	Notes	Price (USD)
0040	12000431		BRUSH D.12	CAPPUCCINO	
0041	12000430		BRUSH D.6	CAPPUCCINO	
0042	140328059		OR 2015 SILICONE PTFE/FDA	CAPPUCCINO	
0043	1037.019.050		CAPPUCCINATORE EXTENDER	CAPPUCCINO	
0044	9972.096		SILICONE TUBE 3X5,5 L.2000 MM	CAPPUCCINO	

EVOCA
GROUP

Idea Restyle Duo



Pos.	Item	Repl. by	Description	Notes	Price (USD)
0001	11003166		SPACE 16MM UNIT VALVE 7/9GR.		
0002	9161.222		SS.CONICAL SPRING		
0003	9161.320		VALVE FOR UNIT		
0004	NM02.013		OR ORM 0080-15 TERMOIL		
0005	9161.241.150		COUNTERPISTON GREY FOR 9GR		
0006	NM01.065		OR ORM 0420-40 RED SILIC.FDA 65/70 SH		
0007	9161.247.150		GREY RING FOR PISTON 9GR		
0008	129852821		TSP SCREW M3X14 UNI 7688 SS		
0009	11009224		PERCOLATOR D.45		
0010	9161.447		PIN		
0011	NM02.006		OR R5 TERMOIL		
0012	9161.446		SPACER		
0013	146680659		GREY MEASURE WITH HOLE		
0014	1034.083.150		BUSH		
0015	127390100		BRUSH FOR CLEANING		
0016	421946017941		KLUBERLUB NH1 11-222 TUBE 5GR.		
0017	U140.017		PANELVIT TCB 3,0X20 DIN 7505 BGAL		
0018	1020.060.150		FLANGE FOR COUNTERPISTON UNIT		
0019	0301.R04.150		GREY WATER INLET SLEEVE BREW UNIT ASSY.		
0020	21002054	21002501	ACC PSA COF.OIL REMOVER 1UNITCORE+W/D		
0021	9161.064.150		GREY WATER INLET SLEEVE BREW UNIT		
0022	NM02.007		OR 2025 IN TERMOIL		
0023	NM02.010	140324761	OR ORM 0050-20 TERMOIL		
0024	9161.227.050		COMPLETE PISTON FOR UNIT BLACK		
0025	11021890		SCRAPER FOR COFFEE UNIT 9GR.		
0026	11031604		HANDGRIP		
0027	9161.231		SPRING FOR SCRAPER UNIT 9GR.		
0028	11031660		BREW UNIT PISTON SCRAPER		
0029	NM01.060		OR ORM 0120-30 SILICONE FDA		
0030	9161.234.150		GREY CONN. ROD FOR UNIT 9GR.		
0031	11009907		CONTAINER ASS.BLACK 9GR		
0032	129912521		SCREW TCB TORX 10 3,5X14 PLAST.SS		
0033	12000550		SCREW TCB TORX 10 3X25 PLAST.SS		
0034	9161.277		SPRING FOR HANDGRIP UNIT 9GR		
0035	12001616		LOCK TUBE FASTPOINT (4703AA01)		
0036	1037.043.050		CONNECTOR COFFEE BLACK		
0037	11025879	11032468	BLACK SILICONE TUBE 3,5X6 L= 290 MM		
0038	11010042		BREW UNIT 9/15G PROFESSIONAL		

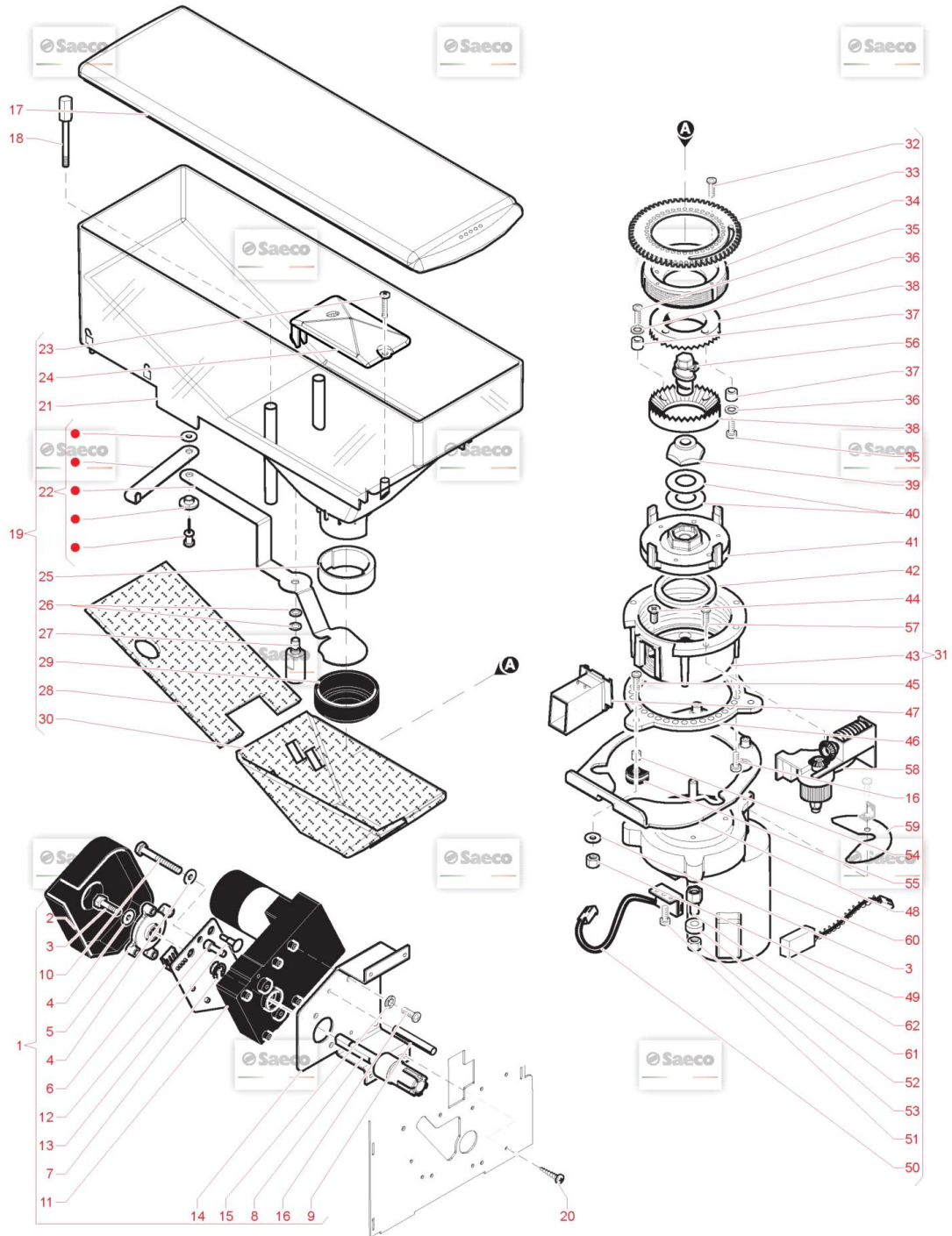


Pos.	Item	Repl. by	Description	Notes	Price (USD)
0001	11003166		SPACE 16MM UNIT VALVE 7/9GR.		
0002	9161.222		SS.CONICAL SPRING		
0003	9161.320		VALVE FOR UNIT		
0004	NM02.013		OR ORM 0080-15 TERMOIL		
0005	11000743		COUNTERPISTON GREY 7 GR		
0006	140322061		O-RING 4112 EPDM		
0007	9161.247.150		GREY RING FOR PISTON 9GR		
0008	129852821		TSP SCREW M3X14 UNI 7688 SS		
0009	324000100		SS PERCOLATOR D= 34 SCREW FOR UNIT		
0010	9161.447		PIN		
0011	NM02.006		OR R5 TERMOIL		
0012	11003164		SPACER 7MM PIN SHOWER 7GR.		
0013	146680659		GREY MEASURE WITH HOLE		
0014	1034.083.150		BUSH		
0015	127390100		BRUSH FOR CLEANING		
0016	421946017941		KLUBERLUB NH1 11-222 TUBE 5GR.		
0017	U140.017		PANELVIT TCB 3,0X20 DIN 7505 BGAL		
0018	1020.060.150		FLANGE FOR COUNTERPISTON UNIT		
0019	0301.R04.150		GREY WATER INLET SLEEVE BREW UNIT ASSY.		
0020	21002054	21002501	ACC PSA COF.OIL REMOVER 1UNITCORE+W/D		
0021	9161.064.150		GREY WATER INLET SLEEVE BREW UNIT		
0022	NM02.007		OR 2025 IN TERMOIL		
0023	NM02.010	140324761	OR ORM 0050-20 TERMOIL		
0024	324000200		SS PERCOLATOR D= 34 FOR UNIT		
0025	11000740		COMPLETE PISTON FOR UNIT BLACK7 GR.		
0026	11003213		SCRAPER FOR UNIT WITH SPACER		
0027	11031604		HANDGRIP		
0028	9161.231		SPRING FOR SCRAPER UNIT 9GR.		
0029	11004729	11031660	SCRAPER GREY FOR 9GR. UNIT MODIFIED		
0030	12001146	NM01.060	OR ORM 0115-30 VITON GREEN 70/75 SHORE		
0031	9161.234.150		GREY CONN. ROD FOR UNIT 9GR.		
0032	11009908		CONTAINER ASS.BLACK 7GR		
0033	129912521		SCREW TCB TORX 10 3,5X14 PLAST.SS		
0034	12001375		1/4 MALE CAP HEXAGONAL (261ZBR31920)		
0035	12000550		SCREW TCB TORX 10 3X25 PLAST.SS		
0036	9161.277		SPRING FOR HANDGRIP UNIT 9GR		
0037	12001616		LOCK TUBE FASTPOINT (4703AA01)		
0038	1037.043.050		CONNECTOR COFFEE BLACK		
0039	11025879	11032468	BLACK SILICONE TUBE 3,5X6 L= 290 MM		

Pos.	Item	Repl. by	Description	Notes	Price (USD)
0040	11010043		BREW UNIT 7G PROFESSIONAL		

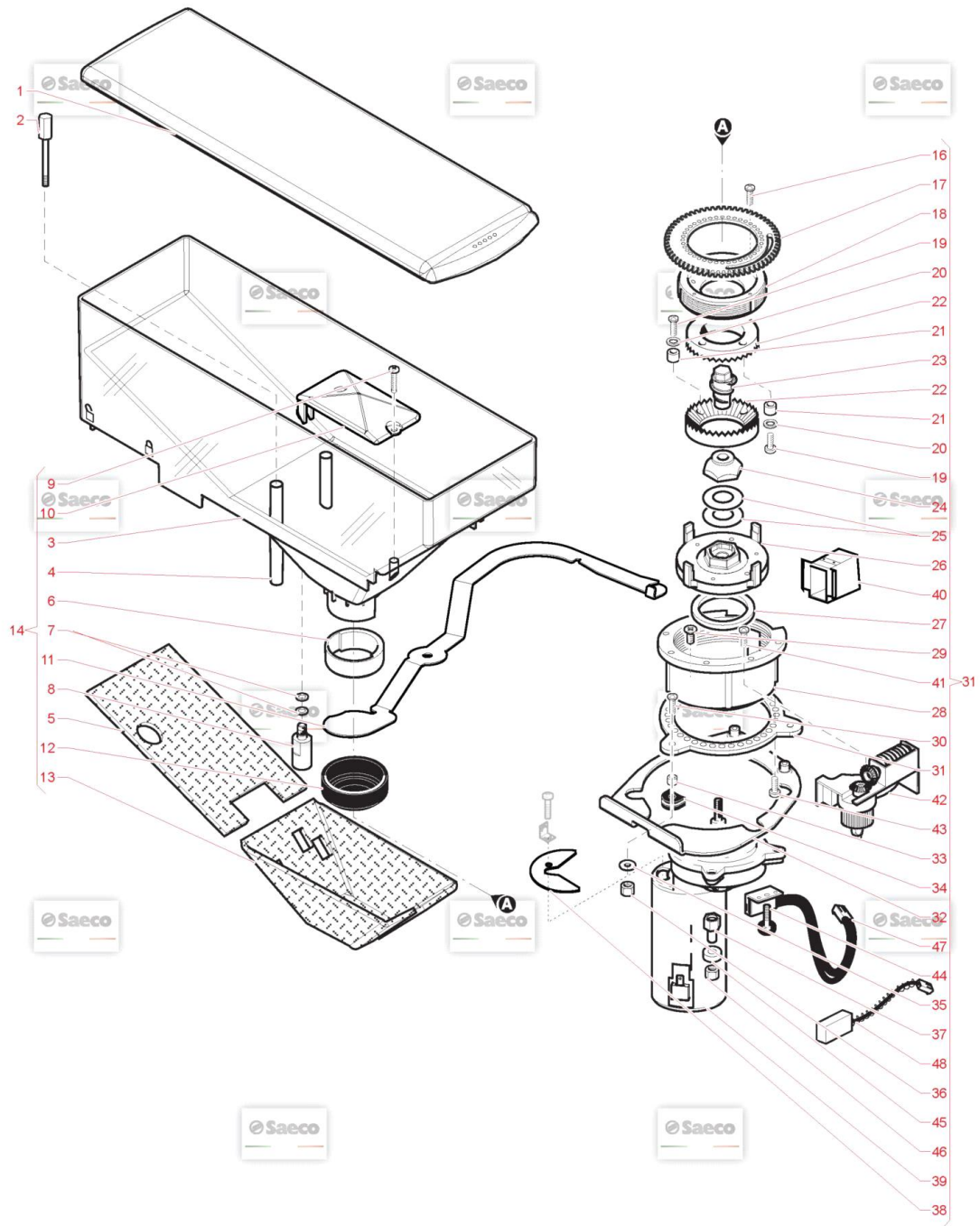


Idea Restyle Duo



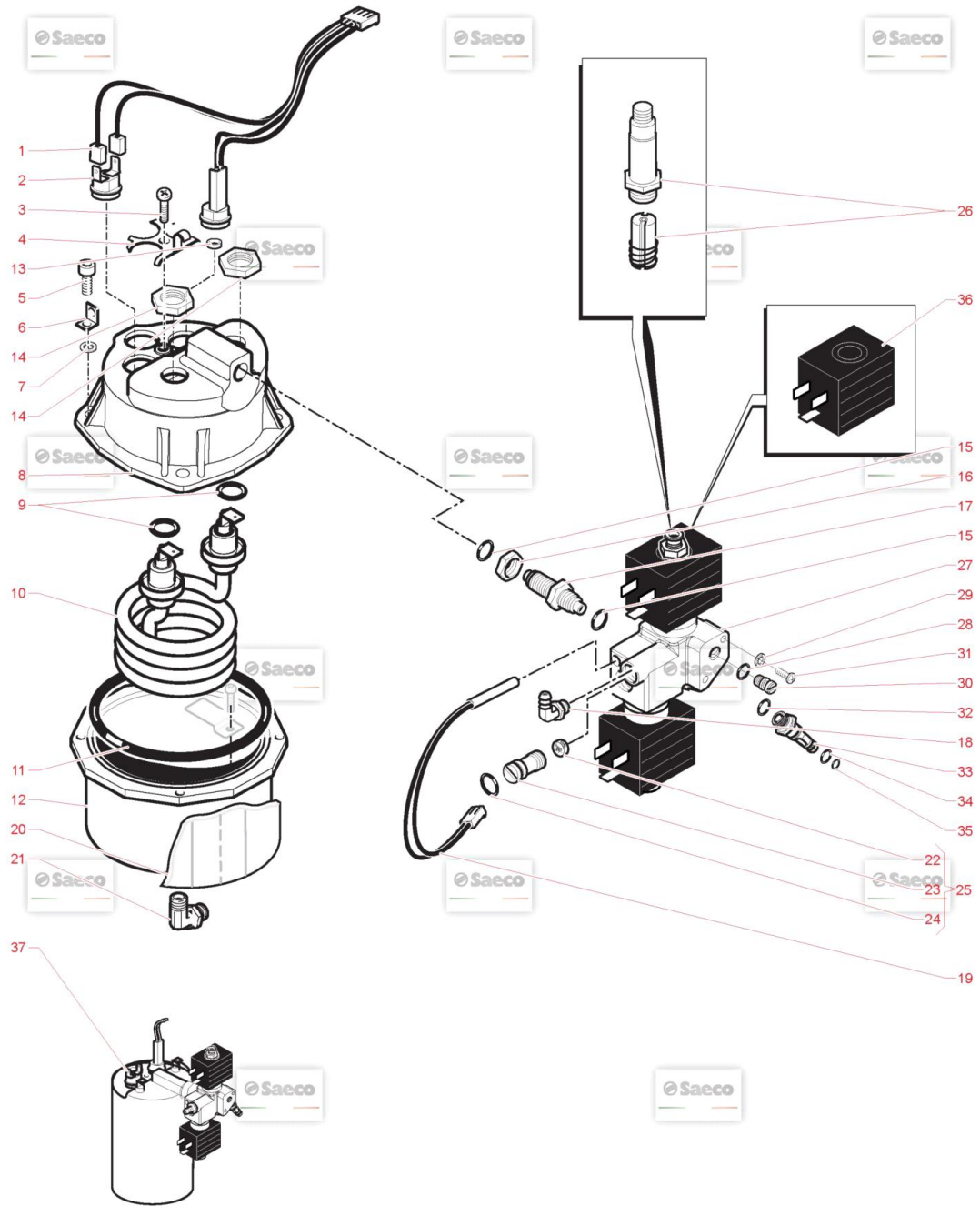
Pos.	Item	Repl. by	Description	Notes	Price (USD)
0001	11002139		RATIOMOTOR ASSEMBLY 24VDC		
0002	11002211		CARD PROTECTION RATIOMOTOR		
0003	U005.010		screw TE M4,0X14 UNI 5739 GALV.		
0004	U207.002		PLAIN WASHER 4,3X9 UNI 6592 GAL		
0005	11013782		RATIOMOTOR CAMS ASSEMBLY		
0006	11002134		CARD 2 SENSOR RATIOMOTOR		
0007	120340804		EL. SHAFT RETAIN.RING D= 8 UNI 7435		
0008	11002133		JOINT WITH SHAFT FOR RATIOMOTOR		
0009	U407.001		ELASTIC PIN 3,0X20 UNI 6874		
0010	U005.012		screw TE M4,0X30 UNI 5739 GALV.		
0011	12000232		LIP RATIOMOTOR ST.112B 24VDC 11RPM		
0012	11002964		SPACE FOR CENTRAL CARD 2 SENSORY		
0013	NL04.014		SPACER CARD H= 9,5		
0014	1020.023		RATIOMOTOR BRACKET		
0015	128310404		WASHER UNI 8842 A4 BURNISHED		
0016	129824002		TCB SCREW M4X10 UNI 7687 ZNP		
0017	11034722		PANTHER COVER COFFEE		
0018	1034.059		FIXING PIN COFFEE CONT.		
0019	263396		RH COFFEE CONT.ASS. NSF		
0020	U110.003		screw AUT.TCB 3,5X9,5 DIN 7981F		
0021	1034.150.230		COFFEE CONT.		
0022	1034.A21		WHOLE GUILLOTINE		
0023	U043.025		screw TCBC M5,0X10 UNI 7687 SS		
0024	11030159		PROTECTION COFFEE		
0025	1034.069.150		BUSH GUILLOTINE		
0026	NV99.097		SHIMMING WASHER 6X12X0,5		
0027	1034.053		ASS.SCREW FIXING GUILLOTINE		
0028	1047.003		PANEL		
0029	263375		COFFEE CONT. SEAL NSF51- FDA		
0030	1047.004		PANEL		
0031	11026307		COFFEE GRIND BRONZE RIGHT 230V	DUO	
0031	11034973		COFF.GRINDER WITH REGOL. 230VDC		
0031	263392		LH GRINDER ASS. 208V CSA/ NSF	CSA / NSF	
0032	U043.007		screw TCBC M3,0X8 UNI 7687 GALV.		
0033	9141.055.050		TOOTHED WHEEL Z.62 BLACK		
0034	11037026		ADJUSTMENT RING NUT TEA		
0035	12001176		SCREW TCBC M3X10 INOX BN5952		
0036	NM03.027		OR ORM 0050-10 NBR		
0037	11005111		SPACER FOR GRIND IN CERAMIC		
0038	263369		D.64 STEEL GRINDER	CSA/NSF	
0038	9141.078		GRINDER D.64 CERAMIC		

Pos.	Item	Repl. by	Description	Notes	Price (USD)
0040	12000394		CUP SPRING 8,2x16x0,4 DIN 2093		
0041	11003839		FAN 4 SPRING CUP		
0042	NM07.001		AXIAL BEARING EKKO COMPACT		
0043	11036994		NSF GRINDER CAP	208V	
0044	U044.002		screw TSPC M4,0X10 UNI 7688 GALV.		
0045	129825002		TCB SCREW M4X20 UNI 7687 ZNP		
0046	9141.054.050		BLACK FLANGE		
0047	11036993		NSF COFFEE OUTLET CHANNEL ASS.	208V	
0048	11007823		DOUBLE COFFEE GRINDER SUPPORTBLACK		
0049	123453102		GALV.SELF LOCK NUT HIGH M4 DIN982		
0050	11024859		COFFEEGRINDER SENSOR IDEA. CSA	DUO	
0050	11034713		COFFEEGRINDER SENSOR IIDEA RST		
0051	U127.005		screw TAPT.TCB M4,0X8 DIN 7500C		
0052	9141.066		4 POLE MAGNET		
0053	12001283		NUT M5 NNE-34814-15		
0054	9141.003		SPACER FOR RUBBER		
0055	9141.005		KNOB PIN		
0056	11037027		WORM SCREW		
0057	129670202		TCB PANELVIT SCREW 3,5X16 TESTA D= 8 ZNP		
0058	9140.020		MODULAR GRINDER ADJUST.ASS.		
0059	11023724		COFFEEGRINDER DUST PROTECTION		
0060	11026235	11036739	RATIOMOTOR COFFEE GRIND 230VDC		
0060	11036740		RATIOMOTOR COFFEE GRIND 208VDC	CSA	
0061	11024370		MAGNET SUPPORT IDEA		
0062	20006810		MOTOR BRUSH AMETEK 053300025.19121.093		

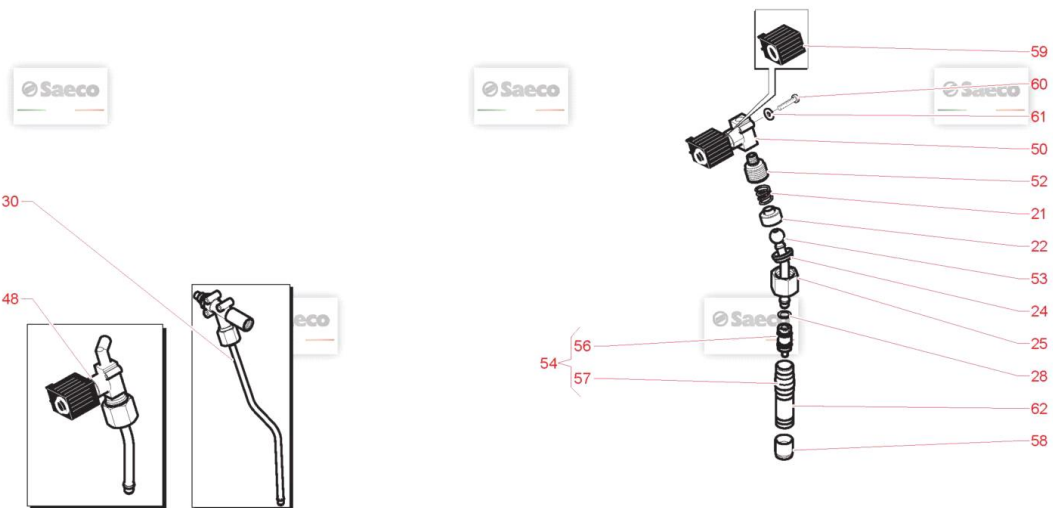
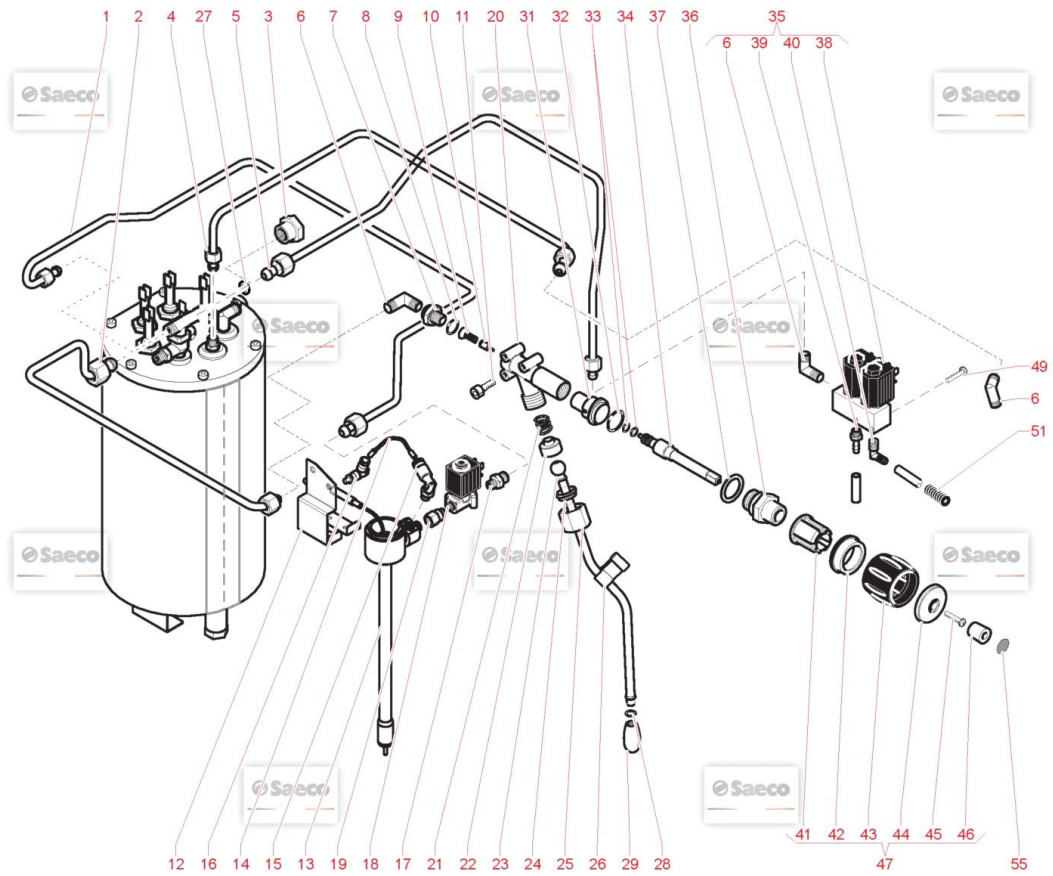


Pos.	Item	Repl. by	Description	Notes	Price (USD)
0001	11034722		PANTHER COVER COFFEE		
0002	1034.059		FIXING PIN COFFEE CONT.		
0003	15001180		LABEL 2 SOLUBLES COFFEE CONTAINER		
0004	1034.150.230		COFFEE CONT.		
0005	1047.003		PANEL		
0006	1034.069.150		BUSH GUILLOTINE		
0007	NV99.097		SHIMMING WASHER 6X12X0,5		
0008	1034.053		ASS.SCREW FIXING GUILLOTINE		
0009	U043.025		screw TCBC M5,0X10 UNI 7687 SS		
0010	11030159		PROTECTION COFFEE		
0011	11008176		GUILLOTINE LEFT 2 COFFEE GRIND		
0012	263375		COFFEE CONT. SEAL NSF51-FDA		
0013	1047.004		PANEL		
0014	263397		LH COFFEE CONT.ASS. NFS		
0015	11026305		COFFEE GRIND BRONZE LX 230V		
0015	263393		RH GRINDER ASS. 208V CSA/NSF	CSA/NSF	
0016	U043.007		screw TCBC M3,0X8 UNI 7687 GALV.		
0017	9141.055.050		TOOTHED WHEEL Z.62 BLACK		
0018	11037026		ADJUSTMENT RING NUT TEA		
0019	12001176		SCREW TCBC M3X10 INOX BN5952		
0020	NM03.027		OR ORM 0050-10 NBR		
0021	11005111		SPACER FOR GRIND IN CERAMIC		
0022	263369		D.64 STEEL GRINDER	CSA/NSF	
0022	9141.078		GRINDER D.64 CERAMIC		
0023	11037027		WORM SCREW		
0025	12000394		CUP SPRING 8,2x16x0,4 DIN 2093		
0026	11003839		FAN 4 SPRING CUP		
0027	NM07.001		AXIAL BEARING EKKO COMPACT		
0028	11036994		NSF GRINDER CAP	208V	
0029	U044.002		screw TSPC M4,0X10 UNI 7688 GALV.		
0030	129825002		TCB SCREW M4X20 UNI 7687 ZNP		
0031	9141.054.050		BLACK FLANGE		
0032	11007823		DOUBLE COFFEE GRINDER SUPPORTBLACK		
0033	9141.003		SPACER FOR RUBBER		
0034	9991.005		RUBBER FOR COFFEE GRINDER		
0035	U207.002		PLAIN WASHER 4,3X9 UNI 6592 GAL		
0036	123453102		GALV.SELF LOCK NUT HIGH M4 DIN982		
0037	11024370		MAGNET SUPPORT IDEA		
0038	11023724		COFFEEGRINDER DUST PROTECTION		
0039	11026235	11036739	RATIOMOTOR COFFEE GRIND 230VDC		
0039	11036740		RATIOMOTOR COFFEE GRIND 208VDC	CSA	

Pos.	Item	Repl. by	Description	Notes	Price (USD)
0040	11036993		NSF COFFEE OUTLET CHANNEL ASS.	208V	
0041	129670202		TCB PANELVIT SCREW 3,5X16 TESTA D= 8 ZNP		
0043	129824002		TCB SCREW M4X10 UNI 7687 ZNP		
0044	U127.005		screw TAPT.TCB M4,0X8 DIN 7500C		
0045	9141.066		4 POLE MAGNET		
0046	12001283		NUT M5 NNE-34814-15		
0047	11024859		COFFEEGRINDER SENSOR IDEA. CSA		
0048	20006810		MOTOR BRUSH AMETEK 053300025.19121.093		

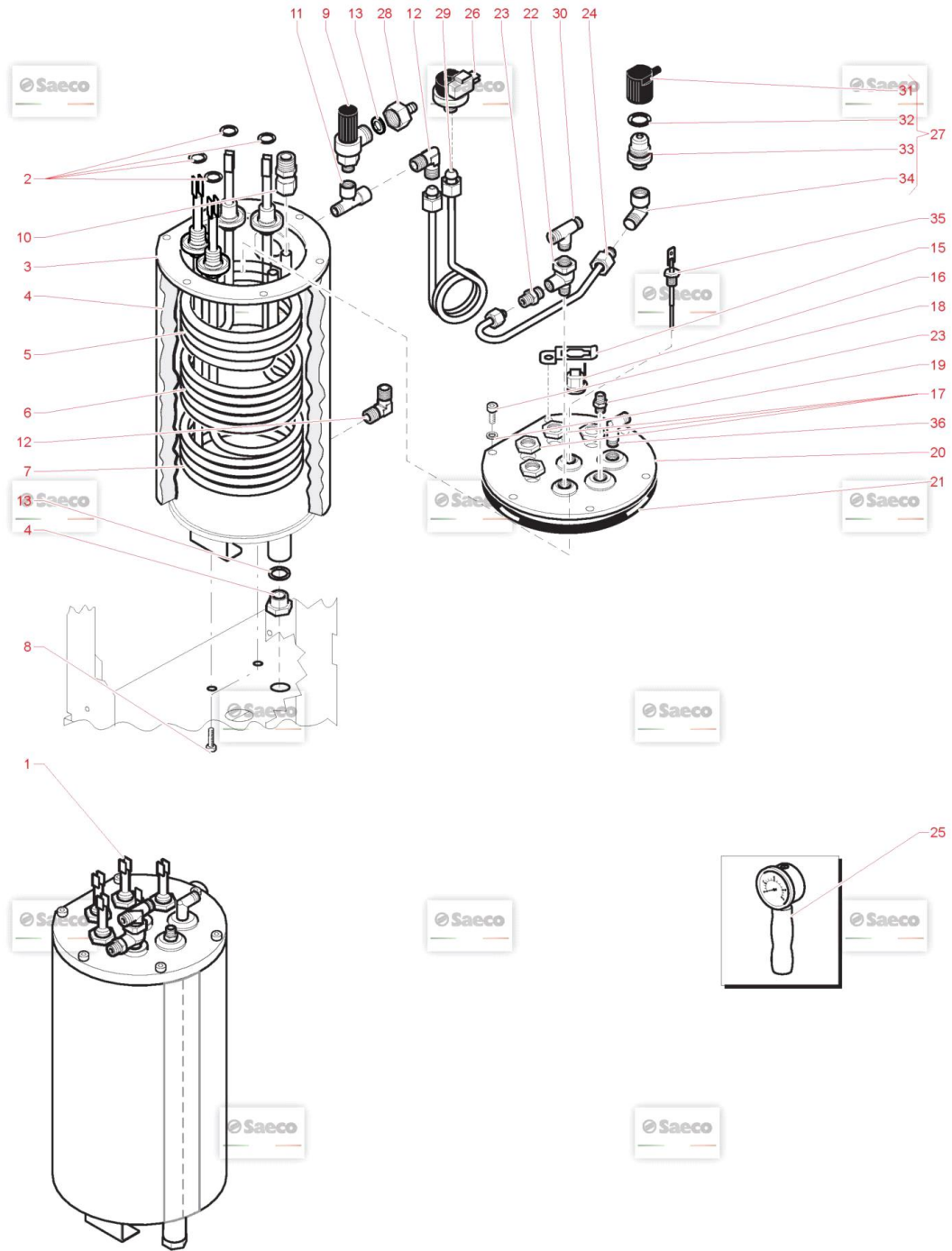


Pos.	Item	Repl. by	Description	Notes	Price (USD)
0001	11008149		ASS.PROBE+COFFEE THERMOSTAT IDEA 2M		
0002	NE09.010		THERMOSTAT 135° NC FAST. 90° + WASHER		
0003	12001052		SCREW TCEI M4,0X6 DIN 912 ZIN		
0004	226830200		RETAIN.SPRING 3 THERM. + THERMAL FUSE		
0005	U023.020		SCREW TCEI M6X20 UNI 5931 ZIN		
0006	NE15.031		MALE TONGUE PLAIN 6,3 D.6,3		
0007	U204.001		ELAS. WASHER 6,4X11,4 UNI 1751ZIN		
0008	11002771		UPPER CASING BOILER TEA		
0009	11000972		OR 3050 FKM 80 FD PEROXIDICA		
0010	11007591		RES CALD. V230 W1400 INC.800		
0010	11007592		RES CALD. V240 W1400 INC.800	240V	
0010	11010351		RES CALD. V208 W1400 INC.800	CSA	
0011	NM04.010		OR ORM 0730-40 FPM 70+ -5 IRHDBLACK		
0012	9011.222		LOWER BODY M6 TEA		
0013	11004424		ALUM.SPACER FOR PHILIPS SENSORM5000		
0014	9991.029		NUT FOR RESISTOR		
0015	140321462		O-RING 2018 SILICONE		
0016	9991.017		NUT 1/8		
0017	9991.119		NIPPL0 1/8X1/8 WITH OR		
0018	9181.401		ANGULAR TOOTHED M 1/8 TUBO 6 TEA		
0019	1020.817		PTC UNIT HARNESS ASS.		
0020	11004800		AMBRA BOILER ISOLATOR		
0021	11032112		COUPLING TO L M-CIL M-CON 1/8TEA		
0022	9991.118		GIGLER FILTER		
0023	9041.211		GIGLER TEA PLUG		
0024	NM04.011		OR ORM 0090-20 VITON GREEN		
0025	1030.R11		KIT CAP GIGLER		
0026	1037.R05		KIT ELECTROVALVE 3 WAY		
0027	9121.100.00P		ELECTROVALVE 3 WAYS 24V 60HZ TEA		
0028	NM01.002	140326562	OR 2012 SILICONE		
0029	U208.003		TOOTHED WASHER 5,1X9 BRU		
0030	9041.101		BOILER SUPPORT CAP		
0031	U043.021		screw TCBC M5,0X8 UNI 7687 GALV.		
0032	NM01.008	140320459	OR ORM 0080-20 SILICONE		
0033	9011.184		BOILER PIN		
0034	NM01.035		OR ORM 0090-20 SILICONE		
0035	NM01.057		OR ORM 0050-20 IN SILICONE		
0036	1020.R01		AND UNIT		
0037	11009205		BOILER ASSEMBLY 2M 230V		
0037	11009769		BOILER ASSEMBLY IDEA 2M 240V	240V	
0037	263394		COFFEE BOILER ASS. 208V CSA/NSF	CSA / NSF	



Pos.	Item	Repl. by	Description	Notes	Price (USD)
0001	11035308		AS RST TUBE STEAM	AS	
0001	263371		TEA DUO RST STEAM TUBE	CSA	
0002	11034559		TUBE STEAM 2 GRIND COFFEE		
0002	11035900		DUO RST TUBE STEAM	DUO	
0002	263370		TEA 2M STEAM TUBE	CSA	
0003	12001163		STANDARD CAP F 1/4 GAS TEA	LUXE	
0004	11008142		ASS.TUBE HOT WATER 2 GRIND COFFEE		
0004	263368		TEA HOT WATER TUBE ASS.	CSA	
0005	11008141		ASS.TUBE CAPPUCCINATORE 2 GRIND COFFEE	CAPPUCCINO / DUO	
0005	263367		TEA MILK FROTHER TUBE ASS.	CSA	
0006	11032112		COUPLING TO L M-CIL M-CON 1/8TEA		
0006	12001803		CONN. A L M 1/8X1/4 NIK.ALIM.	DUO	
0007	11011440		CONNECTOR FAUCET OUTLET TEA		
0008	NM01.054		OR 2056 SILICONE		
0009	9181.249		SPRING FOR FAUCET PIN		
0010	11009018		TEA/BRASS PISTON L= 15,1 ASSY.		
0011	U046.008		screw TEFZ M6,OX16 GALV.		
0012	11035169		BLK AUTO STEAM SUPPORT	AS	
0013	11035351		RST IDEA AUTOMATIC STEAM PIPENTC 3K3	AS	
0014	9971.012	9971.015	TEFLON TUBE 4X6 L.150 MM	AS	
0015	NR10.014		CONNECTOR 1/8" D.6 REVOLVING	AS	
0016	12001619		AIR REGULATOR M5 PIPE D.6	AS	
0017	11027824		COUPLING 1/8" M x 1/4" M TEA	AS	
0018	17001262		LFBRASS 2W.EV 21JN1R4V20-X031	AS	
0019	11031852		CONNECTOR 1/8 GAS M/F TEA CAPS	AS	
0020	11011441		FAUCET BODY TEA		
0021	9181.285		SEMISPHERE CONTRAST VALVE		
0022	9181.261		UPPER SEMI-SPHERE		
0023	9181.391		STEAM STEEL		
0024	9181.262		LOWER SEMI-SPHERE		
0025	9181.263		NUT FOR FAUCET		
0026	WGA4003033000		GRIP STEAM TUBE		
0027	NG03/021		COPPER GASKET DISK D.11 X 1.5		
0028	140321462		O-RING 2018 SILICONE		
0029	9181.393		STEAM NOZZLE		
0030	11035083		RST MODULAR STEAM FAUCET ASS.		
0030	11036054		DUO RST MODULAR STEAM FAUCET ASS.	DUO	
0030	263391		STEAM TAP ASS. DUO RST 208V	CSA	
0031	11034553		BUSH		
0032	NM01.019		OR 3075 SILICONE		
0033	NM01.004		OR 2025 SILICONE		
0034	11011681		FAUCET ROD 2 GRIND COFFEE TEA		
0035	11008412		SOLENOID VALVE ASS.CAPPUCCINATORE 2	CAPPUCCINO / DUO	

Pos.	Item	Repl. by	Description	Notes	Price (USD)
0036	9181.413		TAPPO RUBINETTO		
0037	9181.383		WASHER FAUCET CAP		
0038	11033102		EV DOUBLE 2 WAYS 24V TYPE 9000TEA	CAPPUCCINO / DUO	
0039	NR07.013		STD TOOTHED CONN. M 1/8X06 NICK.	CAPPUCCINO / DUO	
0040	9181.401		ANGULAR TOOTHED M 1/8 TUBO 6 TEA	CAPPUCCINO / DUO	
0041	1040.101.050		SUPPORT		
0042	1040.097		STEAM KNOB CHROMED		
0043	1040.099.050		BUSH STEAM KNOB		
0044	1040.098		CAP KNOB STEAM		
0045	U023.003		screw TCEI M4,0X10 UNI 5931 BURN.		
0046	11003692		FAUCET CAP STEAM		
0047	11035041		IDEA STEAM KNOB ASSEMBLY		
0048	9180.015		MODULAR WATER FAUCET ASS.		
0049	U005.012		screw TE M4,0X30 UNI 5739 GALV.	CAPPUCCINO / DUO	
0050	9121.114.00P		HOT WATER SOL.VALVE 2 WAY UL TEA		
0051	0701.082		SPRING FOR TUBE PRODUCT 2	CAPPUCCINO / DUO	
0052	11011445		FAUCET CONNECTOR H2O TEA		
0053	9181.392		WATER STEEL		
0054	1020.R08		TUBE KIT		
0055	WGADM0794/003		Adhesive Steam Nameplate		
0056	1020.R07		LUBRORING BUSH ASS. TEA		
0057	9181.312		WATER TUBE SLEEVE UL TEA		
0058	263383		AERATOR		
0059	0801.R01		SOLENOID VALVE COIL DA 10 P 24V 5		
0060	12002052		ZN-B TCB SCREW M4X16		
0061	128310404		WASHER UNI 8842 A4 BURNISHED		
0062	9181.281.050		SLEEVE HANDGRIP		

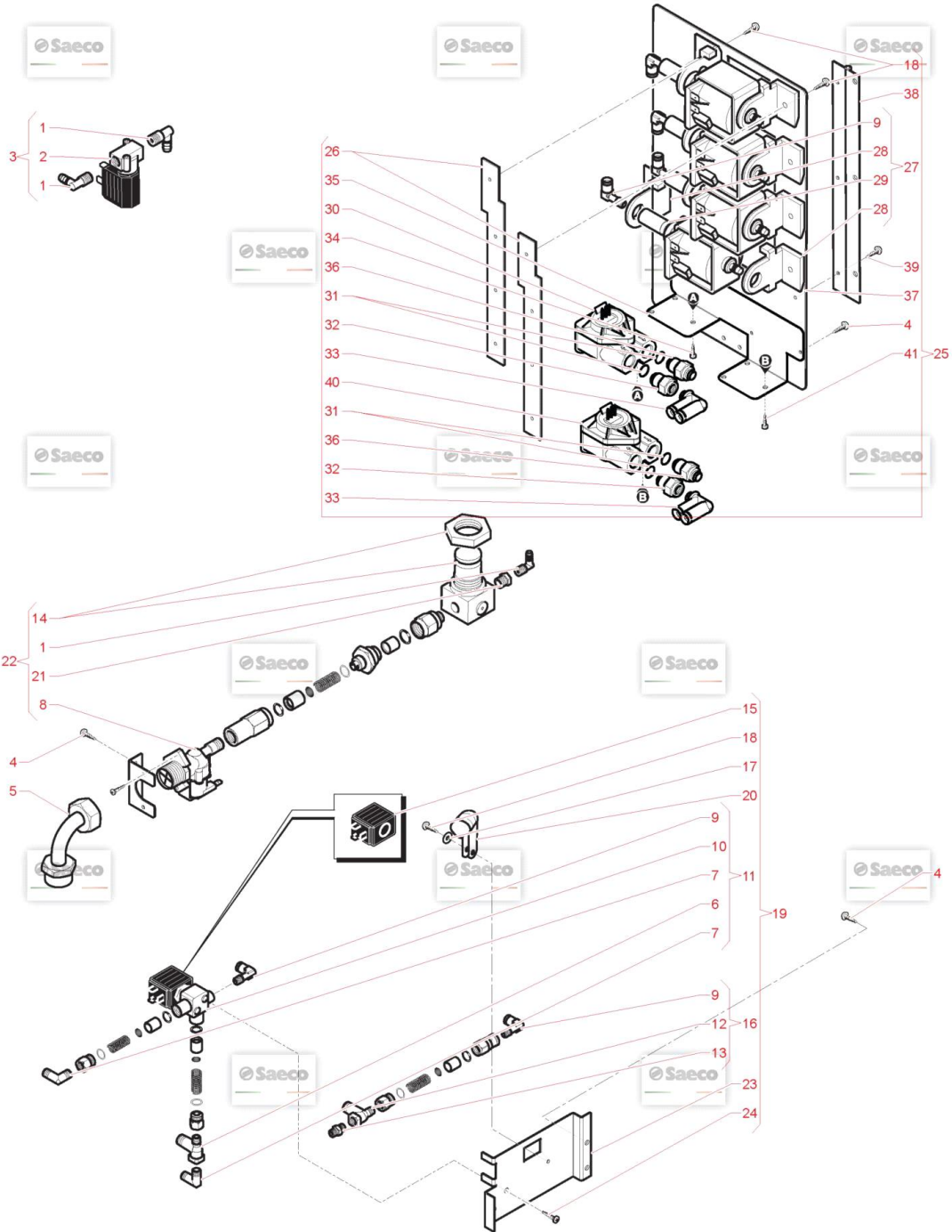


Pos.	Item	Repl. by	Description	Notes	Price (USD)
0001	263769		208 V UL WATER/STEAM BOILER ASS.	CSA / UL	
0001	263770		230 V STEAM/WATER BOILER ASS.		
0002	NM04.016		OR 4055 FKM 80 FD PEROXIDICA		
0003	263350		BOILER BODY		
0004	1034.130		WATER BOILER INSULATOR		
0005	9041.222		PIPE COIL		
0006	9041.213.00A		UPPER HEAT ELEMENT 1500W 230V		
0006	9041.213.00Z		UPPER HEAT ELEMENT 1500W 208V	CSA	
0007	9041.214.00A		LOWER HEAT ELEMENT 1500W 230V		
0007	9041.214.00Z		LOWER HEAT ELEMENT 1500W 230V	CSA	
0008	U005.003		screw TE M6,OX12 UNI 5739 GALV.		
0009	12001880		SAFETY VALVE D7/CS 3bar 1/4"-1/2"		
0010	12000169		STRAIGHT CONN.D.8x1/4 BRASS NICKED TEA		
0011	11025154		STANDARD CONN. T FFM 1/4 TEA		
0012	11011448		"L" CONNECTOR MM 1/4-1/4 TEA;"L"" CONNECTOR MM 1/4-1/4 TEA		
0013	NV99.019		COPPER WASHER 1/4		
0014	NR07.061		STANDARD CAP M 1/4 GAS		
0015	9041.198		THERMOSTAT RETAINING SPRING		
0016	NE09.010		THERMOSTAT 135° NC FAST. 90° + WASHER		
0017	9991.029		NUT FOR RESISTOR		
0018	U023.004		screw TCEI M6,OX12 UNI 5931 GALV.		
0019	U208.006		TOOTHED WASHER 6,4X11 UNI 3703		
0020	9041.188		BOILER LID ASS.		
0021	NM04.015		OR 4425 FKM 80 FD PEROXIDICA		
0022	11011450		T SPECIAL CONNECTOR TEA		
0023	11011419		DOUBLE CONNECTOR 1/8-1/8 TEA		
0024	11034560		TUBE LEAK VALVE		
0024	263372		TEA BREATHER VALVE TUBE	CSA	
0025	1020.R04		PRESSURE SWITCH CALIBRATING TOOL		
0026	NE08.004		PRESSURE SWITCH MATER XP110		
0027	1034.A11		VENT VALVE		
0028	11030453		CONNECTORF1/2" Ch.24 D.i TUBE7: 8		
0029	263373		TEA PRESSURE SWITCH TUBE	CSA	
0029	9181.398		TUBE		
0030	11011449		"T" CONNECTOR MMM 1/4-1/4-1/4TEA;"T"" CONNECTOR MMM 1/4-1/4		
0031	9041.208		VACUUM VALVE CAP		
0032	NM01.016		OR 3068 SILICONE		
0033	9040.008		VACUUM VALVE ASS.		

Pos.	Item	Repl. by	Description	Notes	Price (USD)
0034	9181.368		"L" CONNECTOR MF 1/4-1/4 TEA; "L" CONNECTOR MF 1/4-1/4 TEA		
0035	9040.009		MODULAR LEVEL PROBE ASS.		
0036	11032112		COUPLING TO L M-CIL M-CON 1/8TEA		

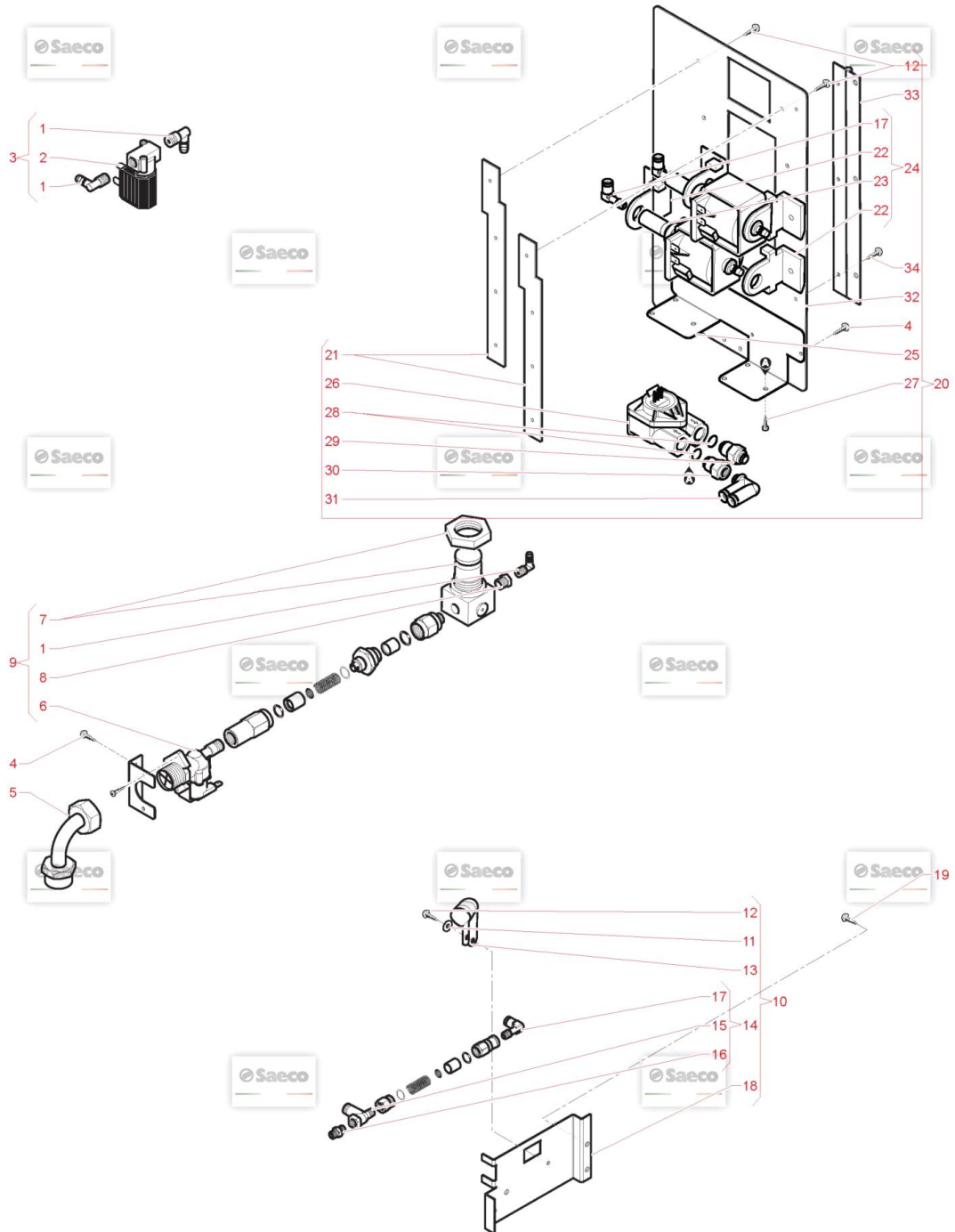


Idea Restyle Duo

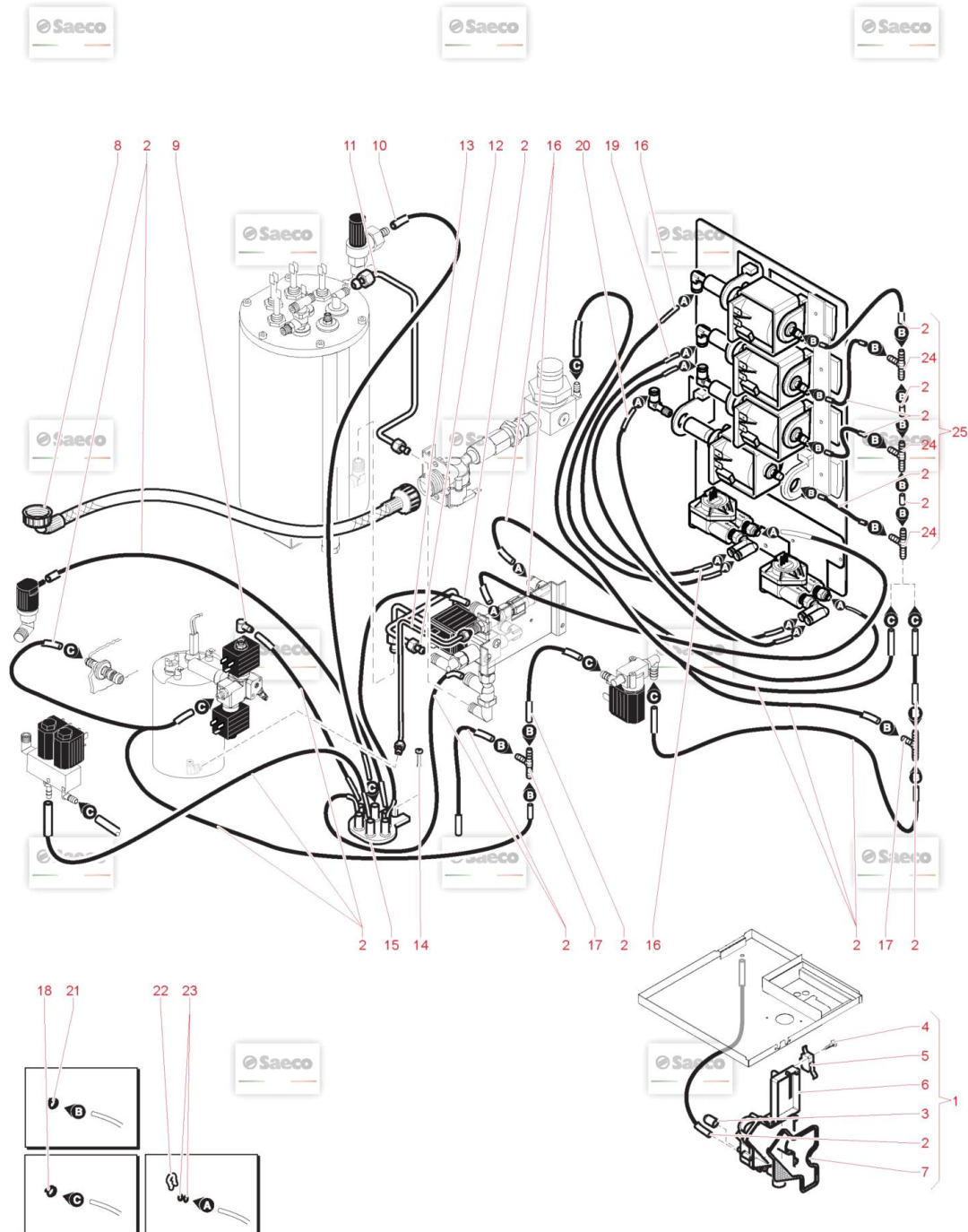


Pos.	Item	Repl. by	Description	Notes	Price (USD)
0001	9181.401		ANGULAR TOOTHED M 1/8 TUBO 6 TEA	220V	
0002	11032924		EV.2VIE-24VDC-7W-F/F1/8"- D.1,2-18BAR-TEA	220V	
0003	11035078		SOLENOID COLD WATER ASSEMBLY	220V	
0004	U110.004		screw AUT.TCB 3,5X6,5 DIN 7981F		
0005	9181.396		INTAKE CONNECTOR 90° MF 3/4-3/4		
0006	9181.308		EXPANSION VALVE ASS.6-8 TEA		
0007	11032112		COUPLING TO L M-CIL M-CON 1/8TEA		
0008	9121.058.00W		SOLENOID VALVE RPE 3/4-1/4 24VAC		
0009	9181.348		TEA/BRASS CONNECTOR 1/8" CONICAL AT 90°		
0010	11011451		SOLENOID VALVE 2-WAY 24V 50/60HZ TEA		
0011	1034.A05.00P		SOLENOID VALVE ASS.CAPPUCCINATORE		
0012	9181.307		EXPANSION VALVE ASS. 16-18 ULTEA		
0013	11011419		DOUBLE CONNECTOR 1/8-1/8 TEA		
0014	NV99.007		PRESS. REDUCER .1BAR 1/4 MRABIT 52		
0015	1020.R01		AND UNIT		
0016	1034.A04		COFFEE DISPENSER TEA		
0017	NF11.100		CLIP RICHCO SPN-10		
0018	U110.002		screw AUT.TCB 3,5X13 DIN 7981F		
0019	1034.A06.00P		ASS.VALVOLE		
0020	U201.005		PLAIN WASHER 4,3X12 DIN 7349 GAL		
0021	9181.404		REDUCTION MF 1/4"X1/8" TEA		
0022	1034.A03.00W		PRESSURE REGULATOR ASS.		
0023	1034.087		BLACK TURBINE SUPPORT		
0024	129823802		TCB SCREW M4X8 UNI 7687 ZNP		
0025	11036798		PLATE PUMPS 230V + TURBINE		
0025	11036822		PLATE PUMPS 208V + TURBINE	CSA	
0025	11036823		PLATE PUMPS 220V + TURBINE	220V	
0026	1034.033		PLATE FIXING PUMPS		
0027	11032094		PUMP IDEA 230V		
0027	11032095		PUMP IDEA 220V 60HZ	220V	
0027	11032096		PUMP IDEA 208V 60HZ	CSA	
0028	149205850		BLACK TYPE ULKA PUMP W/ BEVEL SUPPORT		
0029	12002320		ULKA PUMP EX5GW 220 VOLT	220V	
0029	187720958		PUMP 230 VOLT		
0029	9070.035.00Z		ULKA PUMP EAP5 220V 60HZ	CSA	
0030	12002010		PLASTIC GICAR FLOWMETER D.2		
0031	NM01.049		OR ORM 0070-20 SILICONE		
0032	9181.406		TEA/BRASS CONNECTOR TURBINE MF1/4 1/8		
0033	11008823		TEA/BRASS 90° CONNECTOR DOUBLEFAST LOCK		
0034	U109.011		screw AUT.TCB 3,9X9,5 DIN 7981C		

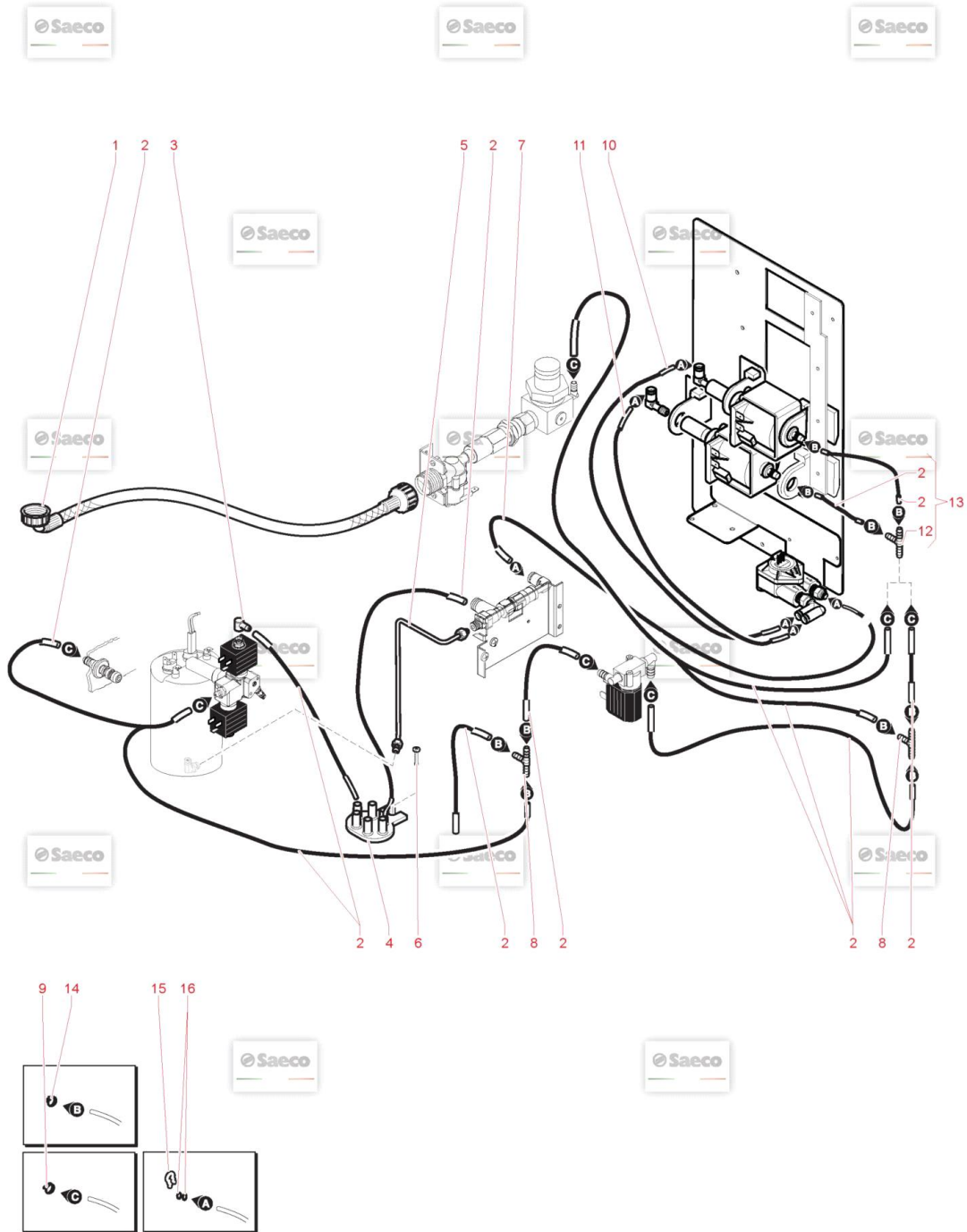
Pos.	Item	Repl. by	Description	Notes	Price (USD)
0035	11036796		SUPPORT FIXING FLOWMETER		
0036	9181.407		TEA/BRASS CONNECTOR WATER SYSTEM TURBINE		
0037	1034.025		PUMP PLATE		
0038	1034.027		HINGE		
0039	U110.003		screw AUT. TCB 3,5X9,5 DIN 7981F		
0040	263384		TURBINE BRASS TEA/PLASTIC D.2		
0041	129824002		TCB SCREW M4X10 UNI 7687 ZNP		



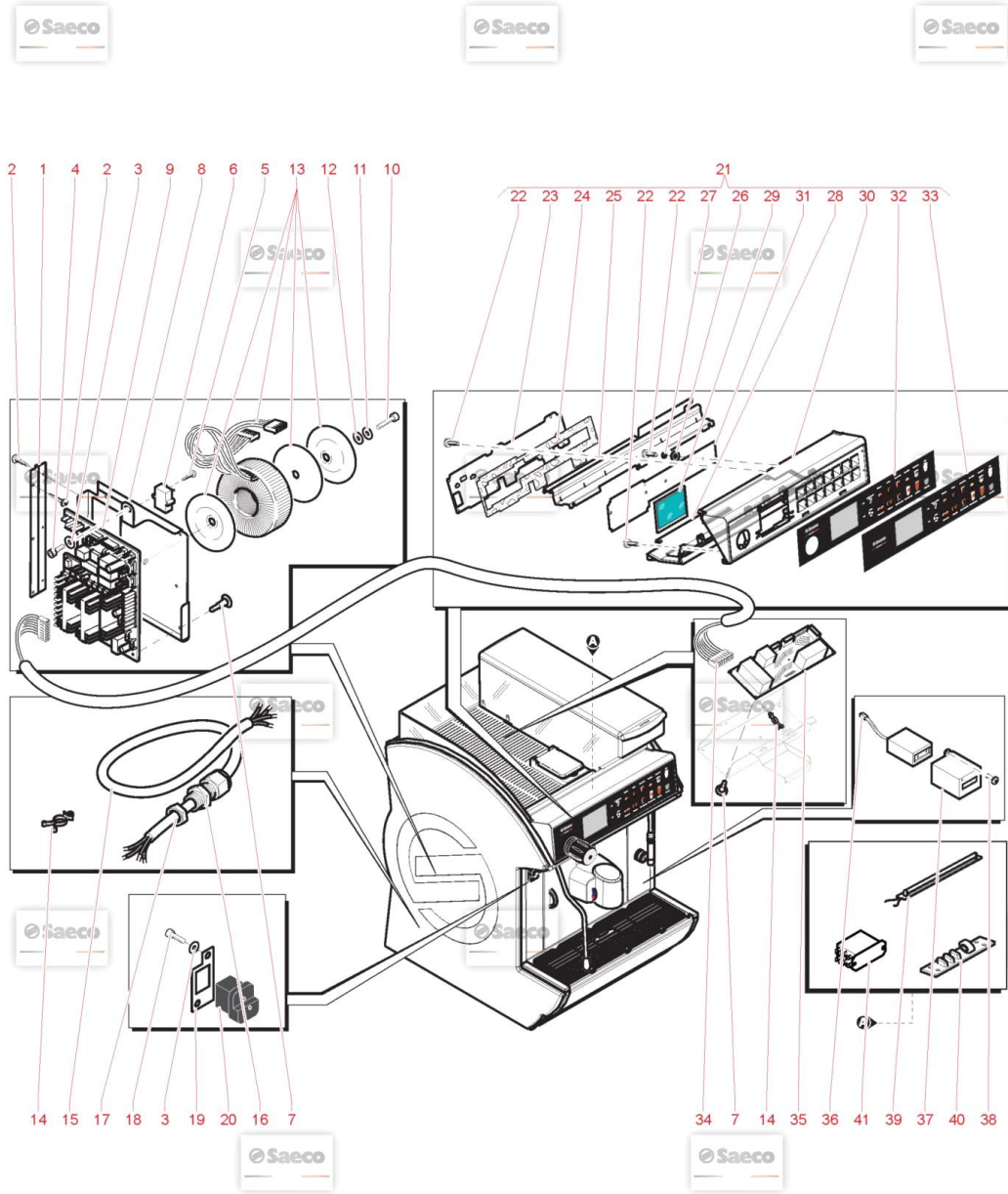
Pos.	Item	Repl. by	Description	Notes	Price (USD)
0001	9181.401		ANGULAR TOOTHED M 1/8 TUBO 6 TEA	220V	
0002	11032924		EV. 2VIE-24VDC-7W-F/F1/8"- D. 1,2-18BAR-TEA	220V	
0003	11035078		SOLENOID COLD WATER ASSEMBLY	220V	
0004	U110.004		screw AUT.TCB 3,5X6,5 DIN 7981F		
0005	9181.396		INTAKE CONNECTOR 90° MF 3/4-3/4		
0006	9121.058.00W		SOLENOID VALVE RPE 3/4-1/4 24VAC		
0007	NV99.007		PRESS. REDUCER .1BAR 1/4 MRABIT 52		
0008	9181.404		REDUCTION MF 1/4"X1/8" TEA		
0009	1034.A03.00W		PRESSURE REGULATOR ASS.		
0010	1036.A02.00P		ASS. VALVOLA CAFFE'		
0011	U201.005		PLAIN WASHER 4,3X12 DIN 7349 GAL		
0012	U110.002		screw AUT.TCB 3,5X13 DIN 7981F		
0013	NF11.100		CLIP RICHCO SPN-10		
0014	1034.A04		COFFEE DISPENSER TEA		
0015	9181.307		EXPANSION VALVE ASS. 16-18 ULTEA		
0016	11011419		DOUBLE CONNECTOR 1/8-1/8 TEA		
0017	9181.348		TEA/BRASS CONNECTOR 1/8" CONICAL AT 90°		
0018	1034.087		BLACK TURBINE SUPPORT		
0019	U110.004		screw AUT.TCB 3,5X6,5 DIN 7981F		
0020	11036860		PUMPS 230V		
0020	11036861		PUMPS 220V 60HZ	220V	
0021	1034.033		PLATE FIXING PUMPS		
0022	149205850		BLACK TYPE ULKA PUMP W/ BEVEL SUPPORT		
0023	12002320		ULKA PUMP EX5GW 220 VOLT	220V	
0023	187720958		PUMP 230 VOLT		
0024	11032094		PUMP IDEA 230V		
0024	11032095		PUMP IDEA 220V 60HZ	220V	
0025	11036796		SUPPORT FIXING FLOWMETER		
0026	12002011	65A000000	BRASS/PLASTIC GICAR FLOWMETERD. 2		
0027	129824002		TCB SCREW M4X10 UNI 7687 ZNP		
0028	NM01.049		OR ORM 0070-20 SILICONE		
0029	9181.407		TEA/BRASS CONNECTOR WATER SYSTEM TURBINE		
0030	9181.406		TEA/BRASS CONNECTOR TURBINE MF1/4 1/8		
0031	11008823		TEA/BRASS 90° CONNECTOR DOUBLEFAST LOCK		
0032	1034.025		PUMP PLATE		
0033	1034.027		HINGE		
0034	U110.003		screw AUT.TCB 3,5X9,5 DIN 7981F		



Pos.	Item	Repl. by	Description	Notes	Price (USD)
0001	11035035		DUCT DRIP RST ASSEMBLY		
0002	9972.185	9972.246	SILICONE TUBE 5X10 L.440MM		
0003	12000661		SILICONE CAP DI: 4,5 DE: 7,5 L: 12		
0004	U140.017		PANELVIT TCB 3,0X20 DIN 7505 BGAL		
0005	NE05.050		MICROSWITCH		
0006	1034.088.050		DRIP CHANNEL		
0007	1020.038		DRIP CHANNEL SEAL		
0008	NV99.003		FLEXIBLE TUBE FF 3/4 L= 1800 90°		
0009	9991.145		CONN. IN RUBBER 90 DEG. FOR SOL.VAL		
0010	9972.055		SILICONE TUBE 7X11 L.2000MM		
0011	11008128		COILED TUBE 2 COFFEE GRIND		
0011	263364		TEA SERPENTINE TUBE ASS.	CSA	
0012	11008129		ASS.STEAM TUBE 2 COFFEE GRIND		
0012	263365		TEA STEAM TUBE ASS.	CSA	
0013	11008140		ASS.TUBE BOILER COFFEE' 2 GRIND COFFEE		
0013	263366		TEA BOILER TUBE ASS.	CSA	
0014	U043.008		screw TCBC M5,0X10 UNI 7687 GALV.		
0015	11008124		UNLOADING CONNECTION 2 GRIND COFFEE		
0016	9979.A86		TEFLON ASS. TUBE 4X2 L.350 7-7		
0017	NV99.004		CONNECTOR T MORONI 8026047 D= 8	220V	
0018	NV99.077		TUBE-TIGHTENING CLAMP D= 9.8/10.6		
0019	9979.A84		TEFLON TUBE 4X2 L.265 7-7 ASSY.		
0020	9979.A85		TEFLON TUBE 4X2 L.215 7-7 ASSY.		
0021	NV99.087		BAND D= 11/11,6		
0022	9011.144		SS FORK FOR TUBE D= 4		
0023	140328059		OR 2015 SILICONE PTFE/FDA		
0024	NV99.091		T CONNECTOR		
0025	1034.A22		PUMP TUBES ASS.		

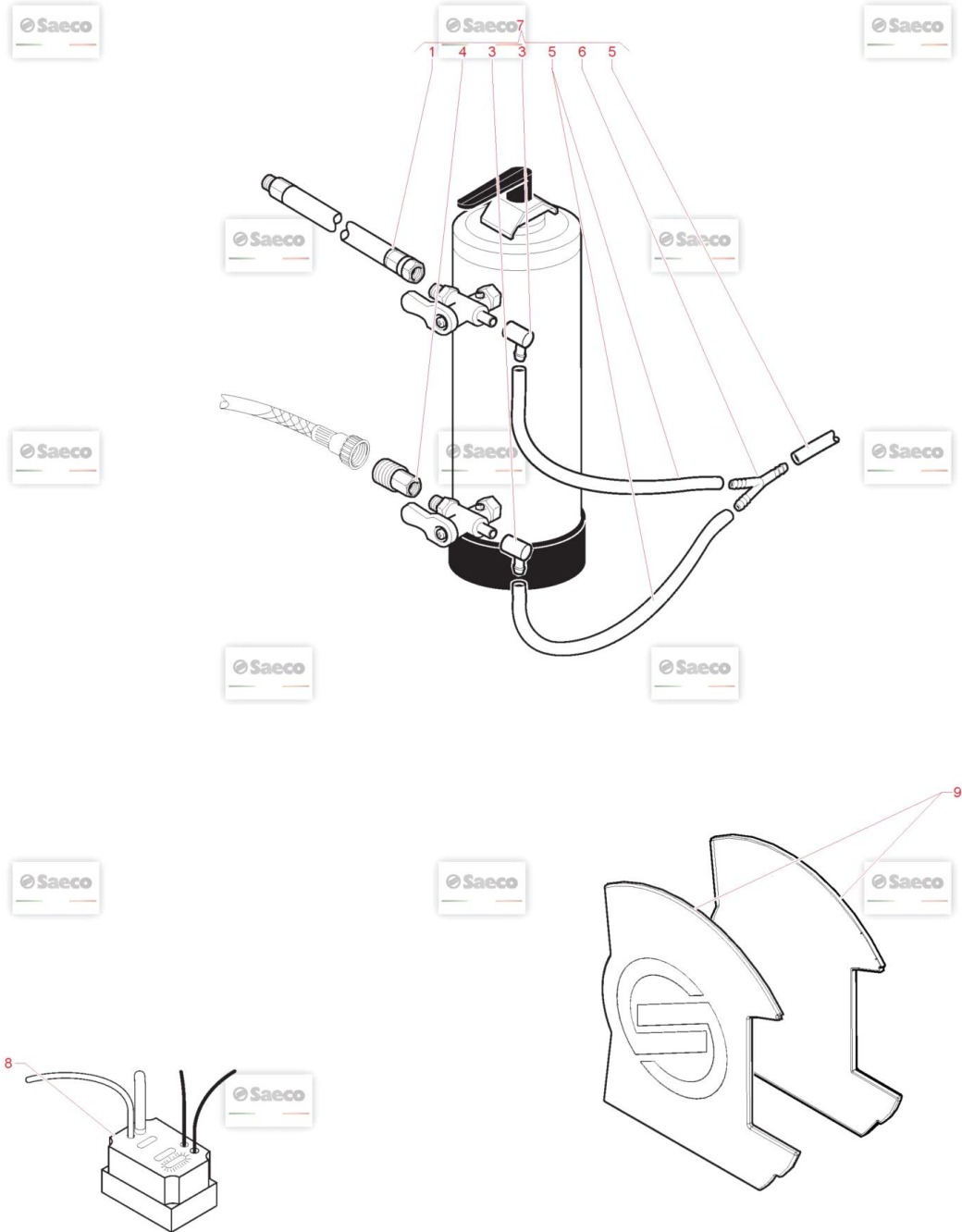


Pos.	Item	Repl. by	Description	Notes	Price (USD)
0001	NV99.003		FLEXIBLE TUBE FF 3/4 L= 1800 90°		
0002	9972.185	9972.246	SILICONE TUBE 5X10 L.440MM		
0003	9991.145		CONN. IN RUBBER 90 DEG. FOR SOL.VAL		
0004	11008124		UNLOADING CONNECTION 2 GRIND COFFEE		
0005	11008140		ASS.TUBE BOILER COFFEE' 2 GRIND COFFEE		
0006	U043.008		screw TCBC M5,0X10 UNI 7687 GALV.		
0007	9979.A86		TEFLON ASS. TUBE 4X2 L.350 7-7		
0008	NV99.003		FLEXIBLE TUBE FF 3/4 L= 1800 90°	220V	
0009	NV99.077		TUBE-TIGHTENING CLAMP D= 9.8/10.6		
0010	9979.A86		TEFLON ASS. TUBE 4X2 L.350 7-7		
0011	9979.A85		TEFLON TUBE 4X2 L.215 7-7 ASSY.		
0012	NV99.091		T CONNECTOR		
0013	1036.A04		PUMP TUBES ASS.		
0014	NV99.087		BAND D= 11/11,6		
0015	9011.144		SS FORK FOR TUBE D= 4		
0016	140328059		OR 2015 SILICONE PTFE/FDA		



Pos.	Item	Repl. by	Description	Notes	Price (USD)
0001	1034.027		HINGE		
0002	U110.004		screw AUT.TCB 3,5X6,5 DIN 7981F		
0003	U201.005		PLAIN WASHER 4,3X12 DIN 7349 GAL		
0004	U110.003		screw AUT.TCB 3,5X9,5 DIN 7981F		
0005	U110.006		screw AUT.TCB 2,9X13 DIN 7981F		
0006	NE13.033		FILTER		
0007	NL04.014		SPACER CARD H= 9,5		
0008	11034999		ASS. BLK SIDE PLATE		
0009	11034988		CPU CARD POWER IDEA RST		
0010	U043.031		screw TCBC M5,0X40 UNI 7687 GALV.		
0011	128310504		WASHER UNI 8842 A5 BURN.		
0012	U207.009		PLAIN WASHER 5,5X15 UNI 6593 GA		
0013	11034719		TOROIDAL TRANSFORMER 80VA DEARST		
0014	NE17.008		RICHCO CABLE RETAINER STL		
0015	263663		SINGLE-PHASE POWER SUPPLY CABLE		
0015	NE01.059		CABLE USA PROFIMAT DE LUXE BLACK	CSA	
0016	NE17.009		HEYCO CABLE CLAMP TYPE 3213		
0017	NE17.011		HEYCO LOCKING RING NUT 3213/B		
0018	U023.003		screw TCEI M4,0X10 UNI 5931 BURN.		
0019	1020.066.470		BLACK SWITCH PLATE		
0020	12001912		BIPOL. SWITCH EVEREL SXA4388211000G00		
0021	11034964		220/60 LUXE FRONT ASSEMBLY	LUXE - 220V	
0021	11034966		INTERN. LUXE FRONT ASSEMBLY	LUXE	
0021	11034967		INTERN. CAPP FRONT ASSEMBLY	CAPPUCCINO	
0021	11034968		220/60 CAPP FRONT ASSEMBLY	CAPPUCCINO - 220V	
0021	11035109		RST CAPP AS FRONT ASSEMBLY	AS - CAPPUCCINO - 220V	
0021	11035215		INTERN. AS CAPP FRONT ASSEMBLY	AS - CAPPUCCINO	
0021	11035401	264655	220/60 DUO FRONT ASSEMBLY	DUO - 220V	
0021	11035405		INTERN.DUO FRONT ASSEMBLY	DUO / 208V	
0021	11035406		220/60 COFFEE FRONT ASSEMBLY	COFFEE - 220V	
0021	11035407		INTERN.COFFEE FRONT ASSEMBLY	COFFEE	
0021	11036089		CSA CAPP FRONT ASSEMBLY	CAPPUCCINO - 208V	
0022	129660902		PANELVIT TCB SCREW 3,5X12 D.7505 Z		
0023	11035100		CLOSED FRONTAL ELECTRONIC		
0024	11034566		SEAL COVER		
0025	11034636		TANK FIXING		
0025	11035395		DUO TANK FIXING	DUO	
0026	145840365		SEAL FOR ARTICULA. STEAM TUBE		

Pos.	Item	Repl. by	Description	Notes	Price (USD)
0027	U207.002		PLAIN WASHER 4,3X9 UNI 6592 GAL		
0028	11034552	263806	LOWER CLOSED FRONT PANEL IDEARST		
0029	11032399		3,5" TFT DISPLAY 320x240		
0030	11034551	263805	FRONT PANEL IDEA RST PANTHERA		
0031	11034568		ELECTRONIC CARD+ SW UI IDEA RST		
0032	11034547		220/60 LUXE FRONT COVER ASSEMBLY	LUXE - 220V	
0032	11034957	264879	INTERN. CAPP COVER FRONT ASS.	CAPPUCCINO	
0032	11034958		220/60 CAPP COVER FRONT ASS.	CAPPUCCINO - 220V	
0032	11034963		INTERN. LUXE FRONT COVER ASSEMBLY	LUXE	
0032	11035383		220/60 DUO FRONT COVER ASSEMBLY	DUO - 220V	
0032	11035384		INTERN. DUO FRONT COVER ASSEMBLY	DUO / 208V	
0032	11036088		CSA CAPP FRONT COVER ASSEMBLY	CAPPUCCINO - 208V	
0033	11035108		RST CAPP AS FRONT COVER ASSEMBLY	AS - CAPPUCCINO - 220V	
0033	11035210		RST INT. CAPP AS FRONT COVER ASSEMBLY	AS - CAPPUCCINO	
0033	11035385		220/60 COFFEE FRONT COVER ASSEMBLY	COFFEE - 220V	
0033	11035386		INTERN. COFFEE FRONT COVER ASSEMBLY	COFFEE	
0034	1020.809		FLAT CABLE 16 POLE L.550MM		
0035	1030.804		MODULAR FILTER CARD 796 DS		
0036	12001442		IMPULSECOUNT.ISKRA 12VDC SI63.0 CABLE400		
0037	9991.140.050		IMPULSECOUNTERHOLDER KEISU GX-06R		
0038	U140.004		PANELVIT TCB 3,0X12 DIN 7505 BGAL		
0039	11035463	263907	DUO RST IDEA BLUE LED SMD AVAGO 12VDC	DUO	
0040	11009206		SCHEDA ELETTRONICA SENSORI 2M	DUO	
0041	1484.605		POWER RELAY 12A	DUO	



Pos.	Item	Repl. by	Description	Notes	Price (USD)
0001	NV99.092		FLEXIBLE TUBE MF 3/8 L= 500		
0002	1414.001		WATER SOFTENER 8 L		
0003	9991.145		CONN. IN RUBBER 90 DEG. FOR SOL.VAL		
0004	NR07.064		REDUCTION MF 3/4"X3/8" NIK		
0005	9972.057		SILICONE TUBE 5X8 L.2000MM		
0006	147920800		Y CONNECTOR D= 8 ART.80.26.048KA.466		
0007	1030.R06		WATER SOFTENER KIT		
0008	1476.000.00A		MODULAR PUMP KIT 230V 50HZ		
0008	1476.000.00H		MODULAR PUMP KIT 240V 50HZ	240V	
0008	1476.000.00Z		MODULAR PUMP KIT 208V 60HZ	208V	
0009	21002580		ACC KIT WHITE SIDES IDEA RST	WHITE TO S/ N 90211RXXXXXXXXXX	
0009	21002581		ACC KIT RED SIDES IDEA RST	RED TO S/N 90211RXXXXXXXXXX	
0009	21002582		ACC KIT WALNUT SIDES IDEA RST	WALNUT TO S/N 90211RXXXXXXXXXX	
0009	21002583		ACC KIT BLUE SIDES IDEA RST	BLUE TO S/N 90211RXXXXXXXXXX	