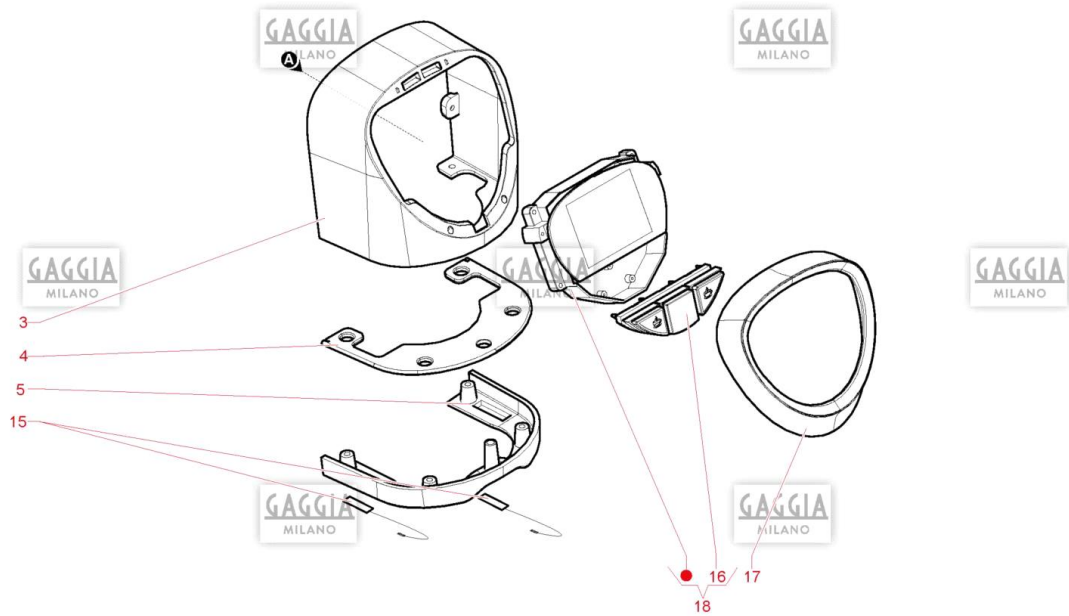
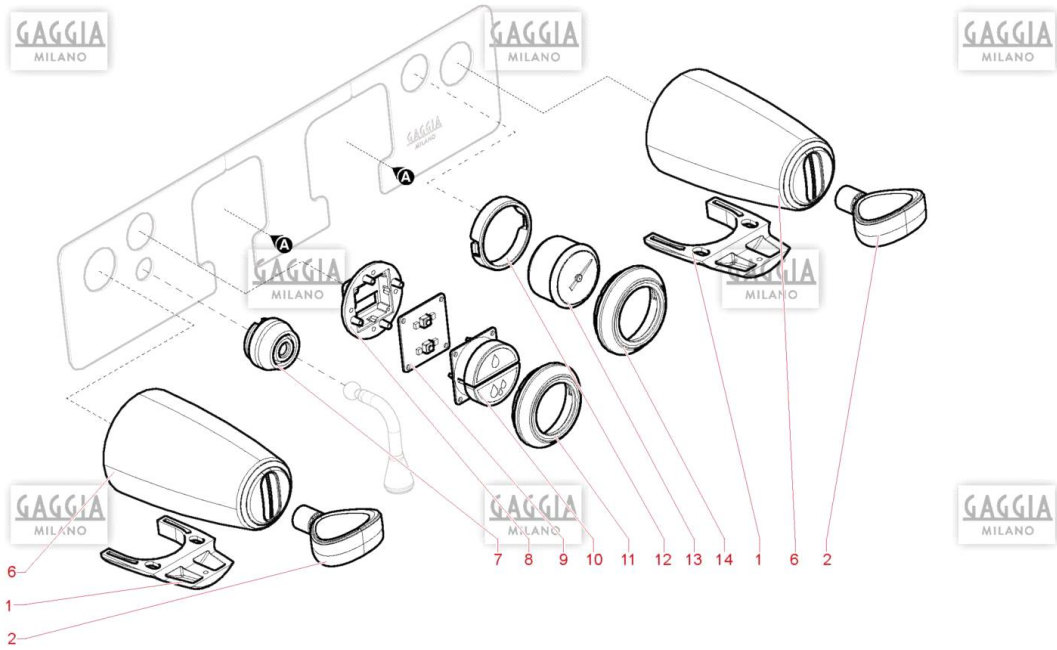
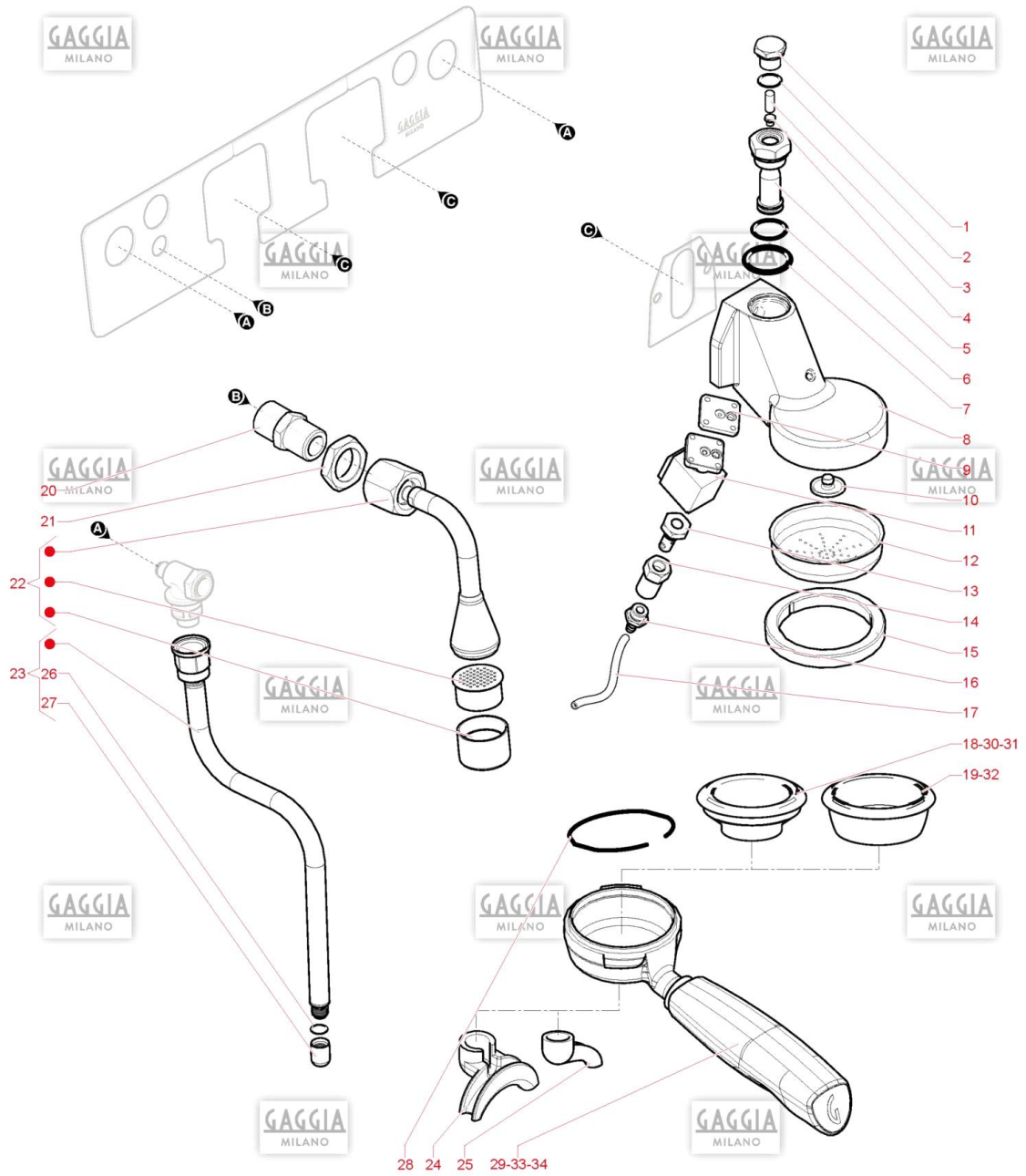


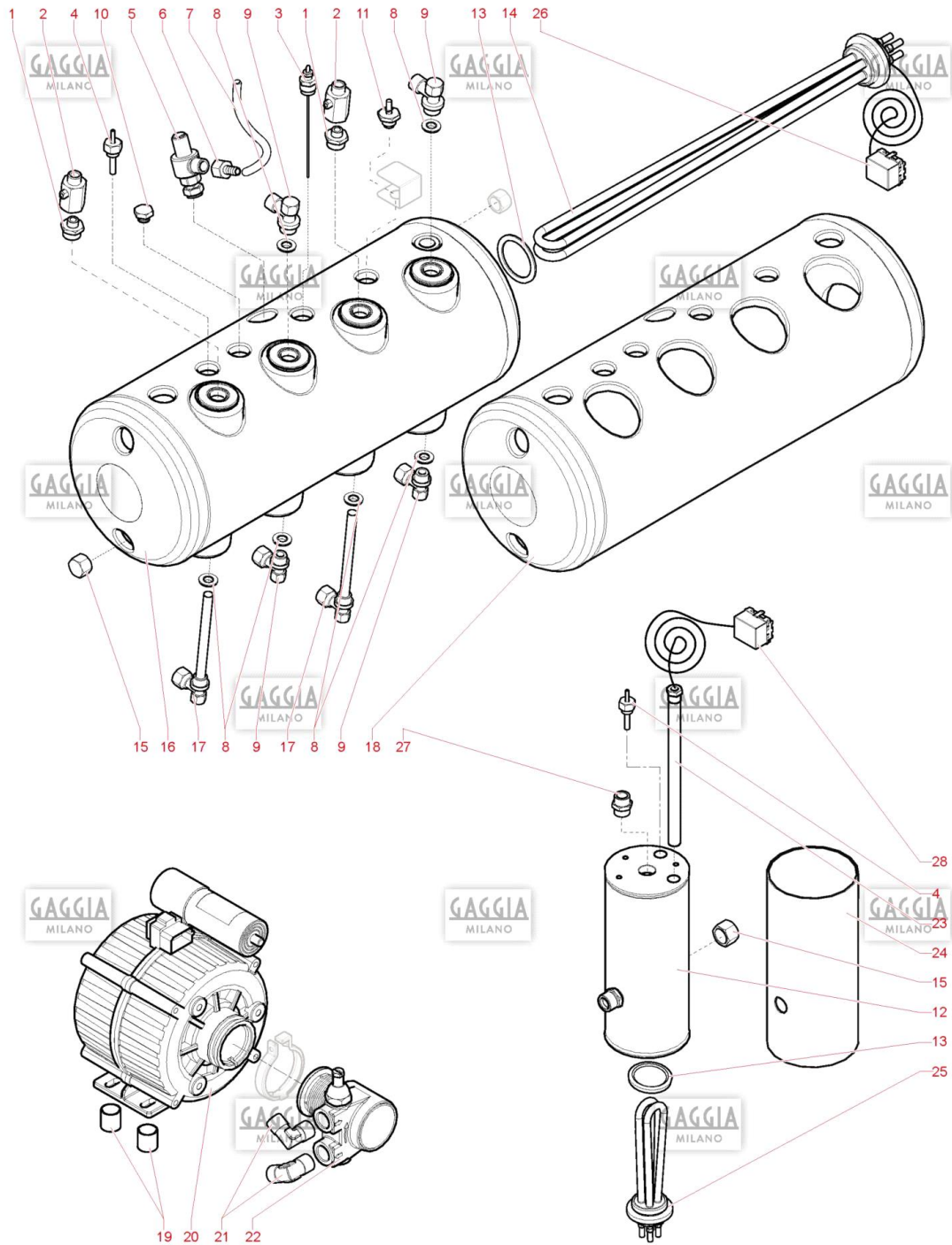
Pos.	Item	Repl. by	Description	Notes	Price (USD)
0001	262183		LEFT SIDE CUP COVER		
0002	262184		LEFT REAR_CUP COVER	2 GR	
0003	262182		RIGHT SIDE CUP COVER		
0004	262302		TRAY ASS. WITH SIDE PANELS	2 GR	
0005	262313		LOWER BAND -ANTHRACITE-	2 GR	
0006	262310		PLEXIGLASS LOGO ASS. WITH LED		
0007	262312		REAR PANEL	2 GR	
0008	262304		REAR TOP BAND ASS.	2 GR	
0009	262311		REAR RACK	2 GR	
0010	262062		TRAY SUPPORT - LH -		
0011	262301		LEFT BAND ASS.		
0012	262326		LEFT SIDE COVER - ANTHRACITE-		
0013	262063		LEG -RH/LH-		
0014	262213		FOOT		
0015	262113		DISCAHRGE TRAY		
0016	262327		LEFT SIDE ASS. -ANTHRACITE-		
0017	262117		T-SHAPED FITTING		
0018	262067		REAR UPPER GRILLE	2 GR	
0019	262061		TRAY SUPPORT - RH -		
0020	262066		FRONT UPPER GRILLE	2 GR	
0021	262324		RIGHT SIDE COVER - ANTHRACITE-		
0022	262300		RIGHT BAND ASS.		
0023	262325		RIGHT SIDE ASS. - ANTHRACITE-		
0024	262068		LOWER FRONT PLATE	2 GR	
0025	262064		INTERNAL LOW FRONT PROTECTION	2 GR	
0026	262065		LOW FRONT PROTECTION	2 GR	
0027	262070		BASIN ANTI-SCRATCH PROTECTION-LH-		
0028	262073		CHUTE GRILLE		
0029	262074		BASIN GRILLE	2 GR	
0030	262318		LOWER BAND -WHITE-	2 GR	
0031	262071		BASIN ANTI-SCRATCH PROTECTION-RH-		
0032	262069		BASIN TANK	2 GR	
0033	262317		PAD FOR CUP WARMER	2 GR	
0034	262299		SHEET ASS. WITH INTERFACE GLASS-2 GROUPS	2 GR	
0035	262303		CUP WARMER ASS.	2 GR	
0036	262211		RIGHT SIDE COVER		
0037	262308		RIGHT SIDE ASS. -WHITE-		
0038	262212		LEFT SIDE COVER		
0039	262309		LEFT SIDE ASS. -WHITE-		
0040	264201		AERATOR		



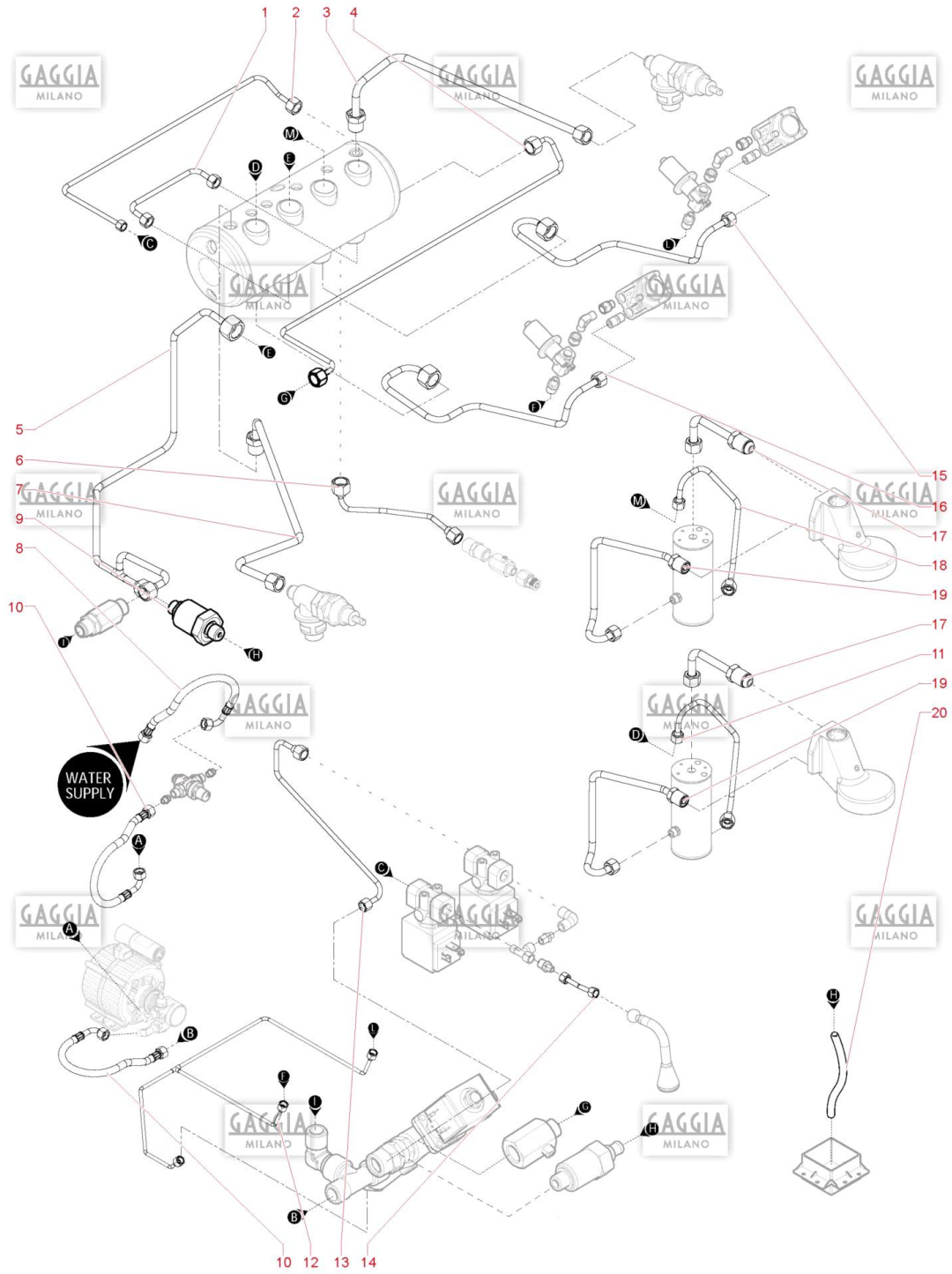
Pos.	Item	Repl. by	Description	Notes	Price (USD)
0001	262209		TAP COVER BRACKET		
0002	262298		STEAM LEVER ASS.		
0003	262297		GROUP COVER ASS. WITH SEAL		
0004	262054		GROUP COVER INSERT		
0005	262316		GROUP COVER		
0006	262307		TAP COVER ASS.		
0007	262058		WATER SLEEVING		
0008	262056		CARD CASE		
0009	262314		WATER KEY PCB		
0010	262057		WATER KEYS		
0011	262055		WATER KEY FRAME		
0012	262060		PRESSURE GAUGE LOCKING RING NUT		
0013	263291		PRESSURE GAUGE 0/3 WITH RING NUT GAGGIA LOGO		
0014	262059		PRESSURE GAUGE FRAME		
0015	262319		LIGHT LED 5500K		
0016	262293		KIT SELECTION BUTTONS		
0017	262053		GROUP COVER FRAME		
0018	262181		DISPLAY AND KEYPAD ASSY.		



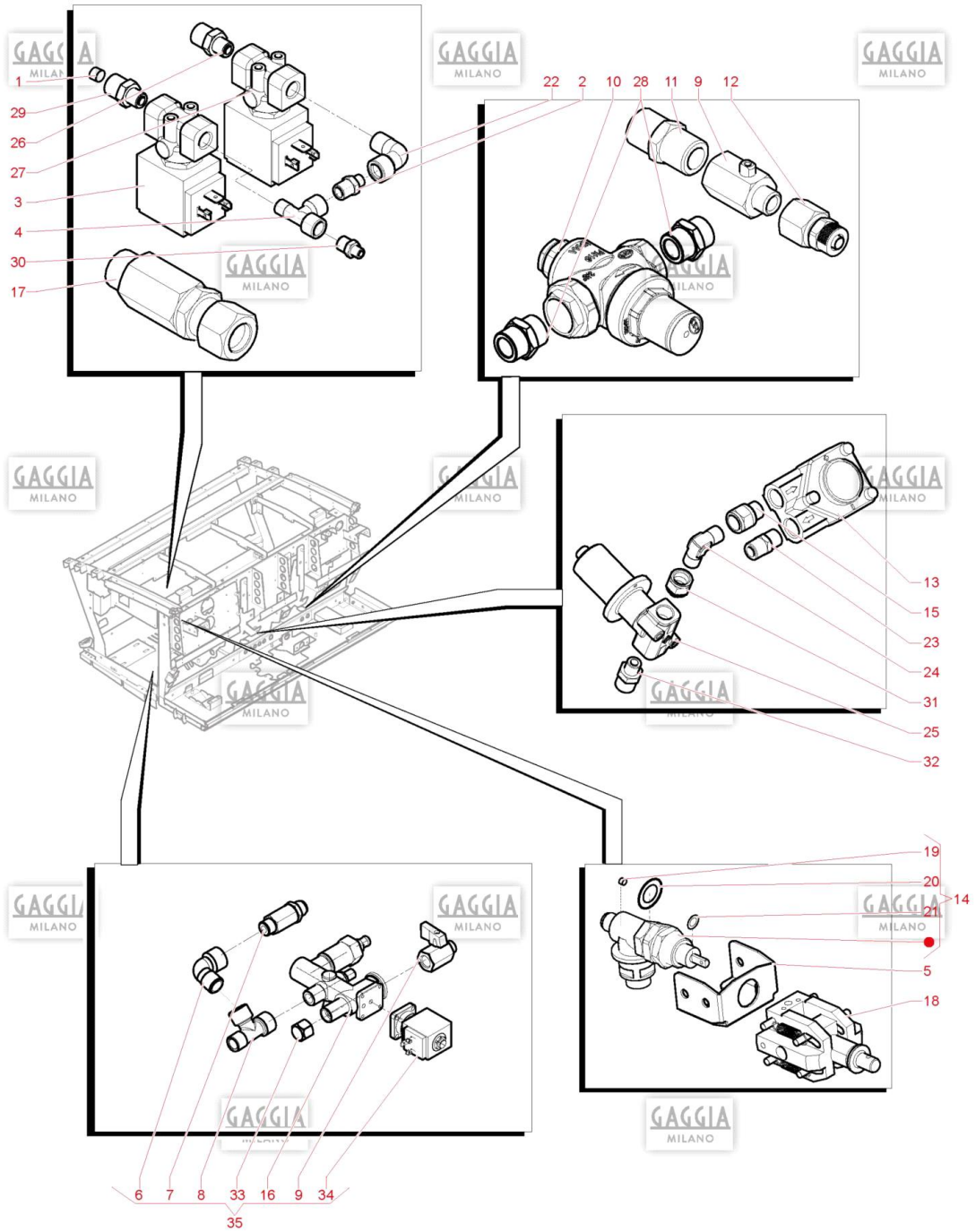
Pos.	Item	Repl. by	Description	Notes	Price (USD)
0001	262186		CLOSING CAP		
0002	262187		GROUP CAP SEAL		
0003	262188		GIGLER FILTER		
0004	262189		GROUP GIGLE D.O.8		
0005	262190		GROUP PUSHBUTTON		
0006	262191		PUSHBUTTON OR Ø26X3.53		
0007	262192		PUSHBUTTON SEAL		
0008	262185		CHROMED DISPENSING UNIT		
0009	262199		GROUP SOL.VALVE TEFLON SPACER		
0010	262193		GROUP DIFFUSER		
0011	264494		SOLENOID 3WAY 220V BAS UL O	2 GR UL	
0012	262194		GROUP OUTLET		
0013	262197		GROUP JET DIVIDER		
0014	262196		CHROMED DISCHARGE NUT H. 41		
0015	262195		SKID PAN SEAL		
0016	262200		HOSE HOLDER 3/8		
0017	262115		8X12 BLACK SILICONE HOSE - PERMETER-		
0018	262219		1TZ FILTER		
0019	262220		2TZ FILTER		
0020	262099		REDUCTION ES20 1/4-3/8 M-M		
0021	262082		NICKEL-PLATED NUT SUPPORT 3/8TH.6MM		
0022	262225		WATER HOSE ASS.		
0023	262226		STEAM WAND ASS.		
0024	262126		2-WAY SPOUT		
0025	262127		OPEN BENT 1-WAY SPOUT		
0026	262323		STEAM WAND NOZZLE OR		
0027	262322		STEAM WAND NOZZLE		
0028	262320		FILTER FASTENING SPRING		
0029	262321		FILTER HOLDER ASSEMBLY		
0030	264508		LOW FILTER 1 CUP -6G-		
0031	262592		COFFEE SINGLE DEEP FILTER		
0032	262591		DEEP FILTER		
0033	262589		SINGLE DEEP FILTER HOLDER ASSEMBLY		
0034	262590		DOUBLE DEEP FILTER HOLDER ASSEMBLY		



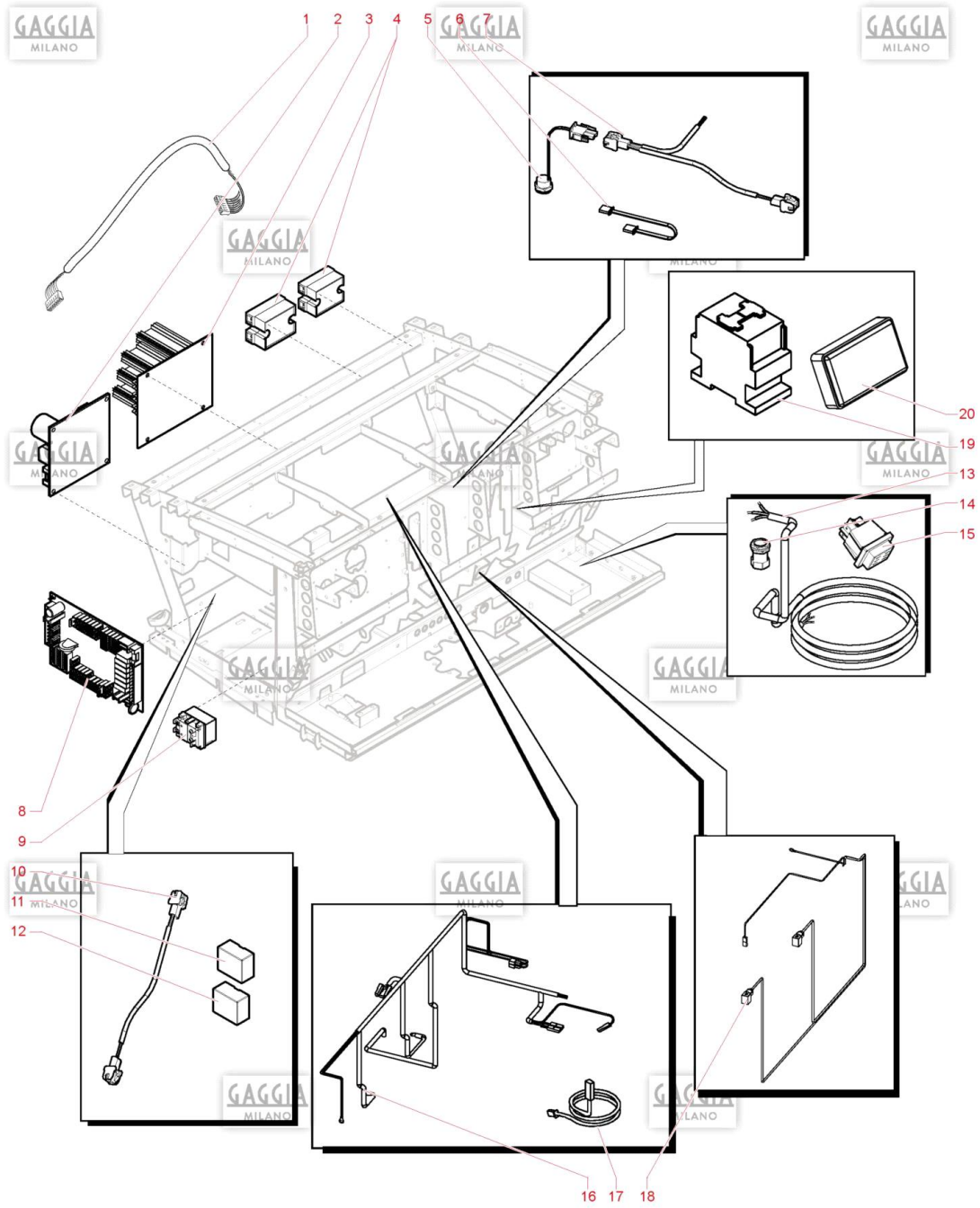
Pos.	Item	Repl. by	Description	Notes	Price (USD)
0001	262101		REDUCTION 1/2-1/4 M-M		
0002	262084		MINI BALL TAP 1/4 M-F		
0003	264548		LEVEL PROBE L = 115 MM		
0004	262121		STAINLESS STEEL TEMPERATURE PROBE		
0005	264504		VALVE SIC 3/8 SIG D7/CS AS	2 GR UL	
0006	262103		HOSE HOLDER F 1/2 HOLE 12		
0007	262116		9X12 SILICONE HOSE -PER METER-		
0008	262079		SEAL WITH INSERT 21X26X3.2		
0009	262087		L-SHAPED FITTING 1/2 M-M TOP		
0010	262104		CAP 1/4 M		
0011	262107		BOILER VALVE		
0012	264491		BOILER 1GR PERF NC 9022050	2 GR UL	
0013	262201		SEAL		
0014	264506		HEAT ELEMENT THERMAL FUSE ASSEMBLY		
0015	262105		CAP 3/8 F		
0016	264487		BOILER 2GR (10) Ø160/4SC NC 9	2 GR UL	
0017	264486		INJECTOR + RACC1/2MML = 170 NC	2 GR UL	
0018	262112		COVER INSULATION 566X460 TH.10	2 GR	
0019	262118		ANTI-VIBRATION 20X20		
0020	264499		MOTOR 92/GIU 180W 220/60 UL	2 GR UL	
0021	262086		L-SHAPED FITTING 3/8 M-M YELLOW		
0022	262131		PUMP MOD. 150 LT/H NSF		
0023	264490		PROBE HOLDER NC 2511007 - Ø9	2 GR UL	
0024	262111		INSULATING COVER 298X180 TH.7		
0025	264507		HEATER ELEMENT THERMAL FUSE ASSEMBLY		
0026	264496		THERMOSTAT EGO 3 POLES 20A UL	2 GR UL	
0027	262095		CYLINDRICAL NIPPLE 3/8M-M		
0028	264497		THERMOSTAT 2 POLES 20A DPL MR	2 GR UL	



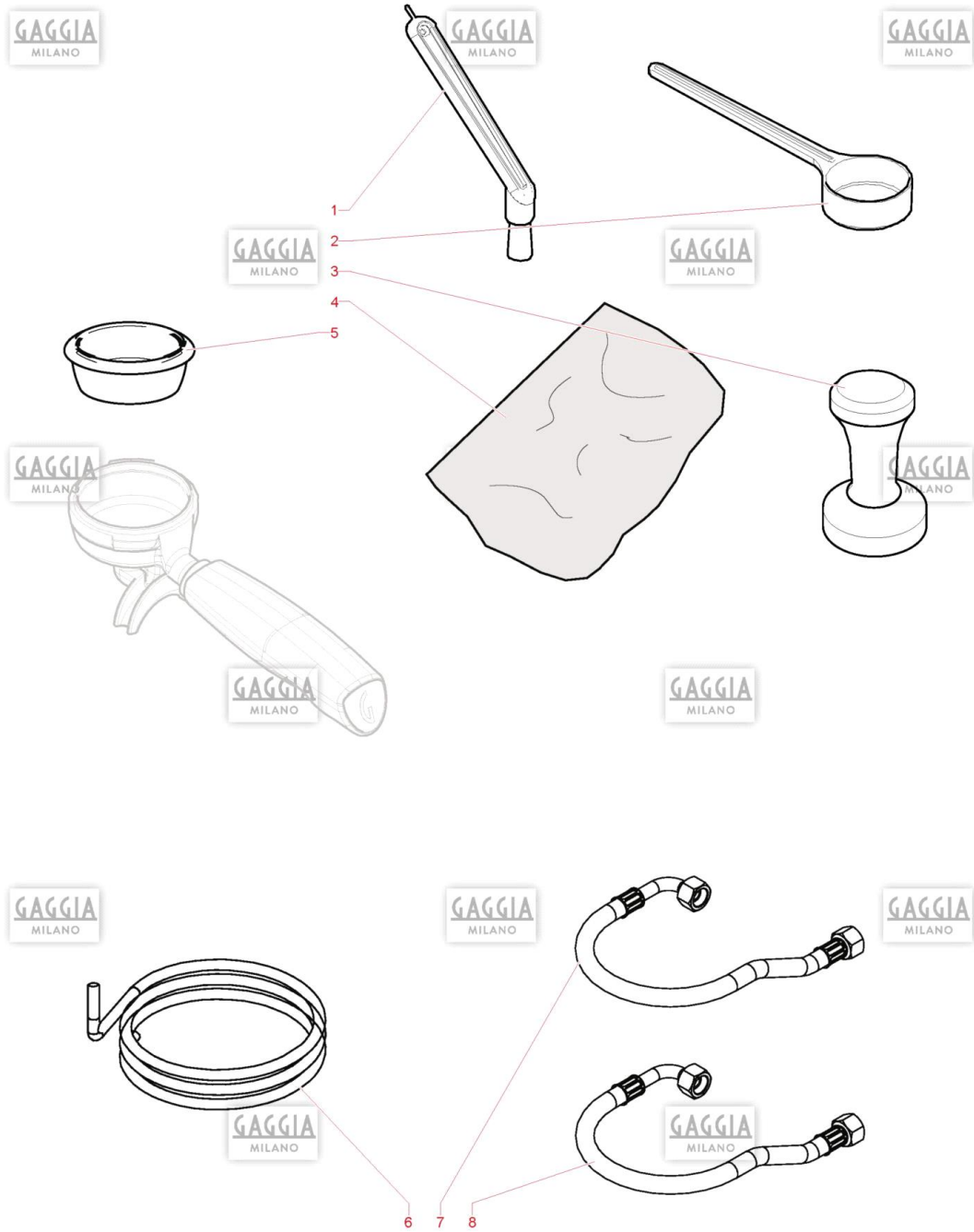
Pos.	Item	Repl. by	Description	Notes	Price (USD)
0001	264489		HOSE xTCI-PR INF/SC NC 25028	2 GR UL	
0002	264475		TUBE CU 8 xTCI-PR 2G EXCHANGE	2 GR UL	
0003	264472		TUBE CU 8 xTCI-PR 2/3G CALaV	2 GR UL	
0004	264484		XTCI-PR CALD TUBE at MASS NC	2 GR UL	
0005	264483		XTCI-PR RacT MASaSCA NC HOSE	2 GR UL	
0006	264485		XTCI TUBE FROM CALDaVASCH NC 2	2 GR UL	
0007	264473		TUBE CU 8 xTCI-PR 2G CALaVAP	2 GR UL	
0008	264502		FLEX HOSE L = 150 -NSF-	2 GR UL	
0009	262110		EXPANSION VALVE		
0010	264500		FLEX HOSE L = 60 -NSF-	2 GR UL	
0011	264479		TUBE NC 2503896 xTCI-PR SCAM	2 GR UL	
0012	264482		XTCI-PR-PP MASaC/VOL NC HOSE	2 GR UL	
0013	264476		TUBE CU 6 xTCI-PR 2G RAC "T" M	2 GR UL	
0014	264474		TUBE CU 8 xTCI-PR 2G daEVaLa	2 GR UL	
0015	264477		TUBE CU 8 xTCI-PR 2G C/VOL1	2 GR UL	
0016	264478		TUBE CU 8 xTCI-PR 2G C/VOL2	2 GR UL	
0017	264481		HOSE NC 2502871 xTCI-PR GRP /	2 GR UL	
0018	264480		TUBE NC 2503895 xTCI-PR SCAM	2 GR UL	
0019	264488		HOSE xTCI-PR GR/INF NC 25028	2 GR UL	
0020	262114		6X9 SILICONE HOSE -PER METER-		



Pos.	Item	Repl. by	Description	Notes	Price (USD)
0001	262124		NIPPLE FILTER		
0002	262098		REDUCTION ES14 1/4-1/8 M-M CONICAL		
0003	264495		SOLENOID 2WAY 220V 1/8 UL	2 GR UL	
0004	262089		T-SHAPED FITTING 1/8 F-F-M		
0005	262072		STEAM TAP BRACKET		
0006	262085		L-SHAPED FITTING 3/8 F-M		
0007	262109		CHECK VALVE		
0008	262091		T-SHAPED FITTING 3/8 F-F-M		
0009	262084		MINI BALL TAP 1/4 M-F		
0010	262123		PRESSURE REDUCER 3/8G		
0011	262094		CONICAL NIPPLE 1/4 M-M		
0012	262093		STRAIGHT FITTING 8-6 1/4 F		
0013	262141		VOL. COUNTER FM/C/L NICKEL		
0014	262202		WATER/STEAM TAP		
0015	263289		1/4-1/4 M-M REDUCTION		
0016	262222		DISTRIBUTOR HARDWOOD KIT		
0017	262109		CHECK VALVE		
0018	262076		LEVER DEVICE FOR STEAM TAP		
0019	262203		TAP ROD SEAL		
0020	262204		TAP BODY SEAL		
0021	262205		OR SEAL		
0022	262357		L-SHAPED FITTING 1/4 F-M		
0023	262094		CONICAL NIPPLE 1/4 M-M		
0024	262088		L-SHAPED FITTING 1/4 M-M		
0025	263290		2-WAY SOL. VALVE MOT. PROP. 24VDC NC 1/8		
0026	262094		CONICAL NIPPLE 1/4 M-M		
0027	262356		2-WAY SOL. VALVE NOR. CLOSED 1/4 11W 24V		
0028	262095		CYLINDRICAL NIPPLE 3/8M-M		
0029	262508		REDUCER FITTING		
0030	262509		REDUCER FITTING		
0031	262100		REDUCTION 1/4-1/8 F-M		
0032	262098		REDUCTION ES14 1/4-1/8 M-M CONICAL		
0033	262105		CAP 3/8 F		
0034	262136		2-WAY SOL. VALVE MULTITENS. Ø1.5 BAS		
0035	263777		HARDWOOD ASSEMBLY -DFC VERS. -		



Pos.	Item	Repl. by	Description	Notes	Price (USD)
0001	262142		KEY CONN. WIRE BT L= 1100 6V CLOCK		
0002	262140		POW.SUP.110W CONT.UNIT 2/3G.		
0003	262138		EXPANS.CON.UNIT 2/3G.		
0004	262133		RELAY ST 50A LOW TENS RM1A60D50		
0005	262147	262319	LED SPOTLIGHT 5000 K		
0006	262143		KEY CONN. WIRE BT L= 1100 4V M/I F1		
0007	262154		SPOTLIGHT WIRING LED 12V	2 GR	
0008	262139		CONTROL UNIT 2/3G.		
0009	262134		THERMOSTAT DPL MR TF 155C		
0010	262153		LED STRIP WIRING 12V - C.NOVA		
0011	262148		12V-230V-UL LED POWER SUPPLY		
0012	264493		PWR. 20W 12VDC IP67 UL	2 GR UL	
0013	264492		SOOW POWER CABLE 3X8AWG220 1,5	2 GR UL	
0014	264503		CABLE GLAND BLACK M32x1,5 UL -	2 GR UL	
0015	262132		RED SWITCH Q 0-I (PROT)		
0016	262152		WIRING PUL-ELE 2GR LAVIT	2 GR	
0017	262144		PROBE WIRE L.1200 XTCI (TERMOPID)		
0018	262145		WIRE+ CUF VOL.DOS. L.1115	2 GR	
0019	264498		CONTACTOR 4P NO 25A AC1 230		
0020	262180		PCB FOR MOTORIZED SOL.VAL.		



Pos.	Item	Repl. by	Description	Notes	Price (USD)
0001	262217		BRUSH		
0002	262215		STEEL MEASURING CUP		
0003	262216		PROFESSIONAL TAMPER		
0004	262214		CLOTH		
0005	262221		BLIND FILTER		
0006	262218		REINFORCED DISCHARGE HOSE D.14		
0007	264501		FLEX HOSE L = 80 -NSF-	2 GR UL	
0008	264502		FLEX HOSE L = 150 -NSF-	2 GR UL	