



Total 1

QUICK INSTALLATION GUIDE



Installation &
Service Manual

Available by scanning this
QR code.

Images may vary from the actual product.

Table of Contents

1	SAFETY INSTRUCTIONS	2
1.1	Food-Contact Parts	2
1.2	Warnings.....	2
1.3	Power Supply	2
1.4	Disconnect the Equipment if:	2
2	BREWER SPECIFICATIONS	3
2.1	Dimensions and Clearances.....	3
2.2	Technical Specifications	3
3	INITIAL SETUP	4
3.1	On-Site Installation Requirements.....	4
3.2	Chute Hole Cutting (Optional).....	4
3.3	Unpacking	5
3.4	Leveling the Equipment.....	5
3.5	Hot Water Tank Preparation	6
3.6	Bean Hopper Installation	7
3.7	Water Line Connection.....	7
3.8	Electrical Connection	8
3.9	Overflow Tray and Drip Tray Installation	8
3.10	Loading Products.....	9
3.11	Chute Kit Installation (Optional).....	9
3.12	Filter Paper Installation	10
3.13	Installation Verification	10

LEGEND

This symbol is used to highlight a key step to anticipate a risk for safety or a risk of damaging the equipment.



This symbol is used to indicate additional information or a quick tip.

1 SAFETY INSTRUCTIONS

Basic safety precautions should always be followed when using electrical appliances. Read all instructions before using this brewing equipment.

1.1 Food-Contact Parts

Evoca North America recommends to clean and sanitize all parts in contact with food prior to installation and use.

1.2 Warnings

To minimize the risk of fire or electric shock, do not expose this equipment to rain or moisture.

Do not immerse this equipment in water; it could lead to electric shock or other malfunctions.

Do not use this equipment other than for its intended use.

This equipment contains hot water. Never move it when full.

This brewing equipment is intended for indoor use only.

1.3 Power Supply

Always use a grounded 120VAC 60Hz socket outlet rated for 15A service.

Each brewing equipment must have its own electrical outlet, on a dedicated circuit.

Extension cords must not be used.

This brewer is equipped with a polarized alternating current line plug (one blade wider than the other).

Only use this plug with an outlet in which the prongs can be fully inserted.

1.4 Disconnect the equipment if:

- Damage is done to the power cord.
- The equipment does not work properly.
- The temperature of the power cord or plug increases dramatically during use.
- Unusual conditions occur.
- Whenever a part has to be changed, plugged or unplugged.

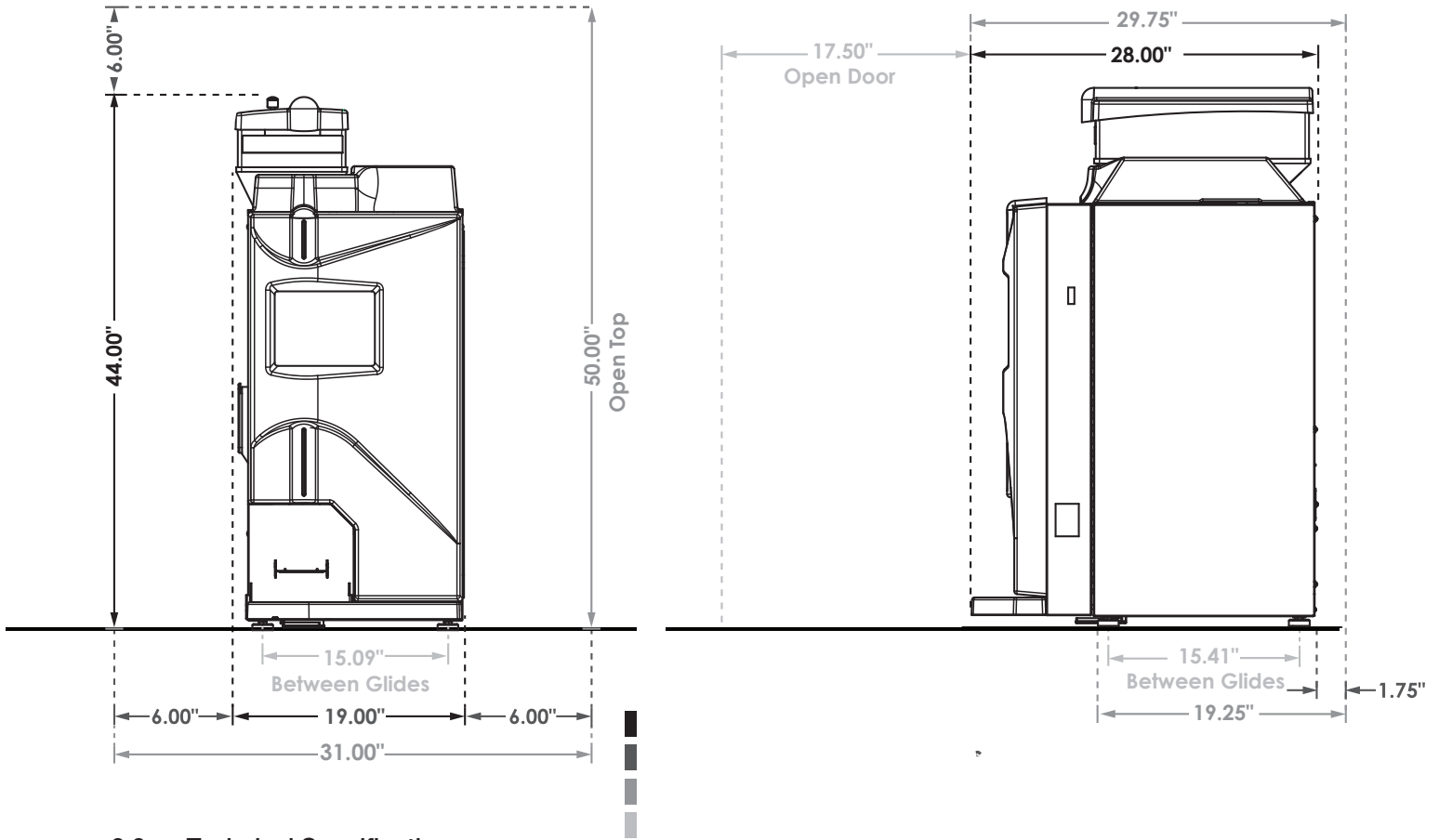


FAILURE TO COMPLY CAN CAUSE EQUIPMENT DAMAGE, FIRE OR SERIOUS INJURIES.

THE INSTALLATION PROCEDURE OF THIS GUIDE MUST BE COMPLETED BEFORE PLUGGING IN THE BREWER.

2 BREWER SPECIFICATIONS

2.1 Dimensions and clearances



2.2 Technical Specifications

3.2.1 Hopper & Canister Capacities

Whole Bean Hoppers

Left Section	4.0 lb (1.8 kg)
Middle Section	2.0 lb (0.9 kg)
Right Section	4.0 lb (1.8 kg)
Soluble Milk	1.4 lb (0.6 kg)
Soluble Chocolate.....	5.5 lb (2.5 kg)
Soluble Vanilla.....	5.5 lb (2.5 kg)

3.2.2 Water Tank

Capacity	0.8 gallons (3.0 L)
Water valves	5 (1 block of 2 valves and 1 bloc of 3 valves)
Heating element.....	1250 watts

3.2.3 Electrical Specifications (Brewer Consumption)

120 V AC / 60 Hz - 12 A
1440 W

3.2.4 Weight

145 lb (65.8 kg)

3 INITIAL SETUP

Before installing the brewer at the desired location, it is strongly suggested to unpack, inspect and perform a bench test of the machine at the warehouse.

3.1 On-Site Installation Requirements

3.1.1 Operating Environment

Equipment is for indoor use only.

3.1.2 Power Supply

Make sure each unit has its own electrical circuit and is located within six (6) feet of the dedicated electrical outlet.

Use only a polarized grounded receptacle.

Domestic 120 V AC / 60Hz - 15A circuit. NEMA 5-15 outlet.



3.1.3 Water Supply

Use a plastic 1/4" or 3/8" (outside diameter) dedicated line branched off a larger line.

An easily accessible shut off valve upstream of the unit is highly recommended for ease of installation. Make sure that your installation complies with your federal, state, provincial and/or municipal codes. Cold tap water pressure should be at least 20 psi and no more than 80 psi.



DO NOT USE DISTILLED WATER.

3.1.4 Tools Required

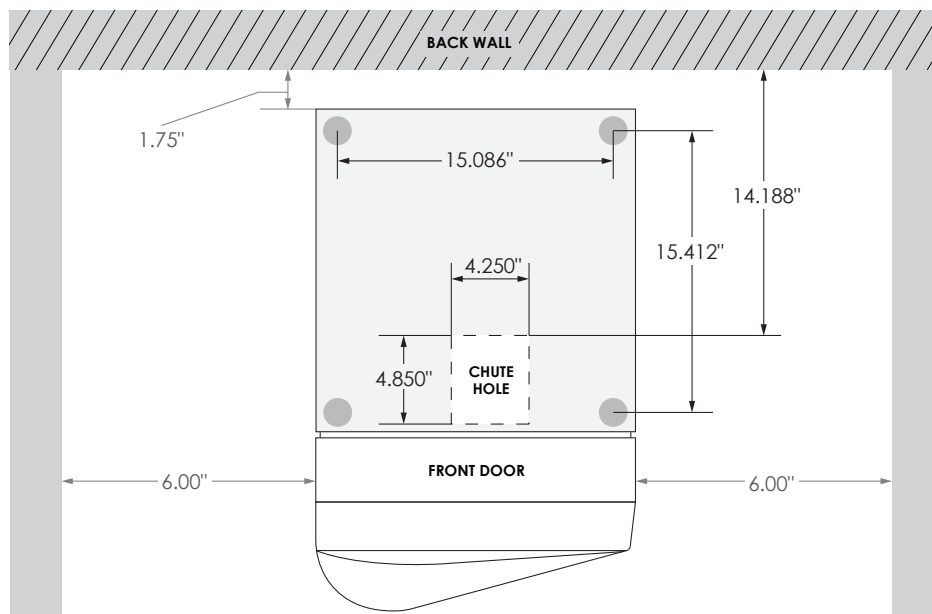
- #2 Phillips screwdriver
- Regular medium pliers
- Adjustable wrench
- Level indicator



Other tools may be required depending on the type of water supply tubing and location.

3.2 Chute Hole Cutting (optional)

If the machine needs to be installed with a chute kit, refer to the chute hole positioning plan below to cut the counter. Cut the hole in the counter top prior to installing the machine on it.



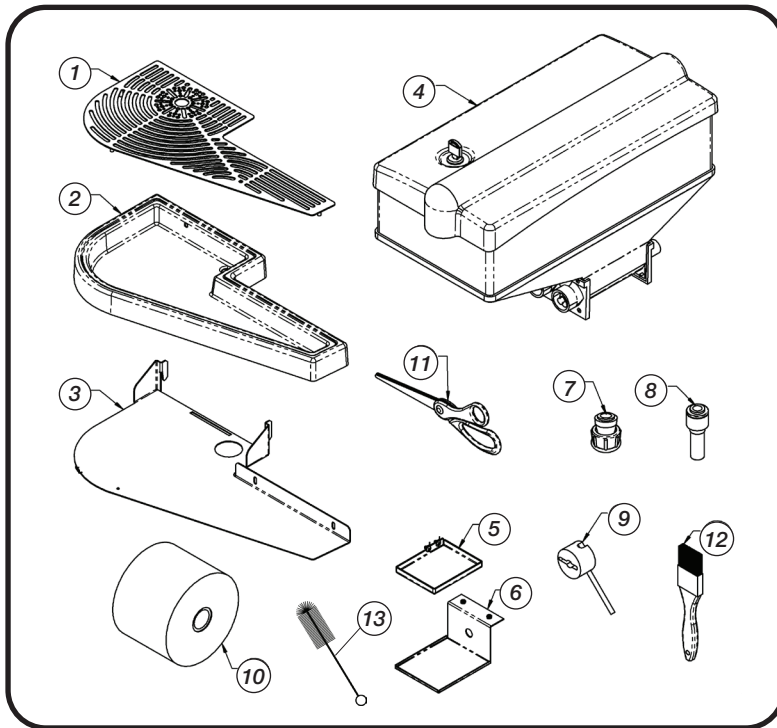
"HOLE EDGES SHOULD BE SEALED WITH SILICONE OR AN APPROPRIATE SEALANT FOR PROTECTION AGAINST WATER DAMAGE"

3.3 Unpacking

Each brewing equipment kit should include the following boxes: one (1) box for the brewer which holds one (1) box for the hopper and accessories. Small accessories are in the internal waste bin, inside the machine.

To remove the unit from the box, carefully cut the straps holding the box in place on the skid. Open the top of the box. Take the accessories box out and remove the unit box by lifting it. Inspect the unit to see if any damage has occurred during shipment.

The parts and accessories that are shipped separately need to be installed on the equipment. Here is a list of all accessories and their location when packed.

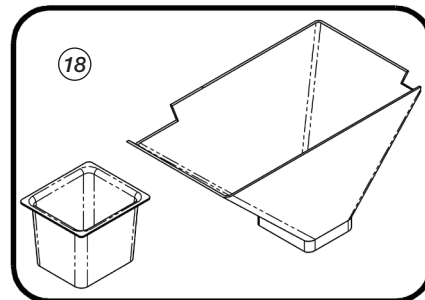


In the accessories box:

1. Drip Tray Grill
2. Plastic Drip Tray
3. Metal Drip Tray Support
4. Bean Hopper

In the internal waste bin:

5. Overflow Tray
6. Overflow Tray Support
7. 3/8" Inlet Fitting
8. 3/8" to 1/4" Inlet Fitting
9. Brew Group Turning Tool
10. Filter Paper
11. Scissors
12. Brush
13. Chute Cleaning Brush
14. Waste Bin
15. Microfiber Cloth
16. Mark Sheet (to keep track of the tests)
17. Maintenance Schedule



In an individual box:

18. Optional Plastic Chute Kit



One of the machine keys is attached to the power cord at the back of the machine. A second key is taped on the filter paper roll, located in the internal waste bin.

3.4 Leveling the Equipment

For optimal performance of the equipment, it is important to ensure that it is leveled. Avoiding to do so can create variations in product delivery.

1. Place a level on the top of the equipment.
2. Adjust the four (4) threaded level legs of the equipment to reach a leveled position.

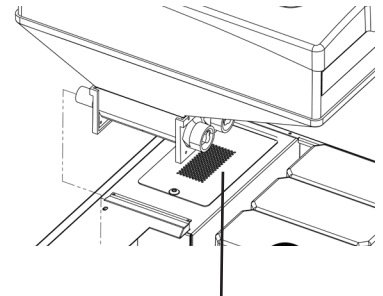
3.5 Hot Water Tank Preparation



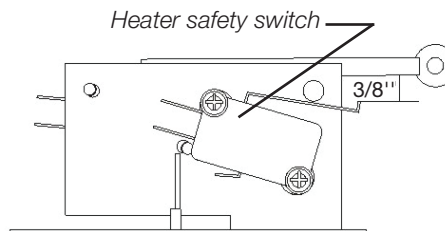
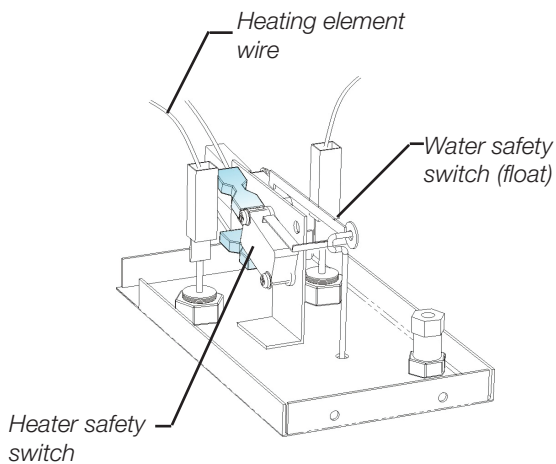
MAKE SURE EQUIPMENT IS UNPLUGGED!

3.5.1 Tank Lid Preparation

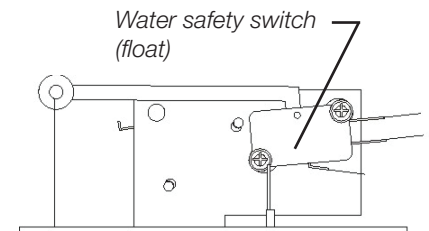
1. The water tank can be accessed by removing either the water tank access door or the back panel.
2. Locate the water tank and remove the twist tie securing the float of the water tank.
3. Remove the silicone tubing from the heating element.
4. Connect the white wire to the prong on the heating element.
5. Reinstall the access panel.



Water tank access door
(under the plastic top)



Left side view

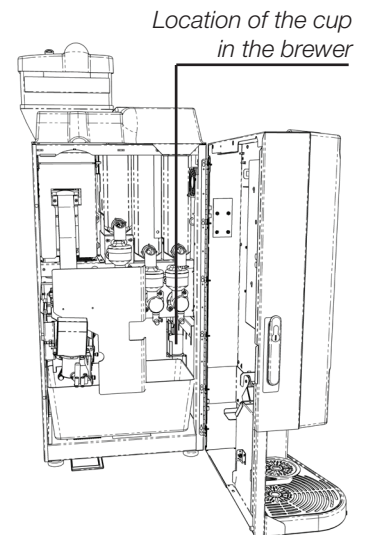


Right side view

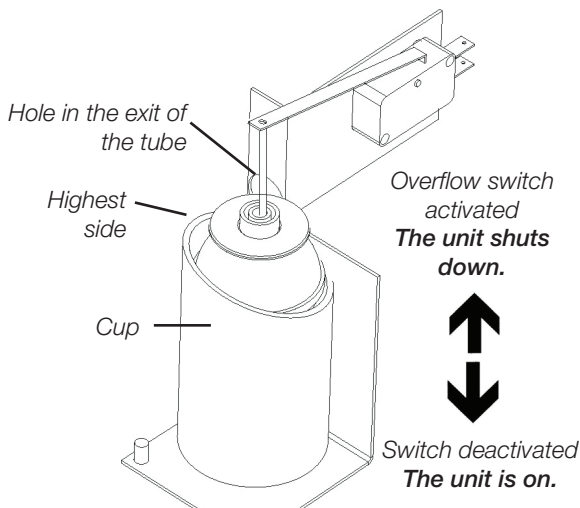
3.5.2 Adjusting the Overflow Float

The overflow cup is a safety feature. If the water tank overflows, the extra water will leak in the pipe down to the overflow cup. If there is too much water, the float will go up and activate the switch. The machine will then stop automatically.

It is important to verify that the float is positioned properly in the overflow cup because it can move around in transportation. If the float is not properly in place, the switch will be activated and the unit will automatically shut down sensing an overflow situation.



Location of the cup
in the brewer



It is important to verify that the overflow cup is in place with the highest side facing the front and well secured with the green tape. If the cup needs to be removed, make sure that it is replaced with the highest side facing the front and the overflow tube in the cup. Fasten it in place with tape. This will ensure the float works properly and activates the overflow switch if a problem occurs.

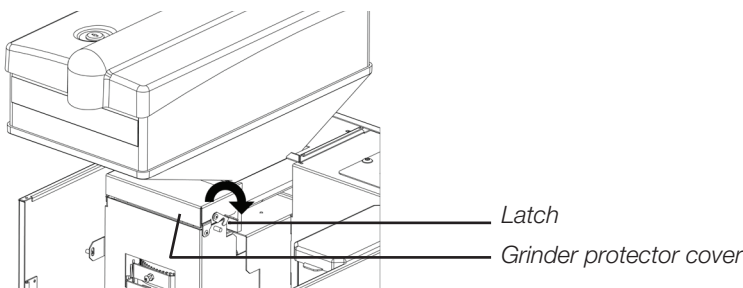
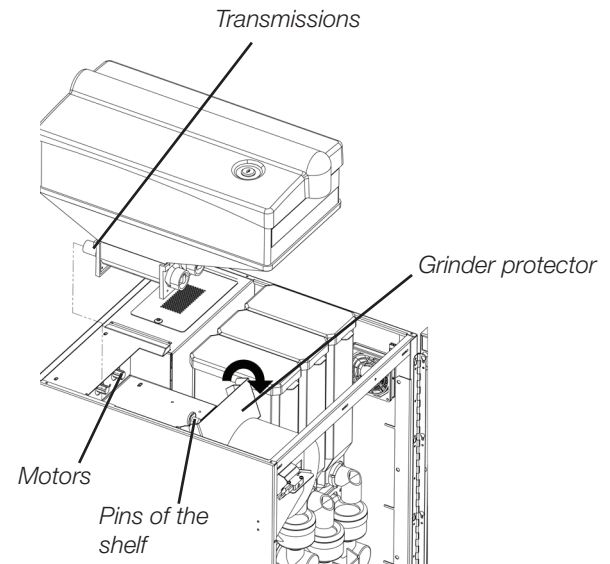
3.6 Bean Hopper Installation

Unpack the bean hopper.

Unlock the grinder protector and flip it open. The left soluble canister might need to be removed to access the latch.

Install the hopper on the shelf by aligning the transmissions with the three (3) motors already fixed on the shelf and the two (2) pins on the other side of the shelf.

Push backward to fix the hopper in place. Flip the grinder protector back and lock it using the latch.



3.7 Water Line Connection



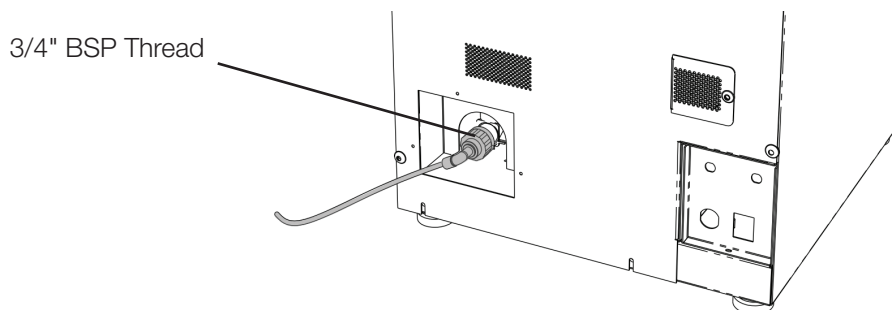
THIS EQUIPMENT MUST BE INSTALLED IN COMPLIANCE WITH APPLICABLE FEDERAL, STATE, PROVINCIAL AND/OR MUNICIPAL PLUMBING CODES HAVING JURISDICTION.

MAKE SURE THAT THE EQUIPMENT IS UNPLUGGED BEFORE PROCEEDING WITH THE WATER SUPPLY INSTALLATION. ALSO VERIFY THAT THE INCOMING WATER PRESSURE IS GREATER THAN 20 PSI AND NO MORE THAN 80 PSI.

1. **Prior to installing the equipment, flush out the water line by running approximately 1 gallon of water into a pail.** This will ensure no sediment from a new installation gets in the equipment.
2. The incoming water supply must have a shut-off valve connected in-line. Water supply should be a plastic 1/4" or 3/8" outside diameter dedicated line branched off a larger supply line.
3. **Make sure the water source is turned off.** Firmly secure the inlet fitting onto the inlet valve. **Do not overtighten.**
4. **Make sure the equipment is unplugged.** Connect the water line to the quick connect inlet fitting.
5. Turn the water valve on, sending water to the brewer. If there are any leaks, tighten connections to stop leakage.



This procedure does not take into consideration the installation of a water filtration system. Please refer to the water filter manufacturer installation instructions and incorporate them into the above procedures.



3.8 Electrical Connection

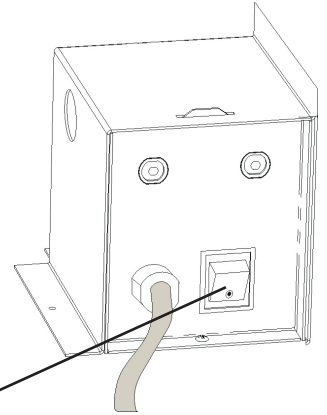


THIS EQUIPMENT MUST BE INSTALLED IN COMPLIANCE WITH APPLICABLE FEDERAL, STATE, PROVINCIAL AND/OR MUNICIPAL ELECTRICAL CODES HAVING JURISDICTION.

MAKE SURE:

- The equipment is OFF before plugging it in.
- The equipment has its own electrical outlet.
- NO extension cord is used.

1. Make sure the power switch at the back of the unit is in the OFF position before plugging in the unit into its own grounded electrical outlet.
2. Access the back of the brewer and toggle the power switch to the ON position. Water will automatically enter the brewer. The filling cycle should take a maximum of 2 to 3 minutes.
3. Once the tank is full, water will take 10-20 minutes to heat to brewing temperature.
4. Once the coffee machine is ready, the selection screen will appear.

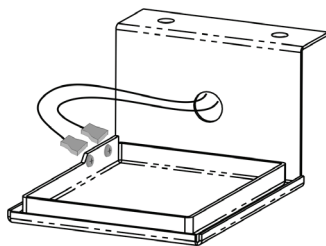


ALWAYS UNPLUG THE MAIN POWER CORD FROM THE POWER OUTLET (AC LINE VOLTAGE) WHEN SERVICING ANY ELECTRICAL COMPONENT ON THE EQUIPMENT.

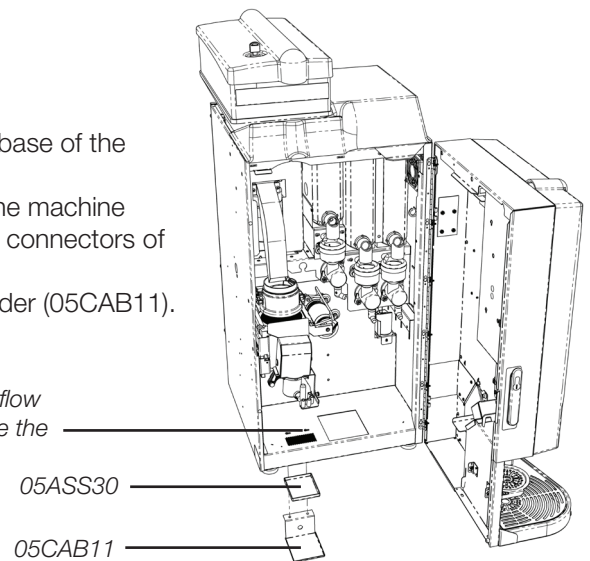
3.9 Overflow Tray and Drip Tray Installation

3.9.1 Overflow Tray Installation

1. Screw the overflow tray holder (05CAB11) under the base of the brewer using the two (2) screws included.
2. Take out the two (2) water probe wires found inside the machine using the chute hole and connect them to the two (2) connectors of the overflow tray (05ASS30).
3. Put the connected overflow tray (05ASS30) on its holder (05CAB11).

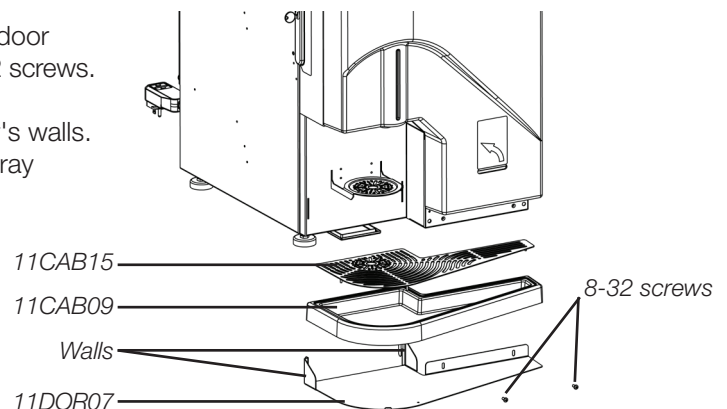


Install the overflow tray from inside the equipment



3.9.2 Drip Tray Installation

1. Insert the drip tray holder (11DOR07) in the door and screw it to the door with the two (2) 8-32 screws.
2. Set the drip tray (11CAB09) on the holder (11DOR07) and adjust it between the holder's walls.
3. Install the metal grill (11CAB15) on the drip tray (11CAB09).



3.10 Loading Products

3.10.1 Soluble Canisters

1. Open the brewer's door.
2. Remove the plastic top cap.
3. Remove the lid of the canister needing a refill.
4. **Do not overfill the canisters.**

3.10.2 Bean Hopper

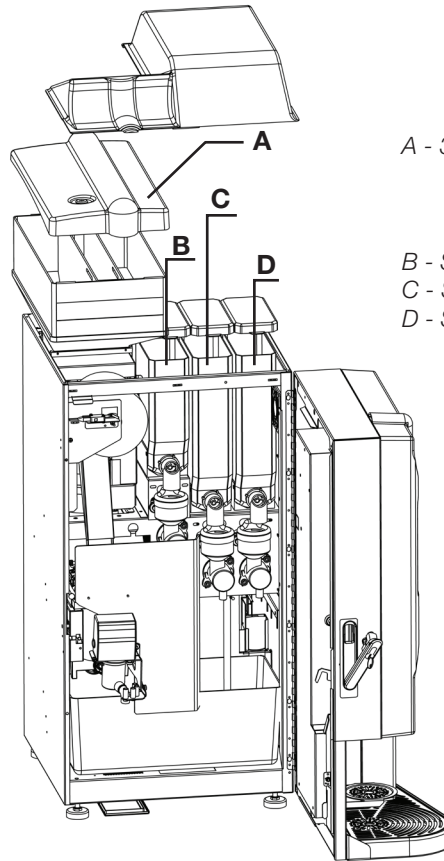
Unlock and remove the cover of bean the hopper.

Do not overfill the three (3) sections of the hopper.

Using a step stool will facilitate the filling of each section of the hopper.



Removing only one lid at a time reduces the risk of cross contamination.



- A - 3 Whole Bean Coffees
 - Coffee 1
 - Coffee 2
 - Coffee 3
- B - Soluble (Milk Powder)
- C - Soluble (Hot Chocolate)
- D - Soluble (French Vanilla)



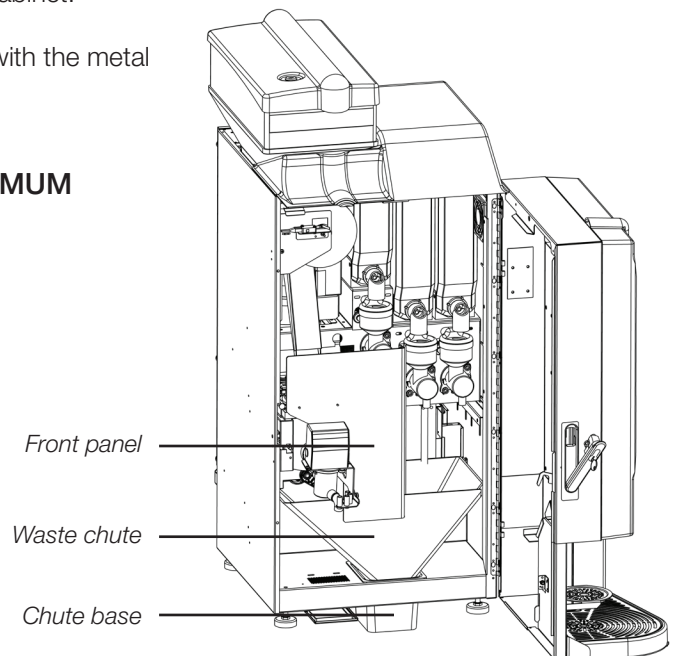
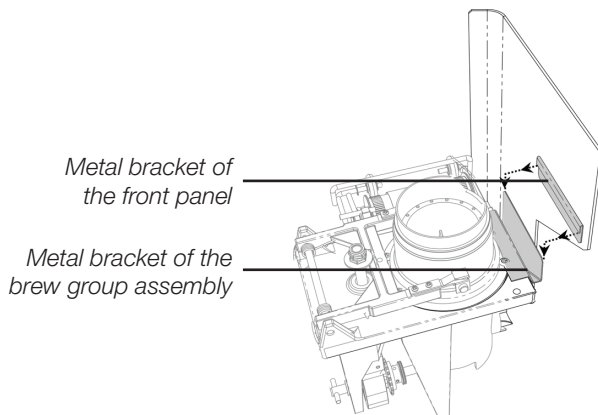
FLAVORED COFFEE BEANS CAN CONTAIN ETHYL ALCOHOL THAT COULD AFFECT THE BEAN HOPPER'S LONGEVITY. EVOCA NORTH AMERICA DO NOT RECOMMEND USING FLAVORED BEANS.

3.11 Chute Kit Installation (Optional)

1. Open the brewer's door.
2. Insert the chute base inside the chute hole of the cabinet.
3. Insert the waste chute into the chute base.
4. Install the front panel by aligning its metal bracket with the metal bracket fixed on the brew group assembly.



THE INTERNAL WASTE BIN HAS A MAXIMUM CAPACITY OF 80 COFFEE CUPS.



3.12 Filter Paper Installation



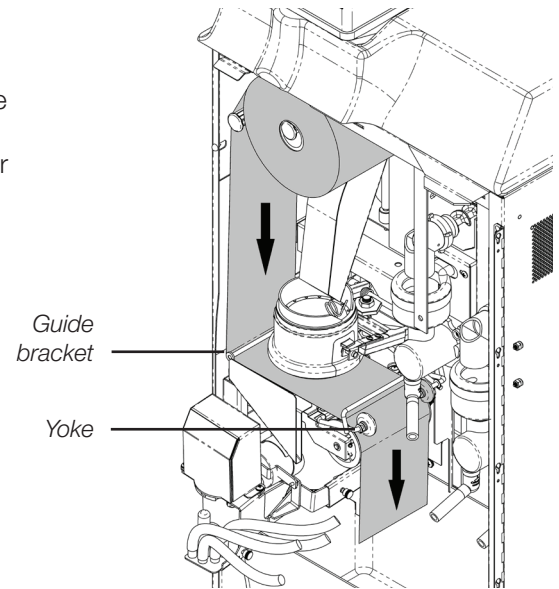
MAKE SURE THE BREWER IS ON.

1. Place the filter paper roll on the bracket so it dispenses on the left hand side (see the diagram on the right).
2. Access Service mode (see section 5.2), press the "Install Filter Paper" button and follow the instructions on the screen.



The brew chamber will not lift up if the switch does not detect any filter paper.

3. Pass the filter paper under the left guide bracket of the brew group, under the brew chamber and under the wheel guides by gently lifting them using the yoke.
4. Pull on the paper and carry it through the chute hole (if applicable) and into the waste bin.
5. Make sure the paper is feeding straight and stays within the guide bracket.



IMPROPER FILTER PAPER FEEDING WILL CAUSE A VACUUM LEAK AND MAY CAUSE GROUNDING TO SPILL INSIDE THE EQUIPMENT.

3.13 Installation Verification

It is important to perform several brew cycles on the equipment before completing the installation. At least two (2) cups of each product selection should be ordered to ensure that the brewer is operating as per the specifications laid out in this manual. During this process, review the following checklist as a reminder.

Make sure that the brewer is clean, safe and functioning once it is ready to be left on-site.

What to verify

<input checked="" type="checkbox"/>	Inlet valve is free of leaks.	Verify that it is secured and not overtightened.
<input checked="" type="checkbox"/>	Brew chamber is empty of coffee.	Verify that the unit is leveled.
<input checked="" type="checkbox"/>	Filter paper feeds without resistance and goes straight into the waste bin.	Verify that the chute is properly installed. Repeat the installation procedure, if needed.
<input checked="" type="checkbox"/>	Soluble mixing bowl is free of leaks.	Verify that it is installed straight and that the tube is secured.
<input checked="" type="checkbox"/>	Water temperature is acceptable.	Verify water temperature.
<input checked="" type="checkbox"/>	Products are loaded.	Load products.
<input checked="" type="checkbox"/>	Brewer and area are clean and tidy.	Clean and tidy up.