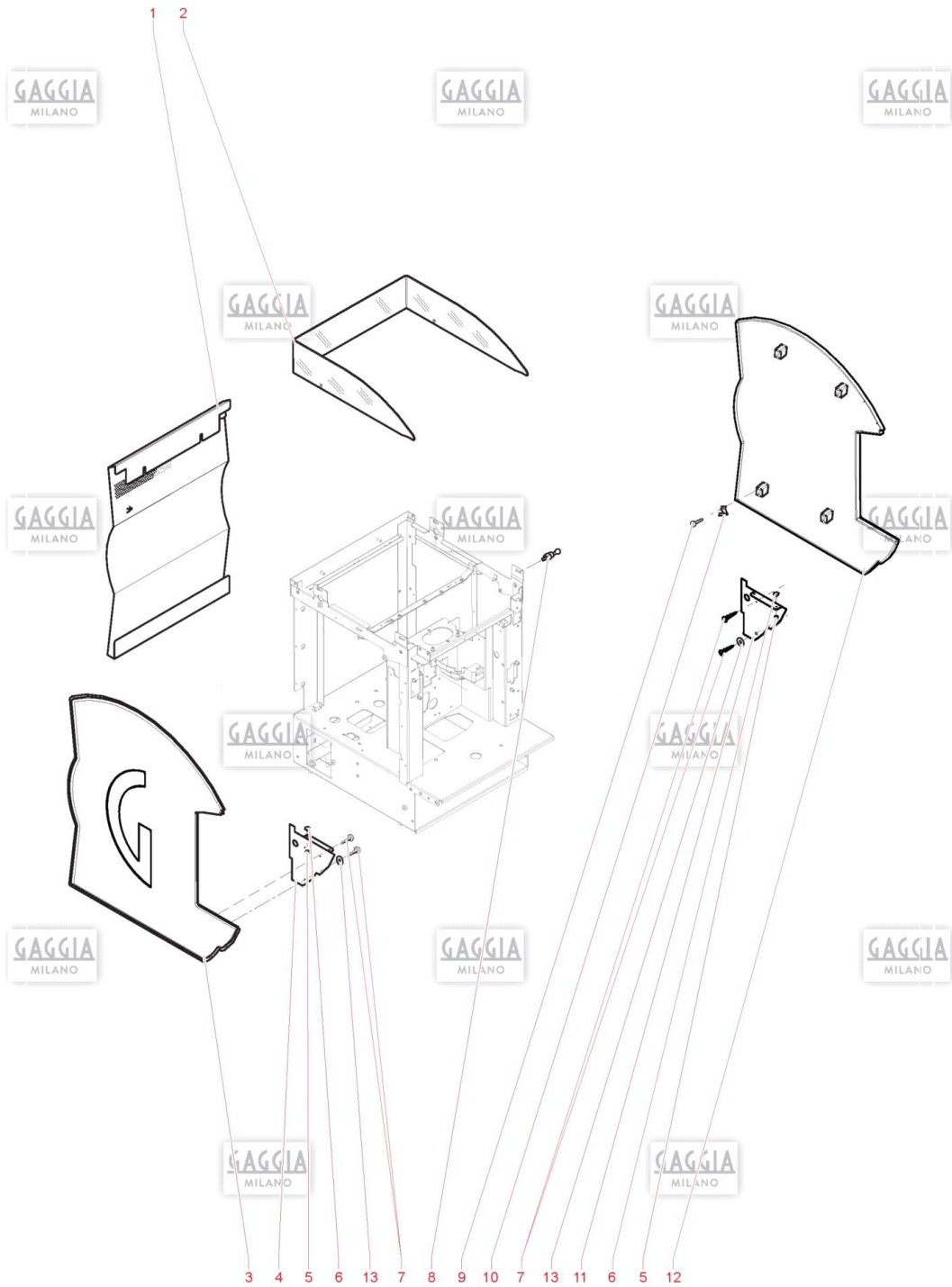


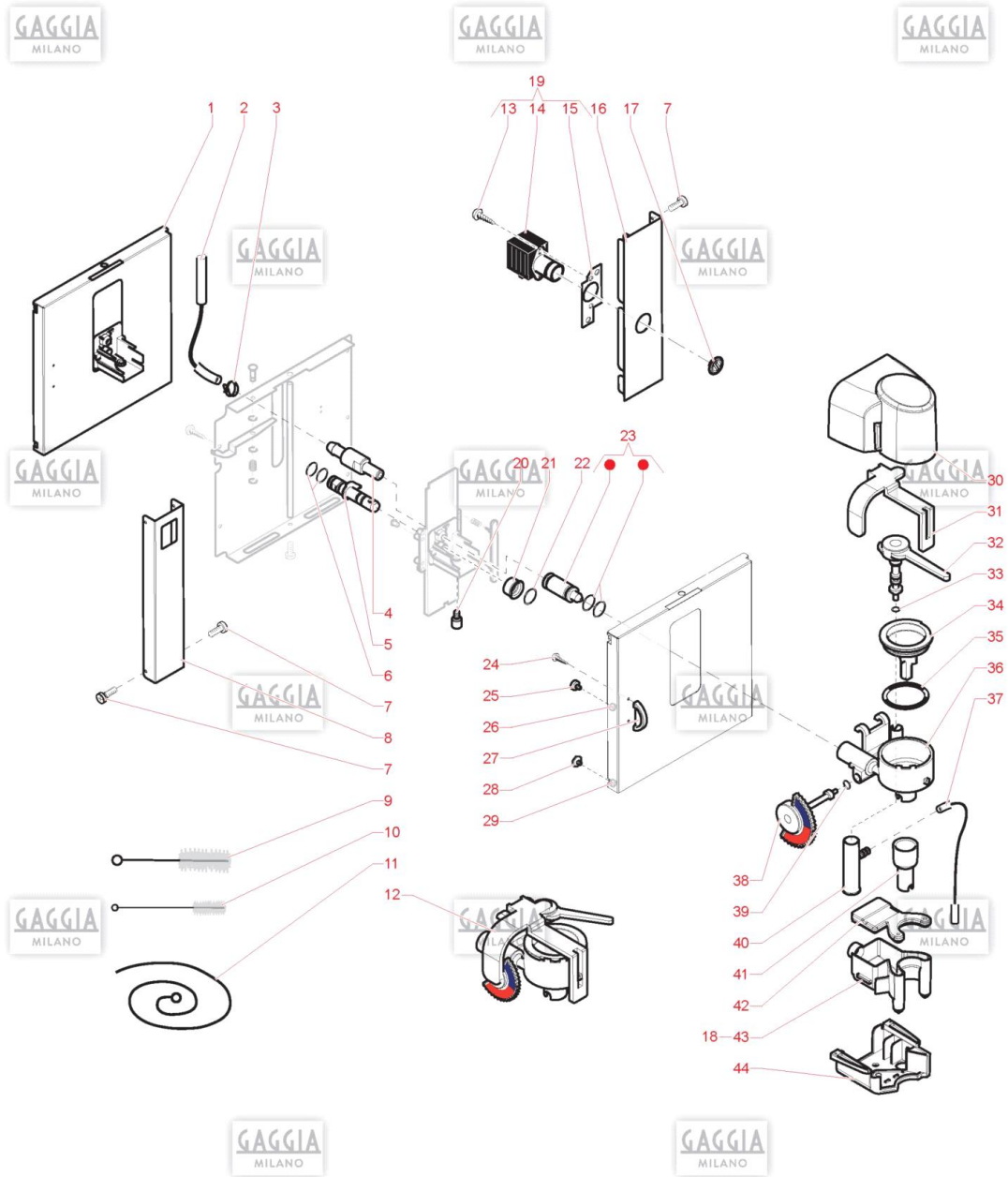
Pos.	Item	Repl. by	Description	Notes	Price (USD)
0001	DM1210		PIPE-1500 M.M.		
0002	NV99.079		PIPE WRENCH BAIL D= 23-35/9		
0003	129511903		SCREW TCB 2,9X6,4 DIN 7981 BZNICK		
0004	11009259		SENSOR DUMP BOX L.540		
0005	1034.146		DUMP BOX REED PLATE SUPPORT		
0006	11035079		REED DRAWER COFFEE GROUNDS ASS.		
0007	11035062		IDEA RST CUP WARMING TRY GRATE	CAPPUCCINO / SELF	
0008	11035070		IDEA RST GLASS GREY	TO S/N 90211RXXXXXXXXX	
0009	11034697		PANTHER REAR PANEL ASS.	TO S/N 90211RXXXXXXXXX	
0010	11000188				
0011	129824002		TCB SCREW M4X10 UNI 7687 ZNP		
0012	11035004		BLK SUPPORT FILTER CARD	CAPPUCCINO / SELF	
0013	11034699		FAN SUNON KDE1206PHV3 CABLE L.730		
0014	U109.021		screw AUT.TCB 3,5X22 DIN 7981C		
0015	12002039		SCREW TCBD TORX 20 M4X12 ZN-B		
0016	11009258		REED SENSOR 2 POLE MOLEX L.840		
0017	129823802		TCB SCREW M4X8 UNI 7687 ZNP		
0018	11007871		BASE CLOSING DOUBLE CONTAINERBLACK		
0019	11007868		LOWER PROTECTION BOILER COFFEEBLACK		
0020	U110.003		screw AUT.TCB 3,5X9,5 DIN 7981F		
0021	1034.093		FIXING CLOSING BASE		
0022	12000672		FOOT		
0023	11036256		GAGGIA LOGO AND SIDE LEFT	TO S/N 90211RXXXXXXXXX	
0024	11036357		LEFT SIDE INSIDE PANTERA	TO S/N 90211RXXXXXXXXX	
0025	1034.060		ASS.FIXING MAGNET		
0026	U302.003		GALV.NUT HEXAGONAL M4 UNI 5589ZN		
0027	11036322		LX SUPPORT WITH INSERT BLK	TO S/N 90211RXXXXXXXXX	
0028	129660902		PANELVIT TCB SCREW 3,5X12 D.7505 Z		
0029	U142.008		PANELVIT TSP 3,5X12 DIN 7505 AGAL	TO S/N 90211RXXXXXXXXX	
0030	U110.003		screw AUT.TCB 3,5X9,5 DIN 7981F		
0031	1034.091		FIXING TUBE		
0032	12002034		KNOB WITH BUSH M5		
0033	U109.021		screw AUT.TCB 3,5X22 DIN 7981C		
0034	11008123		UNLOADING COLLECTOR 2 GRIND COFFEE		
0035	123453102		GALV.SELF LOCK NUT HIGH M4 DIN982		
0036	11034698		T632 PANTHER DUMP BOX		
0037	11002574		MAGNET D.13x4 DUMP BOX		

Pos.	Item	Repl. by	Description	Notes	Price (USD)
0038	U044.013		screw TSPC M4,0X12 UNI 7688 GALV.		
0039	1037.058.050		WATER DRIP TRAY BLACK		
0040	11035077		GREY PANTHER DRAWER COFFEE GROUNDS ASS.		
0041	11007875		GRILL DOUBLE CONTAINER	DUO	
0042	11007879		TRAY ASS. UPPER DOUBLE CONTAINER BLACK	DUO	
0043	11009260		DOUBLE SENSOR COFFEE CONTAINERIDEA 2M	DUO	
0044	1034.071		REED SPACER		
0045	U110.006		screw AUT.TCB 2,9X13 DIN 7981F		
0046	1001.022.050		POWDER DOOR BLACK	CAPPUCCINO / SELF	
0047	1034.096.050		HOPPER COFFEE	CAPPUCCINO / SELF	
0048	NM02.025		OR 6162 EPDM		
0049	11034733		SILICONED TOP TANK ASS.		
0050	11035197		RST CUP WARMER HEAT ELEMENT 230V 55W	CAPPUCCINO / SELF	
0051	1034.100		SEAL FOR HEAT ELEMENT	CAPPUCCINO / SELF	
0052	U208.002		TOOTHED WASHER 3,3X5,8 UNI 3703 G	CAPPUCCINO / SELF	
0053	123160302		NUT M3 HIGH UNI 5587 GALVANIZED	CAPPUCCINO / SELF	
0054	11034554		HOPPER COFFEE	CAPPUCCINO / SELF	
0055	11034972		CUP WARMING TRAY ASS.	CAPPUCCINO / SELF	
0056	263387		HOPPER+ PLATE ASS.		
0057	11036276		GAGGIA LOGO AND SIDE RIGHT	TO S/N 90211RXXXXXXXX	
0058	11036355		RIGHT SIDE INSIDE PANTERA	TO S/N 90211RXXXXXXXX	
0059	11036216		RX SUPPORT WITH INSERT BLK	TO S/N 90211RXXXXXXXX	
0060	11007873		ROOF CLOSING DOUBLE CONTAINERBLACK	DUO	
0061	11034633		ROOF CLOSING BLACK	CAPPUCCINO / SELF	
0062	U207.002		PLAIN WASHER 4,3X9 UNI 6592 GAL		
0063	11009557		GRATE		
0064	NF14.004		OTECO PLATE NPL 0113 FORM A		
0065	11011554		RIGHT SIDE IDEA SLIM		
0066	1034.054	1037.A01	TANK WATER		
0067	11011553	11011555	LEFT SIDE IDEA SLIM		
0068	11011555		TANK WATER ASSY. IDEA SLIM		
0069	1034.127.150		REED SUPPORT GREY		
0070	11009796		COFFEEGRINDER CASING GUARD BLACK RIGHT		
0071	11007877		ASS.HOPPER DOUBLE CONTAINER		
0072	U109.002		NIK.SCREW TCB 3,5X25 DIN 7981C		
0073	11008121		COFFEEGRINDER PROTECTION LEFT	CAPPUCCINO / SELF	
0074	11034717		SENSOR COFFEE CONTAINER	CAPPUCCINO / SELF	
0075	11035416		BLK DUO SUPPORT FILTER CARD	DUO	

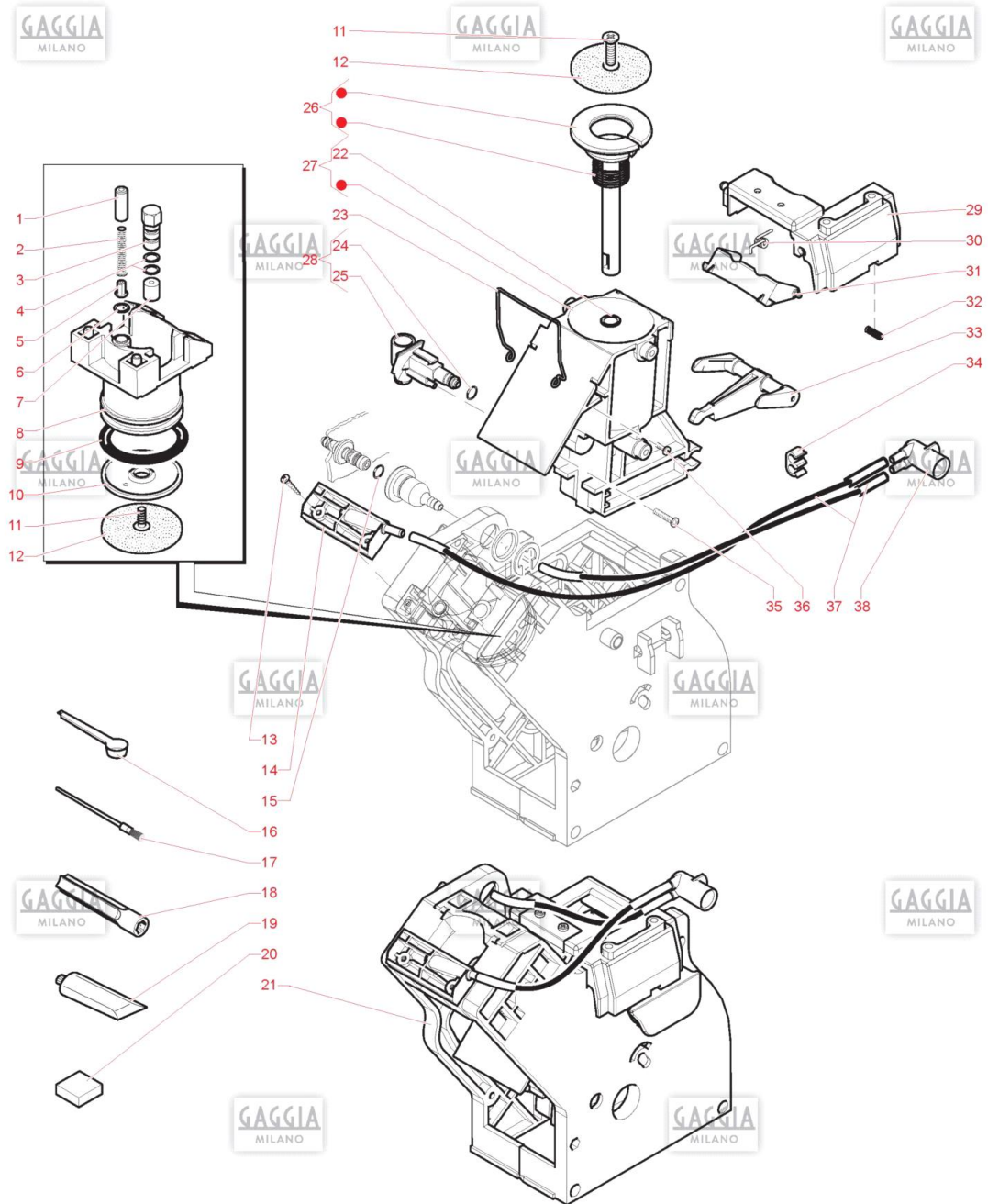
Pos.	Item	Repl. by	Description	Notes	Price (USD)
0076	11036099		CSA LEFT SIDE INSIDE	120 V NA - CSA - NSF TO S/N 9021IRXXXXXXXXXX	
0077	11036098		CSA RIGHT SIDE INSIDE	120 V NA - CSA - NSF TO S/N 9021IRXXXXXXXXXX	
0078	11036093		CSA PLATE SIZE	120 V NA - CSA - NSF TO S/N 9021IRXXXXXXXXXX	



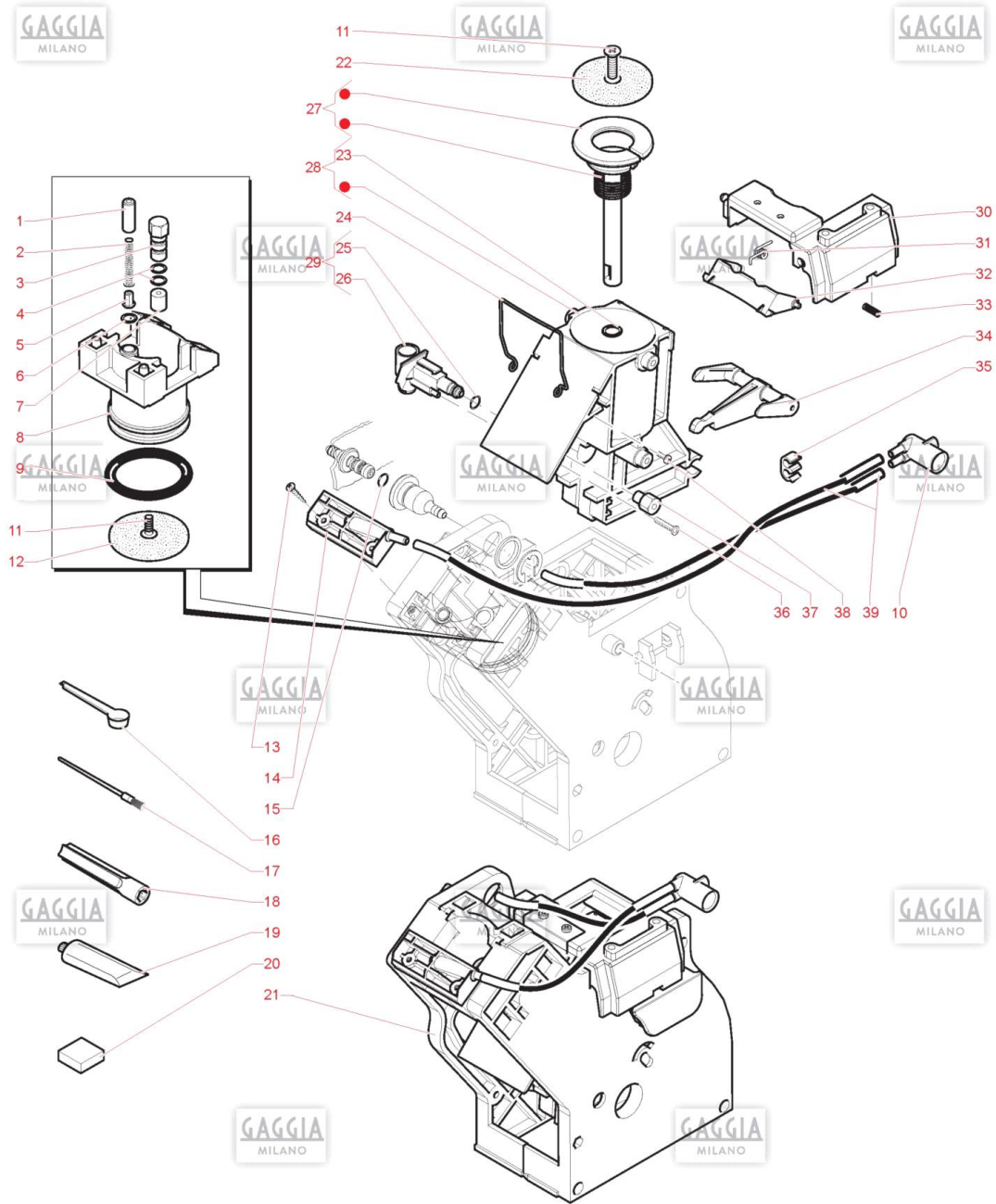
Pos.	Item	Repl. by	Description	Notes	Price (USD)
0001	264242		PANTHERA REAR PANEL ASSEMBLY	FROM S/N 90211VXX001001	
0002	264243		CUP WARMER CASE	FROM S/N 90211VXX001001	
0003	264240		LEFT CONCETTO SIDE + LOGO	FROM S/N 90211VXX001001	
0004	264236		LEFT TANK SUPPORT	FROM S/N 90211VXX001001	
0005	U302.003		GALV.NUT HEXAGONAL M4 UNI 5589ZN		
0006	1034.060		ASS.FIXING MAGNET		
0007	129670202		TCB PANELVIT SCREW 3,5X16 TESTA D= 8 ZNP	FROM S/N 90211VXX001001	
0008	NF11.099		M5 OTECO R684 MALE THREADED PIVOT	FROM S/N 90211VXX001001	
0009	U117.003		screw AUT.PT TCB 2.5X10 WN 1442	FROM S/N 90211VXX001001	
0010	NF11.098		OTECO RECEPTACLE C4413	FROM S/N 90211VXX001001	
0011	264238		RIGHT TANK SUPPORT	FROM S/N 90211VXX001001	
0012	264241		RIGHT CONCETTO SIDE + LOGO	FROM S/N 90211VXX001001	
0013	U201.005		PLAIN WASHER 4,3X12 DIN 7349 GAL	FROM S/N 90211VXX001001	



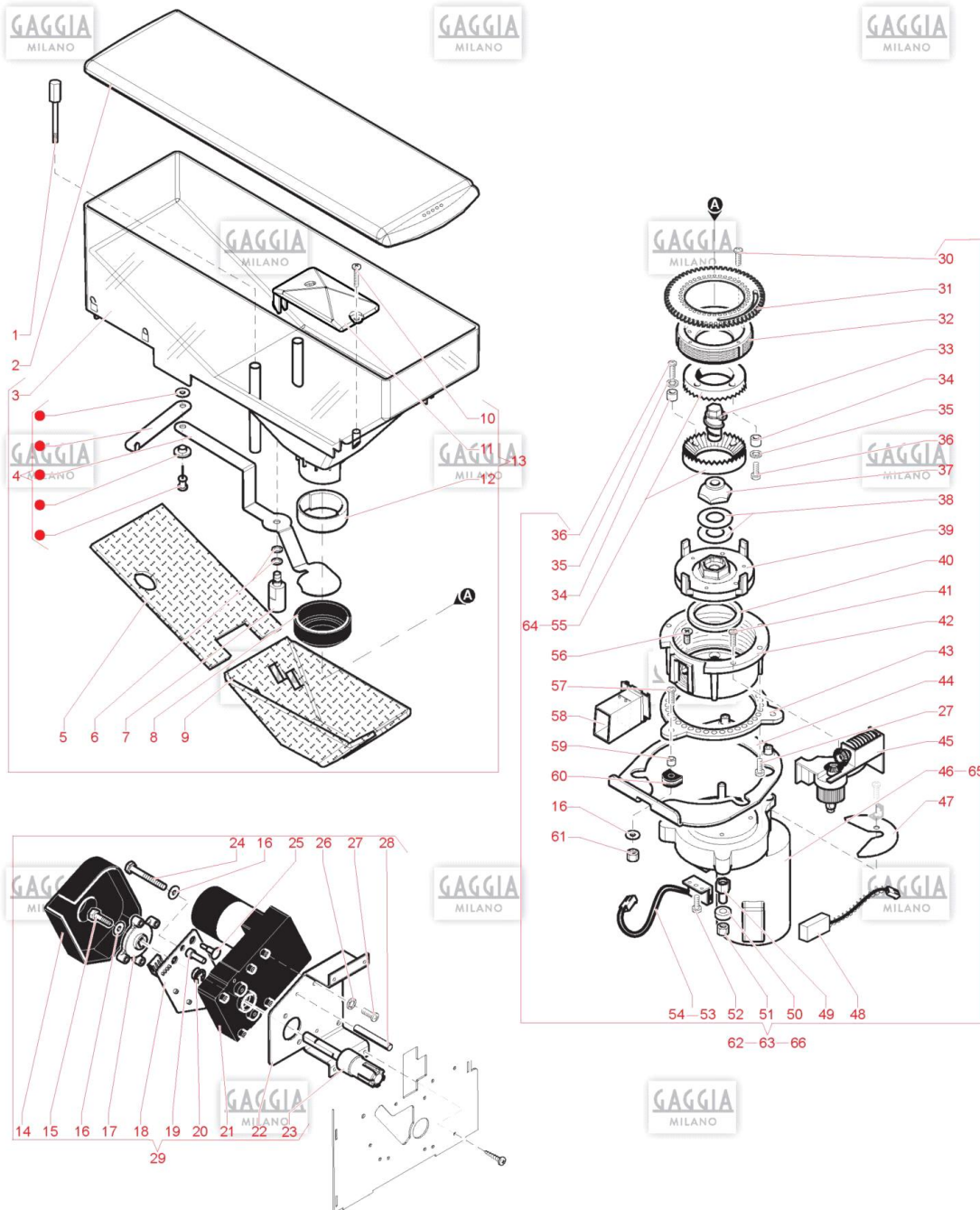
Pos.	Item	Repl. by	Description	Notes	Price (USD)
0002	9972.189	9972.246	SILICONE TUBE 5X10 L.345MM		
0003	NV99.087		BAND D= 11/11,6		
0004	1037.085		CONN.ADAPTER		
0005	1037.084.050		COFFEE PIPE		
0006	12000393		OR ORM 0073-24 SILICONE FDA		
0007	U110.004		screw AUT.TCB 3,5X6,5 DIN 7981F		
0008	1034.011		LEFT FRONT PANEL		
0009	12000431		BRUSH D.12		
0010	12000430		BRUSH D.6		
0011	1022.018		SCRAPER ASS.FOR CAPPUCCINAT. TUBE		
0012	1037.035.050		BLACK CAPPUCCINATORE ASS.		
0013	129824002		TCB SCREW M4X10 UNI 7687 ZNP		
0014	11029223		SOLENOID VALVE PINCHCOCK- TUBE		
0015	1022.007		SOLENOID VALVE PLATE		
0016	1037.065		RIGHT FRONT PANEL		
0017	11007860		CAP		
0018	11001135		DISPENSING UNIT 6 GR.	7 GR	
0019	11035034		CLAMP SOLENOID ASS.		
0020	1037.054		LOWER FIXING PIN		
0021	1037.053		SEAL PIN COFFEE		
0022	NM02.013		OR ORM 0080-15 TERMOIL		
0023	1037.082.050		TUBE ASS.		
0024	129511903		SCREW TCB 2,9X6,4 DIN 7981 BZNICK		
0025	9991.206		MAGNET D.13 H.4,5 M5 MALE		
0026	U302.003		GALV.NUT HEXAGONAL M4 UNI 5589ZN		
0027	1034.016		KNOB DOOR		
0028	1034.060		ASS.FIXING MAGNET		
0029	123160502		GALVANIZED NUT M5 HIGH UNI 5587-68		
0030	1037.059		DISPENSER COVER		
0031	1037.033.050		CLOSING CAPPUCCINATORE BLACK		
0032	1037.044.050		LEVER ASS.		
0033	NM02.035		OR ORM 0040-20 EPDM		
0034	1037.036.050		CAPPUCCINATORE CAP MODIF.		
0035	NM02.034		OR ORM 0350-20 EPDM		
0036	1037.034.050		BLACK CAPPUCCINATORE CASING		
0037	9972.096		SILICONE TUBE 3X5,5 L.2000 MM		
0038	1037.057.050		TEMPERATURE ADJUSTMENT UNIT W.BLAC		
0039	140328059		OR 2015 SILICONE PTFE/FDA		
0040	1037.051.050		CAPPUCCINATORE CONNECTOR		
0041	1037.019.050		CAPPUCCINATORE EXTENDER		
0042	1037.050.050		DISTRIBUTOR COVER		
0043	1037.001.050		DISPENSING CASING	9 GR	
0044	1037.083.050		LOWER DISPENSER COVER ASSY.		



Pos.	Item	Repl. by	Description	Notes	Price (USD)
0001	11003166		SPACE 16MM UNIT VALVE 7/9GR.		
0002	9161.222		SS.CONICAL SPRING		
0003	9161.447		PIN		
0004	NM02.006		OR R5 TERMOIL		
0005	9161.320		VALVE FOR UNIT		
0006	NM02.013		OR ORM 0080-15 TERMOIL		
0007	9161.446		SPACER		
0008	9161.241.150		COUNTERPISTON GREY FOR 9GR		
0009	NM01.065		OR ORM 0420-40 RED SILIC.FDA 65/70 SH		
0010	9161.247.150		GREY RING FOR PISTON 9GR		
0011	129852821		TSP SCREW M3X14 UNI 7688 SS		
0012	11009224		PERCOLATOR D.45		
0013	U140.017		PANELVIT TCB 3,0X20 DIN 7505 BGAL		
0014	1020.060.150		FLANGE FOR COUNTERPISTON UNIT		
0015	NM02.010	140324761	OR ORM 0050-20 TERMOIL		
0016	146680659		GREY MEASURE WITH HOLE		
0017	127390100		BRUSH FOR CLEANING		
0018	1034.083.150		BUSH		
0019	421946017941		KLUBERLUB NH1 11-222 TUBE 5GR.		
0020	21002054	21002501	ACC PSA COF.OIL REMOVER 1UNITCORE+ W/D		
0021	11010042		BREW UNIT 9/15G PROFESSIONAL		
0022	NM01.060		OR ORM 0120-30 SILICONE FDA		
0023	11021890		SCRAPER FOR COFFEE UNIT 9GR.		
0024	NM02.007		OR 2025 IN TERMOIL		
0025	9161.064.150		GREY WATER INLET SLEEVE BREW UNIT		
0026	9161.227.050		COMPLETE PISTON FOR UNIT BLACK		
0027	11009907		CONTAINER ASS.BLACK 9GR		
0028	0301.R04.150		GREY WATER INLET SLEEVE BREW UNIT ASSY.		
0029	11031604		HANDGRIP		
0030	9161.231		SPRING FOR SCRAPER UNIT 9GR.		
0031	11031660		BREW UNIT PISTON SCRAPER		
0032	9161.277		SPRING FOR HANDGRIP UNIT 9GR		
0033	9161.234.150		GREY CONN. ROD FOR UNIT 9GR.		
0034	12001616		LOCK TUBE FASTPOINT (4703AA01)		
0035	12000550		SCREW TCB TORX 10 3X25 PLAST.SS		
0036	129912521		SCREW TCB TORX 10 3,5X14 PLAST.SS		
0037	11025879	11032468	BLACK SILICONE TUBE 3,5X6 L= 290 MM		
0038	1037.043.050		CONNECTOR COFFEE BLACK		

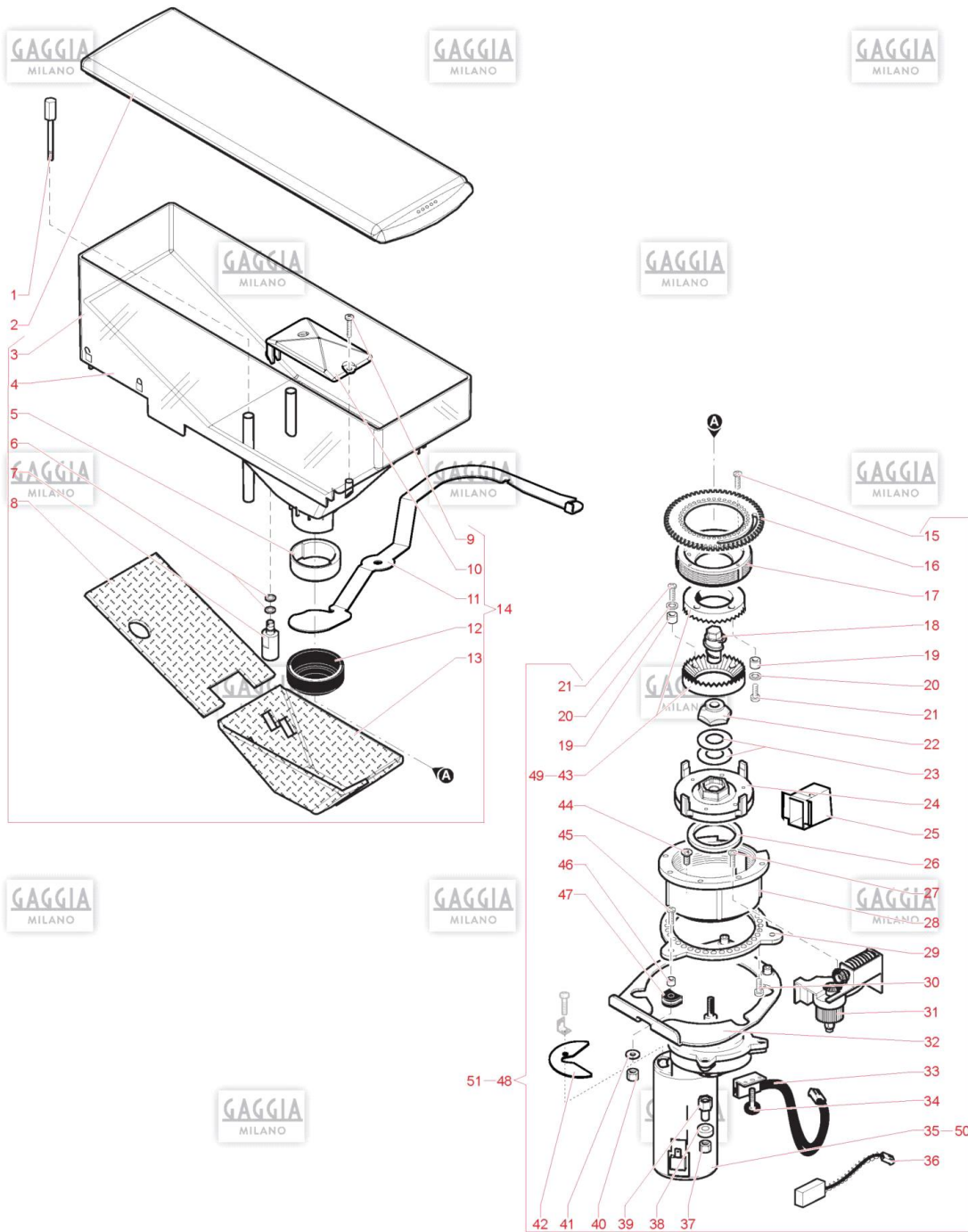


Pos.	Item	Repl. by	Description	Notes	Price (USD)
0001	11003166		SPACE 16MM UNIT VALVE 7/9GR.		
0002	9161.222		SS.CONICAL SPRING		
0003	9161.447		PIN		
0004	NM02.006		OR R5 TERMOIL		
0005	9161.320		VALVE FOR UNIT		
0006	NM02.013		OR ORM 0080-15 TERMOIL		
0007	11003164		SPACER 7MM PIN SHOWER 7GR.		
0008	11000743		COUNTERPISTON GREY 7 GR		
0009	140322061		O-RING 4112 EPDM		
0010	1037.043.050		CONNECTOR COFFEE BLACK		
0011	129852821		TSP SCREW M3X14 UNI 7688 SS		
0012	324000100		SS PERCOLATOR D= 34 SCREW FOR UNIT		
0013	U140.017		PANELVIT TCB 3,0X20 DIN 7505 BGAL		
0014	1020.060.150		FLANGE FOR COUNTERPISTON UNIT		
0015	NM02.010	140324761	OR ORM 0050-20 TERMOIL		
0016	146680659		GREY MEASURE WITH HOLE		
0017	127390100		BRUSH FOR CLEANING		
0018	1034.083.150		BUSH		
0019	421946017941		KLUBERLUB NH1 11-222 TUBE 5GR.		
0020	21002054	21002501	ACC PSA COF.OIL REMOVER 1UNITCORE+ W/D		
0021	11010043		BREW UNIT 7G PROFESSIONAL		
0022	324000200		SS PERCOLATOR D= 34 FOR UNIT		
0023	12001146	NM01.060	OR ORM 0115-30 VITON GREEN 70/75 SHORE		
0024	11003213		SCRAPER FOR UNIT WITH SPACER		
0025	NM02.007		OR 2025 IN TERMOIL		
0026	9161.064.150		GREY WATER INLET SLEEVE BREW UNIT		
0027	11000740		COMPLETE PISTON FOR UNIT BLACK7 GR.		
0028	11009908		CONTAINER ASS.BLACK 7GR		
0029	0301.R04.150		GREY WATER INLET SLEEVE BREW UNIT ASSY.		
0030	11031604		HANDGRIP		
0031	9161.231		SPRING FOR SCRAPER UNIT 9GR.		
0032	11004729	11031660	SCRAPER GREY FOR 9GR. UNIT MODIFIED		
0033	9161.277		SPRING FOR HANDGRIP UNIT 9GR		
0034	9161.234.150		GREY CONN. ROD FOR UNIT 9GR.		
0035	12001616		LOCK TUBE FASTPOINT (4703AA01)		
0036	12000550		SCREW TCB TORX 10 3X25 PLAST.SS		
0037	12001375		1/4 MALE CAP HEXAGONAL (261ZBR31920)		
0038	129912521		SCREW TCB TORX 10 3,5X14 PLAST.SS		
0039	11025879	11032468	BLACK SILICONE TUBE 3,5X6 L= 290 MM		



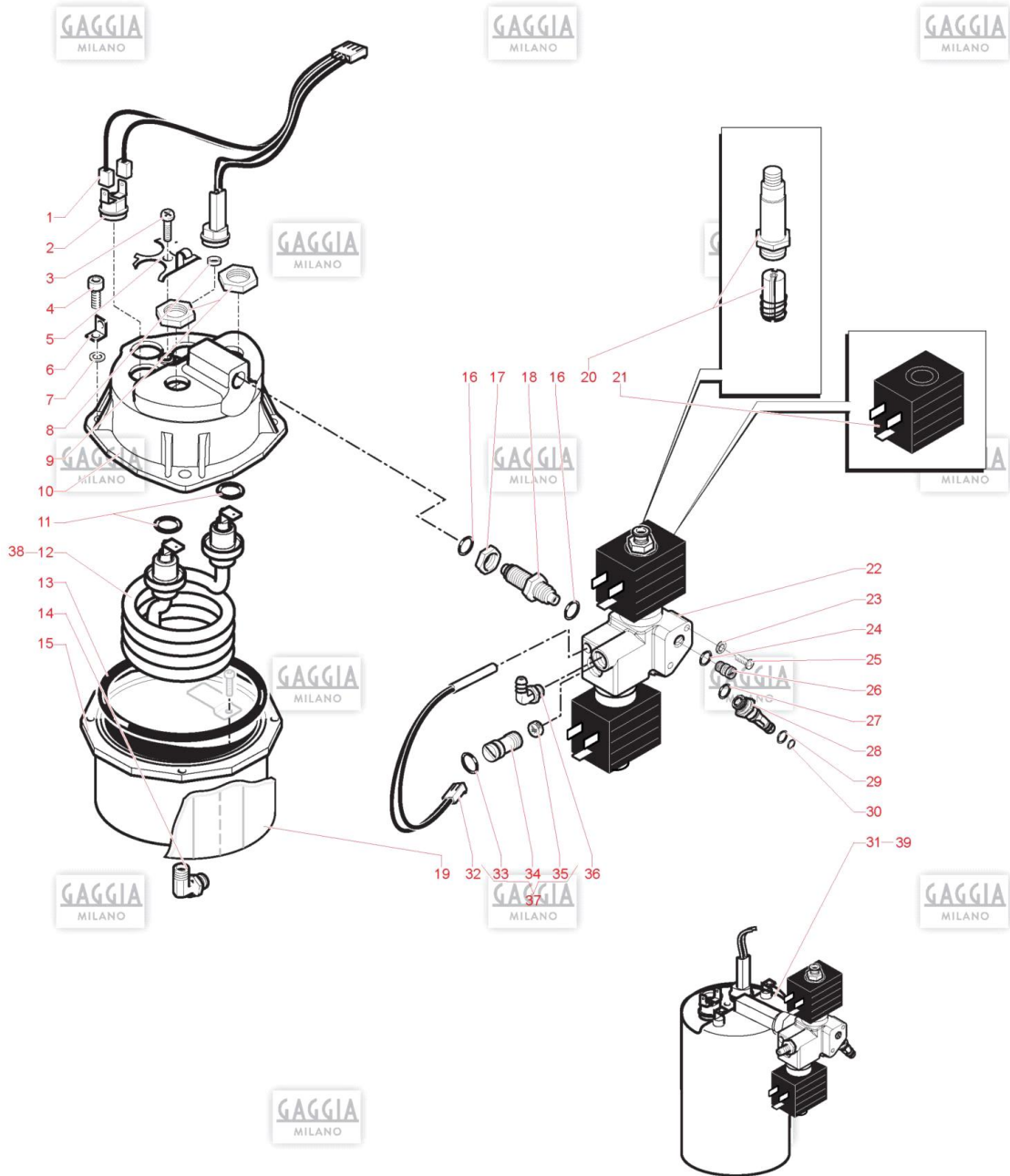
Pos.	Item	Repl. by	Description	Notes	Price (USD)
0001	1034.059		FIXING PIN COFFEE CONT.		
0002	11034722		PANTHER COVER COFFEE		
0003	1034.150.230		COFFEE CONT.		
0004	1034.A21		WHOLE GUILLOTINE		
0005	1047.003		PANEL		
0006	NV99.097		SHIMMING WASHER 6X12X0,5		
0007	1034.053		ASS.SCREW FIXING GUILLOTINE		
0008	263375		COFFEE CONT. SEAL NSF51- FDA		
0009	1047.004		PANEL		
0010	U043.025		screw TCBC M5,0X10 UNI 7687 SS		
0011	11030159		PROTECTION COFFEE		
0012	1034.069.150		BUSH GUILLOTINE		
0013	263396		RH COFFEE CONT.ASS. NSF		
0014	11002211		CARD PROTECTION RATIOMOTOR		
0015	U005.010		screw TE M4,0X14 UNI 5739 GALV.		
0016	U207.002		PLAIN WASHER 4,3X9 UNI 6592 GAL		
0017	11013782		RATIOMOTOR CAMS ASSEMBLY		
0018	11002134		CARD 2 SENSOR RATIOMOTOR		
0019	11002964		SPACE FOR CENTRAL CARD 2 SENSORY		
0020	120340804		EL. SHAFT RETAIN.RING D= 8 UNI 7435		
0021	12000232		LIP RATIOMOTOR ST.112B 24VDC 11RPM		
0022	1020.023		RATIOMOTOR BRACKET		
0023	11002133		JOINT WITH SHAFT FOR RATIOMOTOR		
0024	U005.012		screw TE M4,0X30 UNI 5739 GALV.		
0025	NL04.014		SPACER CARD H= 9,5		
0026	128310404		WASHER UNI 8842 A4 BURNISHED		
0027	129824002		TCB SCREW M4X10 UNI 7687 ZNP		
0028	U407.001		ELASTIC PIN 3,0X20 UNI 6874		
0029	11002139		RATIOMOTOR ASSEMBLY 24VDC		
0030	U043.007		screw TCBC M3,0X8 UNI 7687 GALV.		
0031	9141.055.050		TOOTHED WHEEL Z.62 BLACK		
0032	11037026		ADJUSTMENT RING NUT TEA		
0033	11037027		WORM SCREW		
0034	11005111		SPACER FOR GRIND IN CERAMIC		
0035	NM03.027		OR ORM 0050-10 NBR		
0036	12001176		SCREW TCBC M3X10 INOX BN5952		
0038	12000394		CUP SPRING 8,2x16x0,4 DIN 2093		
0039	11003839		FAN 4 SPRING CUP		
0040	NM07.001		AXIAL BEARING EKKO COMPACT		
0041	129670202		TCB PANELVIT SCREW 3,5X16 TESTA D= 8 ZNP		
0042	11036994		NSF GRINDER CAP		

Pos.	Item	Repl. by	Description	Notes	Price (USD)
0043	9141.054.050		BLACK FLANGE		
0044	11007823		DOUBLE COFFEE GRINDER SUPPORTBLACK		
0045	9140.020		MODULAR GRINDER ADJUST.ASS.		
0046	11026235	11036739	RATIOMOTOR COFFEE GRIND 230VDC		
0047	11023724		COFFEEGRINDER DUST PROTECTION		
0048	20006810		MOTOR BRUSH AMETEK 053300025.19121.093		
0049	11024370		MAGNET SUPPORT IDEA		
0050	9141.066		4 POLE MAGNET		
0051	12001283		NUT M5 NNE-34814-15		
0052	U127.005		screw TAPT.TCB M4,OX8 DIN 7500C		
0053	11024859		COFFEEGRINDER SENSOR IDEA. CSA	DUO	
0054	11034713		COFFEEGRINDER SENSOR IIDEA RST	CAPPUCCINO / SELF	
0055	9141.078		GRINDER D.64 CERAMIC		
0056	U044.002		screw TSPC M4,OX10 UNI 7688 GALV.		
0057	129825002		TCB SCREW M4X20 UNI 7687 ZNP		
0058	11036993		NSF COFFEE OUTLET CHANNEL ASS.		
0059	9141.003		SPACER FOR RUBBER		
0060	9991.005		RUBBER FOR COFFEE GRINDER		
0061	123453102		GALV.SELF LOCK NUT HIGH M4 DIN982		
0062	11026307		COFFEE GRIND BRONZE RIGHT 230V	DUO	
0063	11034973		COFF.GRINDER WITH REGOL. 230VDC	CAPPUCCINO / SELF	
0064	263369		D.64 STEEL GRINDER	120V NA-CSA - NSF	
0065	11036740		RATIOMOTOR COFFEE GRIND 208VDC	120V NA-CSA - NSF	
0066	263392		LH GRINDER ASS. 208V CSA/ NSF	120V NA-CSA - NSF	

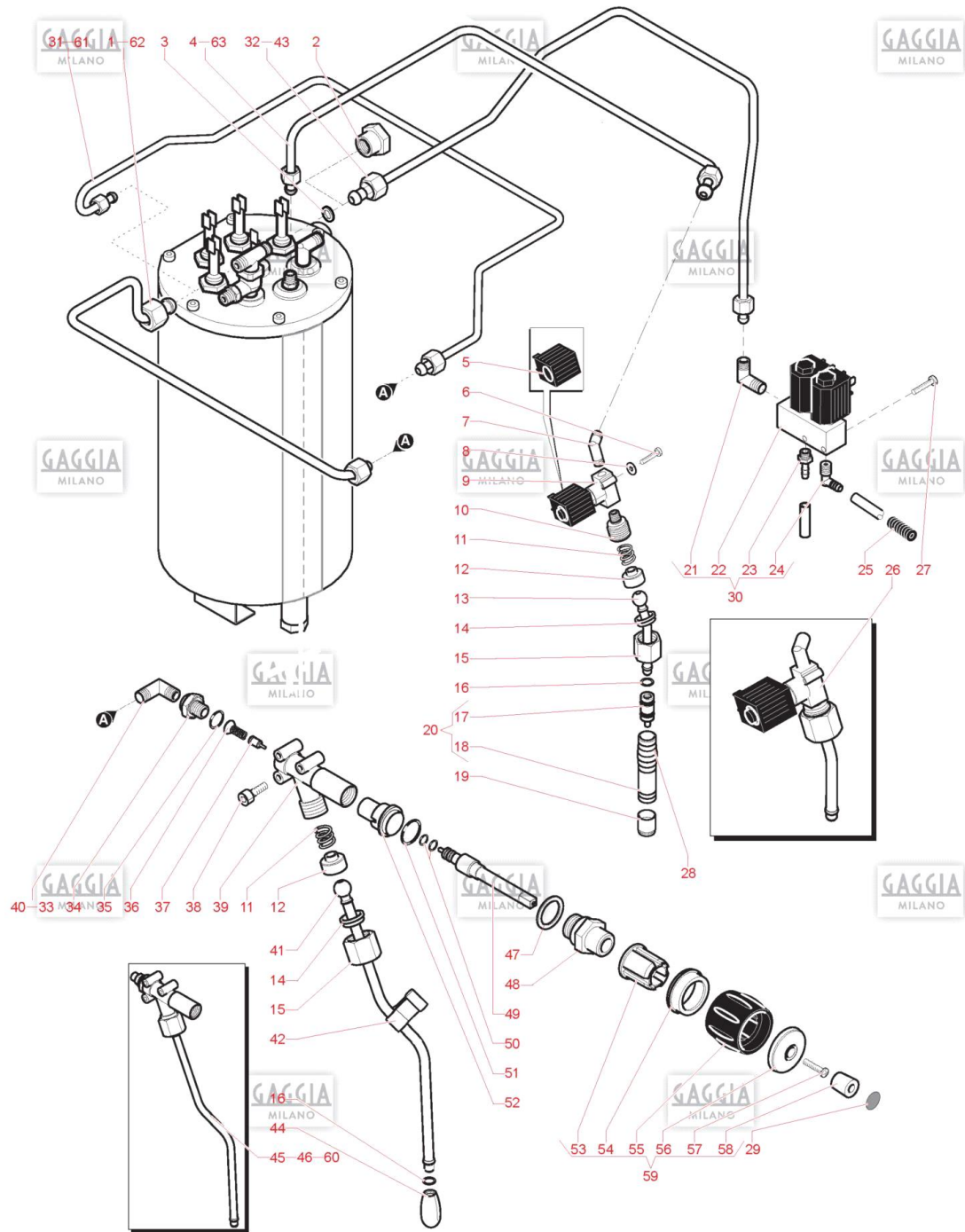


Pos.	Item	Repl. by	Description	Notes	Price (USD)
0001	1034.059		FIXING PIN COFFEE CONT.		
0002	11034722		PANTHER COVER COFFEE		
0003	1034.150.230		COFFEE CONT.		
0004	15001180		LABEL 2 SOLUBLES COFFEE CONTAINER		
0005	1034.069.150		BUSH GUILLOTINE		
0006	NV99.097		SHIMMING WASHER 6X12X0,5		
0007	1034.053		ASS.SCREW FIXING GUILLOTINE		
0008	1047.003		PANEL		
0009	U043.025		screw TCBC M5,0X10 UNI 7687 SS		
0010	11030159		PROTECTION COFFEE		
0011	11008176		GUILLOTINE LEFT 2 COFFEE GRIND		
0012	263375		COFFEE CONT. SEAL NSF51-FDA		
0013	1047.004		PANEL		
0014	263397		LH COFFEE CONT.ASS. NFS		
0015	U043.007		screw TCBC M3,0X8 UNI 7687 GALV.		
0016	9141.055.050		TOOTHED WHEEL Z.62 BLACK		
0017	11037026		ADJUSTMENT RING NUT TEA		
0018	11037027		WORM SCREW		
0019	11005111		SPACER FOR GRIND IN CERAMIC		
0020	NM03.027		OR ORM 0050-10 NBR		
0021	12001176		SCREW TCBC M3X10 INOX BN5952		
0023	12000394		CUP SPRING 8,2x16x0,4 DIN 2093		
0024	11003839		FAN 4 SPRING CUP		
0025	11036993		NSF COFFEE OUTLET CHANNEL ASS.		
0026	NM07.001		AXIAL BEARING EKKO COMPACT		
0027	129670202		TCB PANELVIT SCREW 3,5X16 TESTA D= 8 ZNP		
0028	11036994		NSF GRINDER CAP		
0029	9141.054.050		BLACK FLANGE		
0030	129824002		TCB SCREW M4X10 UNI 7687 ZNP		
0032	11007823		DOUBLE COFFEE GRINDER SUPPORTBLACK		
0033	11024859		COFFEEGRINDER SENSOR IDEA. CSA		
0034	U127.005		screw TAPT.TCB M4,0X8 DIN 7500C		
0035	11026235	11036739	RATIOMOTOR COFFEE GRIND 230VDC		
0036	20006810		MOTOR BRUSH AMETEK 053300025.19121.093		
0037	12001283		NUT M5 NNE-34814-15		
0038	9141.066		4 POLE MAGNET		
0039	11024370		MAGNET SUPPORT IDEA		
0040	123453102		GALV.SELF LOCK NUT HIGH M4 DIN982		
0041	U207.002		PLAIN WASHER 4,3X9 UNI 6592 GAL		
0042	11023724		COFFEEGRINDER DUST PROTECTION		
0043	9141.078		GRINDER D.64 CERAMIC		

Pos.	Item	Repl. by	Description	Notes	Price (USD)
0044	U044.002		screw TSPC M4,0X10 UNI 7688 GALV.		
0045	129825002		TCB SCREW M4X20 UNI 7687 ZNP		
0046	9141.003		SPACER FOR RUBBER		
0047	9991.005		RUBBER FOR COFFEE GRINDER		
0048	11026305		COFFEE GRIND BRONZE LX 230V		
0049	263369		D.64 STEEL GRINDER	120V NA-CSA - NSF	
0050	11036740		RATIOMOTOR COFFEE GRIND 208VDC	120V NA-CSA - NSF	
0051	263393		RH GRINDER ASS. 208V CSA/NSF	120V NA-CSA - NSF	

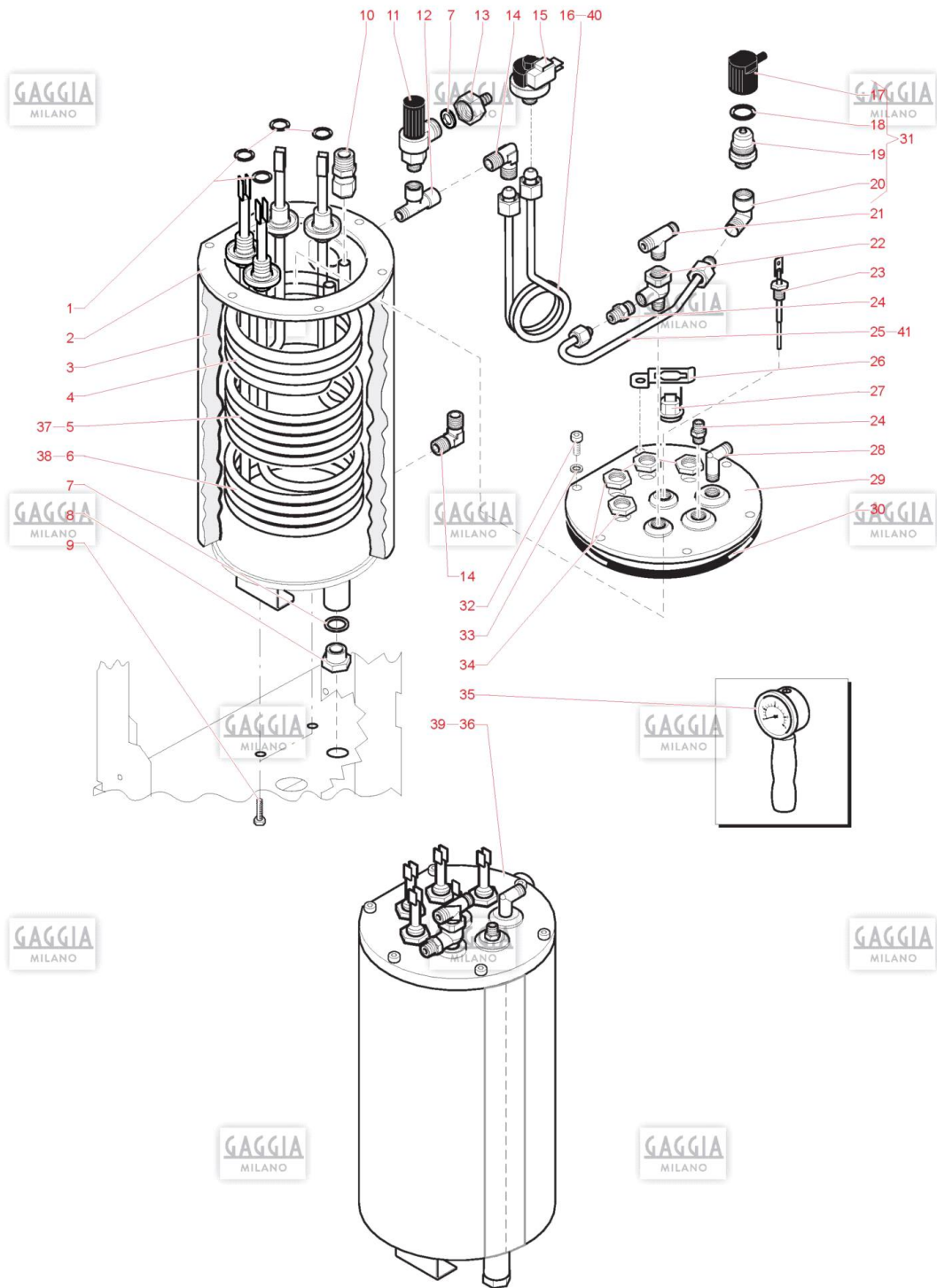


Pos.	Item	Repl. by	Description	Notes	Price (USD)
0001	11008149		ASS.PROBE+ COFFEE THERMOSTAT IDEA 2M		
0002	NE09.010		THERMOSTAT 135° NC FAST. 90° + WASHER		
0003	12001052		SCREW TCEI M4,0X6 DIN 912 ZIN		
0004	U023.020		SCREW TCEI M6X20 UNI 5931 ZIN		
0005	226830200		RETAIN.SPRING 3 THERM. + THERMAL FUSE		
0006	NE15.031		MALE TONGUE PLAIN 6, 3 D. 6, 3		
0007	U204.001		ELAS. WASHER 6,4X11,4 UNI 1751ZIN		
0008	11004424		ALUM.SPACER FOR PHILIPS SENSORM5000		
0009	9991.029		NUT FOR RESISTOR		
0010	11002771		UPPER CASING BOILER TEA		
0011	11000972		OR 3050 FKM 80 FD PEROXIDICA		
0012	11007591		RES CALD. V230 W1400 INC.800		
0013	NM04.010		OR ORM 0730-40 FPM 70+ -5 IRHDBLACK		
0014	11032112		COUPLING TO L M-CIL M-CON 1/8TEA		
0015	9011.222		LOWER BODY M6 TEA		
0016	140321462		O-RING 2018 SILICONE		
0017	9991.017		NUT 1/8		
0018	9991.119		NIPLO 1/8X1/8 WITH OR		
0019	11004800		AMBRA BOILER ISOLATOR		
0020	1037.R05		KIT ELECTROVALVE 3 WAY		
0021	1020.R01		AND UNIT		
0022	9121.100.00P		ELECTROVALVE 3 WAYS 24V 60HZ TEA		
0023	U208.003		TOOTHED WASHER 5,1X9 BRU		
0024	NM01.002	140326562	OR 2012 SILICONE		
0025	U043.021		screw TCBC M5,0X8 UNI 7687 GALV.		
0026	9041.101		BOILER SUPPORT CAP		
0027	NM01.008	140320459	OR ORM 0080-20 SILICONE		
0028	9011.184		BOILER PIN		
0029	NM01.035		OR ORM 0090-20 SILICONE		
0030	NM01.057		OR ORM 0050-20 IN SILICONE		
0031	11009205		BOILER ASSEMBLY 2M 230V		
0032	1020.817		PTC UNIT HARNESS ASS.		
0033	NM04.011		OR ORM 0090-20 VITON GREEN		
0034	9041.211		GIGLER TEA PLUG		
0035	9991.118		GIGLER FILTER		
0036	9181.401		ANGULAR TOOTHED M 1/8 TUBO 6 TEA		
0037	1030.R11		KIT CAP GIGLER		
0038	11010351		RES CALD. V208 W1400 INC.800	120V NA-CSA - NSF	
0039	263394		COFFEE BOILER ASS. 208V CSA/NSF	120V NA-CSA - NSF	



Pos.	Item	Repl. by	Description	Notes	Price (USD)
0001	11034559		TUBE STEAM 2 GRIND COFFEE		
0002	12001163		STANDARD CAP F 1/4 GAS TEA	SELF	
0003	NG03/021		COPPER GASKET DISK D.11 X 1.5	SELF	
0004	11008142		ASS.TUBE HOT WATER 2 GRIND COFFEE		
0005	0801.R01		SOLENOID VALVE COIL DA 10 P 24V 5		
0006	12002052		ZN-B TCB SCREW M4X16		
0007	11032112		COUPLING TO L M-CIL M-CON 1/8TEA		
0008	128310404		WASHER UNI 8842 A4 BURNISHED		
0009	9121.114.00P		HOT WATER SOL.VALVE 2 WAY UL TEA		
0010	11011445		FAUCET CONNECTOR H2O TEA		
0011	9181.285		SEMISPHERE CONTRAST VALVE		
0012	9181.261		UPPER SEMI-SPHERE		
0013	9181.392		WATER STEEL		
0014	9181.262		LOWER SEMI-SPHERE		
0015	9181.263		NUT FOR FAUCET		
0016	140321462		O-RING 2018 SILICONE		
0017	1020.R07		LUBRORING BUSH ASS. TEA		
0018	9181.312		WATER TUBE SLEEVE UL TEA		
0019	263383		AERATOR		
0020	1020.R08		TUBE KIT		
0021	11032112		COUPLING TO L M-CIL M-CON 1/8TEA		
0022	11033102		EV DOUBLE 2 WAYS 24V TYPE 9000TEA		
0023	NR07.013		STD TOOTHED CONN. M 1/8X06 NICK.		
0024	9181.401		ANGULAR TOOTHED M 1/8 TUBO 6 TEA		
0025	0701.082		SPRING FOR TUBE PRODUCT 2		
0026	9180.015		MODULAR WATER FAUCET ASS.		
0027	U005.012		screw TE M4,0X30 UNI 5739 GALV.		
0028	9181.281.050		SLEEVE HANDGRIP		
0029	WGADM0794/003		Adhesive Steam Nameplate		
0030	11008412		SOLENOID VALVE ASS.CAPPUCCINATORE 2		
0031	11035900		DUO RST TUBE STEAM	DUO	
0032	11008141		ASS.TUBE CAPPUCCINATORE 2 GRIND COFFEE		
0033	11032112		COUPLING TO L M-CIL M-CON 1/8TEA		
0034	11011440		CONNECTOR FAUCET OUTLET TEA		
0035	NM01.054		OR 2056 SILICONE		
0036	9181.249		SPRING FOR FAUCET PIN		
0037	11009018		TEA/BRASS PISTON L= 15,1 ASSY.		
0038	U046.008		screw TE FZ M6,0X16 GALV.		
0039	11011441		FAUCET BODY TEA		
0040	12001803		CONN. A L M 1/8X1/4 NIK.ALIM.	DUO	
0041	9181.391		STEAM STEEL		

Pos.	Item	Repl. by	Description	Notes	Price (USD)
0042	4001144000		HANDLE FOR STEAM TUBE ON GAGGIA		
0043	263367		TEA MILK FROTHER TUBE ASS.	120V NA-CSA - NSF	
0044	9181.393		STEAM NOZZLE		
0045	11035083		RST MODULAR STEAM FAUCET ASS.		
0046	11036054		DUO RST MODULAR STEAM FAUCET ASS.	DUO	
0047	9181.383		WASHER FAUCET CAP		
0048	9181.413		TAPPO RUBINETTO		
0049	11011681		FAUCET ROD 2 GRIND COFFEE TEA		
0050	NM01.004		OR 2025 SILICONE		
0051	NM01.019		OR 3075 SILICONE		
0052	11034553		BUSH		
0053	1040.101.050		SUPPORT		
0054	1040.097		STEAM KNOB CHROMED		
0055	1040.099.050		BUSH STEAM KNOB		
0056	1040.098		CAP KNOB STEAM		
0057	U023.003		screw TCEI M4,OX10 UNI 5931 BURN.		
0058	11003692		FAUCET CAP STEAM		
0059	11035041		IDEA STEAM KNOB ASSEMBLY		
0060	263391		STEAM TAP ASS. DUO RST 208V	120V NA-CSA - NSF	
0061	263371		TEA DUO RST STEAM TUBE	120V NA-CSA - NSF	
0062	263370		TEA 2M STEAM TUBE	120V NA-CSA - NSF	
0063	263368		TEA HOT WATER TUBE ASS.	120V NA-CSA - NSF	

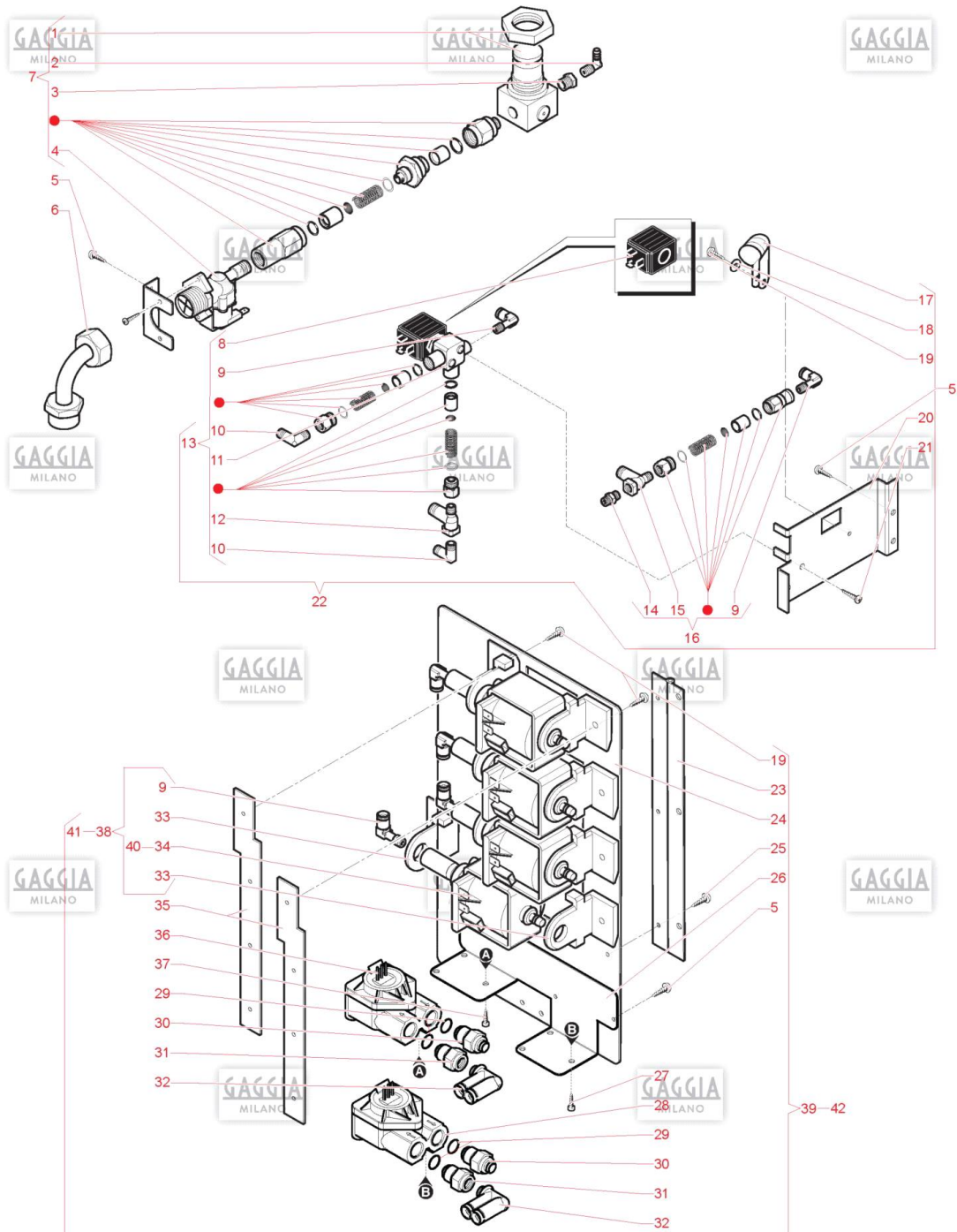


Pos.	Item	Repl. by	Description	Notes	Price (USD)
0001	NM04.016		OR 4055 FKM 80 FD PEROXIDICA		
0002	263350		BOILER BODY		
0003	1034.130		WATER BOILER INSULATOR		
0004	9041.222		PIPE COIL		
0005	9041.213.00A		UPPER HEAT ELEMENT 1500W 230V		
0006	9041.214.00A		LOWER HEAT ELEMENT 1500W 230V		
0007	NV99.019		COPPER WASHER 1/4		
0008	NR07.061		STANDARD CAP M 1/4 GAS		
0009	U005.003		screw TE M6,OX12 UNI 5739 GALV.		
0010	12000169		STRAIGHT CONN.D.8x1/4 BRASS NICKELED TEA		
0011	12001880		SAFETY VALVE D7/CS 3bar 1/4"-1/2"		
0012	11025154		STANDARD CONN. T FFM 1/4 TEA		
0013	11030453		CONNECTORF1/2" Ch.24 D.i TUBE7: 8		
0014	11011448		"L" CONNECTOR MM 1/4-1/4 TEA; "L" CONNECTOR MM 1/4-1/4 TEA		
0015	NE08.004		PRESSURE SWITCH MATER XP110		
0016	9181.398		TUBE		
0017	9041.208		VACUUM VALVE CAP		
0018	NM01.016		OR 3068 SILICONE		
0019	9040.008		VACUUM VALVE ASS.		
0020	9181.368		"L" CONNECTOR MF 1/4-1/4 TEA; "L" CONNECTOR MF 1/4-1/4 TEA		
0021	11011449		"T" CONNECTOR MMM 1/4-1/4-1/4TEA; "T" CONNECTOR MMM 1/4-1/4		
0022	11011450		T SPECIAL CONNECTOR TEA		
0023	9040.009		MODULAR LEVEL PROBE ASS.		
0024	11011419		DOUBLE CONNECTOR 1/8-1/8 TEA		
0025	11034560		TUBE LEAK VALVE		
0026	9041.198		THERMOSTAT RETAINING SPRING		
0027	NE09.010		THERMOSTAT 135° NC FAST. 90° + WASHER		
0028	11032112		COUPLING TO L M-CIL M-CON 1/8TEA		
0029	9041.188		BOILER LID ASS.		
0030	NM04.015		OR 4425 FKM 80 FD PEROXIDICA		
0031	1034.A11		VENT VALVE		
0032	U023.004		screw TCEI M6,OX12 UNI 5931 GALV.		
0033	U208.006		TOOTHED WASHER 6,4X11 UNI 3703		
0034	9991.029		NUT FOR RESISTOR		
0035	1020.R04		PRESSURE SWITCH CALIBRATING TOOL		
0036	263770		230 V STEAM/WATER BOILER ASS.		
0037	9041.213.00Z		UPPER HEAT ELEMENT 1500W 208V	CSA - NSF - NA	

Pos.	Item	Repl. by	Description	Notes	Price (USD)
0038	9041.214.00Z		LOWER HEAT ELEMENT 1500W 230V	CSA - NSF - NA	
0039	263769		208 V UL WATER/STEAM BOILER ASS.	UL	
0040	263373		TEA PRESSURE SWITCH TUBE	CSA - NSF - NA	
0041	263372		TEA BREATHER VALVE TUBE	CSA - NSF - NA	



Gaggia Concetto Evo

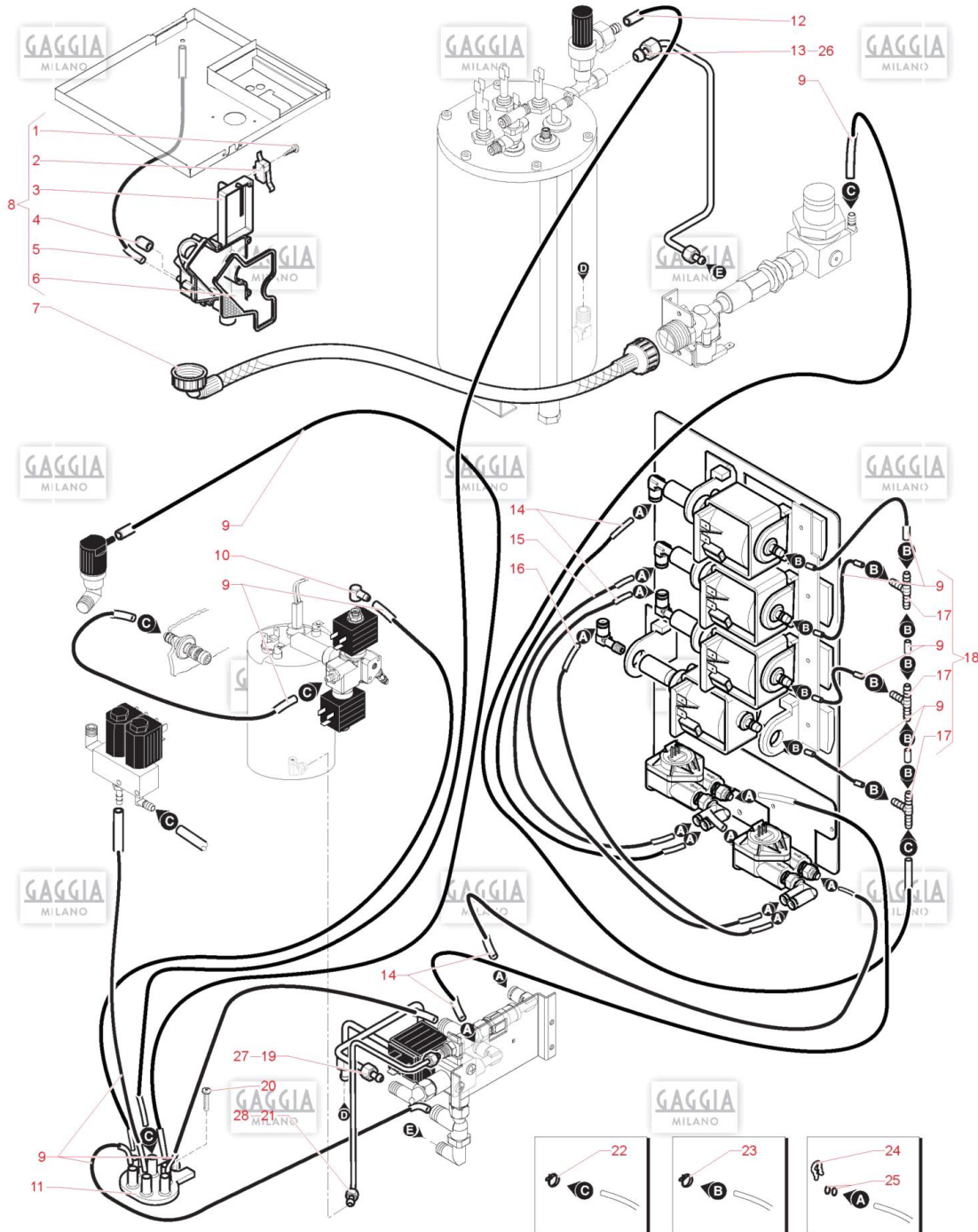


Pos.	Item	Repl. by	Description	Notes	Price (USD)
0001	NV99.007		PRESS. REDUCER .1BAR 1/4 MRABIT 52		
0002	9181.401		ANGULAR TOOTHED M 1/8 TUBO 6 TEA		
0003	9181.404		REDUCTION MF 1/4"X1/8" TEA		
0004	9121.058.00W		SOLENOID VALVE RPE 3/4-1/4 24VAC		
0005	U110.004		screw AUT.TCB 3,5X6,5 DIN 7981F		
0006	9181.396		INTAKE CONNECTOR 90° MF 3/4-3/4		
0007	1034.A03.00W		PRESSURE REGULATOR ASS.		
0008	1020.R01		AND UNIT		
0009	9181.348		TEA/BRASS CONNECTOR 1/8" CONICAL AT 90°		
0010	11032112		COUPLING TO L M-CIL M-CON 1/8TEA		
0011	11011451		SOLENOID VALVE 2-WAY 24V 50/60HZ TEA		
0012	9181.308		EXPANSION VALVE ASS.6-8 TEA		
0013	1034.A05.00P		SOLENOID VALVE ASS.CAPPUCCINATORE		
0014	11011419		DOUBLE CONNECTOR 1/8-1/8 TEA		
0015	9181.307		EXPANSION VALVE ASS. 16-18 ULTEA		
0016	1034.A04		COFFEE DISPENSER TEA		
0017	NF11.100		CLIP RICHCO SPN-10		
0018	U201.005		PLAIN WASHER 4,3X12 DIN 7349 GAL		
0019	U110.002		screw AUT.TCB 3,5X13 DIN 7981F		
0020	1034.087		BLACK TURBINE SUPPORT		
0021	129823802		TCB SCREW M4X8 UNI 7687 ZNP		
0022	1034.A06.00P		ASS.VALVOLE		
0023	1034.027		HINGE		
0024	1034.025		PUMP PLATE		
0025	U110.003		screw AUT.TCB 3,5X9,5 DIN 7981F		
0026	11036796		SUPPORT FIXING FLOWMETER		
0027	129824002		TCB SCREW M4X10 UNI 7687 ZNP		
0028	263384		TURBINE BRASS TEA/PLASTIC D.2		
0029	NM01.049		OR ORM 0070-20 SILICONE		
0030	9181.407		TEA/BRASS CONNECTOR WATER SYSTEM TURBINE		
0031	9181.406		TEA/BRASS CONNECTOR TURBINE MF1/4 1/8		
0032	11008823		TEA/BRASS 90° CONNECTOR DOUBLEFAST LOCK		
0033	149205850		BLACK TYPE ULKA PUMP W/ BEVEL SUPPORT		
0034	187720958		PUMP 230 VOLT		
0035	1034.033		PLATE FIXING PUMPS		
0036	12002010		PLASTIC GICAR FLOWMETER D.2		
0037	U109.011		screw AUT.TCB 3,9X9,5 DIN 7981C		
0038	11032094		PUMP IDEA 230V		
0039	11036798		PLATE PUMPS 230V + TURBINE		

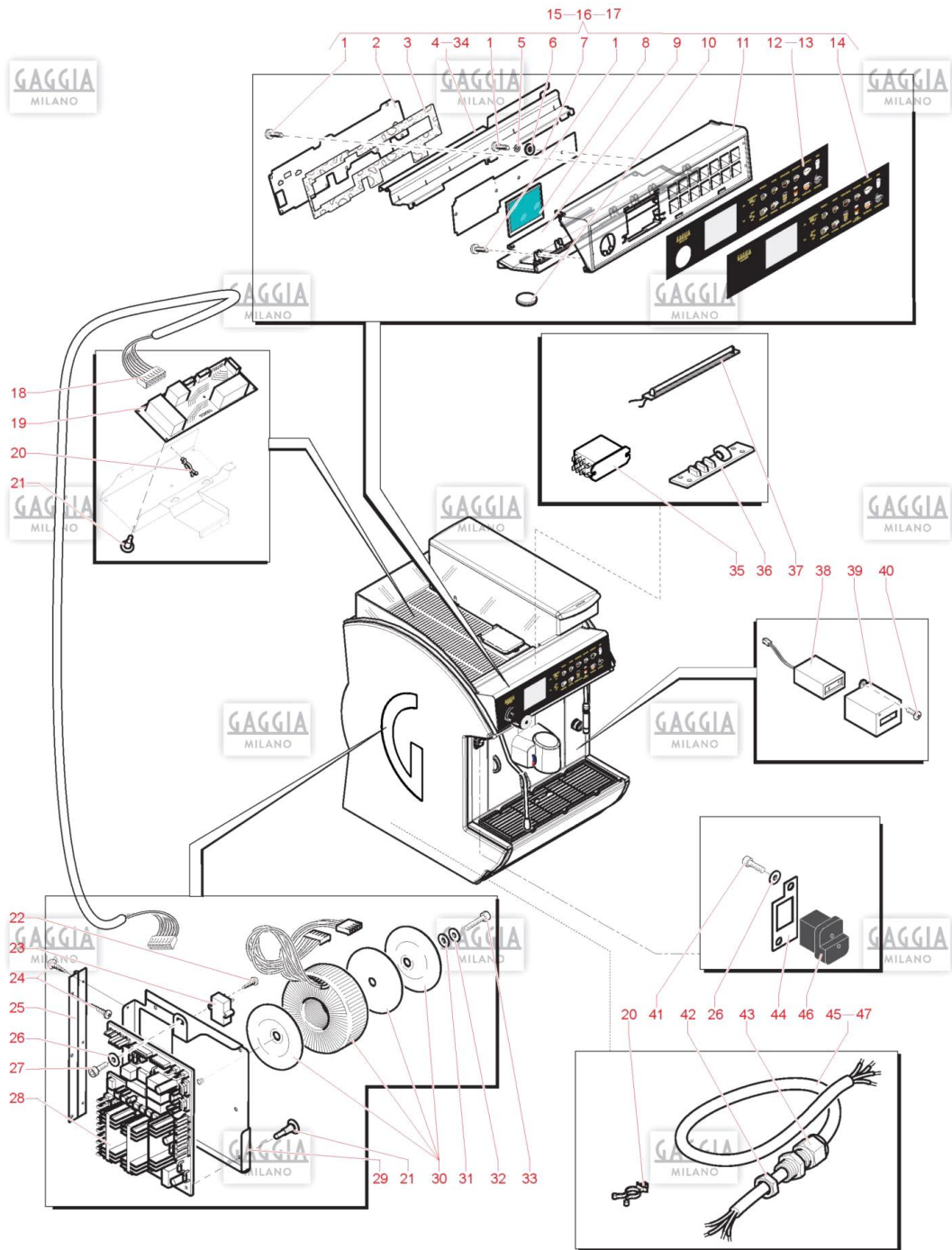
Pos.	Item	Repl. by	Description	Notes	Price (USD)
0040	9070.035.00Z		ULKA PUMP EAP5 220V 60HZ	CSA - NSF - NA	
0041	11032096		PUMP IDEA 208V 60HZ	CSA - NSF - NA	
0042	11036822		PLATE PUMPS 208V + TURBINE	CSA - NSF - NA	



Gaggia Concetto Evo

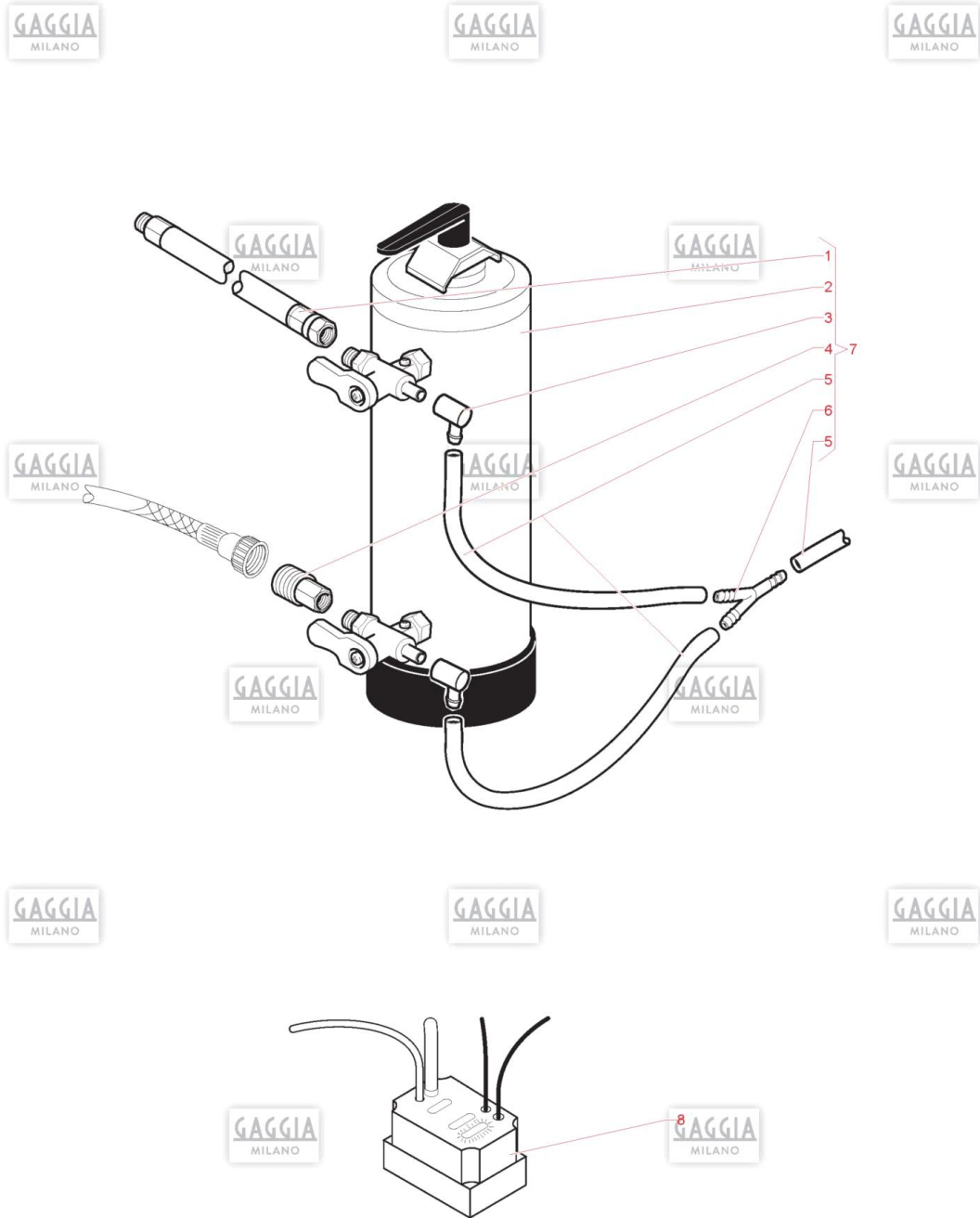


Pos.	Item	Repl. by	Description	Notes	Price (USD)
0001	U140.017		PANELVIT TCB 3,0X20 DIN 7505 BGAL		
0002	NE05.050		MICROSWITCH		
0003	1034.088.050		DRIP CHANNEL		
0004	12000661		SILICONE CAP DI: 4,5 DE: 7,5 L: 12		
0005	9972.185	9972.246	SILICONE TUBE 5X10 L.440MM		
0006	1020.038		DRIP CHANNEL SEAL		
0007	NV99.003		FLEXIBLE TUBE FF 3/4 L= 1800 90°		
0008	11035035		DUCT DRIP RST ASSEMBLY		
0009	9972.185	9972.246	SILICONE TUBE 5X10 L.440MM		
0010	9991.145		CONN. IN RUBBER 90 DEG. FOR SOL.VAL		
0011	11008124		UNLOADING CONNECTION 2 GRIND COFFEE		
0012	9972.055		SILICONE TUBE 7X11 L.2000MM		
0013	11008128		COILED TUBE 2 COFFEE GRIND		
0014	9979.A86		TEFLON ASS. TUBE 4X2 L.350 7-7		
0015	9979.A84		TEFLON TUBE 4X2 L.265 7-7 ASSY.		
0016	9979.A85		TEFLON TUBE 4X2 L.215 7-7 ASSY.		
0017	NV99.091		T CONNECTOR		
0018	1034.A22		PUMP TUBES ASS.		
0019	11008129		ASS.STEAMTUBE 2 COFFEE GRIND		
0020	U043.008		screw TCBC M5,0X10 UNI 7687 GALV.		
0021	11008140		ASS.TUBE BOILER COFFEE' 2 GRIND COFFEE		
0022	NV99.077		TUBE-TIGHTENING CLAMP D= 9.8/10.6		
0023	NV99.087		BAND D= 11/11,6		
0024	9011.144		SS FORK FOR TUBE D= 4		
0025	140328059		OR 2015 SILICONE PTFE/FDA		
0026	263364		TEA SERPENTINE TUBE ASS.	CSA - NSF - NA	
0027	263365		TEA STEAM TUBE ASS.	CSA - NSF - NA	
0028	263366		TEA BOILER TUBE ASS.	CSA - NSF - NA	



Pos.	Item	Repl. by	Description	Notes	Price (USD)
0001	129660902		PANELVIT TCB SCREW 3,5X12 D.7505 Z		
0002	11035100		CLOSED FRONTAL ELECTRONIC		
0003	11034566		SEAL COVER		
0004	11034636		TANK FIXING	CAPPUCCINO/SELF	
0005	U207.002		PLAIN WASHER 4,3X9 UNI 6592 GAL		
0006	145840365		SEAL FOR ARTICULA. STEAM TUBE		
0007	11034568		ELECTRONIC CARD+ SW UI IDEA RST		
0008	11032399		3,5" TFT DISPLAY 320x240		
0009	11034552	263806	LOWER CLOSED FRONT PANEL IDEARST		
0010	NE16.011		GROMMET NOSTRUM 10722.1.2		
0011	11034551	263805	FRONT PANEL IDEA RST PANTHERA		
0012	11036685		GAG DUO FRONT COVER ASSEMBLY	DUO	
0013	11036683		GAG CAPP COVER FRONT ASS.	CAPPUCCINO	
0014	11036497		GAG SELF COVER FRONT	SELF	
0015	11036733		GAG INTERN.DUO FRONT ASSEMBLY	DUO	
0016	11036728		GAG CAPP INTERN FRONT ASSEMBLY	CAPPUCCINO	
0017	11036498		GAG HRC INTERN FRONT ASSEMBLY	SELF	
0018	1020.809		FLAT CABLE 16 POLE L.550MM		
0019	1030.804		MODULAR FILTER CARD 796 DS		
0020	NE17.008		RICHCO CABLE RETAINER STL		
0021	NL04.014		SPACER CARD H= 9,5		
0022	U110.006		screw AUT.TCB 2,9X13 DIN 7981F		
0023	NE13.033		FILTER		
0024	U110.004		screw AUT.TCB 3,5X6,5 DIN 7981F		
0025	1034.027		HINGE		
0026	U201.005		PLAIN WASHER 4,3X12 DIN 7349 GAL		
0027	U110.003		screw AUT.TCB 3,5X9,5 DIN 7981F		
0028	11034988		CPU CARD POWER IDEA RST		
0029	11034999		ASS. BLK SIDE PLATE		
0030	11034719		TOROIDAL TRANSFORMER 80VA DEARST		
0031	U207.009		PLAIN WASHER 5,5X15 UNI 6593 GA		
0032	128310504		WASHER UNI 8842 A5 BURN.		
0033	U043.031		screw TCBC M5,0X40 UNI 7687 GALV.		
0034	11035395		DUO TANK FIXING	DUO	
0035	1484.605		POWER RELAY 12A	DUO	
0036	11009206		SCHEDA ELETTRONICA SENSORI 2M	DUO	
0037	11035463	263907	DUO RST IDEA BLUE LED SMD AVAGO 12VDC	DUO	
0038	12001442		IMPULSECOUNT.ISKRA 12VDC SI63.0 CABLE400		
0039	9991.140.050		IMPULSECOUNTERHOLDER KEISU GX-06R		

Pos.	Item	Repl. by	Description	Notes	Price (USD)
0040	U140.004		PANELVIT TCB 3,0X12 DIN 7505 BGAL		
0041	U023.003		screw TCEI M4,0X10 UNI 5931 BURN.		
0042	NE17.011		HEYCO LOCKING RING NUT 3213/B		
0043	NE17.009		HEYCO CABLE CLAMP TYPE 3213		
0044	1020.066.470		BLACK SWITCH PLATE		
0045	263663		SINGLE-PHASE POWER SUPPLY CABLE		
0046	12001912		BIPOL. SWITCH EVEREL SXA4388211000G00		
0047	NE01.059		CABLE USA PROFIMAT DE LUXE BLACK	CSA - NSF - NA	



Pos.	Item	Repl. by	Description	Notes	Price (USD)
0001	NV99.092		FLEXIBLE TUBE MF 3/8 L= 500		
0002	1414.001		WATER SOFTENER 8 L		
0003	9991.145		CONN. IN RUBBER 90 DEG. FOR SOL.VAL		
0004	NR07.064		REDUCTION MF 3/4"X3/8" NIK		
0005	9972.057		SILICONE TUBE 5X8 L.2000MM		
0006	147920800		Y CONNECTOR D= 8 ART.80.26.048KA.466		
0007	1030.R06		WATER SOFTENER KIT		
0008	1476.000.00A		MODULAR PUMP KIT 230V 50HZ		