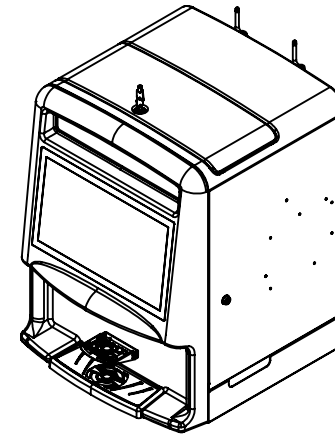
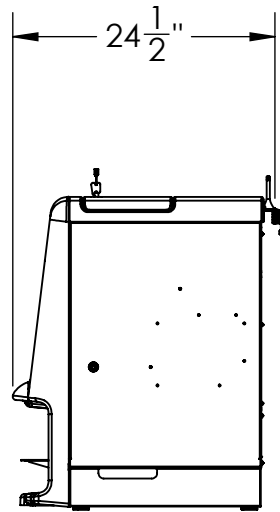
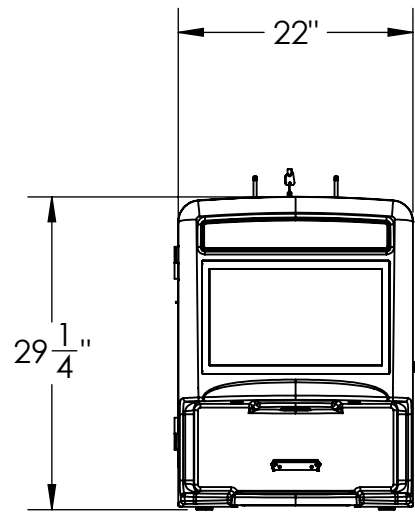
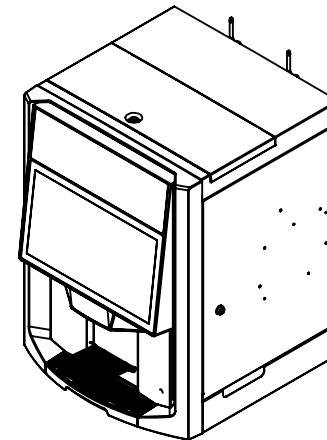
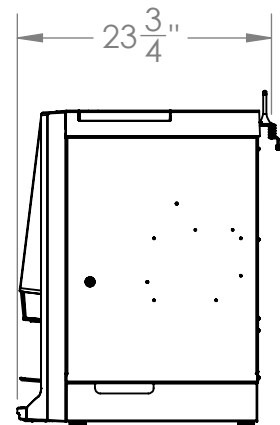
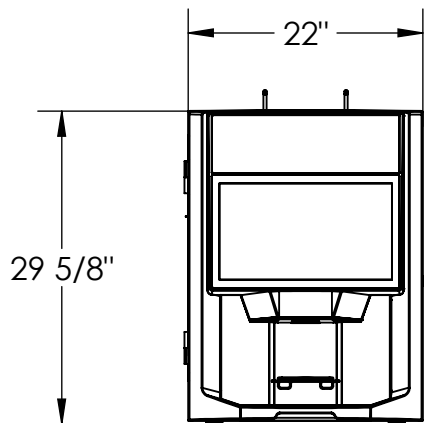


PARTS BOOK MANUEL DE PIÈCES



PB-EN1805



PB-DE2112

Coffee brewer's detailed parts reference manual.
Parts shown in this manual may not be individually available for purchase.

Manuel de référence des pièces de la cafetière.
Les pièces illustrées pourraient ne pas être vendues individuellement.

ENCORE 29™
ENCORE 29™
EMBLEM™
EMBLEM™



CERTIFIED/CERTIFIÉ
NSF/ANSI 4-2016



REV. 14

1/31

18PRE17
PLASTIC HOOD ASSY ET R1
P-A CAPOT ENCORE 29 R1

17CAB27
SOLUBLE 1 AND 2 LID ENCORE 29
COUVERCLE SOLUBLE 1 ET 2 ENCORE 29

17CAB28
SOLUBLE 3 LID ENCORE 29
COUVERCLE SOLUBLE 3 ENCORE 29

18ACC01
GRINDER UNSCREWING & BREWER TURNING TOOL
DEVISSE MOULIN ET TOURNE INFUSEUR

18PRE15
DOOR ASSY ET R1
P-A PORTE ENCORE 29 R1

17CAB46
DRIP TRAY GRILL ENCORE 29
GRILLE BAC A LIQUIDE ENCORE 29

17CAB45
DRIP TRAY ENCORE 29
BAC A LIQUIDE ENCORE 29

18DOR09
DOOR LOCK
(#R32687) 25
MM LEFT
SERRURE
(#R32687) 25
MM GAUCHE

17CAB67
ENCORE 29 SS LEVELING LEG
PATTE EN SS POUR ENCORE 29

18CAB32D
RIGHT SKIRT ENCORE 29 R1
JUPE DE DROITE ENCORE 29 R1

18CAB32G
LEFT SKIRT ENCORE 29 R1
JUPE DE GAUCHE ENCORE 29 R1

21PRE02
PLASTIC HOOD ASSY EMBLEM
P-A CAPOT EMBLEM

21PRE01
EMBLEM SOLUBLES COVER ASSEMBLY
P-A COUVERCLE SOLUBLES EMBLEM

21CAB05
POWDER BOX COVER EMBLEM
CAPUCHON SOLUBLES EMBLEM

18ACC01
GRINDER UNSCREWING & BREWER TURNING TOOL
DEVISE MOULIN ET TOURNE INFUSEUR

23ACC20
FASCIA ASSY EMBLEM
ENS FASCIA EMBLEM

18DOR09
DOOR LOCK (#R32687) 25 MM LEFT
SERRURE (#R32687) 25 MM GAUCHE

21CAB01
GRILL DRIP TRAY EMBLEM
GRILLE BAC A LIQUIDE EMBLEM

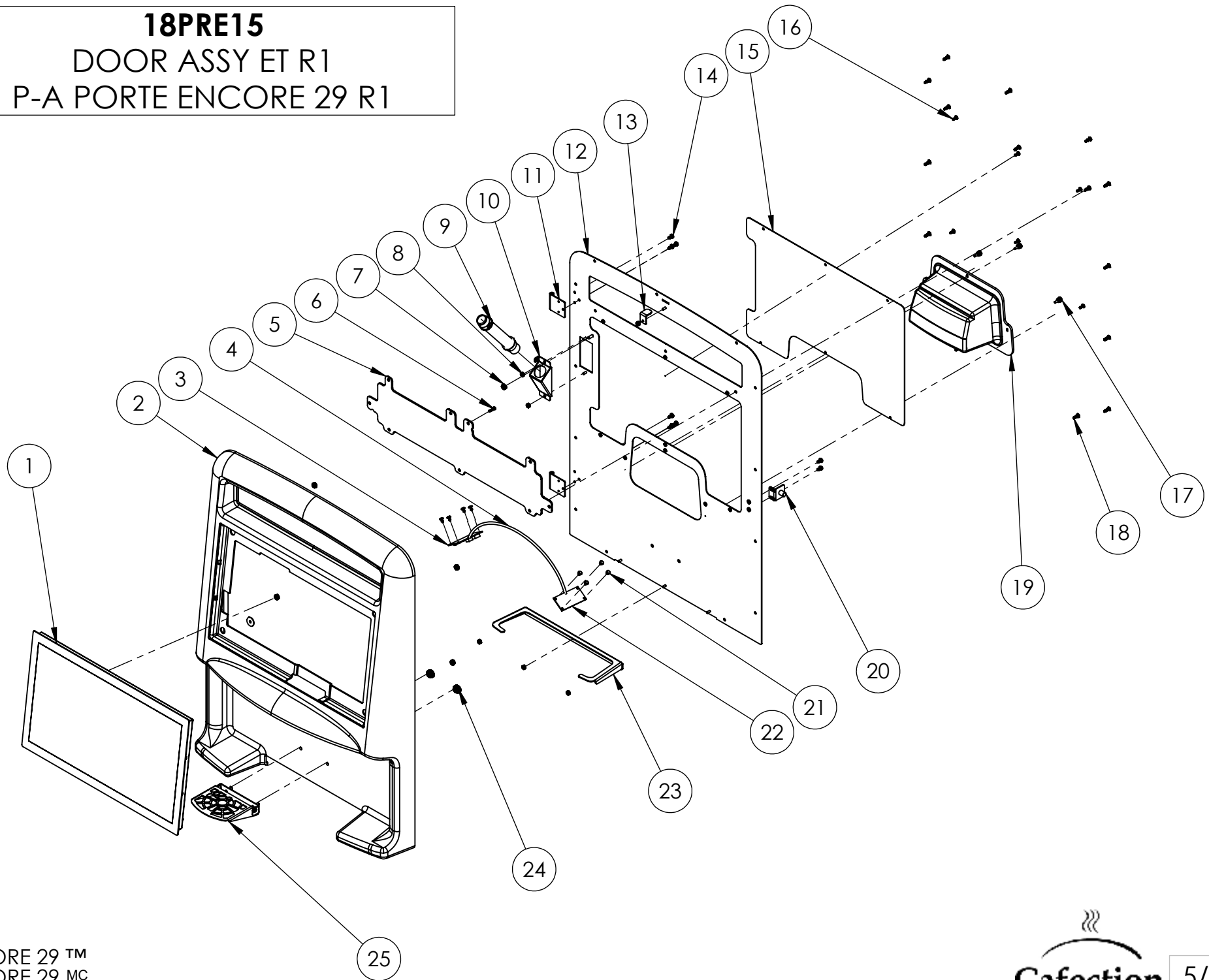
17CAB67
ENCORE 29 SS LEVELING LEG
PATTE EN SS POUR ENCORE 29

21DOR05
DRIP TRAY EMBLEM
BAC A LIQUIDE EMBLEM

18CAB32D
RIGHT SKIRT ENCORE 29 R1
JUPE DE DROITE ENCORE 29 R1

18CAB32G
LEFT SKIRT ENCORE 29 R1
JUPE DE GAUCHE ENCORE 29 R1

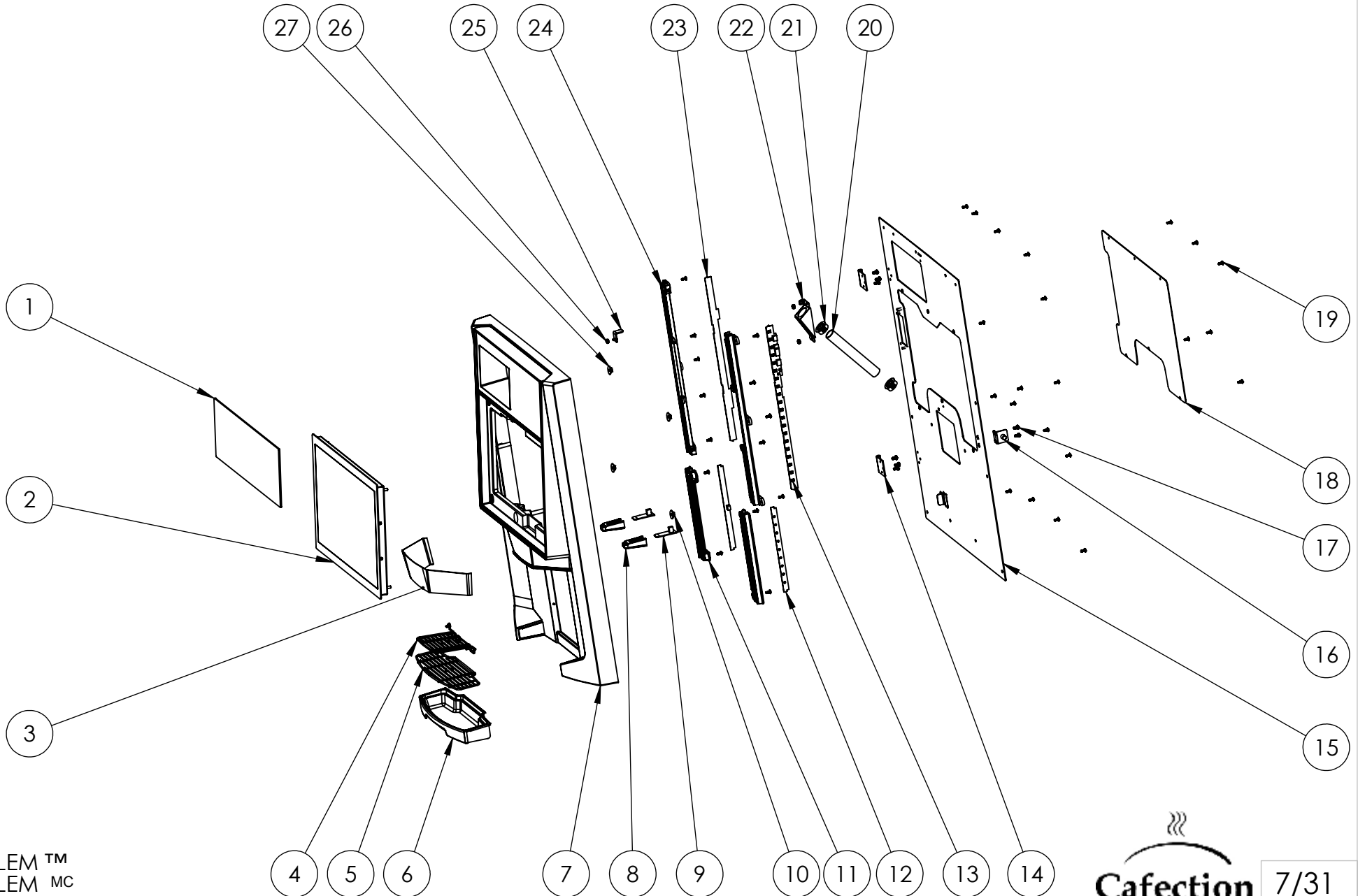
18PRE15
DOOR ASSY ET R1
P-A PORTE ENCORE 29 R1



18PRE15
DOOR ASSY ET R1
P-A PORTE ENCORE 29 R1

# ITEM	# PIECE	ENGLISH DESCRIPTION	DESCRIPTION FRANÇAISE	QTY/QTE
1	21ACC02	TOUCHSCREEN 18,5" ENCORE 29	ECRAN TACTILE 18,5" ENCORE 29	1
2	18DOR03	FASCIA ENCORE 29 R1	FASCIA ENCORE 29 R1	1
3	17ELN13	CUP 1 LIGHTNING CIRCUIT	CIRCUIT ÉCLAIRAGE TASSE 1	1
4	18ELC08	LINK CABLE, PCB CUP LED LIGHT	CABLE INTER CIRCUITS DEL TASSE	1
5	18DOR05	ACRYLIC WINDOW ENCORE 29 R1	FENETRE ACRYLIQUE ENCORE 29 R1	1
6	18HAR10	SCREW # 6 X 3/8" FLAT PH ZN HIGH	VIS # 6 X 3/8" FLAT PH ZN HIGH LOW	1
7	17HAR04	NUT 10-32 SS TOOTHED 1/4" LG	ECROU 10-32 DENTELÉ 1/4" LG SS	6
8	96HAR44	NYLON LOCK NUT 6-32	ECROU 6-32 AUTOBLOQUANT ZN & NYLON	6
9	18PRE16-ADA	DOOR CABLE ASSY	ASSEMBLAGE CABLE DE PORTE	1
10	18DOR07	DOOR WIRES FISHER ENCORE 29 R1	PASSE FIL PORTE ENCORE 29 R1	1
11	17DOR04	DOOR'S HINGE ENCORE 29	PENTURE DE PORTE ENCORE 29	2
12	18DOR06	DOOR SUPPORT PLATE ENCORE 29 R1	PLAQUE SUPPORT DE PORTE ENCORE 29 R1	1
13	18CAB24	PLASTIC HOOD LOCK PIN ENCORE 29 R1	BARRURE DE CAPOT ENCORE 29 R1	1
14	15HAR05	SCREW 8-32 X 3/8" PAN PHIL ZN TOOTH LOCH	VIS 8-32 X 3/8" PAN PHIL ZN ROND INTEG	8
15	17DOR05	DOOR ACESS PLATE ENCORE 29	PLAQUE ACCES PORTE ENCORE 29	1
16	96HAR06	SCREW 6-32 X 3/8" TRUSS PHIL SS	VIS 6-32 X 3/8" TRUSS PHIL SS	6
17	06HAR03	SCREW 6-32 x 3/8" SS WASHER FACE THUMB	VIS 6-32 X 3/8" TETE BOUTON SS	3
18	18HAR22	SCREW 8-16 X 1/2" ROUND PH ZN THREAD ROL	VIS 8-16 X 1/2" RONDE PH ZN THREAD ROL	16
19	18DOR08	COFFEE EXIT DECORATION ENCORE 29 R1	DECORATION SORTIE CAFE ENCORE 29 R1	1
20	17CAB48	STOPPER PIN	BUTOIR	1
21	18HAR08	PLASTIC RIVET 0,124"-0,140" SNAP TYPE	RIVET NYLON SNAP 0,124"-0,140"	8
22	17ELN14	CUP 2 LIGHTNING CIRCUIT	CIRCUIT ÉCLAIRAGE TASSE 2	1
23	17DOR09	DRIP TRAY SUPPORT ENCORE 29	SUPPORT BAC A LIQUIDE ENCORE 29	1
24	18HAR07	10-32 PLASTIC KNURLED THUMB NUT	ÉCROU MOLLETÉ EN PLASTIQUE 10-32	2
25	18DOR04	CUP-STAND ENCORE 29 R1	SUPPORT À VERRE ENCORE 29 R1	1
26	99FUR82	WHITE 6" NYLON CABLE TIE	ATTACHE DE NYLON	1
27	03HAR06	FLAT WASHER .203 X .750 X .032 SS	RONDELLE PLATE .203 X .750 X .032 SS #10	4

DOOR ASSY EMBLEM
P-A PORTE EMBLEM

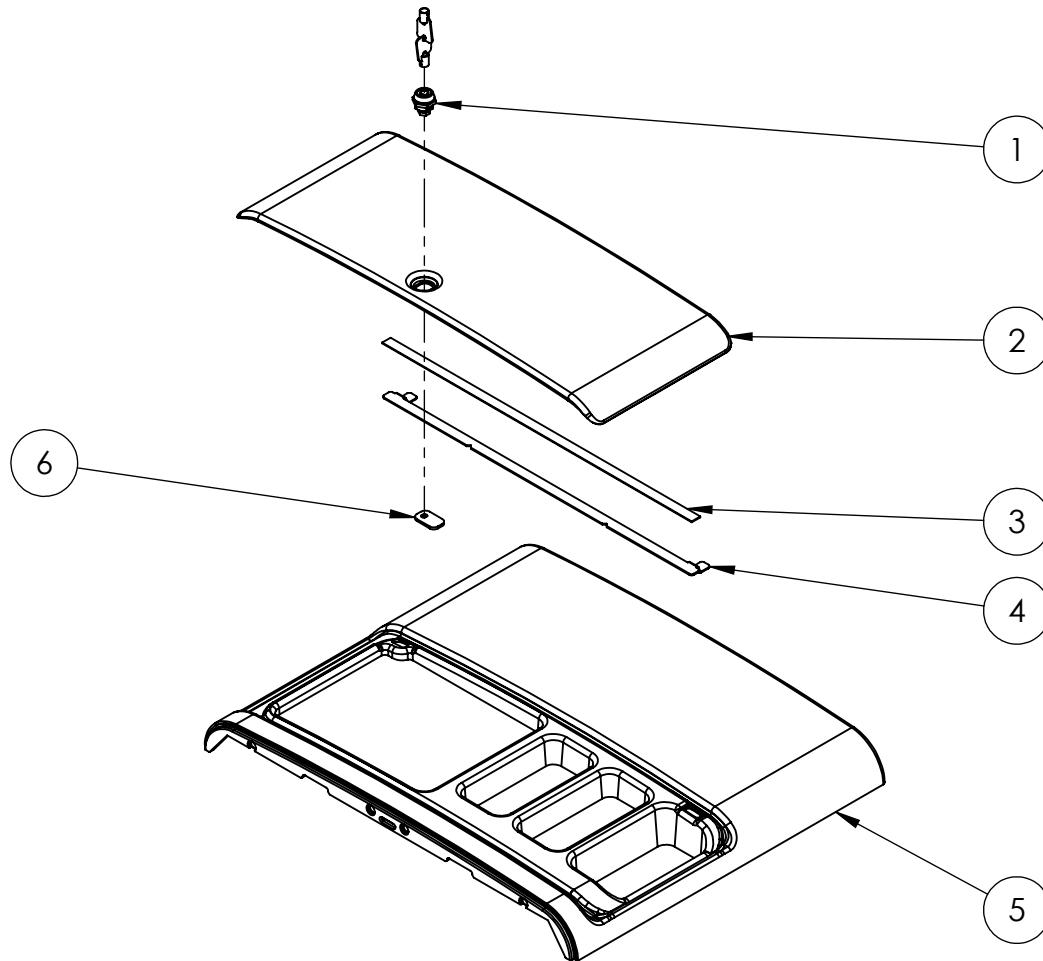


DOOR ASSY EMBLEM P-A PORTE EMBLEM

# ITEM	# PIECE	ENGLISH DESCRIPTION	DESCRIPTION FRANCAISE	QTY/QTE
1	21DOR03	FENETRE GRAINS PORTE EMBLEM	WINDOW EMBLEM DOOR	1
2	21ACC02	TOUCHSCREEN 18,5" ENCORE 29	ECRAN TACTILE 18,5" ENCORE 29	1
3	21DOR02	STAINLESS STEEL PLATE EMBLEM FASCIA	FACADE ACIER INOXYDABLE PORTE EMBLEM	1
4	21CAB02	CUP STAND EMBLEM	SUPPORT A VERRE EMBLEM	1
5	21CAB01	DRIP TRAY GRILL EMBLEM	GRILLE BAC A LIQUIDE EMBLEM	1
6	21DOR05	DRIP TRAY EMBLEM	BAC A LIQUIDE EMBLEM	1
7	21DOR04	FASCIA EMBLEM	FASCIA EMBLEM	1
8	21DOR08	COFFEE CUP LIGHT DIFFUSER EMBLEM	COFFEE CUP LIGHT DIFFUSER EMBLEM	2
9	21ELN06	LED PCB CUP EMBLEM	CIRCUIT LED TASSE EMBLEM	2
10	17HAR04	NUT 10-32 SS TOOTHED 1/4" LG	ECROU 10-32 SS DENTELÉ 1/4" LG	4
11	21DOR07	LOWER LIGHT DIFFUSER EMBLEM	DIFFUSEUR LUMIERE BAS EMBLEM	2
12	21ELN05	LED PCB BOTTOM EMBLEM	CIRCUIT LED BAS EMBLEM	2
13	21ELN03	LED PCB TOP LEFT EMBLEM	CIRCUIT LED HAUT GAUCHE EMBLEM	1
14	17DOR04	DOOR'S HINGE ENCORE 29	PENTURE DE PORTE ENCORE 29	2
15	21DOR01	DOOR SUPPORT PLATE EMBLEM	PLAQUE SUPPORT DE PORTE EMBLEM	1
16	17CAB48	STOPPER PIN	BUTOIR	1
17	15HAR05	SCREW 8-32 X 3/8" PAN PHIL ZN TOOTH LOCH	VIS 8-32 X 3/8" PAN PHIL ZN ROND INTEG	8
18	17DOR05	DOOR ACCESS PLATE ENCORE 29	PLAQUE ACCES PORTE ENCORE 29	1
19	96HAR06	SCREW 6-32 X 3/8 TRUSS PHIL SS	VIS 6-32 X 3/8" TRUSS PHIL SS	36
20	18VRA01	SILICONE SHEATH 3/4"ID 7/8"OD BLACK	GAINÉ SILICONE 3/4"ID 7/8"OD NOIR	1
21	96HAR31	SNAP BUSHING 1" WITH HOLE	BOUCHON INSTANTANE 1" AVEC TROU	2
22	18DOR07	DOOR WIRES FISHER ENCORE 29 R1	PASSE FIL PORTE ENCORE 29 R1	1
23	21ELN04	LED PCB TOP RIGHT EMBLEM	CIRCUIT LED HAUT DROIT EMBLEM	1
24	21DOR06	UPPER LIGHT DIFFUSER EMBLEM	DIFFUSEUR LUMIERE HAUT EMBLEM	2
25	18CAB24	PLASTIC HOOD LOCK PIN ENCORE 29 R1	BARRURE DE CAPOT ENCORE 29 R1	1
26	96HAR44	NYLON LOCK NUT 6-32	ECROU 6-32 AUTOBLOQUANT ZN & NYLON	3
27	03HAR06	FLAT WASHER .203 X .750 X .032 SS	RONDELLE PLATE .203 X .750 X .032 SS #10	4
28	21ELC08	BRIDGE CABLE FOR EMBLEM LIGHTNING	CABLE PONT CIRCUITS ECLAIRAGE EMBLEM	1
29	21ELC09	CUP LIGHTNING CABLE FOR EMBLEM	CABLE CIRCUITS ECLAIRAGE TASSE EMBLEM	1

# ITEM	# PIECE	ENGLISH DESCRIPTION	DESCRIPTION FRANÇAISE	QTY/QTE
1	17DOR19	#R32687 LOCK 13 MM LEFT	SERRURE (#R32687) 13MM GAUCHE	1
2	17CAB50	INGREDIENTS FILLING DOOR	PANNEAU DE REMPLISSAGE DES INGREDIENTS	1
3	17FUR04	DOUBLE-SIDED TAPE	RUBAN ADHESIF DOUBLE FACE	1
4	17CAB64	INGREDIENTS FILLING DOOR BRACKET	BAGUETTE POUR PANNEAU REMPL. INGREDIENTS	1
5	18CAB30	PLASTIC HOOD ENCORE 29 R1	CAPOT ENCORE 29 R1	1
6	16CAN04	BEANS CANISTER LATCH	LOQUET DU CONTENANT A GRAINS	1

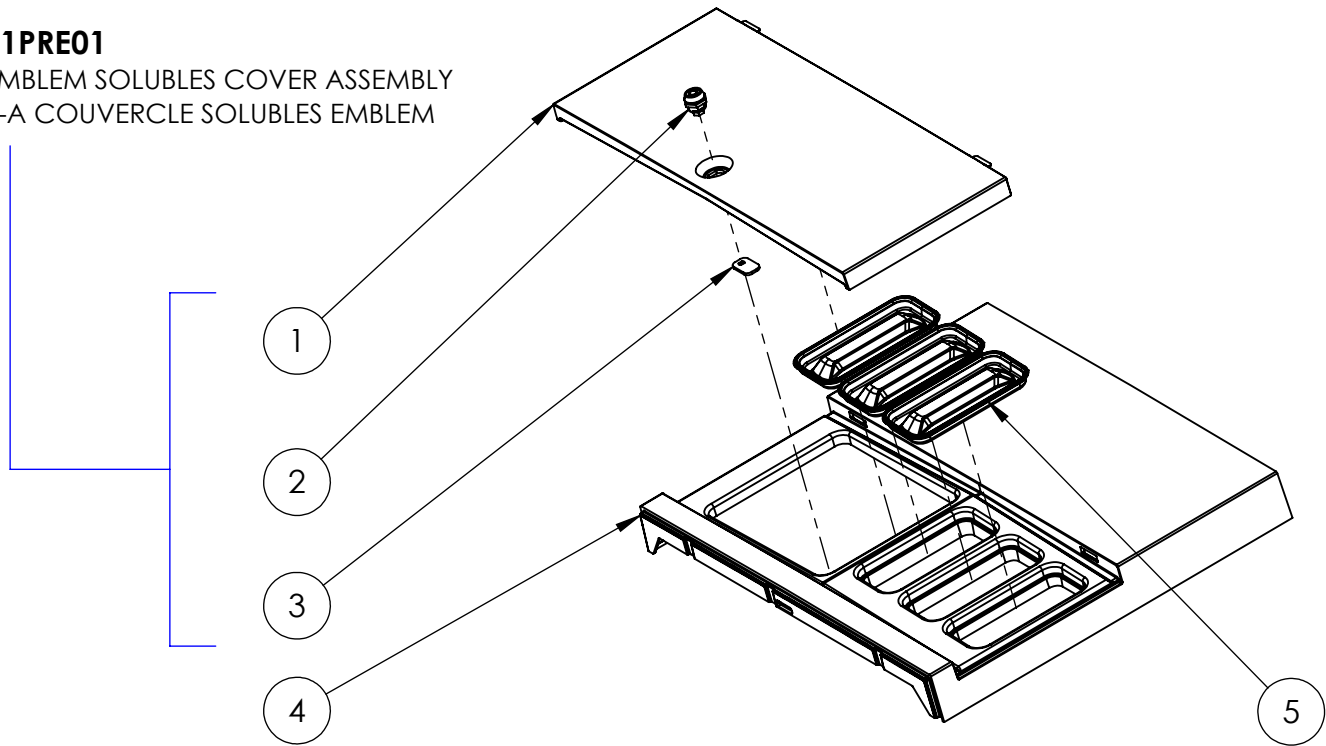
18PRE17
 PLASTIC HOOD ASSY ET R1
 P-A CAPOT ENCORE 29 R1



# ITEM	# PIECE	ENGLISH DESCRIPTION	DESCRIPTION FRANÇAISE	QTY/QTE
1	21CAB04	TOP LID	COUVERCLE SUPERIEUR	1
2	PEDOR03	#R32687 LOCK 13 MM	SERRURE (#R32687) 13 MM	1
3	16CAN04	EL 3 BEANS CANISTER HOLDING BRACKET	PLAQUE RETENUE CONTENANT 3 GRAINS EL	1
4	21CAB03	PLASTIC HOOD EMBLEM	CAPOT EMBLEM	1
5	21CAB05	POWDER BOX COVER EMBLEM	CAPUCHON SOLUBLES EMBLEM	3

21PRE02
PLASTIC HOOD ASSY EMBLEM
P-A CAPOT EMBLEM

21PRE01
EMBLEM SOLUBLES COVER ASSEMBLY
P-A COUVERCLE SOLUBLES EMBLEM



18LAB26
ANTENNA POSITION LABEL (ROUND)
DECALQUE POSITION ANTENNE (ROND)

18CAB50
ENCORE 29 R1 DOUBLE ANTENNA BRACKET
SUPPORT D'ANTENNE DOUBLE ENCORE 29 R1

18CAB13
GRINDER HIDING PLATE ENCORE 29 R1
CACHE MOULIN ENCORE 29 R1

18ELN06
LTE ANTENNA FOR WITTENBORG 3M WIRE
ANTENNE LTE FIL 3M WITTENBORG

17PRE06
SUB-ASSEMBLY BREW GROUP SUPPORT
BREWER BRACKET ASSY / P-A SUPPORT INFUSEUR ENCORE 29

99CAB22R
PLATINUM BREWER ASSY
ASSEMBLAGE INFUSEUR PLATINUM

05CAB19C
FRONT PANNEL BRACKET FOR BREWER
SUPPORT PANNEAU AVANT PR INFUSEUR

17PRE24
FRONT PANEL ET
P-A PANNEAU AVANT ET

17CAB37
INJECTED SPOUT ENCORE 29
BEC VERSEUR INJECTÉ ENCORE 29

17CHO04
WHIPPER ELBOW ENCORE 29
COUDE SORTIE FOUETTEUR ENCORE 29

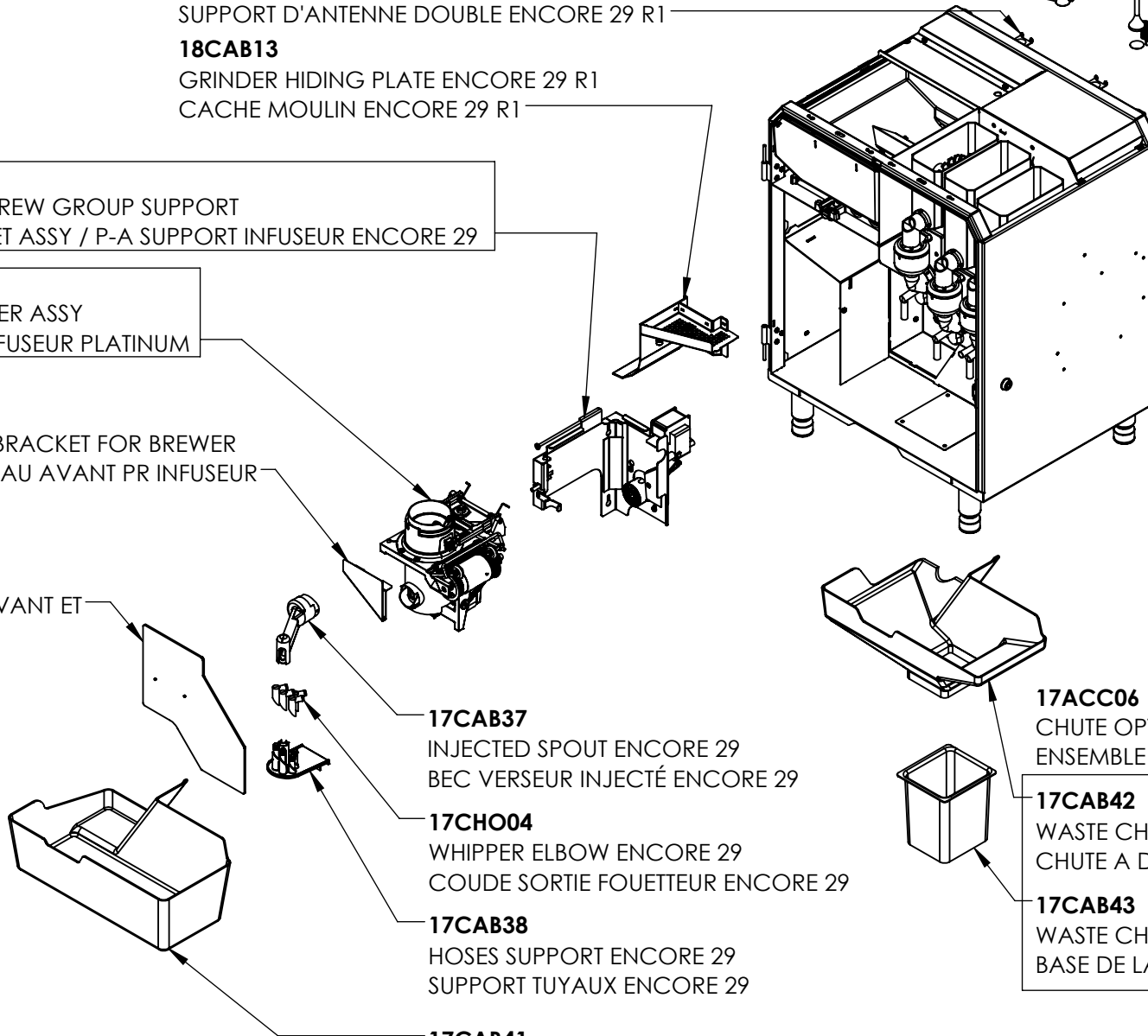
17CAB38
HOSES SUPPORT ENCORE 29
SUPPORT TUYAUX ENCORE 29

17CAB41
WASTE BIN ENCORE 29
BAC A RESIDUS ENCORE 29

17ACC06
CHUTE OPTION FOR ENCORE 29
ENSEMBLE DE CHUTE POUR ENCORE 29

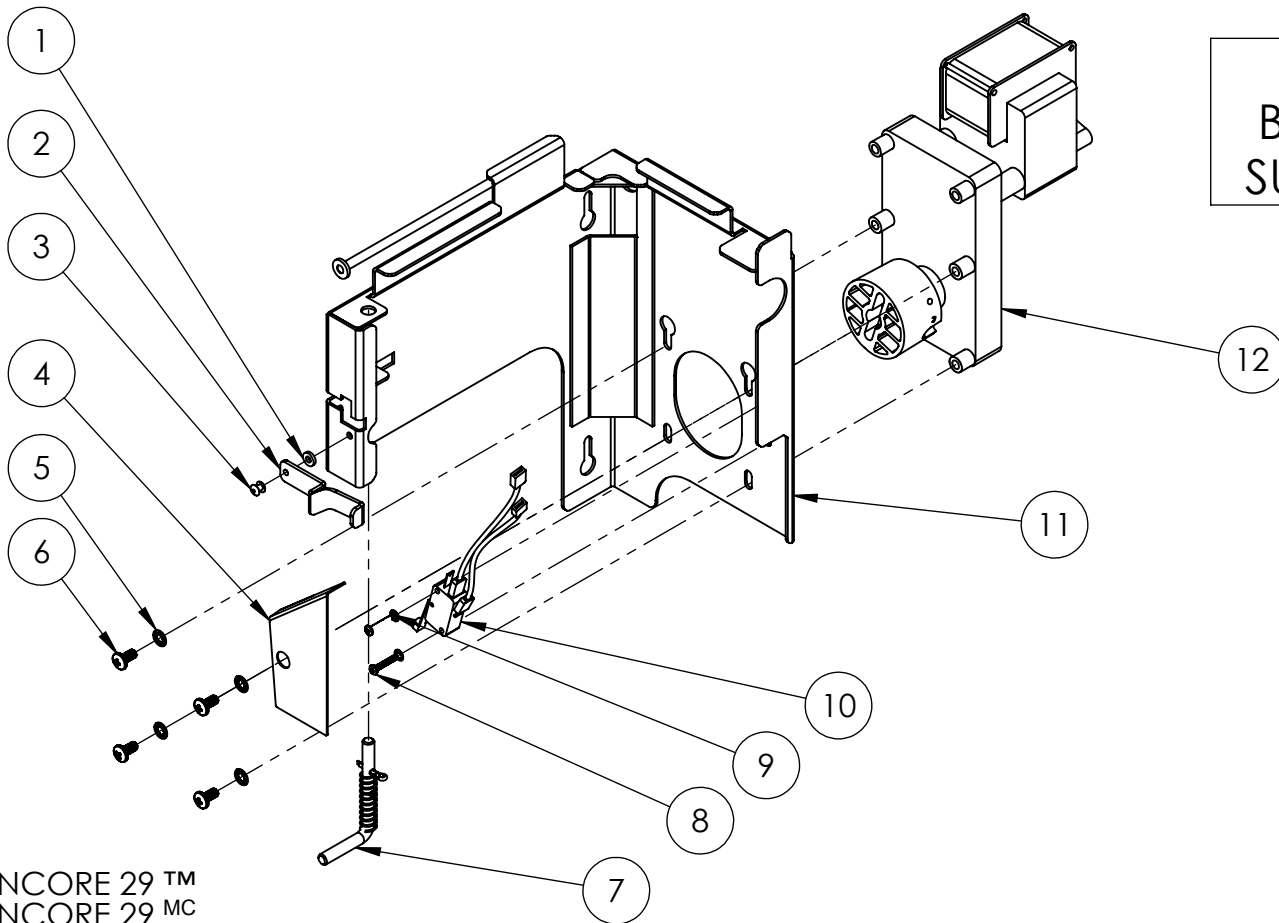
17CAB42
WASTE CHUTE ENCORE 29
CHUTE A DECHET ENCORE 29

17CAB43
WASTE CHUTE BASE ENCORE 29
BASE DE LA CHUTE A DECHETS ENCORE 29



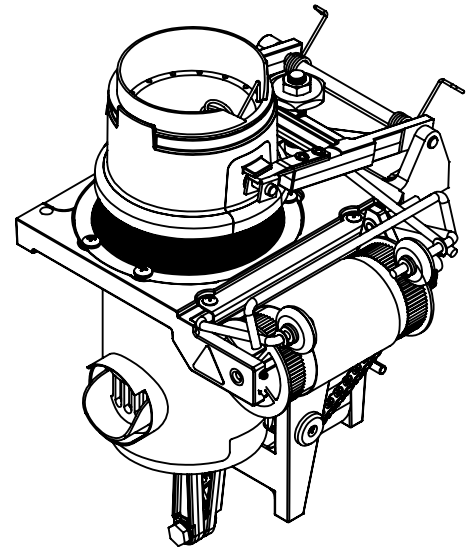
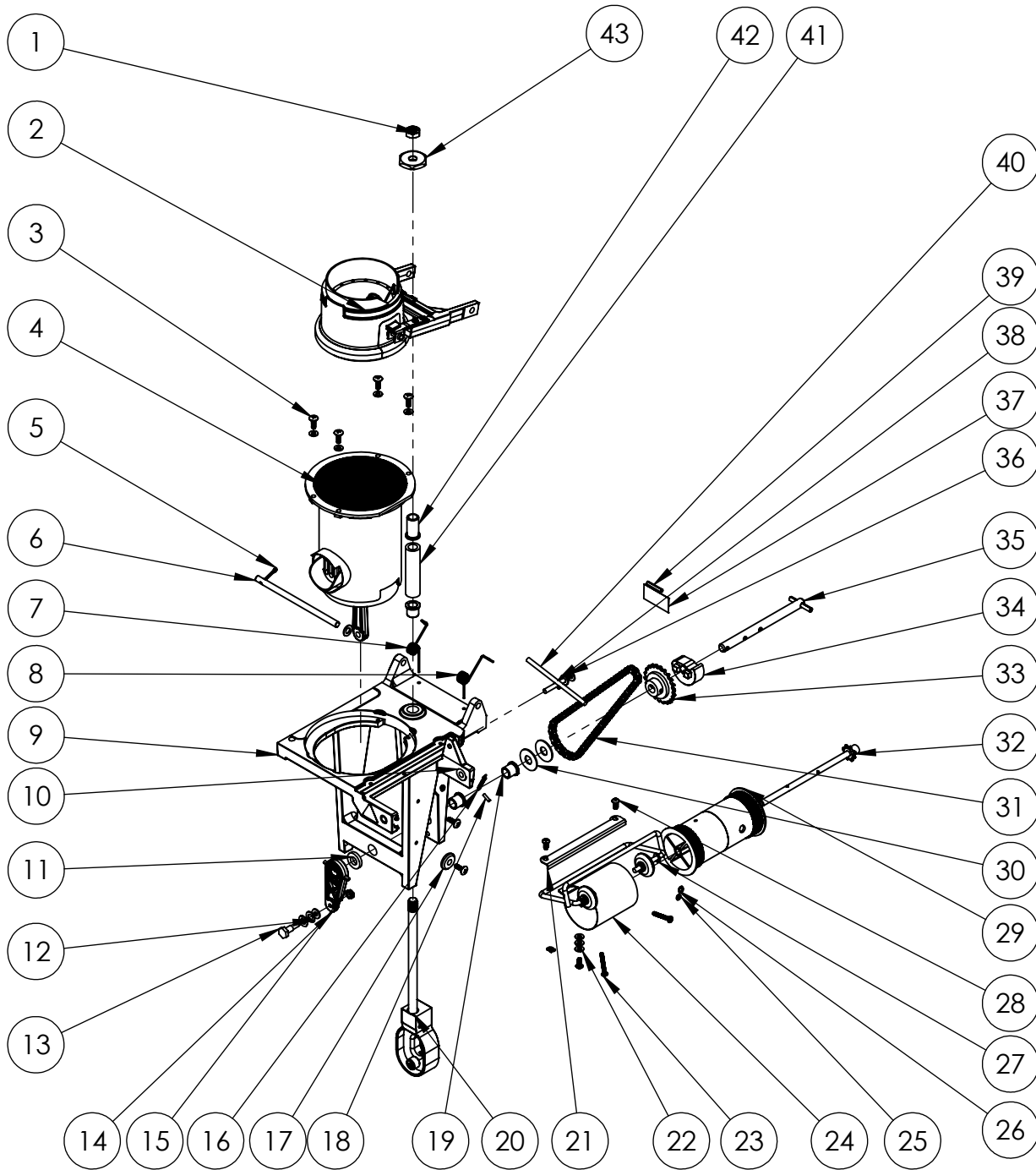
ENCORE 29™
ENCORE 29™
EMBLEM™
EMBLEM™

# ITEM	# PIECE	ENGLISH DESCRIPTION	DESCRIPTION FRANÇAISE	QTY/QTE
1	06HAR02	NYLON WASHER .140 X .312 X .062	RONDELLE PLATE .140 X .312 X .062 NYLON	1
2	17CAB54	SPOUT SUPPORT ENCORE 29	SOUTIEN BEC VERSEUR ENCORE 29	1
3	96HAR33	1/8" X 3/8" SS RIVET	RIVET 1/8" X 3/8" SS	1
4	96BRM06	SWITCH PROTECTOR	PROTECTEUR INTERRUPTEUR	1
5	96HAR19	TOOTH LOCKWASHER #10 (INTERNAL)	RONDELLE DE RETENUE #10(INTERNE)	4
6	96HAR56	SCREW 10-32 X 3/8" PAN PH SS	VIS 10-32 X 3/8" PAN PH SS	4
7	96ASS03	SPRING LOCK S-A (BREWER BRACKET)	S-A LOQUET A RESSORT	1
8	96HAR01	SCREW 4-40 X 5/8" PAN PH SS	VIS 4-40 X 5/8" PAN PH SS	2
9	96HAR04	TOOTH LOCKWASHER #4 (INTERNAL)	RONDELLE DE RETENUE #4 (INTERNE)	2
10	06ASS03	CAM SWITCH ASSY WITH 2 WIRES	S-A INTERRUPTEUR COUPLEUR A 2 FILS	1
11	PEBRM01	LA PETITE BREWER BRACKET	SUPPORT INFUSEUR LA PETITE	1
12	96ASS22	BREWER MOTOR S-A	S-A MOTEUR INFUSEUR	1



17PRE06
 BREWER BRACKET ENCORE 29
 SUPPORT INFUSEUR ENCORE 29

ENCORE 29™
 ENCORE 29 MC
 EMBLEM™
 EMBLEM MC



99CAB22R
 PLATINUM BREWER ASSY
 ASSEMBLAGE INFUSEUR PLATINUM

ENCORE 29™
 ENCORE 29 MC
 EMBLEM™
 EMBLEM MC

99CAB22R

PLATINUM BREWER ASSY ASSEMBLAGE INFUSEUR PLATINUM

# ITEM	# PIECE	ENGLISH DESCRIPTION	DESCRIPTION FRANÇAISE	QTY/QTE
1	96BRE56	NUT 3/8"-24 X 7/32" THICK SS	ECROU 3/8"-24 X 7/32 EPAIS SS	1
2	12ASS02	PLATINUM BREWER "H" FRAME ASSY	S-A CHASSIS EN "H" PLATINUM	1
3	96HAR49	SCREW 8-32 X 1/2" TRUSS PH SS	VIS 8-32 X 1/2" TRUSS PHIL SS	6
4	06SAS101	PISTON & CYLINDER S-A	S-A PISTON ET CYLINDRE 9 OZ	1
5	96HAR116	COTTER PIN 3/32 X 1/2" SS	GOUPILLE FENDUE 3/32 X 1/2" SS	1
6	98BRE69	H-FRAME SHAFT	ARBRE DU CHASSIS EN "H"	1
7	98BRE67	LEFT SIDE LIFT SPRING	RESSORT A LEVIER GAUCHE	1
8	98BRE68	RIGHT SIDE LIFT SPRING	RESSORT A LEVIER DROIT	1
9	12BRE02	PLATINUM BREWER MAIN FRAME	CHASSIS PRINCIPAL	1
10	96HAR117	MAIN FRAME SMALL BUSHING	PETIT PALIER DU CHASSIS (BUSHING)	2
11	10BRE01	UHMW FLAT WASHER .380 X .750 X .130	RONDELLE PLATE .380 X .750 X .130 UHMW	1
12	96HAR125	FLAT WASHER .265 X .500 X .030 SS	RONDELLE PLATE .265 X .500 X .030 SS	3
13	10BRE02	SHOULDER SCREW	VIS A EPAULE	1
14	98SAS103-I	CRANK ARM S-A INJECTED	S-A BIELLE INJECTE	1
15	96HAR102	HEX 10-24 LOCKNUT NYLON INSERT & SS	DEMI ECROU 10-24 AUTOBLOQUANT SS & NYLON	1
16	98BRE05	EXTENSION SPRING (GOLD - PLATINUM & VKI)	RESSORT D'EXTENSION (GOLD - PLATINUM & VKI)	2
17	96HAR164	SHOULDER WASHER (# 121C)	RONDELLE D'EPAULEMENT (# 121C)	1
18	96HAR113	SPRING PIN 3/32 X 5/8	RESSORT EN TIGE 3/32" X 5/8"	2
19	96HAR105	LARGE BUSHING	GRAND PALIER DU CHASSIS (BUSHING)	3
20	SBSAS1135	CAM HOUSING ASSY	S-A BOITIER DE LA CAME	1
21	99BRE06R	PLATINUM YOKE RETAINING PLATE	PLAQUE DE RETENUE, ETRIER PLATINUM	1
22	96HAR124	FLAT WASHER #8 .170 X .375 X .032 SS	RONDELLE PLATE .170 X .375 X .032 SS #8	7
23	03HAR05	SCREW 6-32 X 1" PAN PH SS	VIS 6-32 X 1" PAN PH SS	2
24	98BRE76	TAPE DRUM GUIDE BAND	GUIDE TAMBOUR PAPIER FILTRE	1
25	06HAR116	SPRING WASHER #6 SS	RONDELLE A RESSORT #6 SS	3
26	96HAR10	TOOTH LOCKWASHER #6 (INTERNAL)	RONDELLE DE RETENUE #6 (INTERNE)	2
27	06SAS134	YOKE S-A (PLATINUM)	S-A ETRIER (PLATINUM)	1
28	96HAR101	SCREW 8-32 X 3/8" ROUND PH SS	VIS 8-32 X 3/8" ROUND PH SS	3
29	99SAS175	DRUM ASSY	S-A TAMBOUR	1
30	96HAR104	FLAT WASHER .390 X 1.00 X .047 SS	RONDELLE PLATE .390 X 1.00 X .047 SS	2
31	SBBRE009	CHAIN 68 PITCHES CONNECTING LINK INCLUDE	CHAINE 68 MAILLES CONNECTEUR INCLUS	1
32	SBSAS0104-I	INJECTED DRUMS SHAFT ASSY	S-A ARBRE TAMBOURS INJECTES	1
33	SBSAS0100	CLUTCH SPROCKET S-A	S-A EMBRAYAGE DE LA CAME	1
34	SBBRE030	CAM	CAME	1
35	98SAS108	MAIN SHAFT S-A	S-A ARBRE PRINCIPAL	1
36	96HAR108	FLAT WASHER .203 X .437 X .032 SS	RONDELLE PLATE .203 X .437 X .032 SS	3
37	16FUR08	ETIQUETTE POLY BLANC 1,5" X .75" VOID	ETIQUETTE POLY BLANC 1,5" X .75" VOID	1
38	96HAR100	RETAINING RING 3/16 (ZINC)	BAGUE DE RETENUE 3/16 ("C" CLIP) (ZINC)	1
39	96HAR103	SPRING PIN 1/8 X 7/8 SS	RESSORT EN TIGE 1/8" X 7/8" SS	1
40	99BRE74R	PLATINUM LIFT BAR	BRAS DE LEVIER PLATINUM	1
41	18BRE01	BREWER SLEEVE 0,625" X 2,450"	MANCHON POUR INFUSEUR 0,625" X 2,450"	1
42	15HAR06	BUSHING (LONG)	PALIER LONG	1
43	14BRE01	HEX NUT 3/8"-24 X 1 1/8" X 3/16" SS	ÉCROU INFUSEUR MACHINÉ	1

18ELC05
CABLE DETECTION
DEBORDEMENT

18CAB25
DOOR ALIGNMENT HOOK ENCORE 29 R1
ALIGNEUR DE PORTE ENCORE 29 R1

18CAB22
OVERFLOW TRAY ENCORE 29 R1
BAC DE RÉCUPÉRATION D'EAU ET R1

18CAB26
DOOR LATCH ENCORE 29 R1
LOQUET PORTE ENCORE 29 R1

17CAN02-01
BEANS CANISTER BIN ENCORE 29
RÉSERVOIR CONTENANT À GRAINS ENCORE 29

18CAB12
SPACER FOR SOLUBLE CANISTERS ET R1
ESPACEUR CONTENANTS SOLUBLE ET R1

17CAN12
CANISTER 78 MM X165 MM X 147 MM
CONTENANT 78 MM X165 MM X 147 MM

17CAN11
CANISTER 78 MM X165 MM X 195 MM
CONTENANT 78 MM X165 MM X 195 MM

18CAN01
CANISTER 78 MM X165 MM X 175 MM
CONTENANT 78 MM X165 MM X 180 MM

PECAN21
ELBOW 38 X 53 MM VENTILATED
COUDE 38 X 53 MM VENTILÉ

17CAB24
BEAN CANISTER RAIL ENCORE 29
RAIL CONTENANT A GRAINS ENCORE 29

18CAB40
EK7 R1 BEAN'S FUNNEL
ENTONNOIR À GRAINS EK7 R1

18CAB27
BEAN FUNNEL BRACKET ENCORE 29 R1
PLAQUE SUPPORT ENTONNOIR ENCORE 29 R1

18PRE22
BEANS LIGHTNING CIRCUIT ASSY
P-A SUPPORT DEL GRAINS

18ELC05
CABLE DETECTION
DEBORDEMENT

18CAB25
DOOR ALIGNMENT HOOK ENCORE 29 R1
ALIGNEUR DE PORTE ENCORE 29 R1

18CAB22
OVERFLOW TRAY ENCORE 29 R1
BAC DE RÉCUPÉRATION D'EAU ET R1

18CAB26
DOOR LATCH ENCORE 29 R1
LOQUET PORTE ENCORE 29 R1

17CAN02-01
BEANS CANISTER BIN ENCORE 29
RÉSERVOIR CONTENANT À GRAINS ENCORE 29

18CAB12
SPACER FOR SOLUBLE CANISTERS ET R1
ESPACEUR CONTENANTS SOLUBLE ET R1

17CAN12
CANISTER 78 MM X165 MM X 147 MM
CONTENANT 78 MM X165 MM X 147 MM

17CAN11
CANISTER 78 MM X165 MM X 195 MM
CONTENANT 78 MM X165 MM X 195 MM

17CAN11
CANISTER 78 MM X165 MM X 175 MM
CONTENANT 78 MM X165 MM X 195MM

18PRE22
BEANS LIGHTNING CIRCUIT ASSY
P-A SUPPORT DEL GRAINS

PECAN21
ELBOW 38 X 53 MM VENTILATED
COUDE 38 X 53 MM VENTILÉ

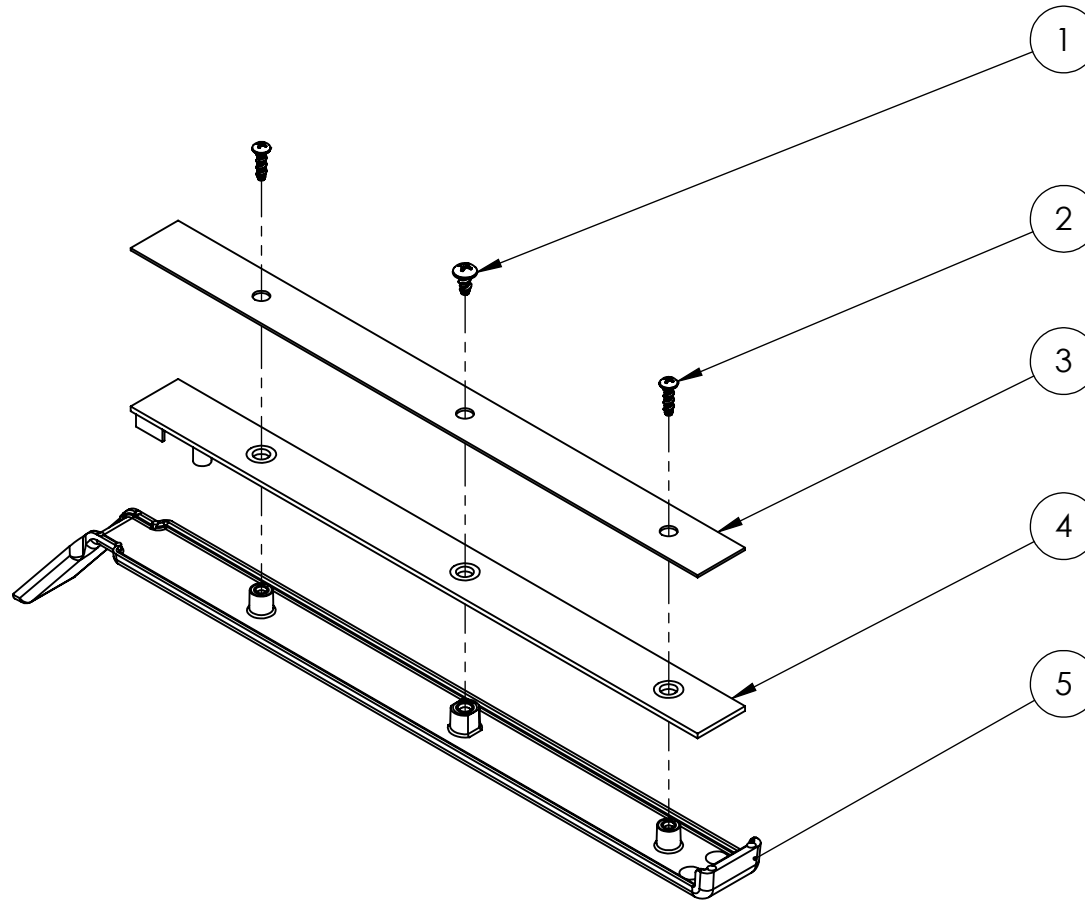
17CAB24
BEAN CANISTER RAIL ENCORE 29
RAIL CONTENANT A GRAINS ENCORE 29

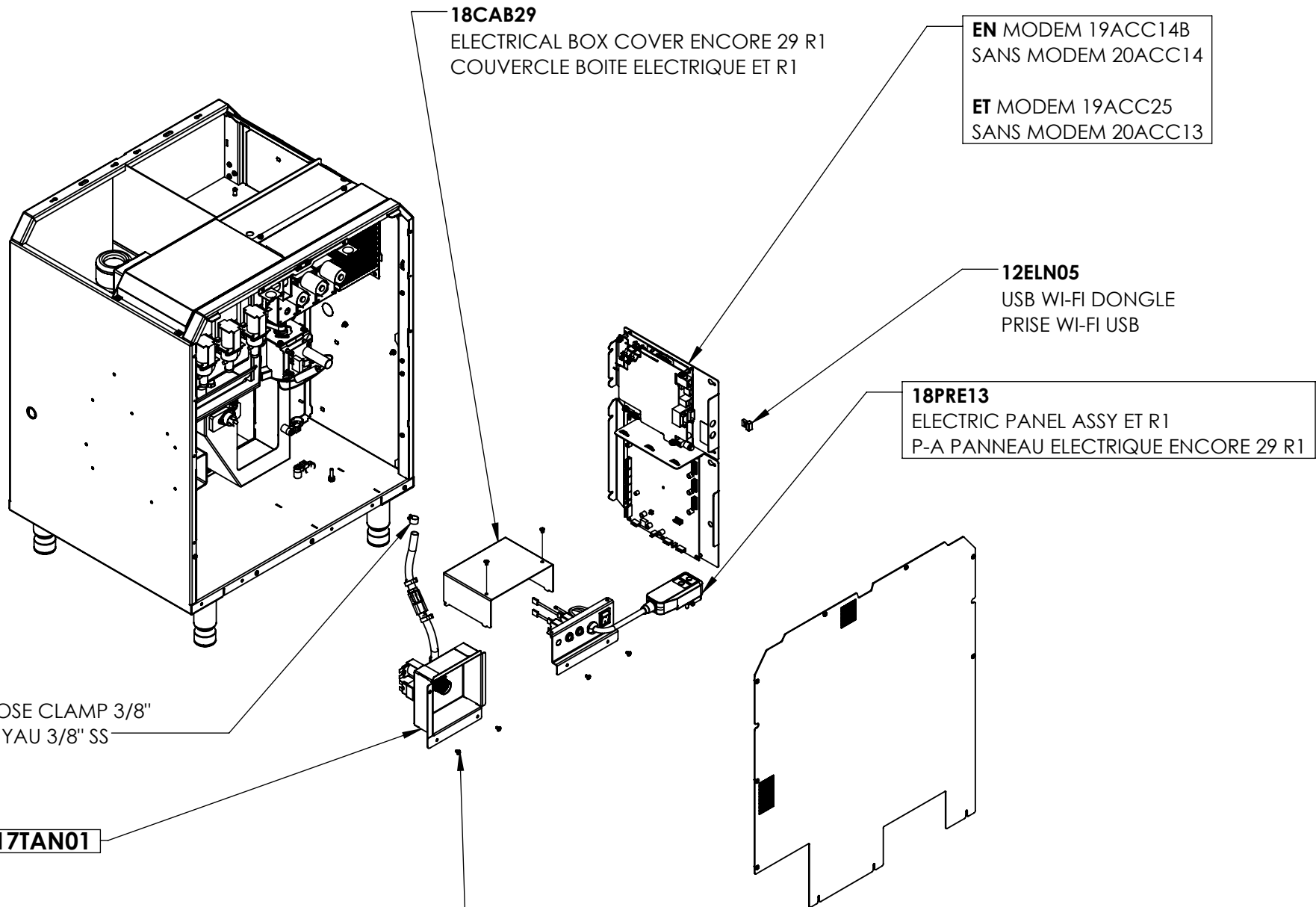
18CAB27
BEAN FUNNEL BRACKET ENCORE 29 R1
PLAQUE SUPPORT ENTONNOIR ENCORE 29 R1

18CAB40
EK7 R1 BEAN'S FUNNEL
ENTONNOIR À GRAINS EK7 R1

18PRE22
BEANS LIGHTNING
CIRCUIT ASSY
P-A SUPPORT DEL
GRAINS

# ITEM	# PIECE	ENGLISH DESCRIPTION	DESCRIPTION FRANÇAISE	QTY/QTE
1	18HAR06	SCREW 6-19 X 1/4" PAN PH ZN SELF-TAPPING	VIS 6-19 X 1/4" PAN PH ZN AUTO FILET	1
2	18HAR05	SCREW 4-24 X 3/8" PAN PH SS SELF-TAPPING	VIS 4-24 X 3/8" PAN PH SS AUTO FILET	2
3	18CAB38	ET R1 BEANS LIGHTNING CIRCUIT ISOLATION	ISOLANT CARTE DEL GRAINS ET R1	1
4	17ELN15	BEANS LIGHTING CIRCUIT	CIRCUIT ECLAIRAGE GRAINS	1
5	18CAB03	BEAN LED SUPPORT	SUPPORT DEL GRAIN	1





18CAB29
 ELECTRICAL BOX COVER ENCORE 29 R1
 COUVERCLE BOITE ELECTRIQUE ET R1

EN MODEM 19ACC14B
 SANS MODEM 20ACC14

ET MODEM 19ACC25
 SANS MODEM 20ACC13

12ELN05
 USB WI-FI DONGLE
 PRISE WI-FI USB

18PRE13
 ELECTRIC PANEL ASSY ET R1
 P-A PANNEAU ELECTRIQUE ENCORE 29 R1

13HAR02
 STAINLESS HOSE CLAMP 3/8"
 COLLET A TUYAU 3/8" SS

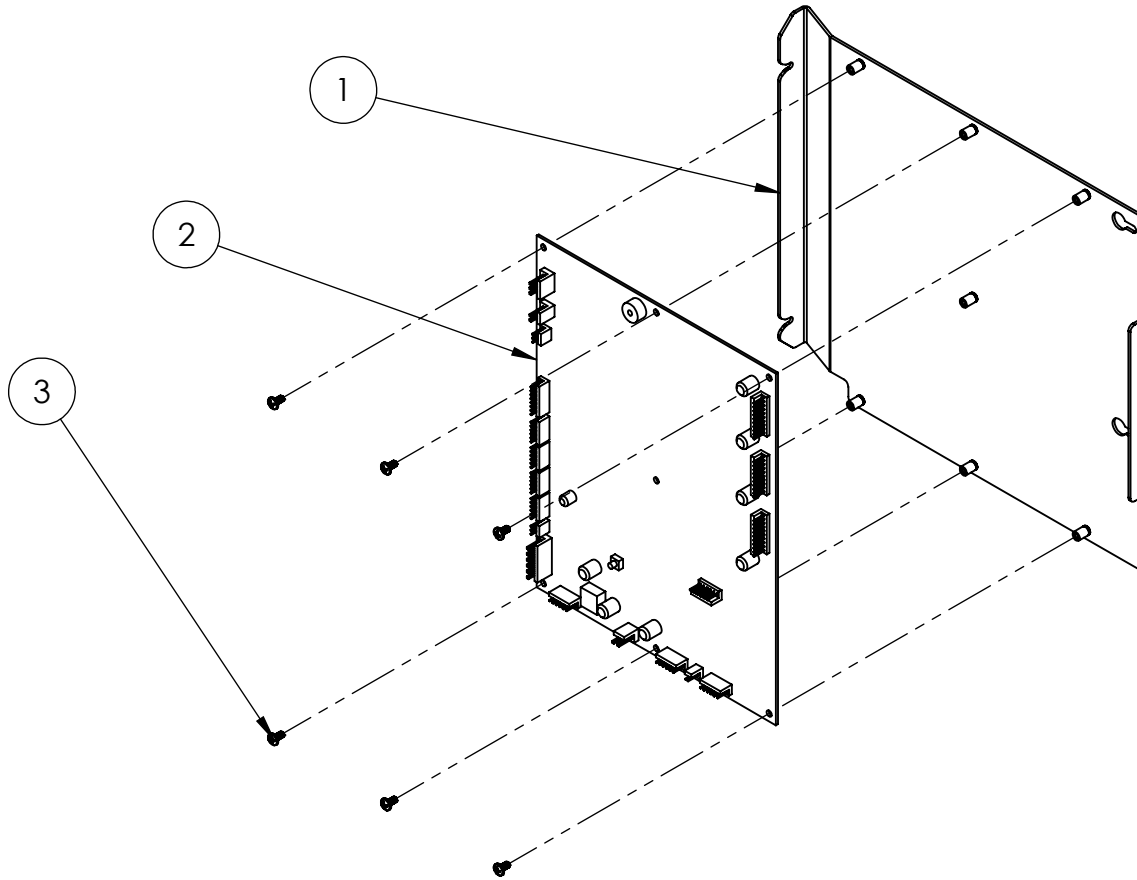
17TAN01

96HAR05
 6-32 X 1/4" TRUSS PH SS
 VIS 6-32 X 1/4" TRUSS PHIL SS 304

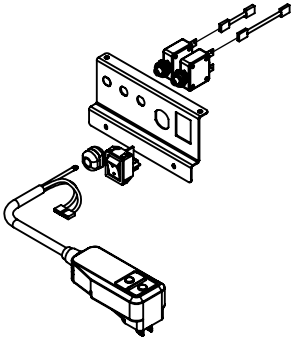
ENCORE 29™
 ENCORE 29 MC
 EMBLEM™
 EMBLEM MC

18PRE09
MAIN BOARD & BRACKET
ASSY ET R1
P-A CARTE PRINCIPALE
ENCORE 29 R1

# ITEM	# PIECE	ENGLISH DESCRIPTION	DESCRIPTION FRANÇAISE	QTY/QTE
1	18CAB18	MAIN BOARD BRACKET ET R1	SUPPORT CARTE ELECTRONIQUE ET R1	1
2	18ACC08	MAIN BOARD ENCORE 29	CARTE ELECTRONIQUE ENCORE 29	1
3	PEHAR01	SCREW 6-32 X 1/4 PAN PHIL ZN THREAD-ROLL	VIS 6-32 X 1/4" PAN PHIL ZN THREAD ROL	6

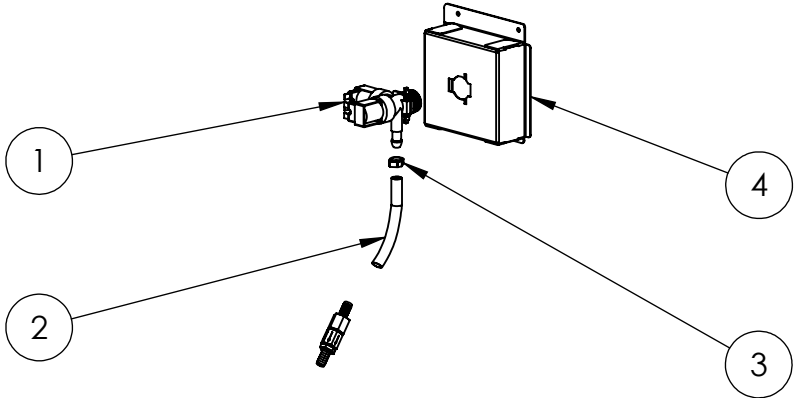


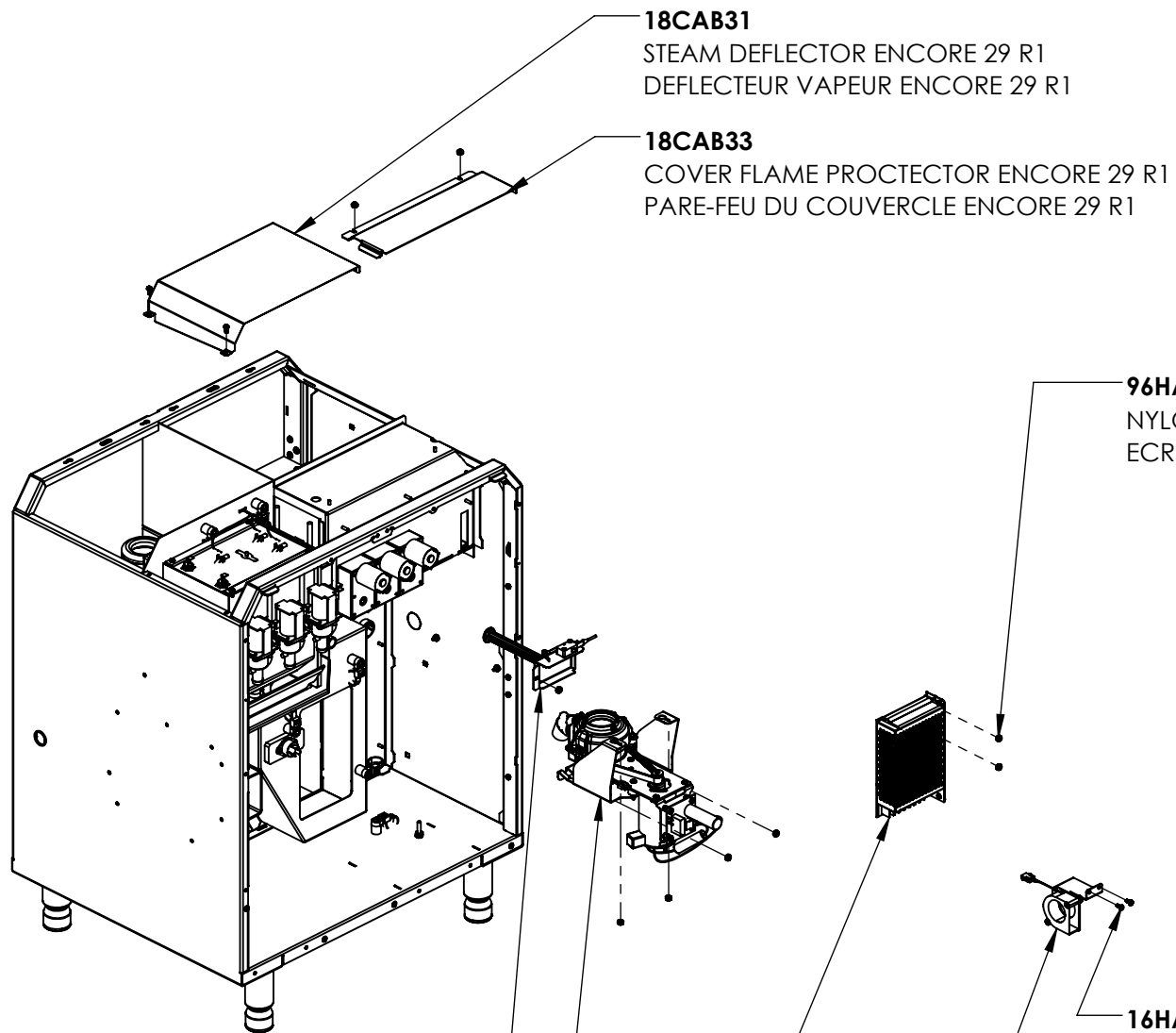
18PRE13
 ELECTRIC PANEL ASSY ET R1
 P-A PANNEAU ELECTRIQUE
 ENCORE 29 R1



18PRE21
 WATER INLET VALVE &
 P-A VALVE ENTREE D'EAU

# ITEM	# PIECE	ENGLISH DESCRIPTION	DESCRIPTION FRANÇAISE	LONGUEUR	QTY/QTE
1	17TAN01	DOUBLE SOLENOID 24 V INLET VALVE	VALVE ENTREE D'EAU SOL. DOUBLE 24 V		1
2	96VRA10	BRAIDED HOSE .375" ID	TUYAU CROISE .375" ID	5.000	2
3	96HAR26	NYLON HOSE CLAMP 2323 (WHITE)	COLLET DE SERRAGE (HO 10)		3
4	18CAB20	INLET WATER VALVE BRACKET ET R	SUPPORT VALVE ENTRÉE D'EAU ET R1		1
5	17TAN02	BACKFLOW PREVENTER	VALVE ANTI-RETOUR		1





18CAB31
 STEAM DEFLECTOR ENCORE 29 R1
 DEFLECTEUR VAPEUR ENCORE 29 R1

18CAB33
 COVER FLAME PROTECTOR ENCORE 29 R1
 PARE-FEU DU COUVERCLE ENCORE 29 R1

96HAR44
 NYLON LOCK NUT 6-32
 ECROU 6-32 AUTOBLOQUANT ZN & NYLON

16HAR02
 SCREW 6-32 X 3/8" PAN PH SS W LOCK WASH
 VIS 6-32 X 3/8" PAN PH SS ROND INTEGEE

18PRE14
 STEAM FAN ASSY ET R1
 P-A VENTILATEUR VAPEUR ENCORE 29 R1

18PRE05
 FILTER PAPER BRACKET ASSY ET R1
 P-A SUPPORT PAPIER FILTRE ENCORE 29 R1

18PRE04
 GRINDER ASSY ET R1
 P-A MOULIN A CAFE ENCORE 29 R1
18ACC19 POUR MODÈLE ET

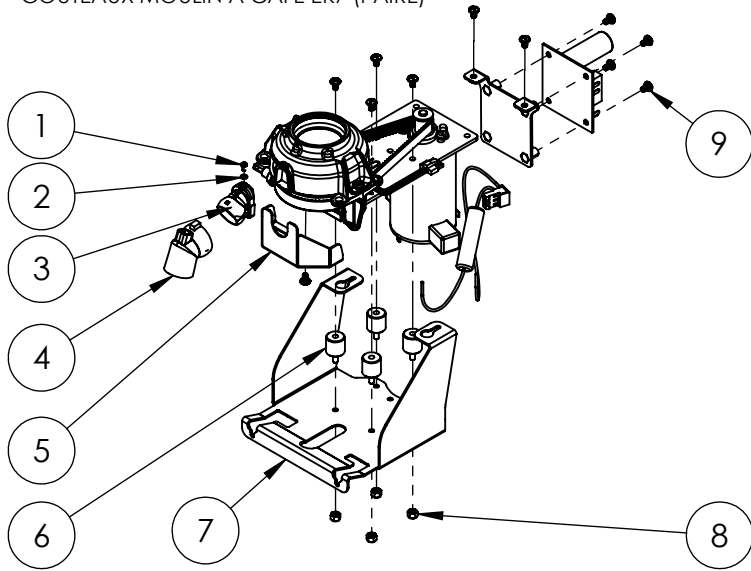
19PRE01
 CM POWER SUPPLY ASSY
 P-A BLOC D'ALIMENTATION CM

ENCORE 29™
 ENCORE 29™
 EMBLEM™
 EMBLEM™

18PRE04

GRINDER ASSY ET R1 P-A MOULIN A CAFE ENCORE 29 R1

18MOT10 (REPLACEMENT PART) (PIÈCE DE REMPLACEMENT)
EK7 BEAN GRINDER BURR (PAIR)
COUTEAUX MOULIN A CAFE EK7 (PAIRE)

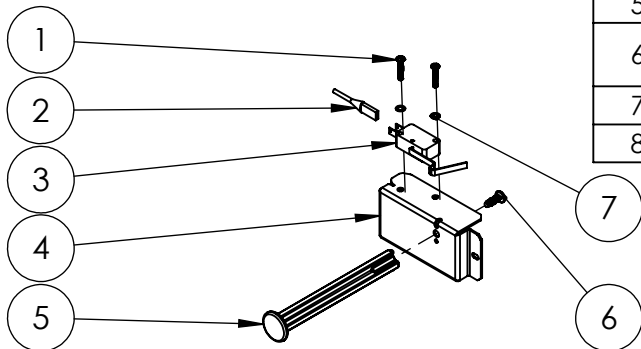


# ITEM	# PIECE	ENGLISH DESCRIPTION	DESCRIPTION FRANÇAISE	QTY/QTE
1	18HAR20	SCREW FOR EK7 GRINDER CHUTE ADAPTOR	VIS ADAPTATEUR CHUTE DU MOULIN EK7	1
2	18HAR21	FLAT WASHER .115 X .209 X .032 SS	RONDELLE PLATE .115 X .209 X .032 SS	1
3	18MOT01	EK7-EK5 COFFEE CHUTE ADAPTOR	ADAPTATEUR CHUTE EK7-EK5	1
4	18MOT08 M	ENCORE 29 COFFEE CHUTE MODIFIED	CHUTE A CAFE ENCORE 29 MODIFIEE	1
5	18MOT06	EK7 GRINDER COFFE CHUTE ADAPT. PLATE	PLAQUE DE RETENUE ADAPTATEUR CHUTE EK7	1
6	07HAR10	RUBBER BUMPER (ANTI- VIBRATION MOUNT)	PATTE ANTI VIBRATION FILETÉ	4
7	18CAB41	EK7 GRINDER BRACKET	SUPPORT MOULIN EK7 R1	1
8	98HAR86	NUT 4MM 0.70 ZINC GR: 8.8	ECROU M4 X .7MM AUTOBLOQUANT ZINC & NYLO	4
9	07HAR08	VIS M4 X 6 MM PAN PHIL SS	SCREW M4 X 6 MM PAN PHIL SS	11

18PRE05

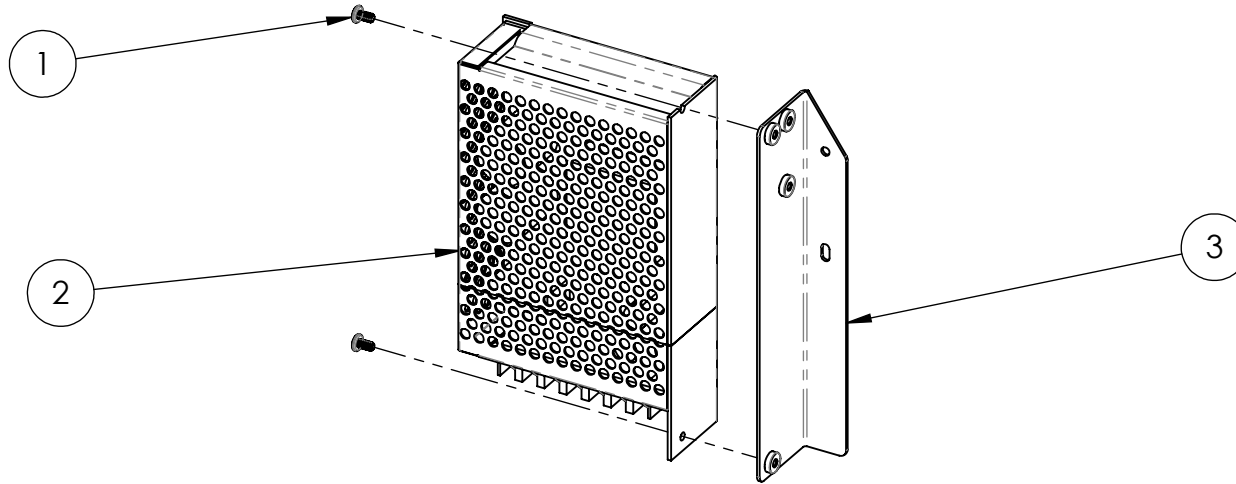
FILTER PAPER BRACKET ASSY ET R1 P-A SUPPORT PAPIER FILTRE ENCORE 29 R1

# ITEM	# PIECE	ENGLISH DESCRIPTION	DESCRIPTION FRANÇAISE	QTY/QTE
1	96HAR01	SCREW 4-40 X 5/8" PAN PH SS	VIS 4-40 X 5/8" PAN PH SS	2
2	08ELC07	PAPER SWITCH CABLE	CABLE DE L'INTERRUPTEUR PAPIER	1
3	96ELC02	PAPER SAFETY SWITCH S-A	S-A INTERRUPTEUR CONTRÔLE PAPIER	1
4	18CAB08	FILTER PAPER BRACKET ENCORE 29 R1	SUPPORT PAPIER FILTRE ENCORE 29 R1	1
5	03CAB06	INJECTED FILTER PAPER ROD	TIGE PAPIER FILTRE INJECTEE	1
6	03HAR04	SCREW #10 X 1/2" PAN PHIL HIGH-LOW ZINC	VIS #10 X 1/2" PAN PHIL HIGH-LOW ZINC	1
7	96HAR04	TOOTH LOCKWASHER #4 (INTERNAL)	RONDELLE DE RETENUE #4 (INTERNE)	2
8	99FUR83	BLACK CABLE NYLON TIE	ATTACHE DE NYLON NOIRE	1

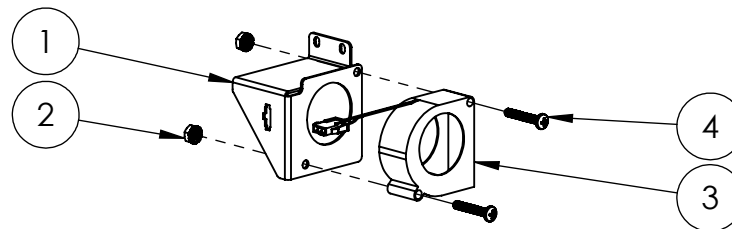


ENCORE 29™ EMBLEM™
ENCORE 29 MC EMBLEM MC

19PRE01 CM POWER SUPPLY ASSY P-A BLOC D'ALIMENTATION CM	# ITEM	# PIECE	ENGLISH DESCRIPTION	DESCRIPTION FRANÇAISE	QTY/ QTE
	1	PEHAR01	SCREW 6-32 X 1/4 PAN PHIL ZN THREAD-ROLL	VIS 6-32 X 1/4" PAN PHIL ZN THREAD ROL	2
	2	21ELC12	24V POWER SUPPLY	BLOC ALIMENTATION 24V	1
	3	19CAB04	CM POWER SUPPLY SUPPORT	SUPPORT BLOC D'ALIMENTATION CM	1



18PRE14 STEAM FAN ASSY ET R1 P-A VENTILATEUR VAPEUR ENCORE 29 R1	# ITEM	# PIECE	ENGLISH DESCRIPTION	DESCRIPTION FRANÇAISE	QTY/QTE
	1	18CAB23	STEAM FAN BRACKET ENCORE 29 R1	SUPPORT VENTILATEUR VAPEUR ET R1	1
	2	18HAR18	8-32 HEX NUT WITH LOCK WASHER	ECROU 8-32 HEXAGONAL SS ROND INTEGREE	2
	3	17ELC13	BLOWER STREAM ET	VENTILATEUR VAPEUR ET	1
	4	03HAR03	SCREW 8-32 X 1" PAN PH SS	VIS 8-32 X 1" PAN PH SS	2



ENCORE 29™
 ENCORE 29™
 EMBLEM™
 EMBLEM™

15MOT02

24V 145 RPM INGREDIENT MOTOR
MOTEUR INGREDIENT 24V 145 RPM

18PRE06

TUBES PASS THROUGH & OVERFLOW DET. ASSY
P-A PASSE-TUBES ET DET. DEBORD. 29 R1

18ACC16

HOT WATER TANK ASSY ET R1
P-A RESERVOIR A EAU ENCORE 29 R1

17TAN23

SIMPLE OUTLET VALVE 24V
VALVE DE SORTIE SIMPLE 24V

96HAR26

NYLON HOSE CLAMP 2323 (WHITE)
COLLET DE SERRAGE (HO 10)

17PRE14

MAIN FAN ASSY
P-A VENTILATEUR PRINCIPAL ET

96HAR44

NYLON LOCK NUT 6-32
ECROU 6-32 AUTOBLOQUANT ZN & NYLON

96VRA11

BROWN TUBING .471 ID X .658 OD
TUYAU BRUN .471 ID X .658 OD
15 3/4"

17PRE17

HOSE 60" + PLUG ASSY
P-A TUYAU VIDANGE 60" + BOUCHON ET

18CAB19

WATER TANK BRACKET ENCORE 29 R1
SUPPORT RÉSERVOIR ENCORE 29 R1

11HAR10

SNAP-IT HOSE CLAMP RANGE .475"-.536"
COLLET DE NYLON .475"-.536"

PEHAR01

THREAD-ROLLING SCREW 6-32 X 1/4 PAN PH Z
VIS 6-32 X 1/4" PAN PHIL ZN THREAD ROL

18CAB10

TRIAC SPACER AND HEAT SINK R1
ESPACEUR ET DISSIPATEUR TRIAC R1

17ELC06

POWER TRIAC
TRIAC DE PUISSANCE

PEHAR15

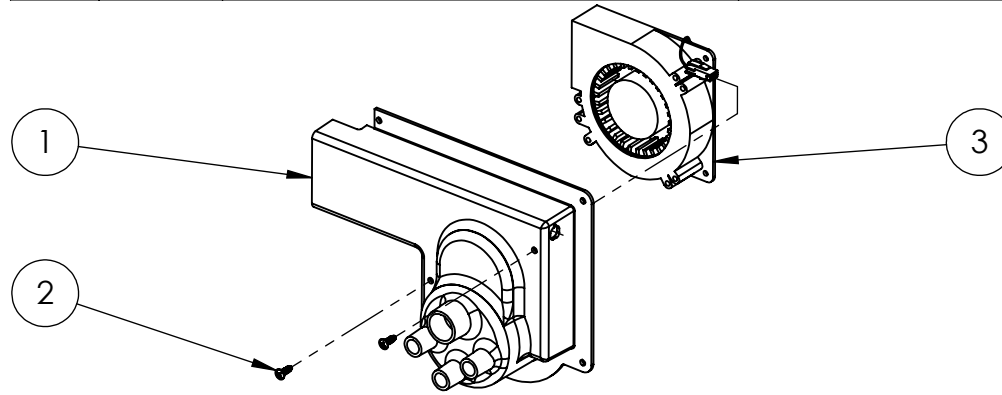
THREAD ROLL SCREW PH PAN ZINC 6-32 X 3/8
VIS 6-32 X 3/8" PAN PH ZN THREAD ROLLING

17PRE14

MAIN FAN ASSY

P-A VENTILATEUR PRINCIPAL ET

# ITEM	# PIECE	ENGLISH DESCRIPTION	DESCRIPTION FRANÇAISE	QTY/QTE
1	17CAB36	VENT BRACKET	SUPPORT VENTILATEUR	1
2	03HAR04	SCREW #10 X 1/2" PAN PHIL HIGH-LOW ZINC	VIS #10 X 1/2" PAN PHIL ZN HIGH-LOW	2
3	17ELC09	MAIN FAN ENCORE 29	VENTILATEUR PRINCIPAL ENCORE 29	1

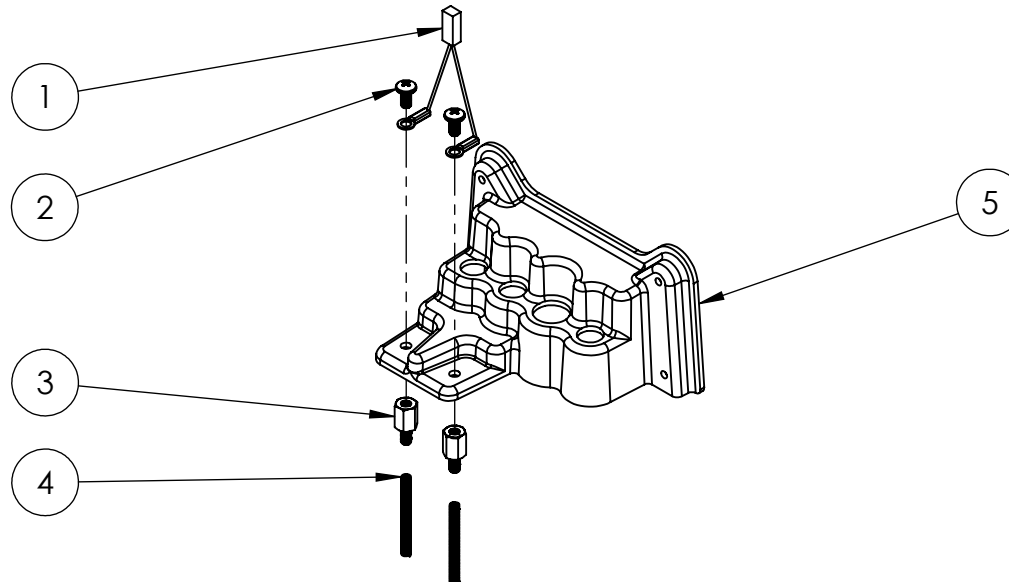


18PRE06

TUBES PASS THROUGH &
OVERFLOW DET. ASSY

P-A PASSE-TUBES ET DET.
DEBORD. 29 R1

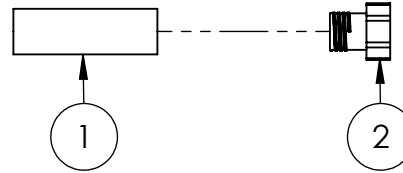
# ITEM	# PIECE	ENGLISH DESCRIPTION	DESCRIPTION FRANÇAISE	QTY/QTE
1	18ELC05	OVERFLOW DETECTION HARNESS ET R1	CABLE DETECTION DEBORDEMENT ET R1	1
2	96HAR56	SCREW 10-32 X 3/8" PAN PH SS	VIS 10-32 X 3/8" PAN PH SS	2
3	18HAR03	MALE-FEM ALU FIXING POST 3/8"	POTEAU DE FIXATION ALU MALE-FEM 3/8"	2
4	18HAR04	OVERFLOW DETECTION SPRING	RESSORT DÉTECTION DÉBORDEMENT	2
5	18CAB14	WATER DETECTION & TUBES PASS THROUGH ET	PASSE TUBE ET DETECTEUR D'EAU ET R1	1



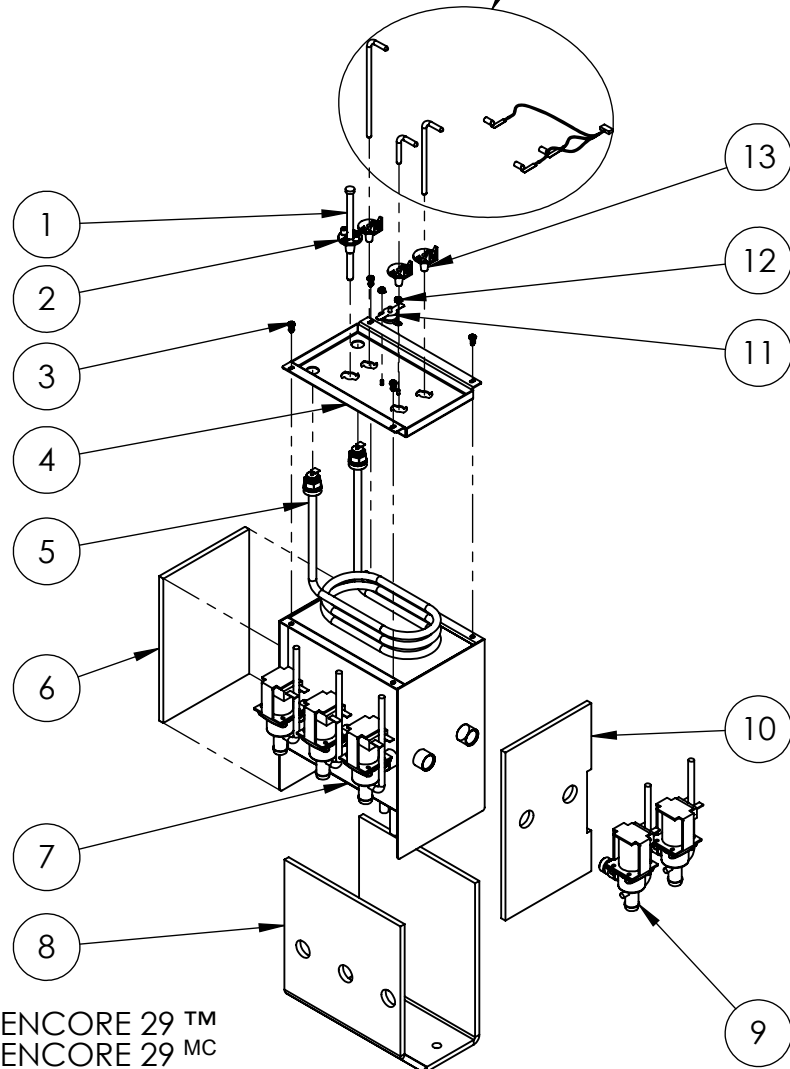
ENCORE 29™
ENCORE 29™
EMBLEM™
EMBLEM™

17PRE17
 HOSE 60" + PLUG ASSY
 P-A TUYAU VIDANGE 60" +
 BOUCHON ET

# Item	# Pièce	ENGLISH DESCRIPTION	DESCRIPTION FRANÇAISE	LONGUEUR	QTY/QTE
1	11VRA01	GREY TUBING 8 MM ID X 12 MM OD	TUYAU GRIS 8 MM ID X 12 MM OD	60.000	1
2	03HAR30	DRAIN HOSE PLUG (1/4 I.D.)	BOUCHON TUYAU DE VIDANGE (1/4" I.D.)		1



18ACC15
 ENCORE 29 PROBES AND HARNESS
 SONDES ET HARNAIS ENCORE 29



18ACC16
 HOT WATER TANK ASSY ET R1
 P-A RESERVOIR A EAU ENCORE 29 R1

# ITEM	# PIECE	ENGLISH DESCRIPTION	DESCRIPTION FRANCAISE	QTY/QTE
1	17TAN25	TEMPERATURE PROBE ET	SONDE DE TEMPERATURE ET	1
2	17TAN36	TEMPERATURE PROBE BRACKET	SUPPORT SONDE TEMPERATURE	1
3	13HAR08	SCREW 6-32 X 3/8" PAN PHIL ZN W STAR WAS	VIS 6-32 X 3/8" PAN PHIIL ZN ROND INTE	4
4	18TAN01	TANK LID ET R1	COUVERCLE DE RÉSERVOIR ET R1	1
5	17TAN24	HEATING ELEMENT 1250W 120V	ELEMENT CHAUFFANT 1250W 120V	1
6	17TAN33	SIDE INSULATION	ISOLANT COTE	1
7	17TAN34	TANK	RÉSERVOIR EAU CHAUDE ENCORE 29	1
8	17TAN31	CONTOUR INSULATION	ISOLANT CONTOUR	1
9	17TAN23	OUTLET VALVE (DSVP11N) 24 V	VALVE DE SORTIE (DSVP11N) 24 V	5
10	17TAN32	OUTLET VALVES SIDE INSULATION	ISOLANT COTE VALVES	1
11	17ELC18	BI-METALLIC THERMAL DISK 225°F	DISQUE THERMIQUE BI-METAL 225°F	1
12	17HAR01	NUT 4-40 SS TOOTHED 1/4 LG	ECROU 4-40 SS DENTELE 1/4 LG	2
13	17TAN35	LEVEL PROBES BRACKET	SUPPORT SONDES NIVEAU	3

ENCORE 29™
 ENCORE 29™ MC
 EMBLEM™
 EMBLEM™ MC

17CHO04

WHIPPER ELBOW ENCORE 29

COUDE SORTIE FOUETTEUR ENCORE 29

WHIPPING KIT ENCORE 29
ENS FOUETTEUR ENCORE 29

18PRE01

WHIPPER #1 VENTILATION CAGE ASSY ET R1
P-A CAGE VENT. FOUETTEUR 1 ENCORE 29 R1

18CAB02

COFFEE VENTILATION DOCK
CAGE DE VENTILATION CAFE

11VRA01

GREY TUBING 8 MM ID X 12 MM OD
TUYAU GRIS 8 MM ID X 12 MM OD
8"

11VRA01

GREY TUBING 8 MM ID X 12 MM OD
TUYAU GRIS 8 MM ID X 12 MM OD
8"

11VRA01

GREY TUBING 8 MM ID X 12 MM OD
TUYAU GRIS 8 MM ID X 12 MM OD
10 3/4"

18PRE03

WHIPPER #3 VENTILATION CAGE ASSY ET R1
P-A CAGE VENT. FOUETTEUR 3 ENCORE 29 R1

18PRE02

WHIPPER #2 VENTILATION CAGE ASSY ET R1
P-A CAGE VENT. FOUETTEUR 2 ENCORE 29 R1

05VRA01

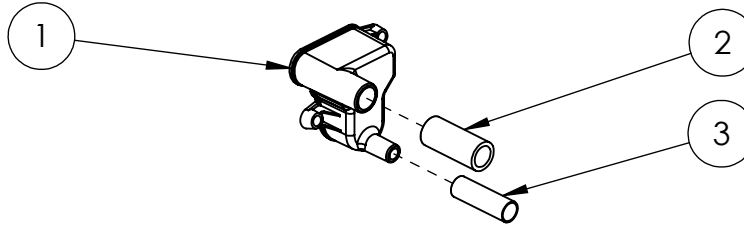
COFFEE VENT FLEX HOSE 14" (356MM)
S-A TUYAU FLEX VENT CAFE 14" (356MM)
14"

ENCORE 29™
ENCORE 29™
EMBLEM™
EMBLEM™
MC
MC

18PRE01

WHIPPER #1 VENTILATION
CAGE ASSY ET R1
P-A CAGE VENT. FOUETTEUR 1
ENCORE 29 R1

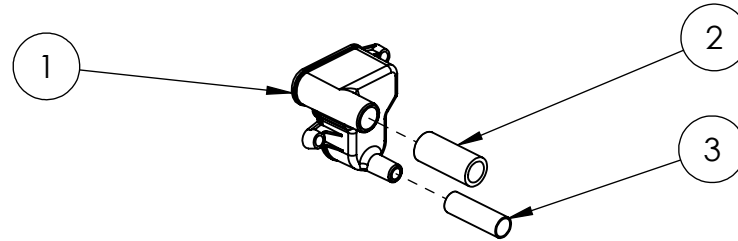
# ITEM	# PIECE	ENGLISH DESCRIPTION	DESCRIPTION FRANÇAISE	LONGUEUR	QTY/QTE
1	18CAB01	WHIPPER VENTILATION CAGE	CAGE DE VENTILATION FOUETTEUR		1
2	96VRA11	BROWN TUBING .471 ID X .658 OD	TUYAU BRUN .471 ID X .658 OD	16"	1
3	11VRA01	GREY TUBING 8 MM ID X 12 MM OD	TUYAU GRIS 8 MM ID X 12 MM OD	17.125	1



18PRE02

WHIPPER #2 VENTILATION
CAGE ASSY ET R1
P-A CAGE VENT. FOUETTEUR 2
ENCORE 29 R1

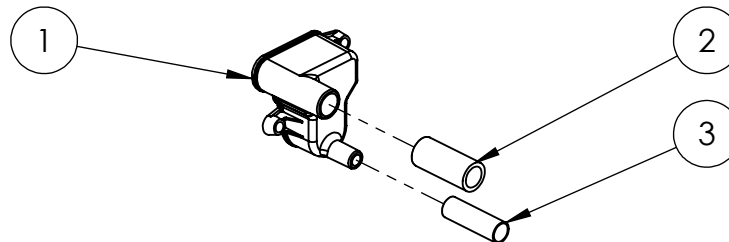
# ITEM	# PIECE	ENGLISH DESCRIPTION	DESCRIPTION FRANÇAISE	LONGUEUR	QTY/QTE
1	18CAB01	WHIPPER VENTILATION CAGE	CAGE DE VENTILATION FOUETTEUR		1
2	96VRA11	BROWN TUBING .471 ID X .658 OD	TUYAU BRUN .471 ID X .658 OD	14 3/4"	1
3	11VRA01	GREY TUBING 8 MM ID X 12 MM OD	TUYAU GRIS 8 MM ID X 12 MM OD	15.000	1



18PRE03

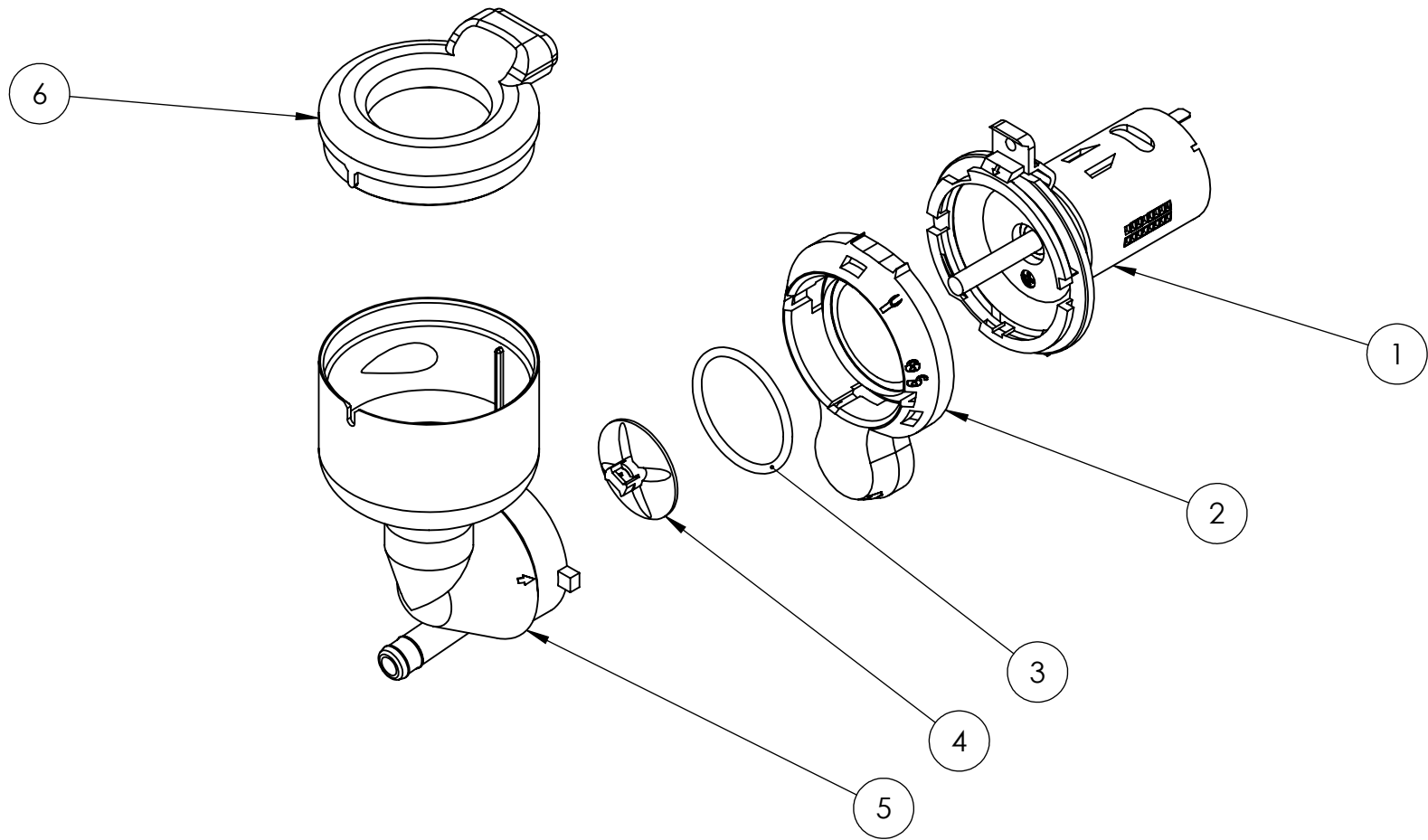
WHIPPER #3 VENTILATION
CAGE ASSY ET R1
P-A CAGE VENT. FOUETTEUR 3
ENCORE 29 R1

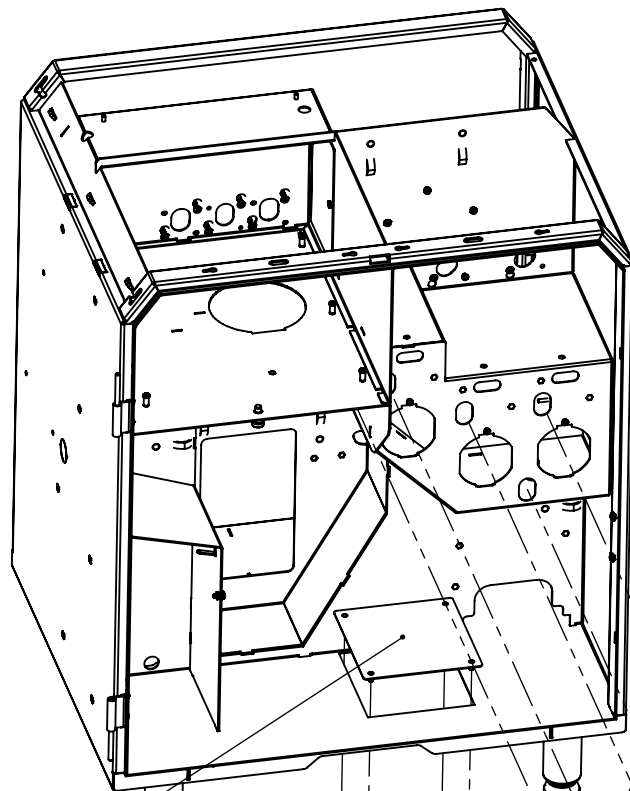
# ITEM	# PIECE	ENGLISH DESCRIPTION	DESCRIPTION FRANÇAISE	LONGUEUR	QTY/QTE
1	18CAB01	WHIPPER VENTILATION CAGE	CAGE DE VENTILATION FOUETTEUR		1
2	96VRA11	BROWN TUBING .471 ID X .658 OD	TUYAU BRUN .471 ID X .658 OD	17"	1
3	11VRA01	GREY TUBING 8 MM ID X 12 MM OD	TUYAU GRIS 8 MM ID X 12 MM OD	14.625	1



WHIPPING KIT ENCORE 29
EMSEMBLE FOUETTEUR ENCORE 29

# ITEM	# PIECE	ENGLISH DESCRIPTION	DESCRIPTION FRANÇAISE	QTY/QTE
1	17MOT03	WHIPPER MOTOR 24 V DC 13300 RPM	MOTEUR FOUETTEUR 24 V DC 13300 RPM	1
2	17CHO05	WHIPPER BASE	BASE DU FOUETTEUR	1
3	17CHO09	O'RING 37,6 MM X 42,98 MM X 2,69 MM	O'RING 37,6 MM X 42,98 MM X 2,69 MM	1
4	17CHO06	WHIPPING DISK	DISQUE DE FOUETTAGE	1
5	17CHO07	WHIPPING CHAMBER AND FUNNEL	CHAMBRE DE MELANGE ET ENTONNOIR	1
6	17CHO08	FUNNEL COVER (STEAM TRAP)	COUVERCLE D'ENTONNOIR	1





18CAB36
CHUTE HOLE HIDING PLATE FOR ET NSF
CACHE-TROU DE CHUTE POUR ET NSF

18HAR07
10-32 PLASTIC KNURLED THUMB NUT
ÉCROU MOLLETÉ EN PLASTIQUE 10-32

96VRA14
BROWN TUBING .312 ID X .500 OD
TUYAU BRUN .312 ID X .500 OD
6"

11VRA01
GREY TUBING 8 MM ID X 12 MM OD
TUYAU GRIS 8 MM ID X 12 MM OD
9 1/2"

17PRE13
HOSE 6 1/2" & FITTING ASSY
P-A TUYAU 6 1/2" ET ADAPTEUR ET

17PRE12
HOSE 11 5/8" & FITTING ASSY
P-A TUYAU 11 5/8" ET ADAPTEUR ET

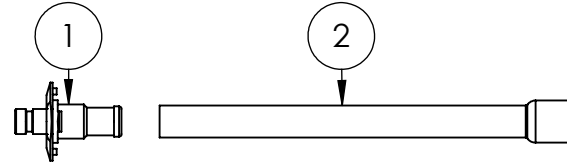
18PRE19
HOSE 15 3/4" & FITTING ASSY ET R1
P-A TUYAU 15 3/4"-ADAPT. ENCORE 29 R1

17PRE10
HOSE 17 1/4" & FITTING ASSY
P-A TUYAU 17 1/4" ET ADAPTEUR ET

17PRE10

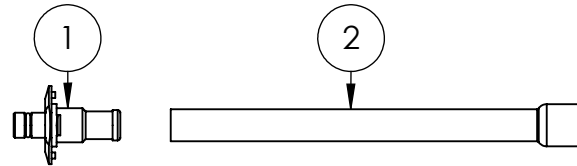
HOSE 17 1/4" & FITTING ASSY
P-A TUYAU 17 1/4" ET
ADAPTEUR ET

# ITEM	# PIECE	ENGLISH DESCRIPTION	DESCRIPTION FRANÇAISE	LONGUEUR	QTY/QTE
1	17CHO02	WHIPPER INLET ADAPTOR ENCORE 29	ADAPTEUR FOUETTEUR ENCORE 29		1
2	15TAN02	HOSE 19 1/2" (495 MM) WITH NOZZLE	TUYAU 19 1/2" (495 MM) AVEC EMBOUT	17.250	1

**17PRE12**

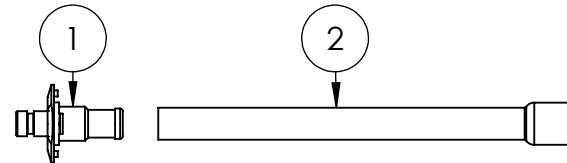
HOSE 11 5/8" & FITTING ASSY
P-A TUYAU 11 5/8" ET
ADAPTEUR ET

# ITEM	# PIECE	ENGLISH DESCRIPTION	DESCRIPTION FRANÇAISE	LONGUEUR	QTY/QTE
1	17CHO02	WHIPPER INLET ADAPTOR ENCORE 29	ADAPTEUR FOUETTEUR ENCORE 29		1
2	15TAN02	HOSE 19 1/2" (495 MM) WITH NOZZLE	TUYAU 19 1/2" (495 MM) AVEC EMBOUT	11.625	1

**17PRE13**

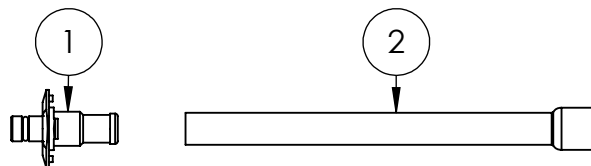
HOSE 6 1/2" & FITTING ASSY
P-A TUYAU 6 1/2" ET
ADAPTEUR ET

# ITEM	# PIECE	ENGLISH DESCRIPTION	DESCRIPTION FRANÇAISE	LONGUEUR	QTY/QTE
1	17CHO02	WHIPPER INLET ADAPTOR ENCORE 29	ADAPTEUR FOUETTEUR ENCORE 29		1
2	15TAN02	HOSE 19 1/2" (495 MM) WITH NOZZLE	TUYAU 19 1/2" (495 MM) AVEC EMBOUT	6.500	1

**18PRE19**

HOSE 15 3/4" & FITTING
ASSY ET R1
P-A TUYAU 15 3/4"-ADAPT.
ENCORE 29 R1

# ITEM	# PIECE	ENGLISH DESCRIPTION	DESCRIPTION FRANÇAISE	LONGUEUR	QTY/QTE
1	17CHO02	WHIPPER INLET ADAPTOR ENCORE 29	ADAPTEUR FOUETTEUR ENCORE 29		1
2	15TAN02	HOSE 19 1/2" (495 MM) WITH NOZZLE	TUYAU 19 1/2" (495 MM) AVEC EMBOUT	15.750	1



ENCORE 29™
ENCORE 29™
EMBLEM™
EMBLEM™