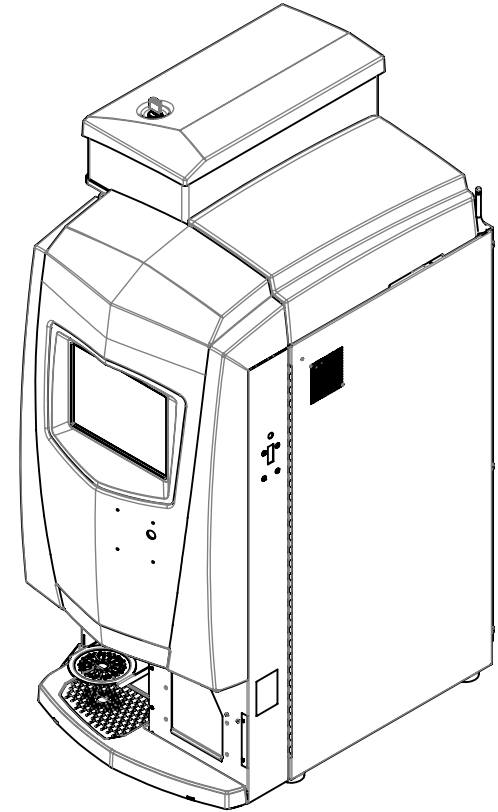
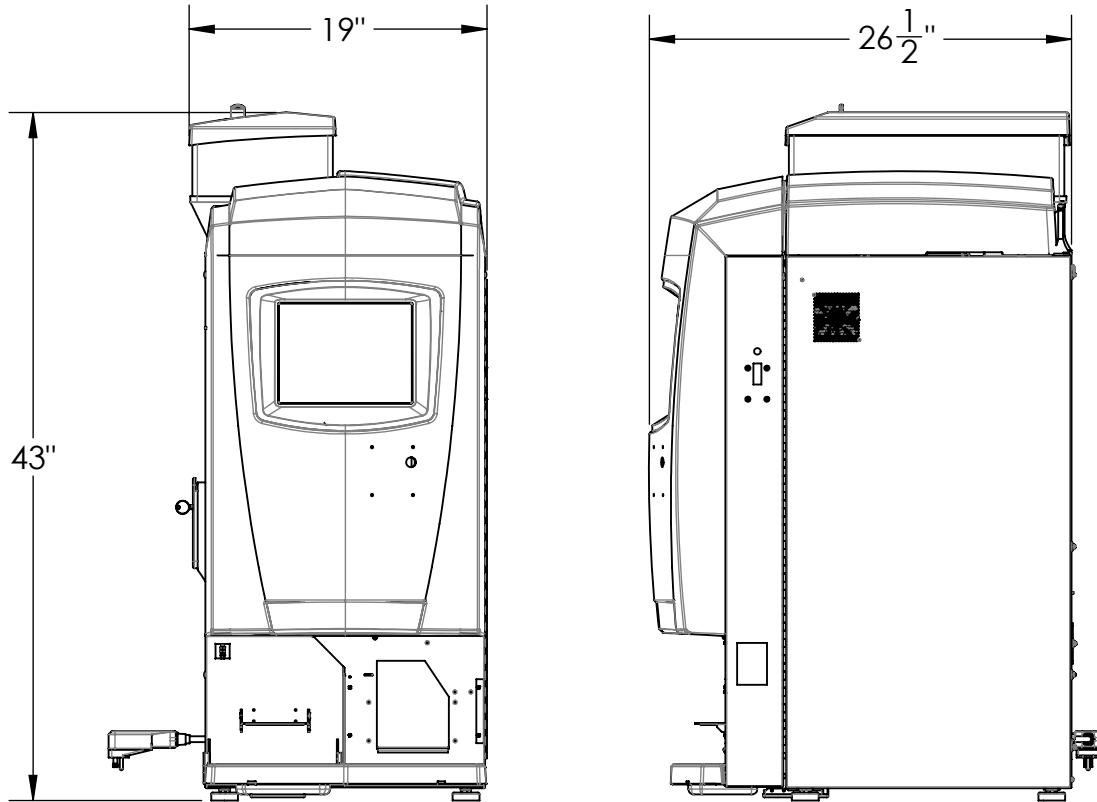


PARTS BOOK

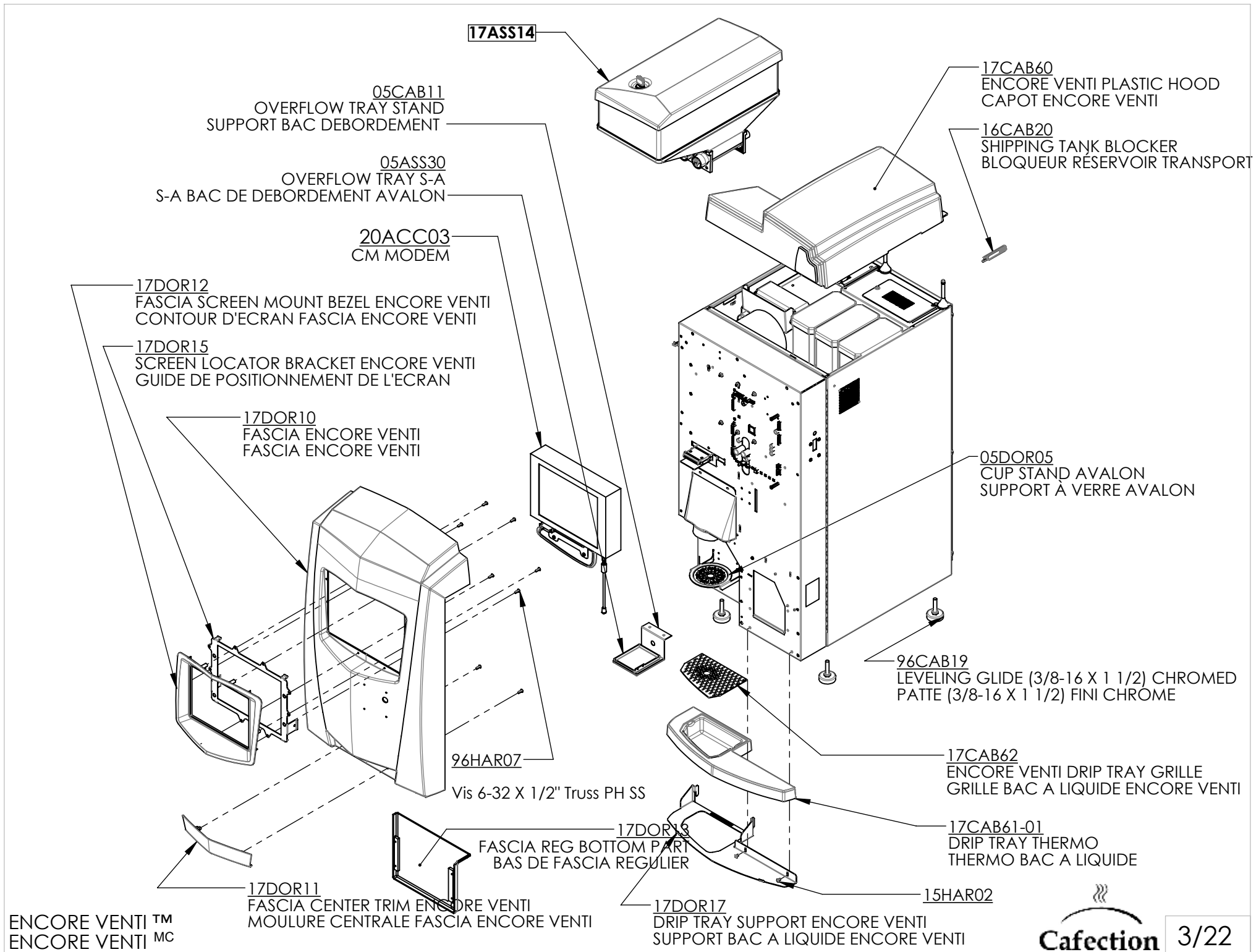
MANUEL DE PIÈCES

PB-EV1705

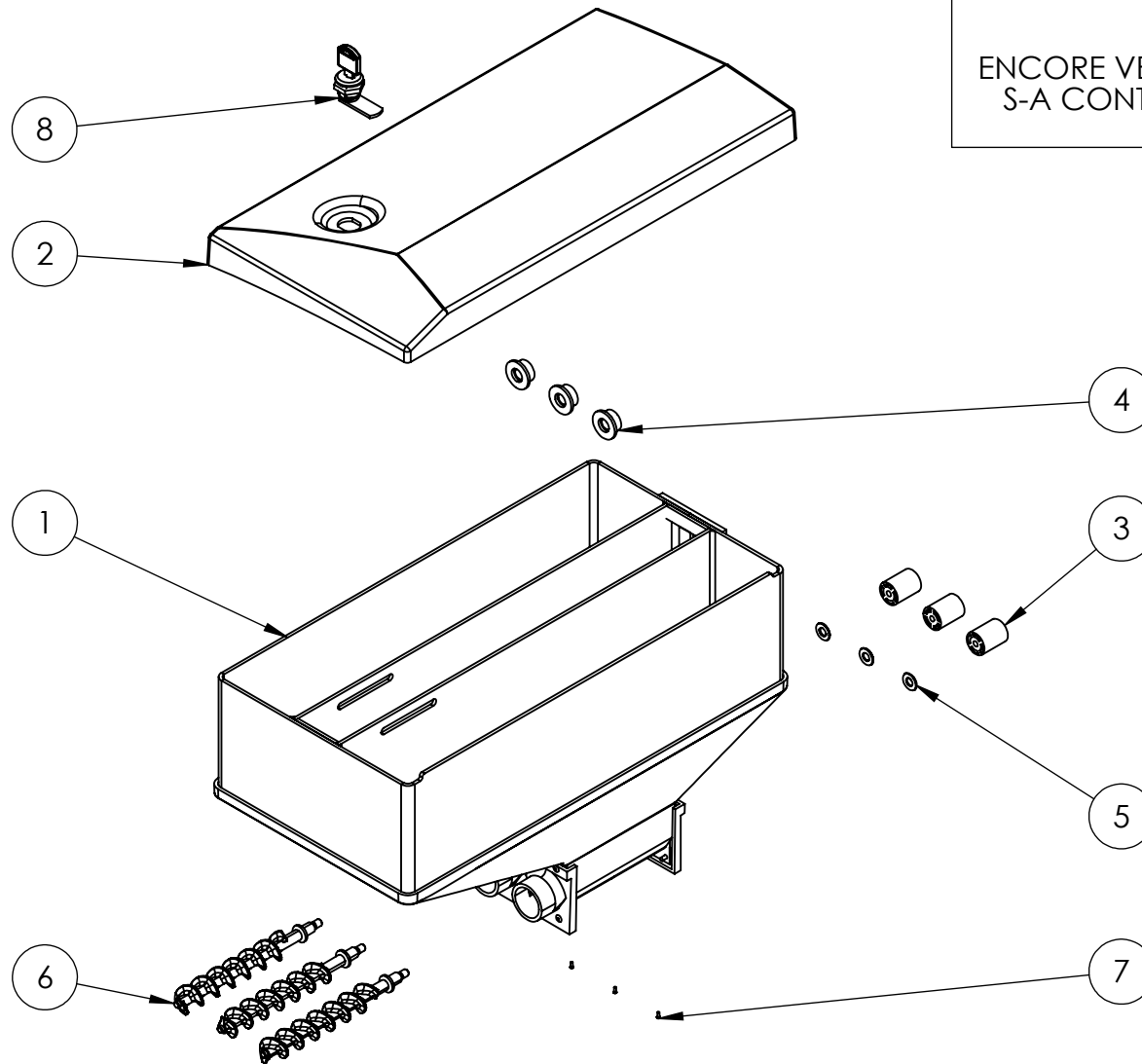


Coffee brewer's detailed parts reference manual.
Parts shown in this manual may not be individually available for purchase.

Manuel de référence des pièces de la cafetière.
Les pièces illustrées pourraient ne pas être vendues individuellement.



# Item	# Pièce	ENGLISH DESCRIPTION	DESCRIPTION FRANÇAISE	QTY/QTE
1	11CAN26	TOTAL 1 3 BEANS CANISTER	CONTENANT A GRAINS (3 GRAINS) T1-EV-V4	1
2	17CAN15	BEANS CANISTER LID ENCORE VENTI	COUVERCLE CONTENANT 3 GRAIN ENCORE VENTI	1
3	03CAN03	WB HOPPER SPRING PLASTIC AUGER COUPLING	EMBRAYAGE VIS SANS FIN CONTENANT GRAINS	3
4	03CAN105	WHOLE BEAN HOPPER BUSHING	EPAULEMENT CONTENANT A GRAINS	3
5	96HAR42	FLAT WASHER .285 X .625 X .045 SS	RONDELLE PLATE .285 X .625 X .045 SS	3
6	03CAN02C	AUGER ASSEMBLY 166MM LONG	VIS SANS FIN COUPEE DU CONTENANT A GRAIN	3
7	07HAR02	VIS FAUSSE TYPE "U" 3/16" RONDE SS	VIS FAUSSE TYPE "U" 3/16" RONDE SS	3
8	04CAN04	(#110) 3 BEANS CANISTER'S LOCK	SERRURE (#110) CONTENANT 3 GRAINS	1



17ASS14
ENCORE VENTI 3 BEANS CANISTER ASSY
S-A CONT. 3 GRAINS ENCORE VENTI

05CAB02-01
PANNEAU ARRIÈRE AVALON

05CAB30
3 BEANS TOP FITTING PART
PIECE D'APPOINT CAPOT 3 GRAINS

15ELC01
FAN WITH SHORT WIRES (6,5")
VENTILATEUR MINCE FILS COURTS (6,5")

05CAB12
AVALON TANK ACCES DOOR
PORTE ACCES RESERVOIR AVALON

05CAB27
AVALON ACCES DOOR FOR FAN
PORTE ACCES TURBINE AVALON

96ELC30
FAN GUARD
PROTECTEUR DU VENTILATEUR

OPTION CHUTE
05ACC04

05CAB25
PLASTIC CHUTE AVALON
CHUTE EN PLASTIQUE AVALON

PECAB17
SQUARE CHUTE
BASE DE LA CHUTE A DECHETS

05ASS19
FRONT PANEL AVALON S-A
S-A PANNEAU AVANT AVALON

05CAB26
WASTE BASKET AVALON
BAC A RESIDUS AVALON

08CAB05 (09ACC02)
PROTECTOR BEANS'S FUNNEL
PROTECTEUR ENTONNOIR A GRAINS

13CAB16
GRINDER PROTECTOR
PROTEGE MOULIN

05ASS01

18ELN06
LTE ANTENNA FOR WITTENBORG 3M WIRE
ANTENNE LTE FIL 3M WITTENBORG

04MOT01
24V 145 RPM INGREDIENT MOTOR
MOTEUR INGREDIENT 24V 145 RPM

PECAN21M
MODIFIED ELBOW 38 X 53 MM VENTILATED
COUDE 38 X 53 MM VENTILÉ MODIFIÉ

15ASS11

13ASS10

17CAB63
BREWER BRACKET
SPACER FOR ENCORE
VENTI
ESPACEUR SUPPORT
INFUSEUR ENCORE VENTI

12ASS27

15ASS06

13BRE23
20 OZ CYLINDER-COFFEE WHIPPER SEAL
JOINT SILICONE CYLINDRE 20 OZ FOUETTEUR

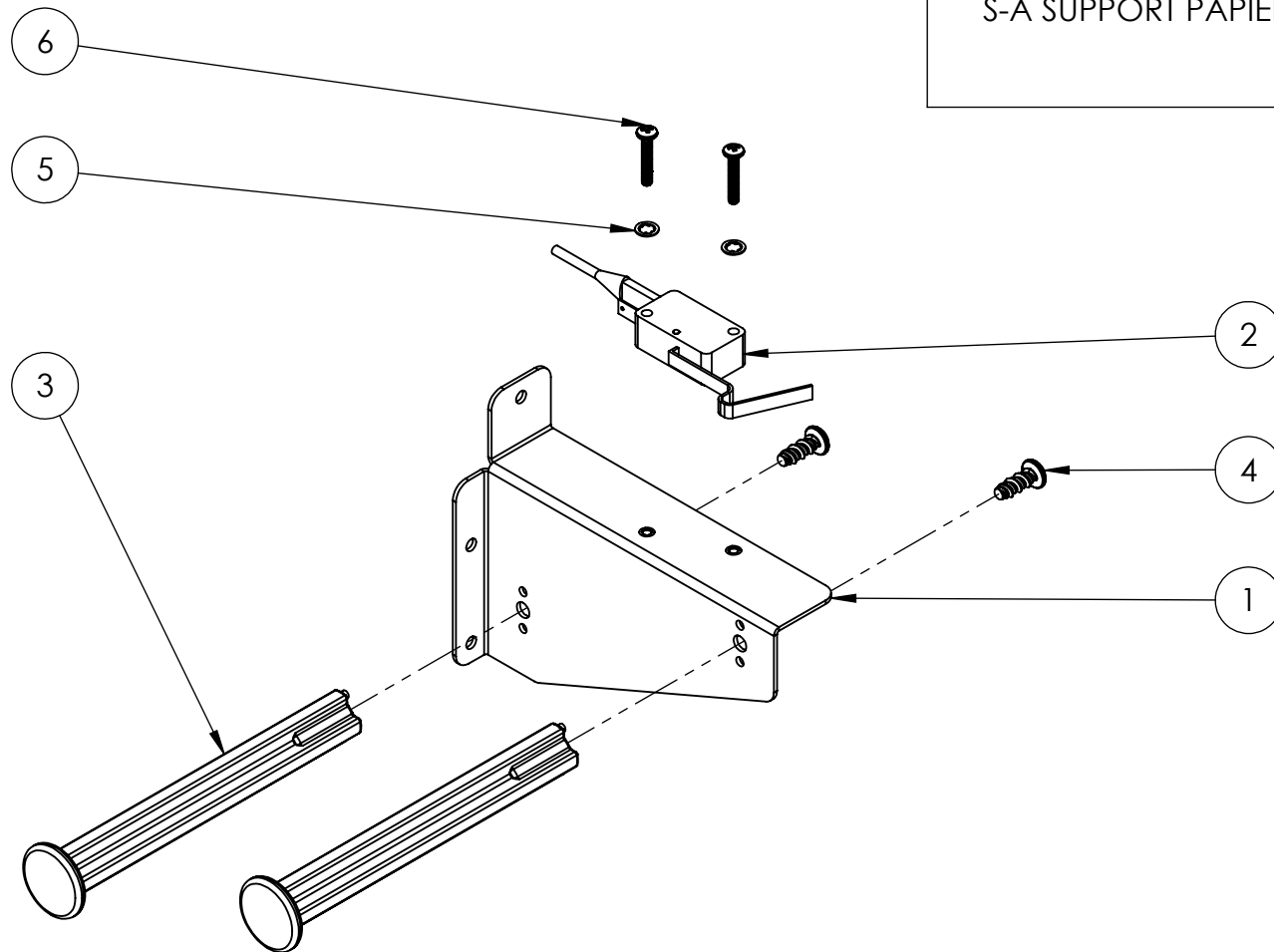
06HAR03
SCREW 6-32 x 3/8" SS WASHER FACE THUMB
VIS 6-32 X 3/8" TETE BOUTON SS

13CAB14
HOSES SUPPORT (FRONT PART) VENTI-4
SUPPORT TUYAUX AVANT VENTI-4

13ASS11

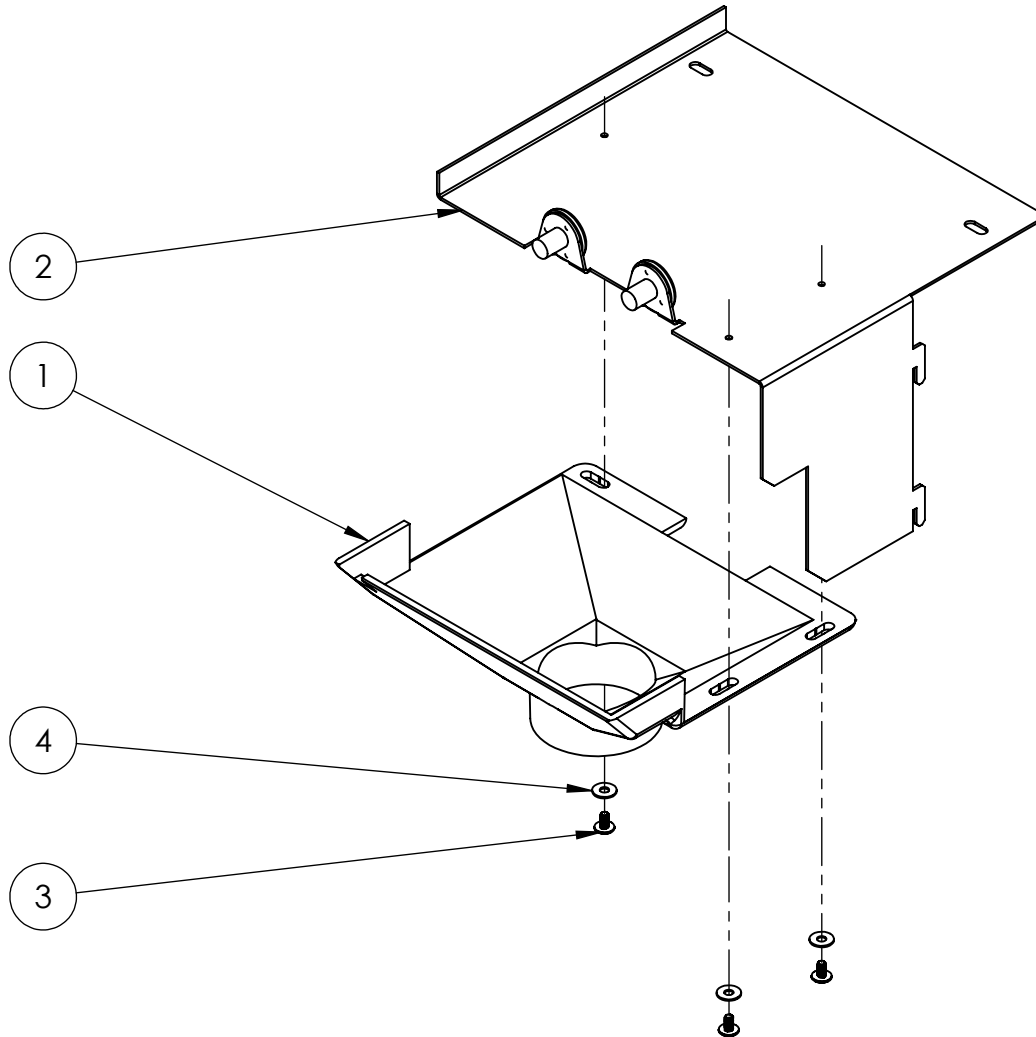
# Item	# Pièce	ENGLISH DESCRIPTION	DESCRIPTION FRANÇAISE	QTY/QTE
1	15CAB02	FIXED PAPER BRACKET GA-GO-T1-V4	SUPPORT PAPIER FIXE GA-GO-T1-V4-SB	1
2	09ASS04	PAPER SWITCH + WIRES S-A	S-A INTERRUPTEUR PAPIER + FILS	1
3	03CAB06	INJECTED FILTER PAPER ROD	TIGE PAPIER FILTRE INJECTEE	2
4	03HAR04	SCREW #10 X 1/2" PAN PHIL HIGH-LOW ZINC	VIS #10 X 1/2" PAN PHIL HIGH-LOW ZINC	2
5	96HAR04	TOOTH LOCKWASHER #4 (INTERNAL)	RONDELLE DE RETENUE #4 (INTERNE)	2
6	96HAR01	SCREW 4-40 X 5/8" PAN PH SS	VIS 4-40 X 5/8" PAN PH SS	2

15ASS11
 FIDES PAPER BRACKET ASSY GA-GO-T1-V4
 S-A SUPPORT PAPIER FIXE GA-GO-T1-V4

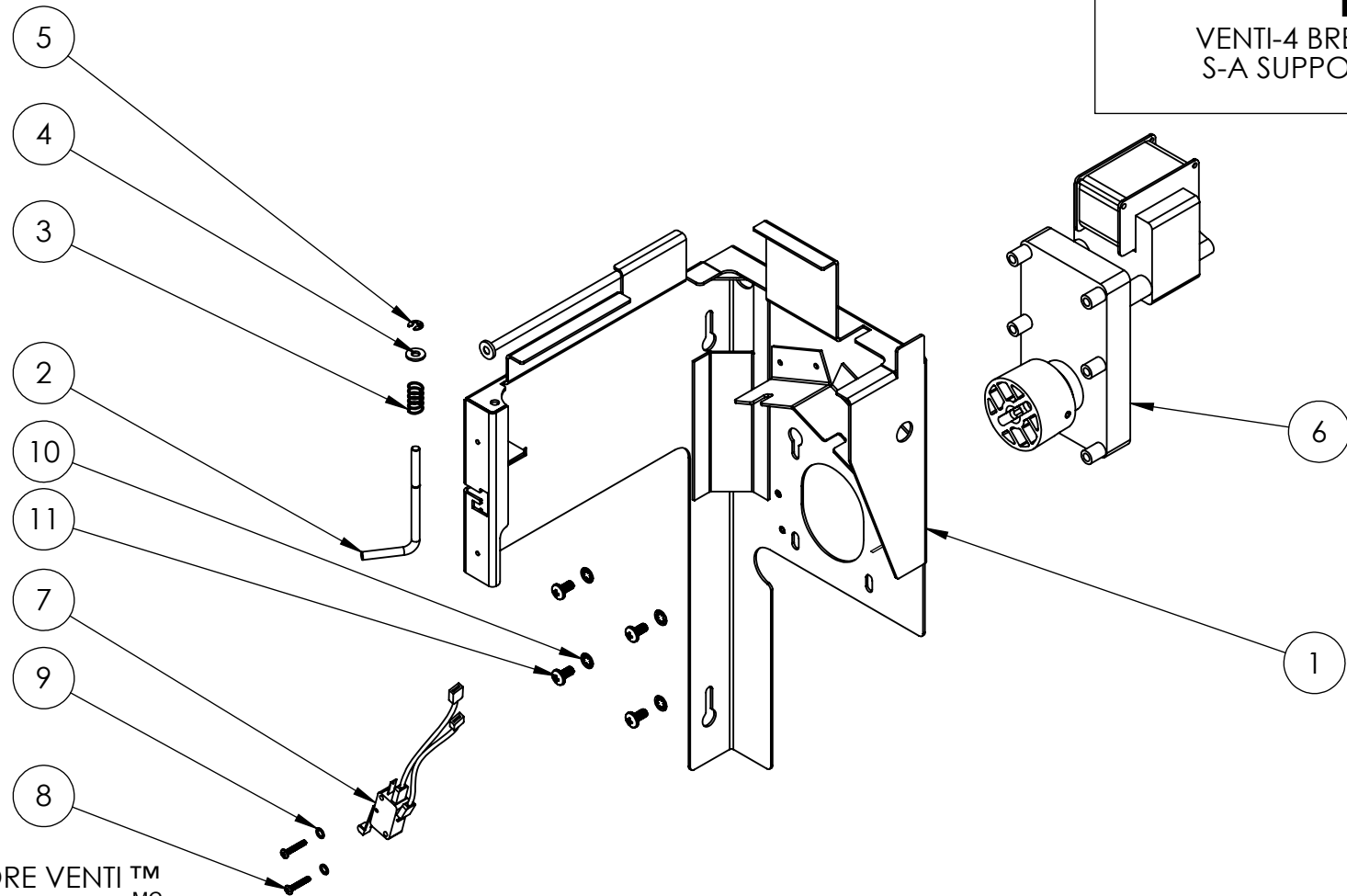


# Item	# Pièce	ENGLISH DESCRIPTION	DESCRIPTION FRANÇAISE	QTY/QTE
1	PECAN22	PE-05 3 BEANS PLASTIC CHUTE	ENTONNOIR A 3 GRAINS PE-05	1
2	05CAB13	3 WHOLE BEANS CANISTER'S SHELF	TABLETTE CONTENANT 3 GRAINS AVALON	1
3	96HAR05	6-32 X 1/4" TRUSS PH SS	VIS 6-32 X 1/4" TRUSS PHIL SS 304	3
4	96HAR73	FLAT WASHER .150 X .375 X .032 #6 SS	RONDETTE PLATE .150 X .375 X .032 SS #6	3

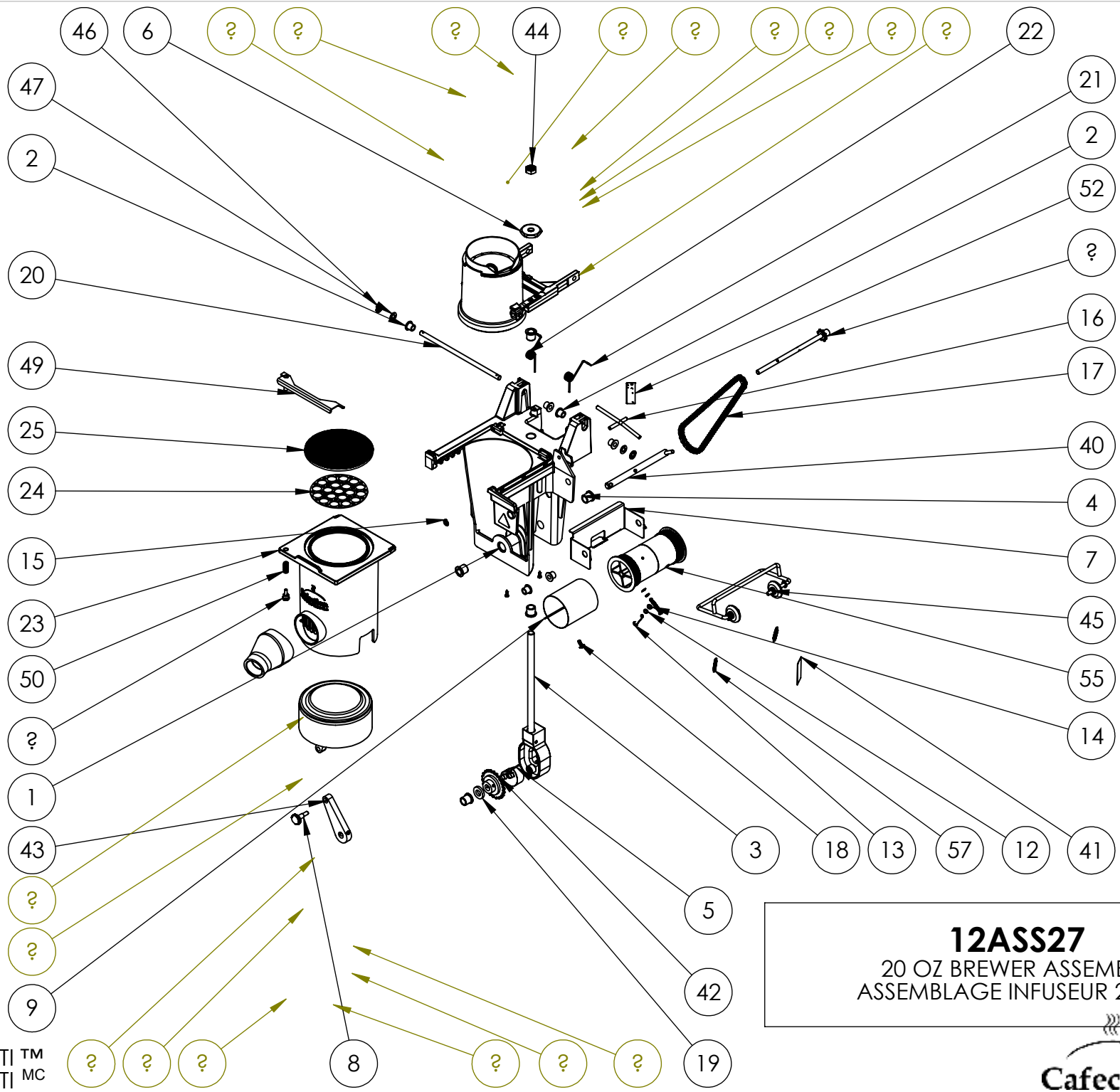
05ASS01
3 BEANS SHELF S-A AVALON
S-A TABLETTE 3 GRAINS AVALON



# Item	# Pièce	ENGLISH DESCRIPTION	DESCRIPTION FRANÇAISE	QTY/QTE
1	13CAB13	BREWER BRACKET FOR VENTI-4	SUPPORT INFUSEUR VENTI-4	1
2	13CAB20	20 OZ BREWER BRACKET LATCH	LOQUET SUPPORT INFUSEUR 20 OZ	1
3	96BRM02A	LATCH SPRING	RESSORT DU LOQUET	1
4	96HAR108	FLAT WASHER .203 X .437 X .032 SS	RONDELLE PLATE .203 X .437 X .032 SS	1
5	12HAR07	EXTERNAL RETAINING RING 3/16" SS	BAGUE DE RETENUE EXTERNE 3/16" SS	1
6	15ASS09	BREWER MOTOR S-A	S-A MOTEUR INFUSEUR 20 OZ	1
7	06ASS03	CAM SWITCH ASSY WITH 2 WIRES	S-A INTERRUPTEUR COUPLEUR A 2 FILS	1
8	96HAR01	SCREW 4-40 X 5/8" PAN PH SS	VIS 4-40 X 5/8" PAN PH SS	2
9	96HAR04	TOOTH LOCKWASHER #4 (INTERNAL)	RONDELLE DE RETENUE #4 (INTERNE)	2
10	96HAR19	TOOTH LOCKWASHER #10 (INTERNAL)	RONDELLE DE RETENUE #10(INTERNE)	4
11	96HAR56	SCREW 10-32 X 3/8" PAN PH SS	VIS 10-32 X 3/8" PAN PH SS	4



13ASS10
VENTI-4 BREWER BRACKET ASSY
S-A SUPPORT INFUSEUR VENTI-4



12ASS27
 20 OZ BREWER ASSEMBLY
 ASSEMBLAGE INFUSEUR 20 OZ

# Item	# Pièce	ENGLISH DESCRIPTION	DESCRIPTION FRANÇAISE	QTY/QTÉ
1	12BRE21	MAIN FRAME 20 OZ BREWER	CHASSIS INFUSEUR 20 OZ	1
2	96HAR117	MAIN FRAME SMALL BUSHING	PETIT PALIER DU CHASSIS (BUSHING)	6
3	12ASS22	20 OZ CAM HOUSING ASSEMBLY	S-A BOITIER DE CAME 20 OZ	1
4	96HAR105	LARGE BUSHING	GRAND PALIER DU CHASSIS (BUSHING)	5
5	SBBRE030	CAM	CAME	1
6	14BRE01	HEX NUT 3/8"-24 X 1 1/8" X 3/16" SS	ÉCROU INFUSEUR MACHINÉ	1
7	12BRE32	20 OZ BREWER YOKE RETAINING PLATE	PLAQUE DE RETENUE ETRIER 20 OZ	1
8	12BRE34	20 OZ BREWER PISTON LEVER THUMBSCREW	VIS BOUTON LEVIER DU PISTON 20 OZ	1
9	98BRE76	TAPE DRUM GUIDE BAND	GUIDE TAMBOUR PAPIER FILTRE	1
57	98BRE05	EXTENSION SPRING (GOLD - PLATINUM & VKI)	RESSORT D'EXTENSION (GOLD - PLATINUM & VKI)	2
11	SBSAS0104-I	INJECTED DRUMS SHAFT ASSY	S-A ARBRE TAMBOURS INJECTES	1
12	06HAR116	SPRING WASHER #6 SS	RONDELLE A RESSORT #6 SS	2
13	03HAR05	SCREW 6-32 X 1" PAN PH SS	VIS 6-32 X 1" PAN PH SS	2
14	96HAR10	TOOTH LOCKWASHER #6 (INTERNAL)	RONDELLE DE RETENUE #6 (INTERNE)	2
15	96HAR100	RETAINING RING 3/16 (ZINC)	BAGUE DE RETENUE 3/16 ("C" CLIP) (ZINC)	1
16	12BRE31	20 OZ BREWER LIFT BAR	BRAS DE LEVIER 20 OZ	1
17	12BRE30	CHAIN 73 PITCHES WITH CONNECTING LINK	CHAINE 73 MAILLES CONNECTEUR INCLU	1
18	96HAR06	SCREW 6-32 X 3/8" TRUSS PHIL SS	VIS 6-32 X 3/8" TRUSS PHIL SS	1
19	10BRE01	UHMW FLAT WASHER .380 X .750 X .130	RONDELLE PLATE .380 X .750 X .130 UHMW	1
20	12BRE29	20 OZ BREWER H FRAME SHAFT	ARBRE DU CHASSIS EN H 20 OZ	1
21	98BRE68	RIGHT SIDE LIFT SPRING	RESSORT A LEVIER DROIT	1
22	98BRE67	LEFT SIDE LIFT SPRING	RESSORT A LEVIER GAUCHE	1
23	12BRE20	CYLINDRE 20 OZ	CYLINDER 20 OZ	1
24	99BRE54R	PLATINUM SCREEN SUPPORT	SUPPORT CREPINE PLATINUM	1
25	99BRE55R	PLATINUM SCREEN AND SEAL	JOINT ET CREPINE PLATINUM	1
26	10HAR16	SCREW # 4 X 3/8" PAN PH SS	VIS # 4 X 3/8" PAN PH SS	2
40	15ASS10	MAIN SHAFT S-A	S-A ARBRE PRINCIPAL INFUSEUR 20 OZ	1
41	16FUR08	ETIQUETTE POLY BLANC 1,5" X ,75" VOID	ETIQUETTE POLY BLANC 1,5" X ,75" VOID	1
42	SBSAS0100	CLUTCH SPROCKET S-A	S-A EMBRAYAGE DE LA CAME	1
43	12ASS21	20 OZ CRANK ARM ASSY	S-A BIELLE 20 OZ	1
44	96BRE56	NUT 3/8"-24 X 7/32" THICK SS	ECROU 3/8"-24 X 7/32 EPAIS SS	1
45	13ASS17	TOTAL 1 20 OZ YOKE ASSY	S-A ETRIER 20 OZ TOTAL 1	1
46	13HAR05	1/4" SS SELF-LOCKING RETAINING RING	BAGUE DE RETENUE 1/4" SS	2
47	96HAR125	FLAT WASHER .265 X .500 X .030 SS	RONDELLE PLATE .265 X .500 X .030 SS	2
49	13BRE22	20 OZ CYLINDER LOCKING PLATE	BARRURE DU CYLINDRE 20 OZ	1

12ASS27

20 OZ BREWER ASSEMBLY
ASSEMBLAGE INFUSEUR 20 OZ

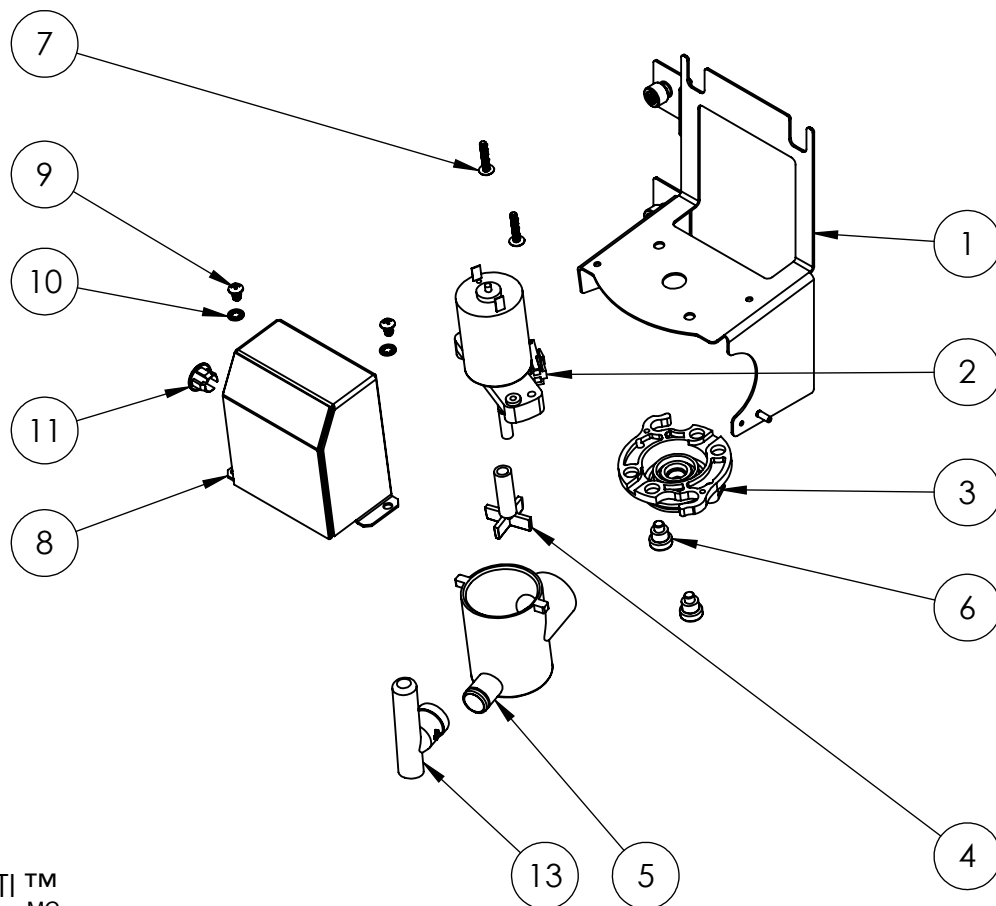
 Cafecton

11/22

# Item	# Pièce	ENGLISH DESCRIPTION	DESCRIPTION FRANÇAISE	QTY/QTÉ
50	13HAR06	RESSORT COMP.9/32 OD X 1-1/16 L BRT ZINC	9/32 OD X 1-1/16 L BRT ZINC COMP. SPRING	1
51	06HAR03	SCREW 6-32 x 3/8" SS WASHER FACE THUMB	VIS 6-32 X 3/8" TETE BOUTON SS	1
52	12LAB26	PATENT PENDING LABEL	DECALQUE PATENT PENDING	1
55	99SAS175	DRUM ASSY	S-A TAMBOUR	1
56	19LAB18	INJURY WARNING LABEL	DECALQUE ATTENTION RISQUE DE BLESSURE	1
58	13BRE23	20 OZ CYLINDER-COFFEE WHIPPER SEAL	JOINT SILICONE CYLINDRE 20 OZ FOUETTEUR	1
59	21ASS03	20 OZ PISTON AND LEVER	S-A PISTON ET LEVIER 20 OZ	1
60	21ASS02	20 OZ BREWER ASSEMBLY	S-A CHASSIS EN «H» 20 OZ	1

12ASS27
20 OZ BREWER ASSEMBLY
ASSEMBLAGE INFUSEUR 20 OZ

# Item	# Pièce	ENGLISH DESCRIPTION	DESCRIPTION FRANÇAISE	QTY/QTE
1	13CAB15	COFFEE WHIPPER SUPPORT VENTI-4	SUPPORT FOUETTEUR CAFÉ VENTI-4	1
2	07ASS02	COFFEE WHIPPER MOTOR S-A	S-A MOTEUR FOUETTEUR CAFE	1
3	03CHO01	WHIPPER BASE S-A	BASE DU FOUETTEUR ASSEMBLÉE	1
4	06CHO01	COFFEE WHIPPER MOTOR S-A	S-A MOTEUR FOUETTEUR CAFE	1
5	03CHO04	WHIPPING CHAMBER	CHAMBRE DE MÉLANGE	1
6	03CHO07	PILLAR WHIPPER BASE	POTEAU DE FIXATION BASE FOUETTEUR	2
7	PEHAR07	6-32 X 3/4" TRUSS PH SS	VIS 6-32 X 3/4" TRUSS PH SS	2
8	UGCAB28	WHIPPER PROTECTOR	PROTEGE FOUETTEUR	1
9	96HAR20	SCREW 8 1/4" ROUND PH SS	VIS 8 1/4" ROUND PH SS	2
10	05HAR04	LOCKWASHER INTERNAL RING #8 SS	RONDELLE DE RETENUE #8 (INTERNE) SS	2
11	08HAR03	7/16 SNAP BUSHING	BOUCHON INSTANTANE 7/16	1
12	06LAB04	ELECTRICAL WARNING LABELS WHIPPER	DÉCALQUE AVERTISSEMENT ELECTRIQUE FOUETTEUR	1
13	16CAB01	COFFEE WHIPPER SPOUT	BEC VERSEUR FOUETTEUR CAFE	1



13ASS11
VENTI-4 COFFEE WHIPPER ASSY
S-A FOUETTEUR CAFE VENTI-4

12MOT01-2 (17ACC08)
EMV54/3 COFFEE GRINDER
MOULIN A CAFE EMV54/3

07HAR10
ANTI-VIBRATION MOUNT
PATTE ANTI-VIBRATION

13CAB12
GRINDER SUPPORT PLATE FOR VENTI-4
PLAQUE SUPPORT MOULIN VENTI-4

17CAB02
CHUTE À CAFE SANS COGNEUR VENTI
VENTI COFFEE CHUTE W/O KNOCKER

15ASS01
CHOCO-VANILLA AERATION CAGE ASSY
S-A CAGE VENTILATION CHOCO-VANILLE

PECHO11
BOWL ADAPTOR
ADAPTEUR ENTONNOIR

16CHO01
MILK WHIPPER MOTOR
MOTEUR FOUETTEUR LAIT

05CAB37
CAOUTCHOUC PLATE
PLAQUE DE CAOUTCHOUC

03CHO01
WHIPPER BASE S-A
BASE DU FOUETTEUR ASSEMBLEE

03CHO07
PILLAR WHIPPER BASE
POTEAU DE FIXATION BASE FOUETTEUR

16CHO02
MILK WHIPPING DISC
DISQUE DE FOUETTAGE LAIT

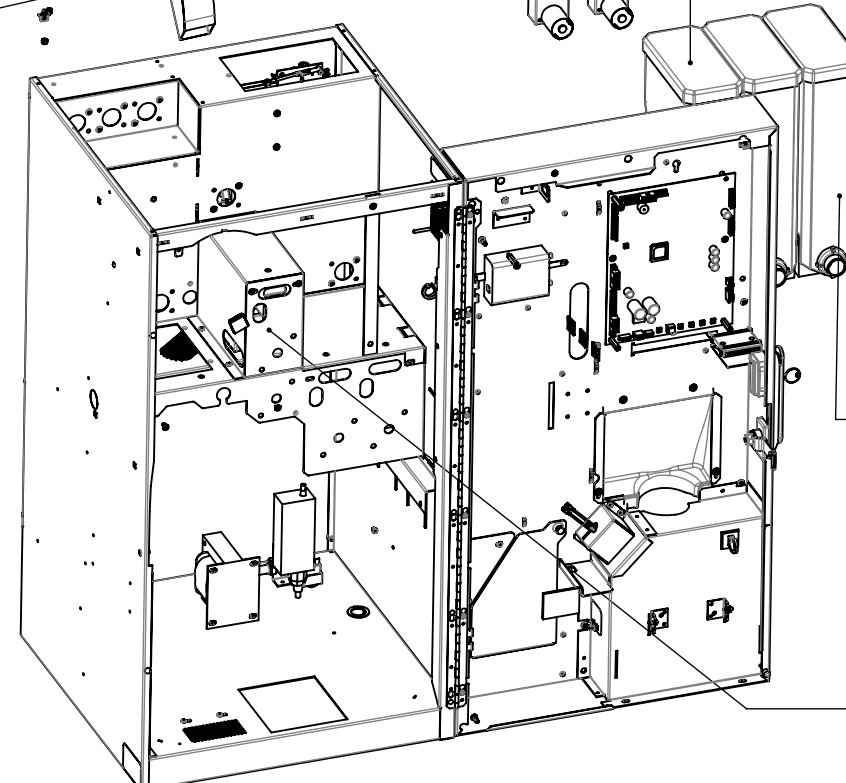
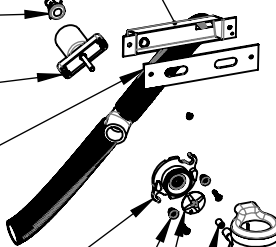
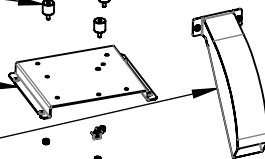
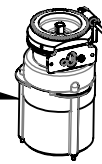
09CHO08
RESTRICTION FOR MILK .156 x .319 x .500
RESTRICTION LAIT .156 X .319 X .500

03CHO03
INLET WATER FUNNEL 6MM
ENTONNOIR D'ENTREE D'EAU

16CHO03
MILK WHIPPING MIXING BOWL
CHAMBRE DE MELANGE FOUETTEUR LAIT

03CHO04
WHIPPING CHAMBER
CHAMBRE DE MELANGE

ENCORE VENTI™
ENCORE VENTI MC



16MOT01 (REVERSED-INVERSE)
24V 220 RPM MILK INGREDIENT MOTOR
MOTEUR INGREDIENT LAIT 24V 220 RPM

04MOT01
24V 145 RPM INGREDIENT MOTOR
MOTEUR INGREDIENT 24V 145 RPM

05CAN01C-06
COUVERCLE

05CAN02-01
CONTENANT

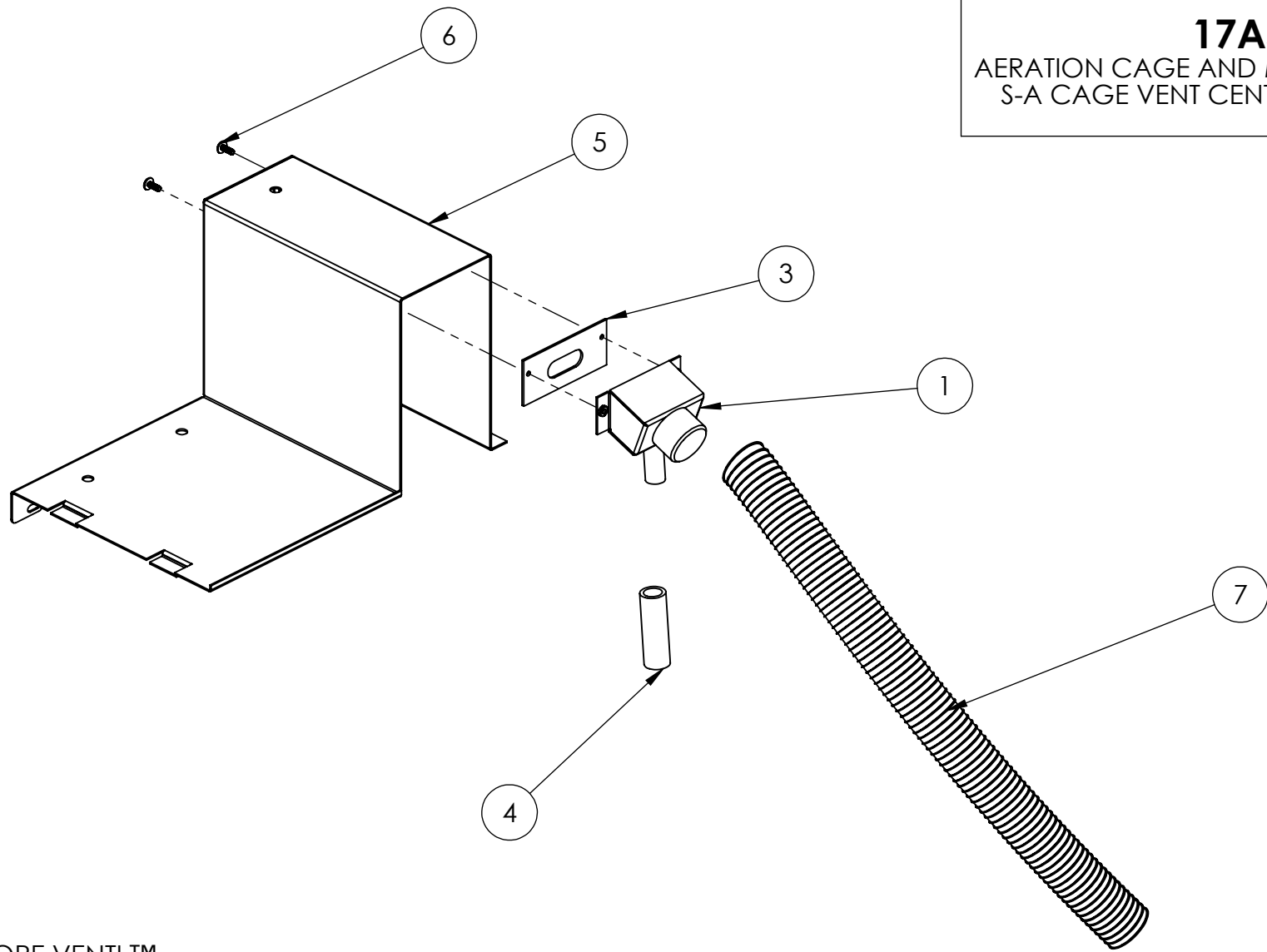
17ASS07

PECHO12
FUNNEL COVER
COUVERCLE D'ENTONNOIR

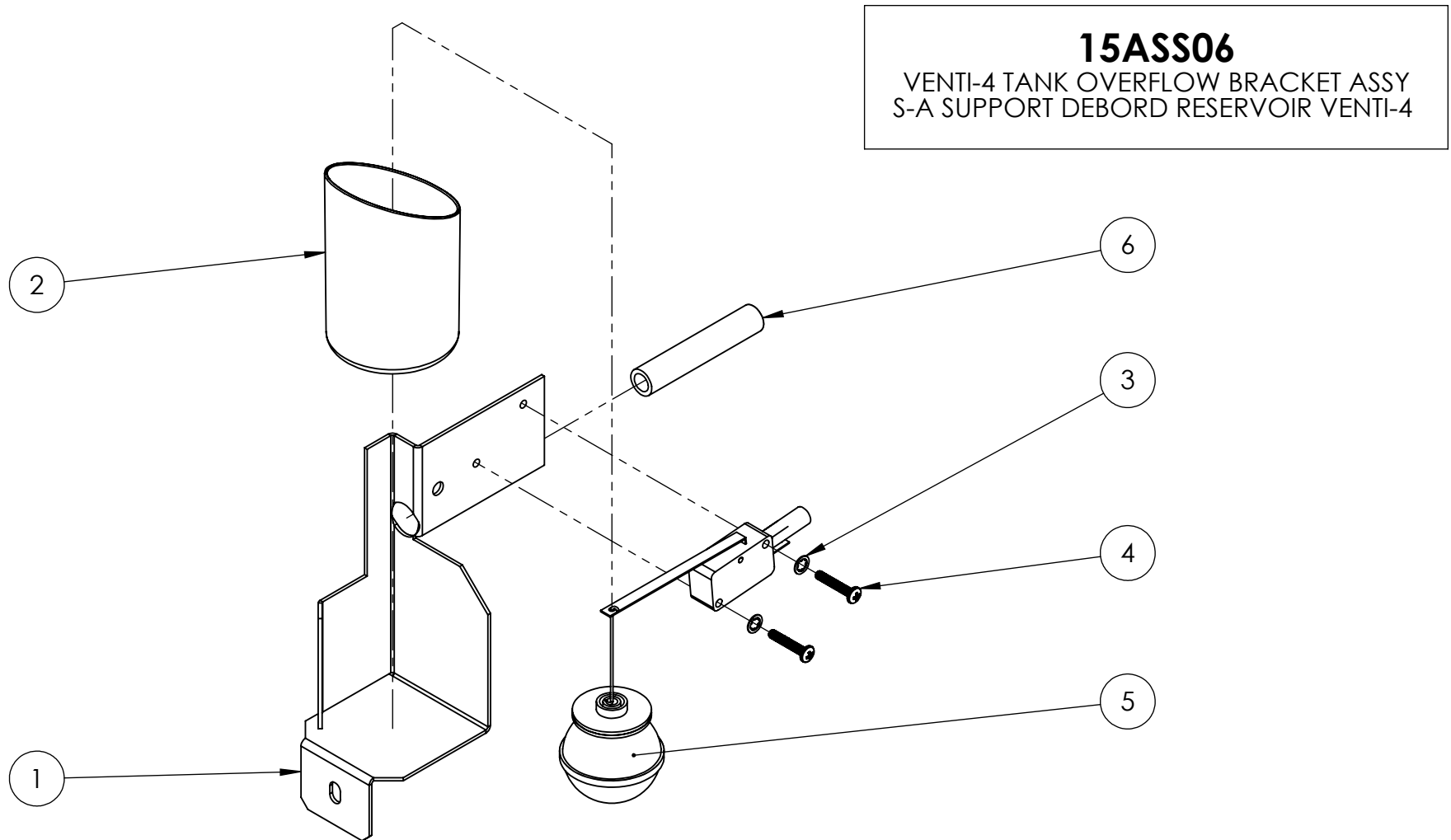
UGCHO05
90 DEG ELBOW FOR MIXING BOWL
COUDE SORTIE 90 DEG POUR CHAMBRE MELANGE

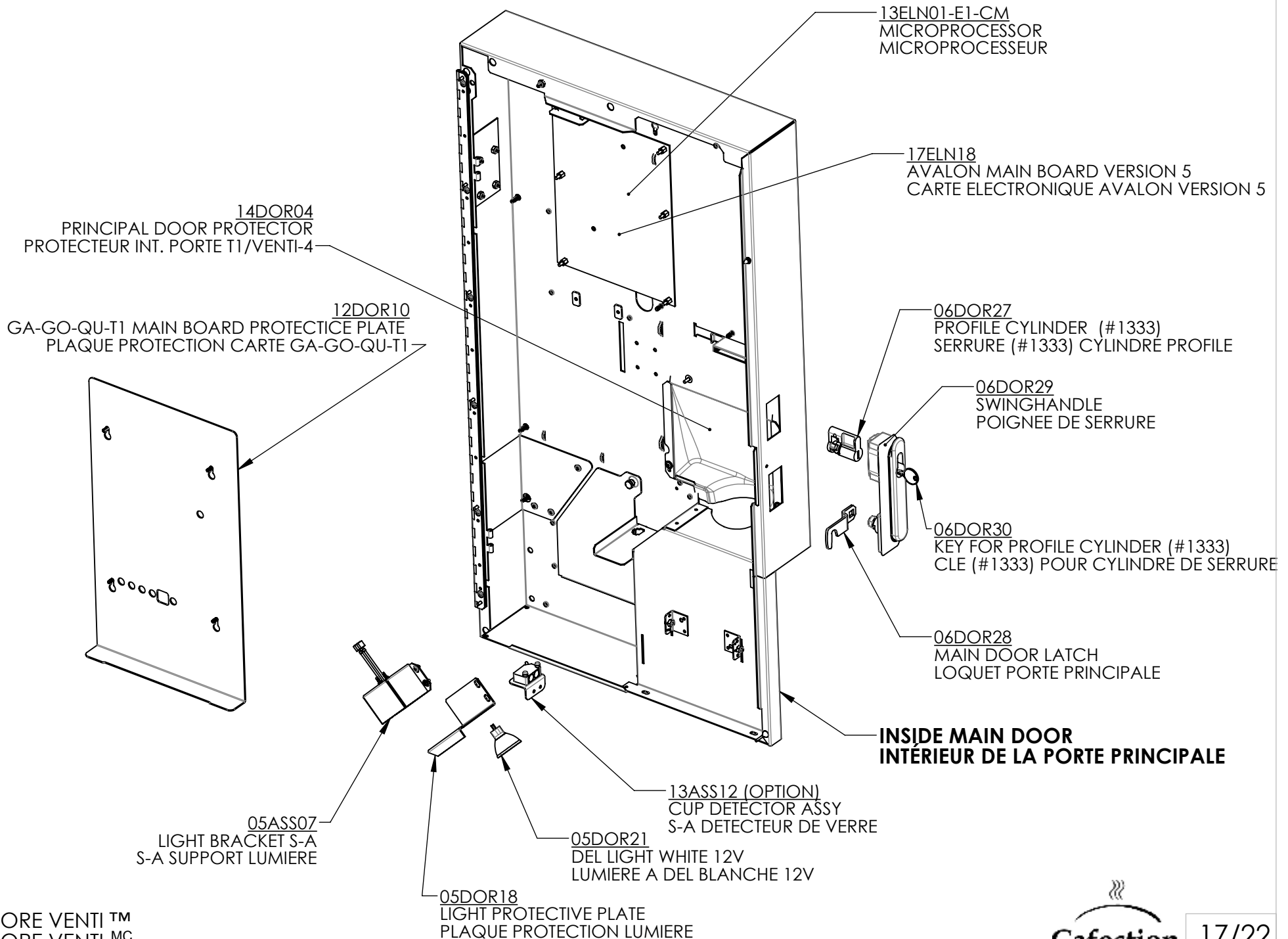
# Item	# Pièce	ENGLISH DESCRIPTION	DESCRIPTION FRANÇAISE	QTY/QTE
1	UGCAB06	CENTER AERATION CAGE	CAGE DE VENTILATION CENTRE	1
2	99FUR56	ADHESIVE TAPE 12MM X 55M	RUBAN TRANSFERT ADHESIF 12MM X 55M	2
3	UGCAB37	RUBBER SEAL	PLAQUE DE CAOUTCHOUC	1
4	13TAN10	CENTER DRAIN HOSE 20" (508 MM)	S-A TUYAU DRAIN CENTRE(BRUN) 20"(508 MM)	1
5	13CAB10	REMOVABLE SHELF FOR V4-EV	TABLETTE AMOVIBLE TOTAL 1 24 OZ	1
6	96HAR06	SCREW 6-32 X 3/8" TRUSS PHIL SS	VIS 6-32 X 3/8" TRUSS PHIL SS	2
7	13CAB17	UG CAGE-T FLEXIBLE HOSE 16 3/4" (425 MM)	TUYAU FLEX CAGE UG-TE 16 3/4" (425mm)	1

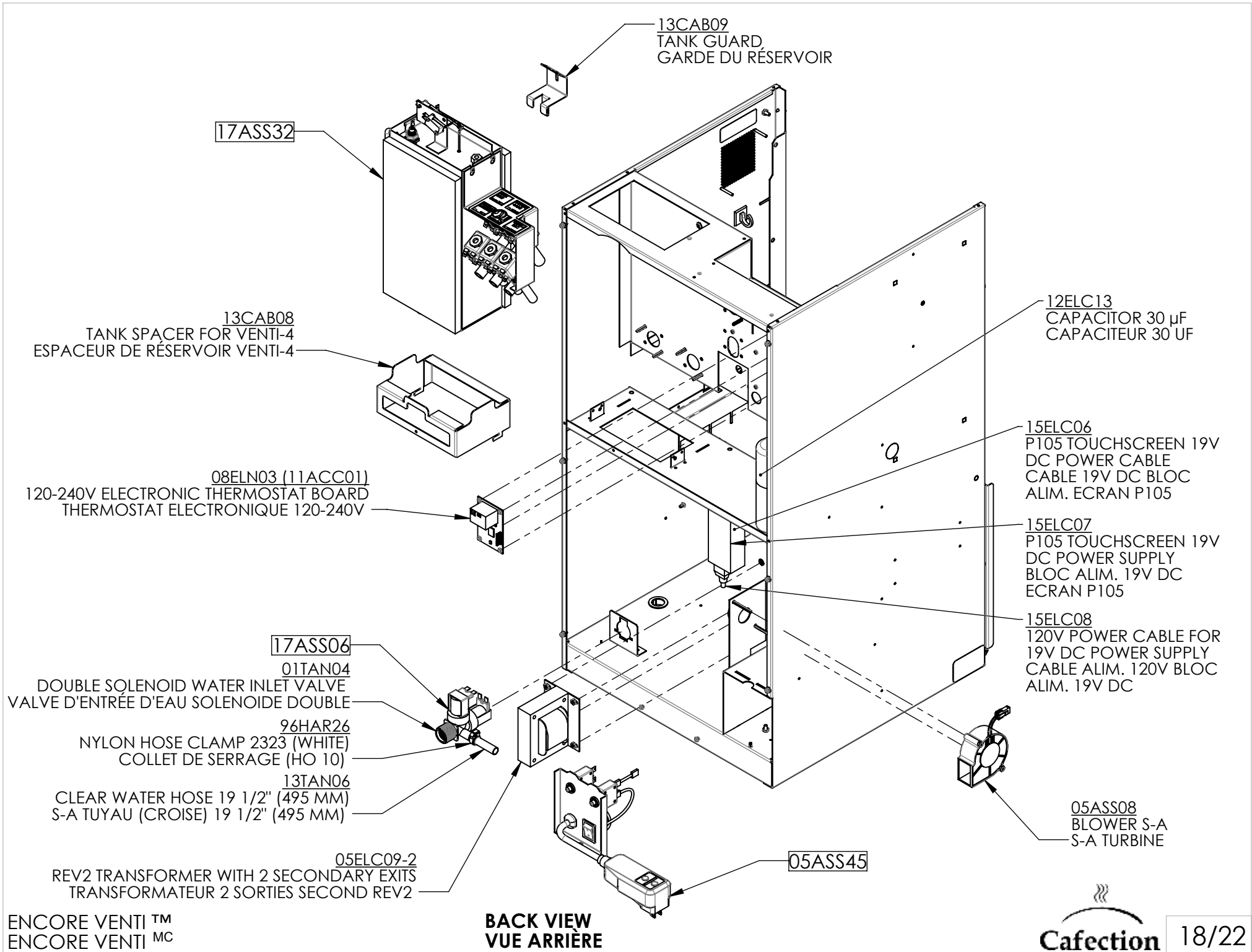
17ASS07
 AERATION CAGE AND MILK SHELF ASSY FOR V4
 S-A CAGE VENT CENTRE + TABLETTE LAIT V4



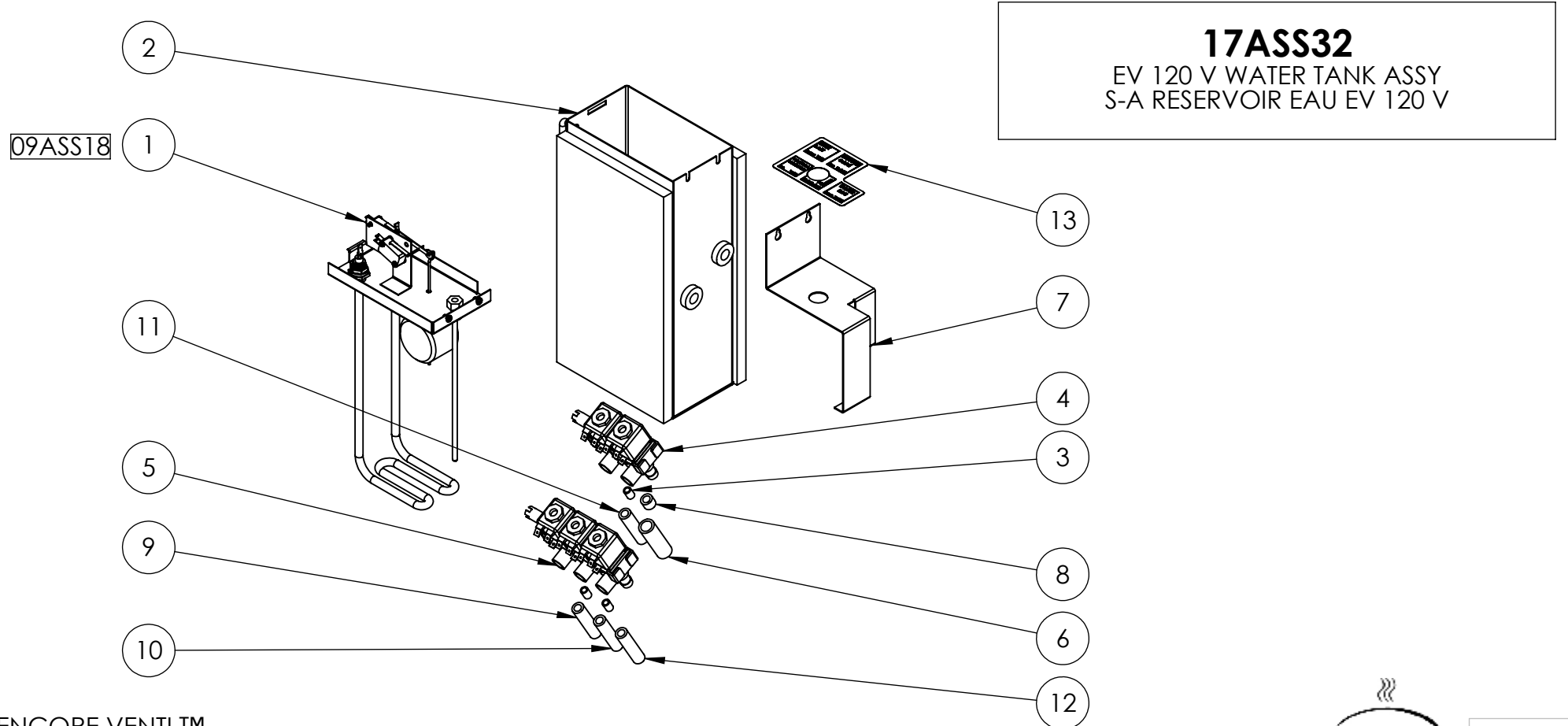
# Item	# Pièce	ENGLISH DESCRIPTION	DESCRIPTION FRANÇAISE	QTY/QTE
1	05CAB05	TANK OVERFLOW BRACKET AVALON	SUPPORT DEBORDEMENT RESERVOIR AVALON	1
2	96TAN19	OVERFLOW CUP	GOBELET DEBORDEMENT	1
3	96HAR04	TOOTH LOCKWASHER #4 (INTERNAL)	RONDELLE DE RETENUE #4 (INTERNE)	2
4	96HAR01	SCREW 4-40 X 5/8" PAN PH SS	VIS 4-40 X 5/8" PAN PH SS	2
5	96ASS17	OVERFLOW FLOAT S-A	S-A FLOTTE DEBORDEMENT	1
6	13TAN09	OVERFLOW HOSE (CLEAR PVC) 24" (610 MM)	TUYAU DEBORD (PVC) 24" (610mm)	1



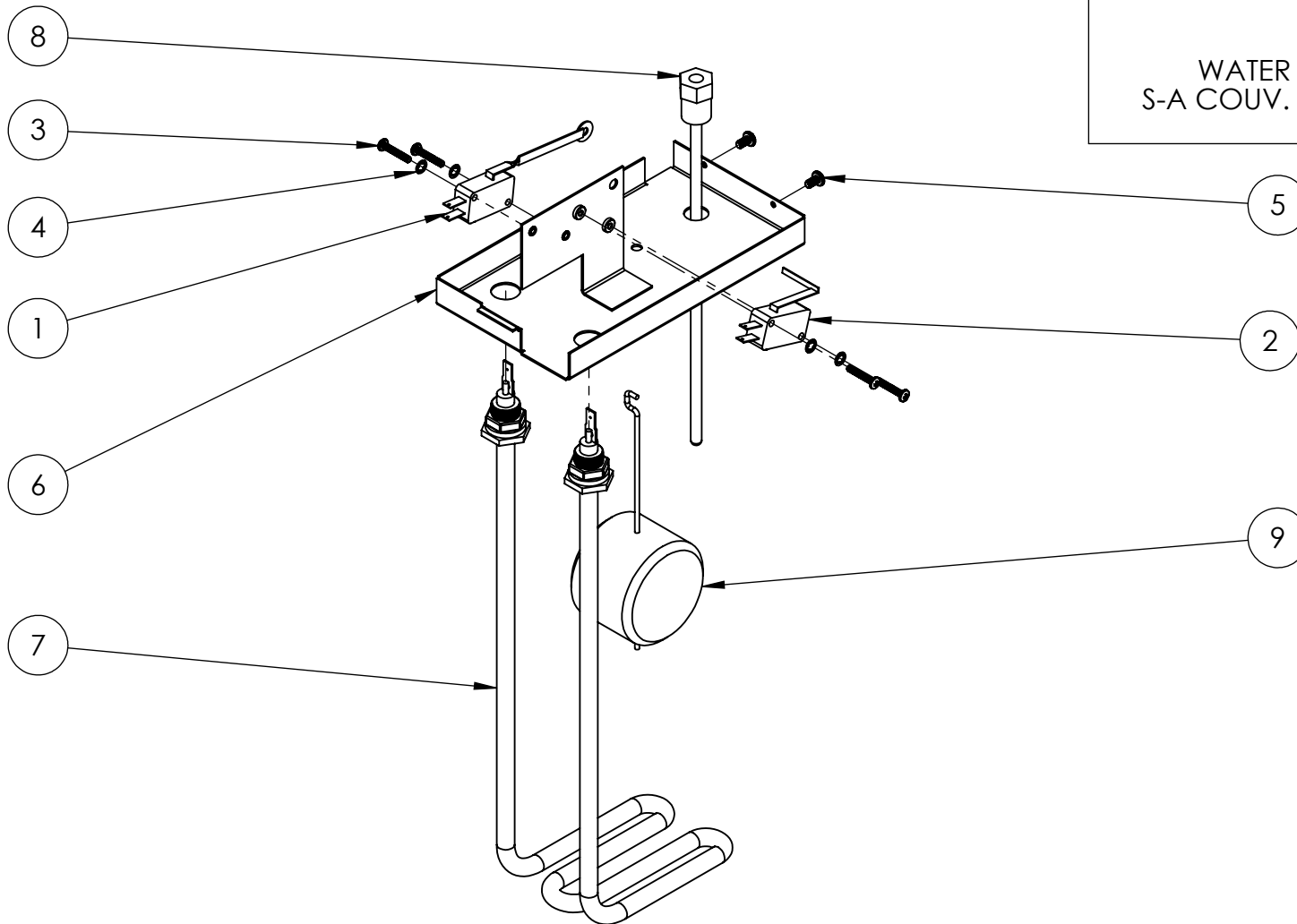




# Item	# Pièce	ENGLISH DESCRIPTION	DESCRIPTION FRANÇAISE	QTY/QTE
1	09ASS18	WATER TANK LID ASSY (PROBE)	S-A COUV. RESERVOIR COURT(SONDE)	1
2	07ASS08	3 SIDES ISOLATED TANK ASSY	S-A RESERVOIR ISOLE 3 FACES	1
3	PECHO08	SOLUBLE'S RESTRICTION.194 X .312 X .437	RESTRICTION SOLUBLE .194 X .312 X .437	3
4	PETAN07B-ADJ	ADJUSTED DOUBLE OUTLET VALVE	VALVE DE SORTIE DOUBLE AJUSTÉE	1
5	UGTAN01-ADJ	TRIPLE OUTLET VALVE (ADJUSTED)	VALVE DE SORTIE TRIPLE AJUSTÉE	1
6	05TAN33	BROWN COFFEE HOSE 14 3/4" (375MM)	S-A TUYAU CAFE (BRUN) 14 3/4"(375MM)	1
7	UGCAB23	VALVE SUPPORT GOURMET	SOUTIEN VALVES GOURMET	1
8	13TAN02	HOSE 3/8" (10 MM)	S-A TUYAU 3/8" (10MM)	1
9	14TAN02	HOSE 13" (330 MM)	S-A TUYAU 13" (330MM)	1
10	13TAN05	SOL 2 HOSE 12 1/4" (312 MM)	S-A TUYAU SOL 2 12-1/4" (312MM)	1
11	13TAN04	SOL 1 HOSE 8 5/8" (219 MM)	S-A TUYAU SOL 1 8-5/8" (219MM)	1
12	13TAN03	HOT WATER HOSE 29 1/2" (750 MM)	S-A TUYAU 29-1/2" (750MM)	1
13	15LAB17	VENTI-4 OUTLET VALVES IDENTIFIER LABEL	DECALQUE IDENTIFICATION VALVES VENTI-4	1



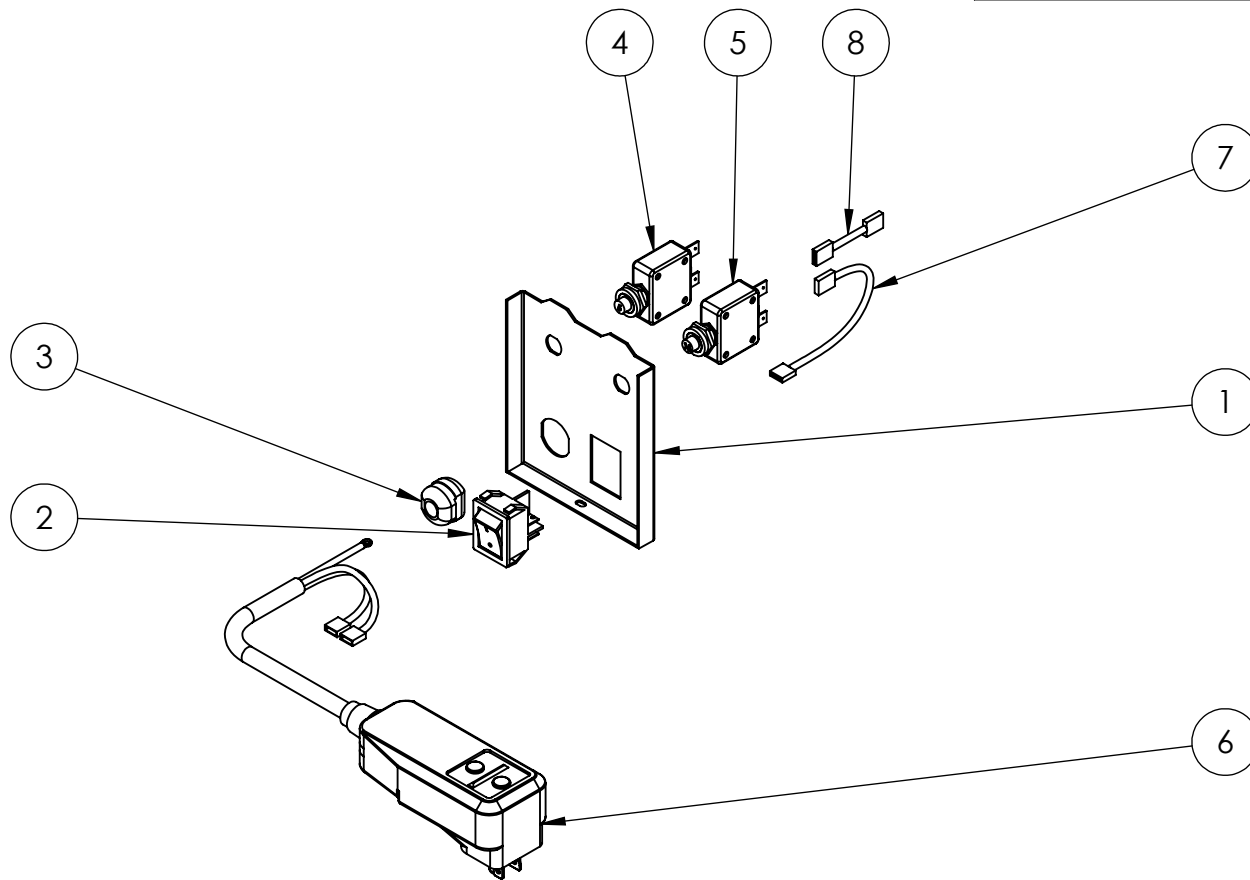
# Item	# Pièce	ENGLISH DESCRIPTION	DESCRIPTION FRANÇAISE	QTY/QTE
1	96ASS09	WATER LEVEL SWITCH S-A	S-A INTERRUPTEUR DE NIVEAU D'EAU	1
2	96ELC06	HEATER SAFETY SWITCH S-A	S-A INTERRUPTEUR CONTROLE DE CHALEUR	1
3	96HAR01	SCREW 4-40 X 5/8" PAN PH SS	VIS 4-40 X 5/8" PAN PH SS	4
4	96HAR04	TOOTH LOCKWASHER #4 (INTERNAL)	RONDELLE DE RETENUE #4 (INTERNE)	4
5	SBHAR51	SCREW 6-32 X 1/4" PAN PHIL SS	VIS 6-32 X 1/4" PAN PHIL SS	2
6	09TAN02	SHORT HOT WATER TANK LID (PROBE)	COUVERCLE RESERVOIR COURT (SONDE)	1
7	PETAN03	ELEMENT 1250W SHORT	ELEMENT COURT 1250W	1
8	13ELC01	PROBE AND CONNECTOR 15"	SONDE ET CONNECTEUR 15"	1
9	96ASS15	HOT WATER TANK FLOAT S-A	S-A FLOTTE RESERVOIR A EAU	1



09ASS18
 WATER TANK LID ASSY (PROBE)
 S-A COUV. RESERVOIR COURT (SONDE)

# Item	# Pièce	ENGLISH DESCRIPTION	DESCRIPTION FRANÇAISE	QTY/QTE
1	05CAB03	BOX ELECTRIC DOOR FOR AVALON	PORTE BOITE ELECTRIQUE AVALON	1
2	16ELC01	MAIN SWITCH ON/OFF	INTERRUPTEUR PRINCIPAL ON/OFF	1
3	03HAR32	STRAIN RELIEF BUSHING (BLACK) FOR POWER	BAGUE ANTI-TRACTION POUR POW (NOIRE)	1
4	96ELC14	BREAKER 5 AMP	DISJONCTEUR 5 AMP	1
5	96ELC13	BREAKER 15 AMP	DISJONCTEUR 15 AMP	1
6	15ELC02	POWER CABLE WITH TOWER GFCI ASSY	S-A CABLE ALIMENTATION GFCI TOWER	1
7	03ELC23-A	30 WIRE 14GA BLACK 4"	FIL #30 NOIR 14 GA 4"	1
8	03ELC23-B	31 WIRE 14GA BLACK 4"	FIL #31 NOIR 14 GA 4"	1

05ASS45
GFCI ELECTRIC PANNEL ASSY FOR AVALON
S-A PANNEAU ELECTRIQUE GFCI AVALON



# Item	# Pièce	ENGLISH DESCRIPTION	DESCRIPTION FRANÇAISE	QTY/QTE
1	01TAN04	DOUBLE SOLENOID WATER INLET VALVE	VALVE D'ENTRÉE D'EAU SOLENOIDE DOUBLE	1
2	13TAN06	CLEAR WATER HOSE 19 1/2" (495 MM)	S-A TUYAU (CROISE) 19 1/2" (495 MM)	1
3	96HAR26	NYLON HOSE CLAMP 2323 (WHITE)	COLLET DE SERRAGE (HO 10)	1

17ASS06
VENTI 4 INLET VALVE ASSY
S-A VALVE ENTRÉE D'EAU

