

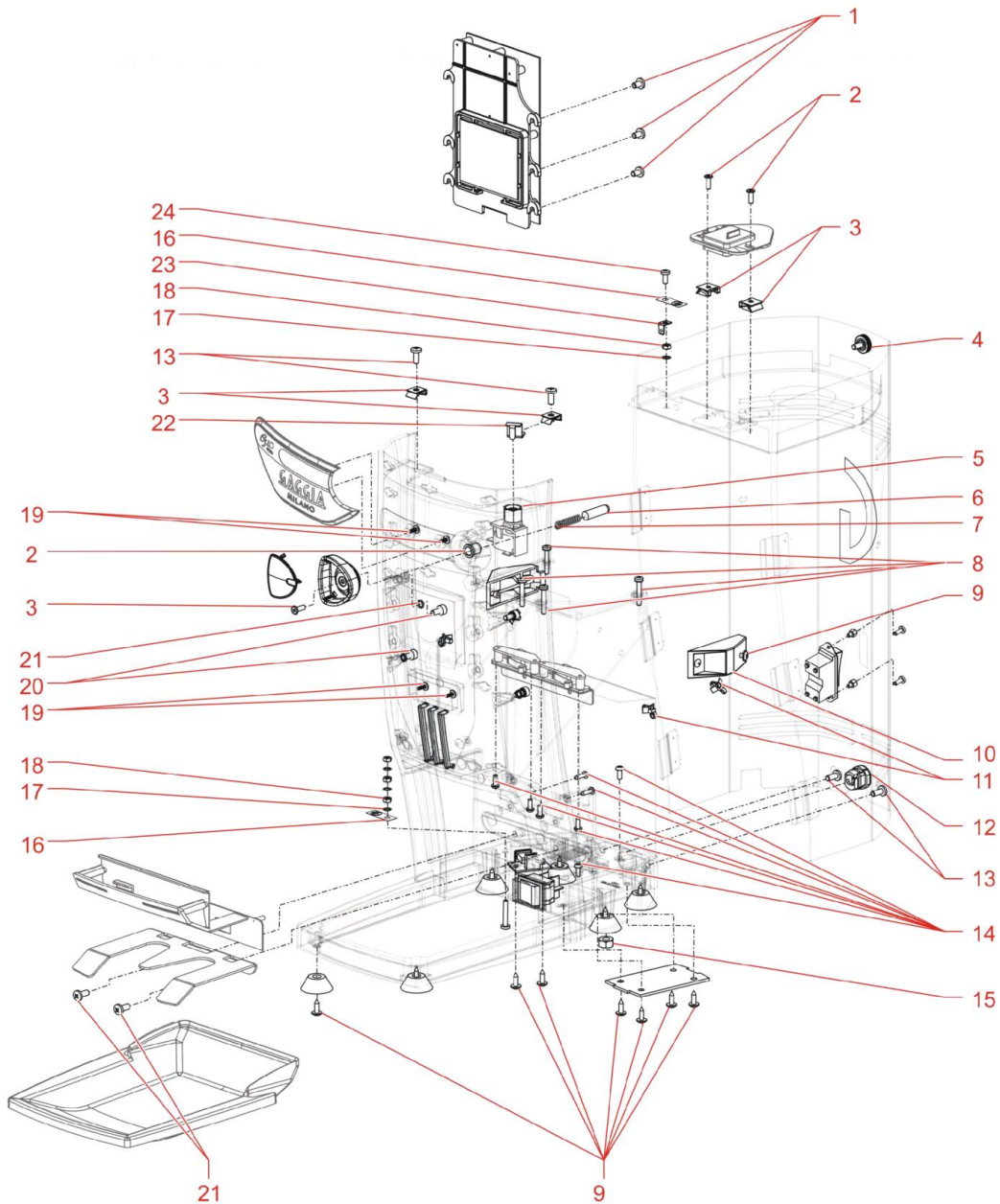
Pos.	Item	Repl. by	Description	Notes	Price (USD)
0001	09107230		CPU ASSEMBLY WITH DISPLAY		
0002	09107300		DISPLAY SUPPORT		
0003	09120400		BLUETOOTH BOARD MODULE		
0004	09104910		HOPPER MICROSWITCH - G10 EVO		
0005	09104920		MICROSWITCH SUPPORT		
0006	09104800		MICROSWITCH FIXATION NUT		
0007	09109000		HOLE COVER	115V 60HZ	
0008	09119100		BLACK REAR COVER	220/230V 50/60HZ	
0008	09119110		WHITE REAR COVER	220/230V 50/60HZ	
0008	09119120		BRONZE REAR COVER	220/230V 50/60HZ	
0008	09123200		BLACK REAR COVER	115V 60HZ	
0008	09123210		WHITE REAR COVER		
0008	09123220		BRONZE REAR COVER	115V 60HZ	
0009	09105000-03		FIXED COVER		
0010	09105000-02		MOBILE COVER		
0011	09105000-01		CLOSURE JOINT		
0012	09109600		HOPPER SCREW		
0013	09000551		MICROSWITCHES FASTENER		
0014	09000208		V-166-1C5 MICROSWITCH - G10		
0015	09000784		LOWER MICROSWITCHES SUPPORT		
0016	09000633		UPPER MICROSWITCHES SUPPORT (ISOLATOR)		
0017	08559700		SRV-R-10 RICHO CABLE CLAMP		
0018	09000117		START UP CAPACITOR	115V 60HZ	
0018	09000118		CAPACITOR - G10 EVO	220/230V 50/60HZ	
0019	09108600		TRANSFORMER - G10 EVO		
0019	09108610		TRANSFORMER 115V-21V/2.4A		
0020	09000632		MACHINE BODYWORK LOWER COVER		
0021	04127916		CAPACITOR NUT		
0022	09108300		USB PCB - G10 EVO		
0023	09418100		USB COVER		
0024	07967020		ON/OFF SWITCH - G10 EVO		
0024	09000210		SWITCH 115V-21V/2.4A		
0025	09000632		MACHINE BODYWORK LOWER COVER		
0026	09119000		GRINDER BLACK MAIN BODY		
0027	09103000		SCREW FOR FOOT - G10 EVO		
0028	2600/010133		FOOT FOR GRINDER - G10 EVO		
0029	09119400	298305	FRONT LOWER EMBELLISHER		
0030	09108100		LOWER TRAY - G10 EVO		
0031	09111200		FILTER HOLDER GUIDE		
0032	09000548		MACHINE BODYWORK PROTECTOR		
0033	09001121		GRINDER MICROSWITCH PROTECTOR		
0034	09000786		DOOR PROTECTION		
0035	09119310	298304	UPPER FRONT LOGO		
0036	09119600		REGULATION HANDLE KNOB COVER		
0037	09119500		REGULATION HANDLE KNOB		
0038	09105000		DISTRIBUTOR COVER ASSY		

Pos.	Item	Repl. by	Description	Notes	Price (USD)
0039	09000950		MICROSWITCH SUPPORT		
0040	09110200		TRANSFORMER PROTECTION		
0041	09000410		CLEANING STICK 30x410		
0042	04592800		SELF-TAPPING SCREW 2.3X8 CELOCL81Z FE ZN		

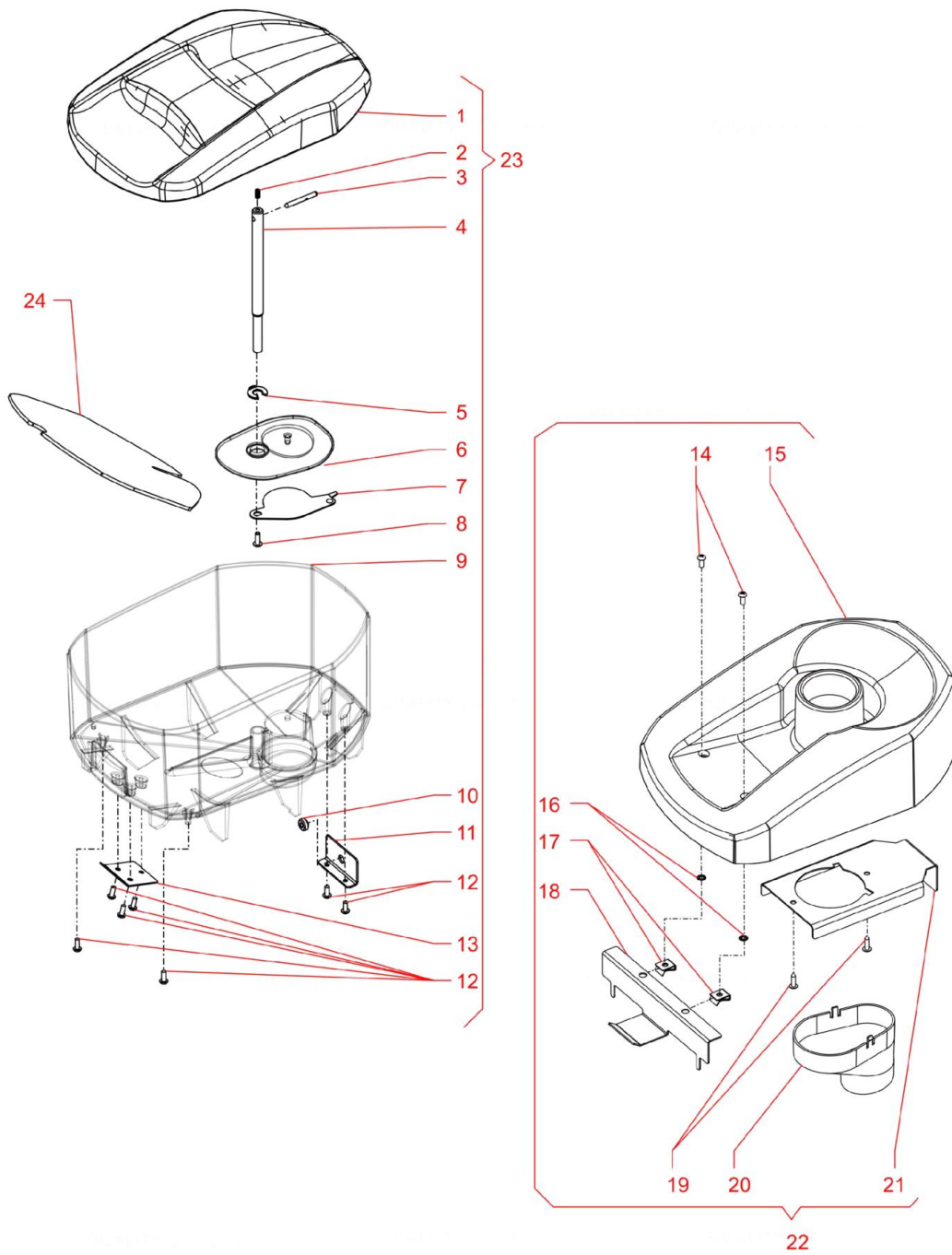


G10 EVO E-LINK - 230V 50/60HZ_120V 60HZ

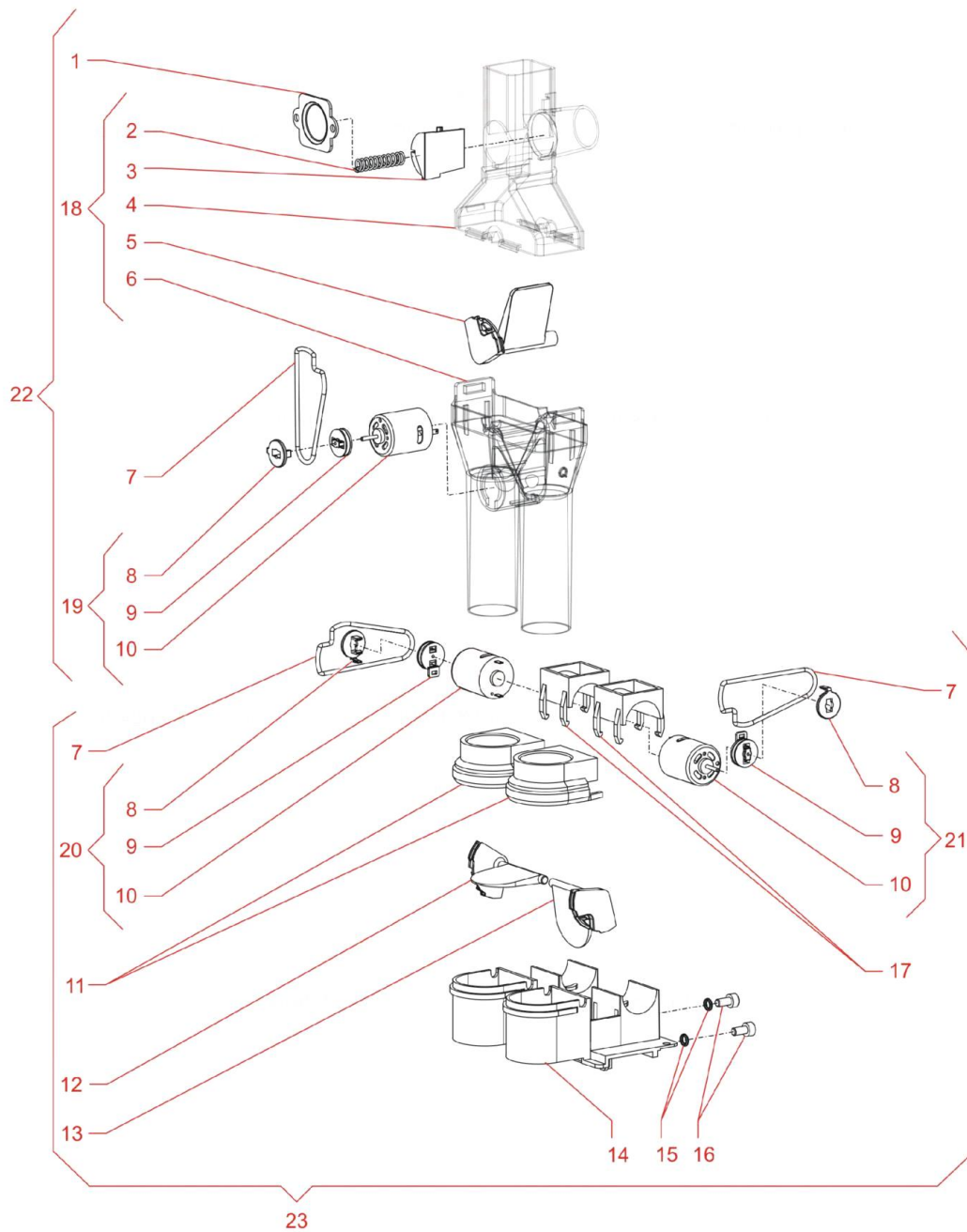
Machine Screws Nuts And Bolts



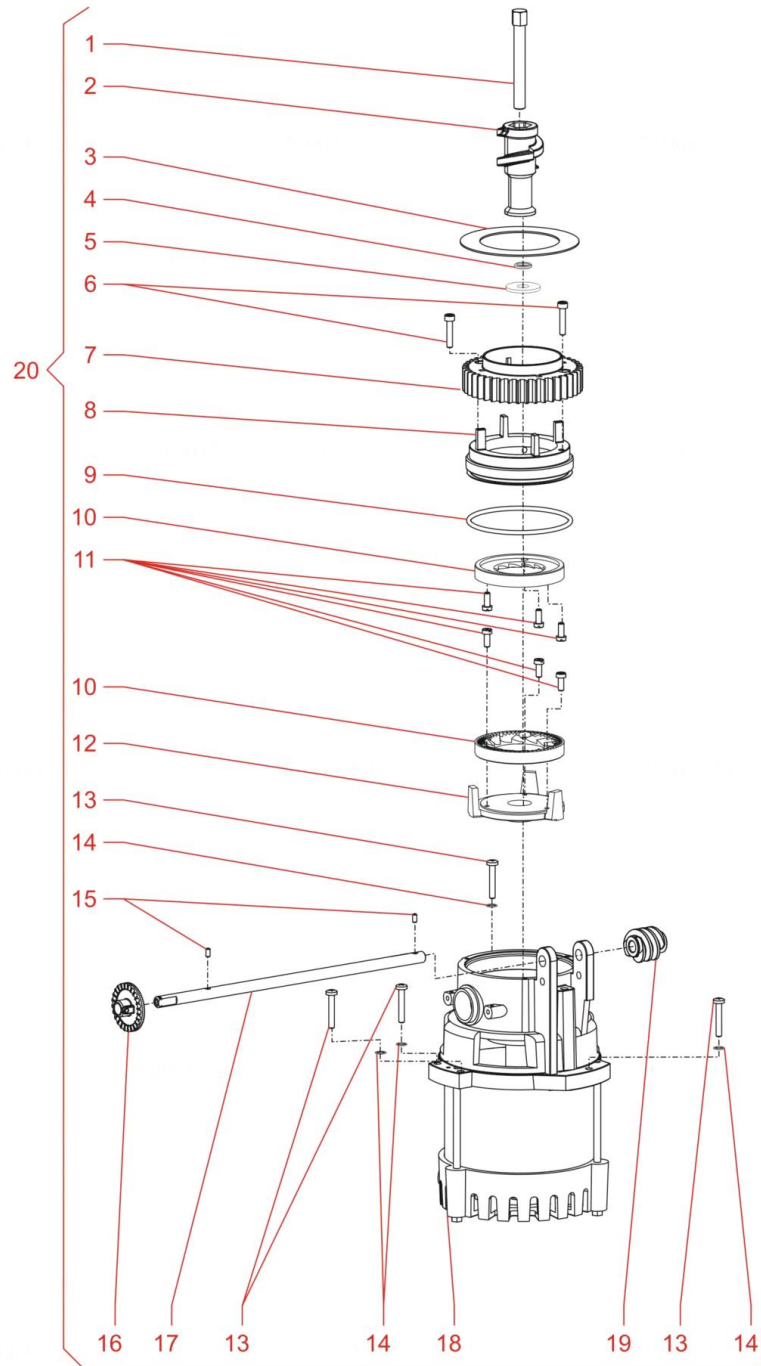
Pos.	Item	Repl. by	Description	Notes	Price (USD)
0001	04591700		M5X8 SCREW		
0002	04596601		M4X12 SCREW		
0003	05118400		NUT		
0004	09109700		M5 SCREW		
0005	09104800		MICROSWITCH FIXATION NUT		
0006	09000421		BLOCKER		
0007	09000682		BLOCKING SPRING		
0008	04592000		M4X20 SCREW		
0009	09103000		SCREW FOR FOOT - G10 EVO		
0010	09103700		SPACER SUPPORT		
0011	09101700		CLAMP		
0012	08559700		SRV-R-10 RICHO CABLE CLAMP		
0013	04548000		M5X12 SCREW		
0014	09000036		3.9X9.5 SELF-TAPPING SCREW		
0015	04127916		CAPACITOR NUT		
0016	010432201				
0017	04868100		Ø4 TOOTHED WASHER		
0018	04127619		NUT EX/M 4 D934 FE/ZN		
0019	04408400		SCREW 3.1X10		
0020	09000024		M5X10 ALLEN SCREW		
0021	05128202		WASHER		
0022	09109500		MICROSWITCH PLATE		
0023	08507900		FIXING PLATE		
0024	09000018		PHILIPS SCREW .4x10D7985 STAINLESS		



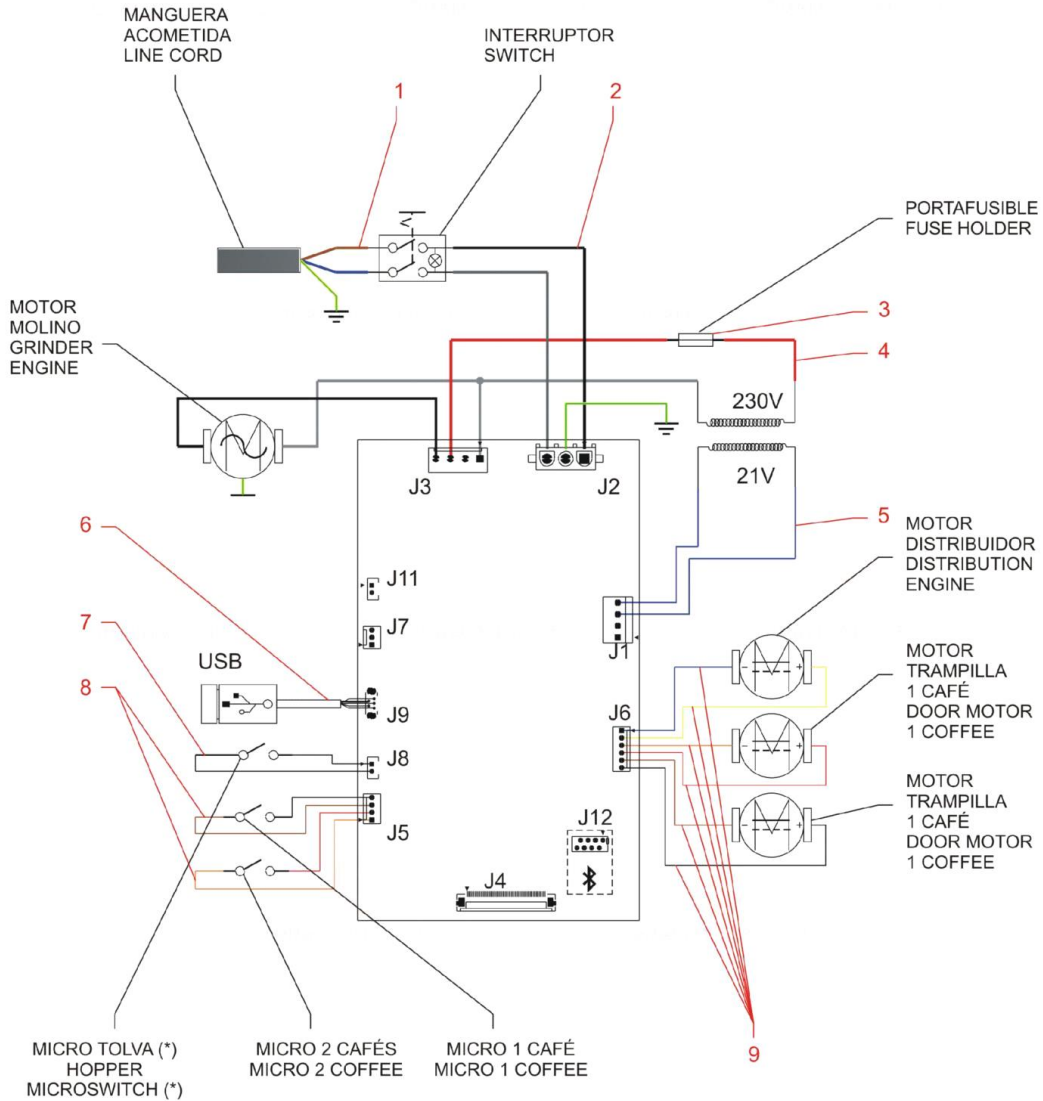
Pos.	Item	Repl. by	Description	Notes	Price (USD)
0001	09119200		HOPPER COVER		
0002	09000052		M4X10 SCREW		
0003	09000424		HOPPER CLOSER HANDLE		
0004	09404210		HOPPER CLOSER SHAFT		
0005	09104600		STOPPING RING		
0006	09000631		SECURITY PROTECTION		
0007	09104700		HOPPER CLOSER		
0008	04596601		M4X12 SCREW		
0009	09000566		HOPPER		
0011	09000790		HOPPER BLOCKING METAL SHEET		
0012	09000036		3.9X9.5 SELF-TAPPING SCREW		
0013	09109400		FRONT HOPPER FIXATION		
0014	04596601		M4X12 SCREW		
0015	09102100		ADAPTER FOR COFFEE TINS		
0016	02161206		4.3X9X0.8 DIN 125 WASHER		
0017	05118400		NUT		
0018	09109800		DIVERTER FRONT SUPPORT METAL SHEET		
0019	04592101		4.2X13 SELF-TAPPING SCREW		
0020	09102200		ADAPTER DIVERTER		
0021	09102400		DIVERTER SUPPORT METAL SHEET		
0022	NT0929		COFFEE TIN ADAPTER KIT		
0023	09116600		HOPPER ASSEMBLY - G10 EVO		
0024	09110600		HOOPER TABLE		



Pos.	Item	Repl. by	Description	Notes	Price (USD)
0001	09000783		DISTRIBUTER COVER SPRING		
0002	09000683		DISTRIBUTER COVER		
0003	09120000		INLET WALL		
0004	09000680		DISTRIBUTER MAIN BODY		
0005	09103200		DISTRIBUTER DOOR		
0006	09000538		DOSING MAIN BODY		
0007	09000302		TRANSMISSION BELT - Q10		
0008	09110900		ENGINE PULLEY COVER		
0009	09110800		PULLEY		
0010	09105900		DISTRIBUTOR ASSY - G10 EVO		
0011	09000540		DOORS COVER		
0012	09103400		LEFT DOOR		
0013	09103300		RIGHT DOOR		
0014	09000542		DOORS SUPPORT		
0015	05128202		WASHER		
0016	09000024		M5X10 ALLEN SCREW		
0017	09000539		ENGINE CLAMPS		
0018	09105900		DISTRIBUTOR ASSY - G10 EVO		
0019	09001131		MOTOR AND PULLEY ASSY-G10 EVO		
0020	09001205		MOTOR-DOUBLE-ASSY-G10 EVO		
0021	09001207		MOTOR-SINGLE-ASSY-G10 EVO		
0022	09104200	298318	GRINDER DOSING ASS. - Q10		
0023	09000947		DOORS ASS.		



Pos.	Item	Repl. by	Description	Notes	Price (USD)
0001	09103900		DRAG SPIRAL SHAFT		
0002	08660100		DRAG SPIRAL		
0003	09111800		TOOTHED CROWN SILICONE GASKET		
0004	09000070		DIN 7980 GROWER WASHER		
0005	09000084		DIN9021 WASHER		
0006	09000030		M4 ALLEN SCREW		
0007	09111100		REGULATION TOOTHED CROWN		
0008	09000709		UPPER GRINDER HOLDER		
0009	09000417		NBR 70X3 O-RING		
0010	09000298		GRINDER TEETH -Q10- 2 PER SET		
0011	04408600		SCREW M4X10		
0012	09000708		LOWER GRINDER HOLDER		
0012	09123000		LOWER GRINDER HOLDER	VERS. UL	
0013	04592000		M4X20 SCREW		
0014	04868100		Ø4 TOOTHED WASHER		
0015	05198100		M3X6 DIN 912 PIN		
0016	09419500		MILLING ADJUSTER DISK		
0017	09419130		GRINDER REGULATOR		
0018	09001048		230 V 50/60 HZ ENGINE	220/230V 50/60HZ	
0018	09001050		MOTOR	115V 60HZ	
0019	09419200		MILLING ADJUSTER WORM		
0020	09119800		MOTOR ASSEMBLY - G10 EVO	220/230V 50/60HZ	
0020	09119810		MOTOR ASSEMBLY	115V 60HZ	



Pos.	Item	Repl. by	Description	Notes	Price (USD)
0001	09000262		CEE HO7RN-F 3 MM LINE CORD	220/230V 50/60HZ	
0001	09001233		USA POWER CABLE	115V 60HZ	
0002	09001214		230 V MAIN SWITCH CABLE		
0002	09106500		230V FUSE HOLDER		
0003	08671800		230 V AERIAL FUSE HOLDER		
0003	08671900		115V FUSE HOLDER		
0004	09108900		TRANSFORMER CABLE		
0005	09108900		TRANSFORMER CABLE		
0006	09108500		USB CABLE		
0007	09001218		MICROSWITCHES CABLE		
0008	09001217		ENGINE CABLE		
0009	09105500		GROUND CONNECTION CABLE		