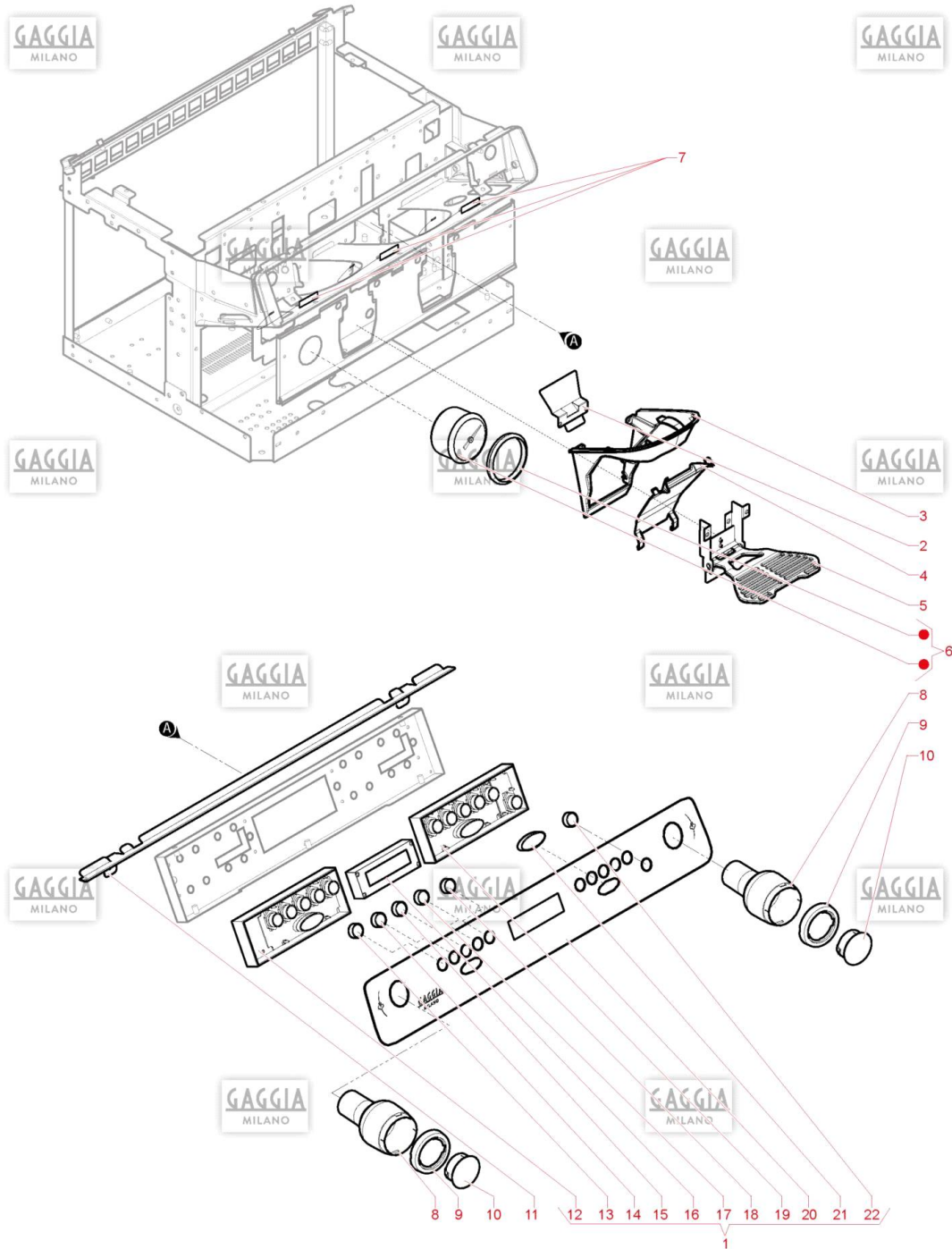
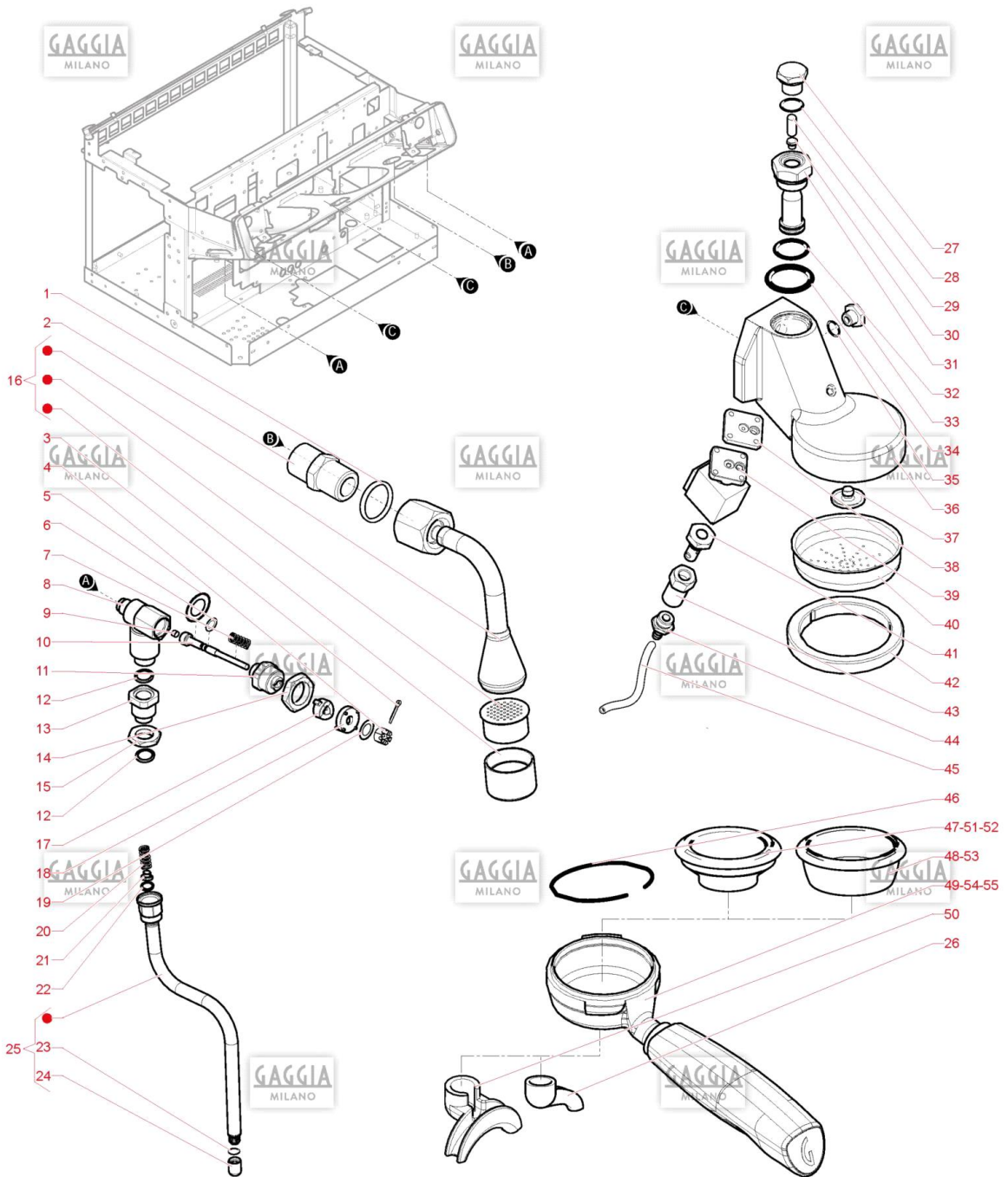


Pos.	Item	Repl. by	Description	Notes	Price (USD)
0001	263022		REAR AIR GRILLE -2G-	2GR	
0002	263014		2G REAR RACK PROTECTION - MATTBLACK-	2GR	
0003	263015		2G TOP RACK REAR PROTECTION -TALL-PEARL WHITE-	2GR	
0004	263020		ANTI-DRIP RACK -2G-	2GR	
0005	262986		SIDE PLEXIGLASS		
0006	263005		TOP RACK LEFT SIDE -PEARL WHITE-		
0007	262985		PLEXIGLASS WITH LOGO		
0008	262987		PLEXIGLASS SUPPORT PROFILE		
0009	262146		WHITE LED STRIP+ PVC 12V PAS16.5		
0010	263011		2G REAR PANEL -PEARL WHITE-	2GR	
0011	263001		LEFT SIDE -PEARL WHITE-		
0012	263009		LEFT SIDE PANEL -PEARL WHITE-		
0013	263097		CAP		
0014	263007		LEFT SIDE FRAME -PEARL WHITE-		
0015	263003		LEFT EDGE FOR BASIN -PEARL WHITE-		
0016	264632		ADJUSTABLE FOOT -LAGIUSTA		
0017	262113		DISCAHRGE TRAY		
0018	262993		BASIN -2G-	2GR	
0019	263006		TOP RACK RIGHT SIDE -PEARL WHITE-		
0020	263016		2G TOP RACK REAR PROTECTION-TALL-PEARL WHITE-	2GR	
0021	263021		TOP CUP GRID -2G-	2GR	
0022	263002		RIGHT SIDE -PEARL WHITE-		
0023	263008		RIGHT SIDE FRAME -PEARL WHITE-		
0024	263010		RIGHT SIDE PANEL -PEARL WHITE-		
0025	264646		PROTGROUPS_2G_TALL	2GR TALL	
0026	263042		2G UNIT FRONT PANEL -TALL-	2GR TALL	
0027	264647		EV PROTECTION LOAD		
0028	263004		RIGHT EDGE FOR BASIN - PEARL WHITE-		
0029	263013		2G LOW FRONT PROTECTION - PEARLWHITE-	2GR	
0030	263012		2G LOW INNER PROTECTION - PEARLWHITE-	2GR	
0031	262984		603X153 WIRE RACK -2G-	2GR	
0032	263098		MALE CLIP VL-M3 - SPECIALINSERT		
0033	264201		AERATOR		
0034	264053		31X31 NYLON GRID		

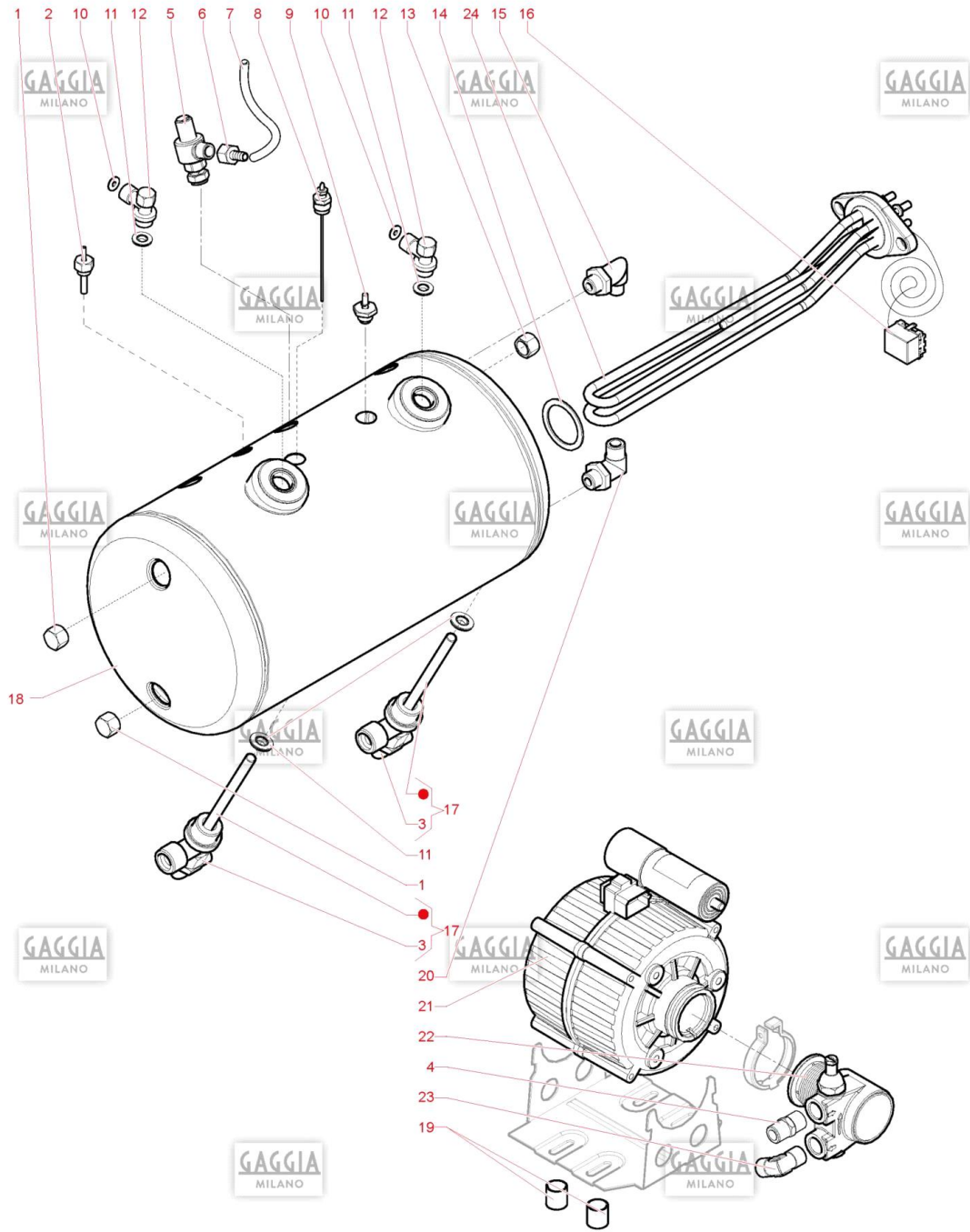


Pos.	Item	Repl. by	Description	Notes	Price (USD)
0001	262999		FRONT KIT WITH KEYPADS AND DISPLAY -2G-	2GR	
0002	264648		EV PROTECTION GROUP		
0003	263039		GROUP COVER -TALL-	TALL GROUP	
0004	263040		UNIT COVER LID -TALL-	TALL GROUP	
0005	262964		CUP TRAY - LA GIUSTA	TALL GROUP	
0006	262994		Ø60 PRESSURE GAUGE		
0007	262319		LIGHT LED 5500K		
0008	262990		STEAMTAP KNOB		
0009	262991		FRAME FOR STEAMTAP KNOB		
0010	262992		CAP FOR STEAMTAP KNOB		
0011	263018		2G FRONT TOP PROTECTION-TALL-MATT BLACK-	2GR	
0012	263099		1 UNIT KEYPAD -laGIUSTA-G		
0013	263100		KEYPAD "1 ESPRESSO" DOSE KEY-laGIUSTA-G		
0014	263101		KEYPAD "2 ESPRESSO" DOSE KEY-laGIUSTA-G		
0015	263102		KEYPAD "CONTINUO" DOSE KEY -laGIUSTA-G		
0016	263103		DISPLAY TOUCH - LA GUISTA		
0017	263104		KEYPAD "1 COFFEE" DOSE KEY-laGIUSTA-G		
0018	263105		KEYPAD "2 COFFEE" DOSE KEY-laGIUSTA-G		
0019	263106		UNIT 2 KEYPAD -laGIUSTA-G		
0020	263107		2G PMMA FRONT PANEL - laGIUSTA-G	2GR	
0021	263108		KEYPAD ¿PURGE¿ KEY - laGIUSTA-G		
0022	263109		KEYPAD "H2O" DOSE KEY - laGIUSTA-G		

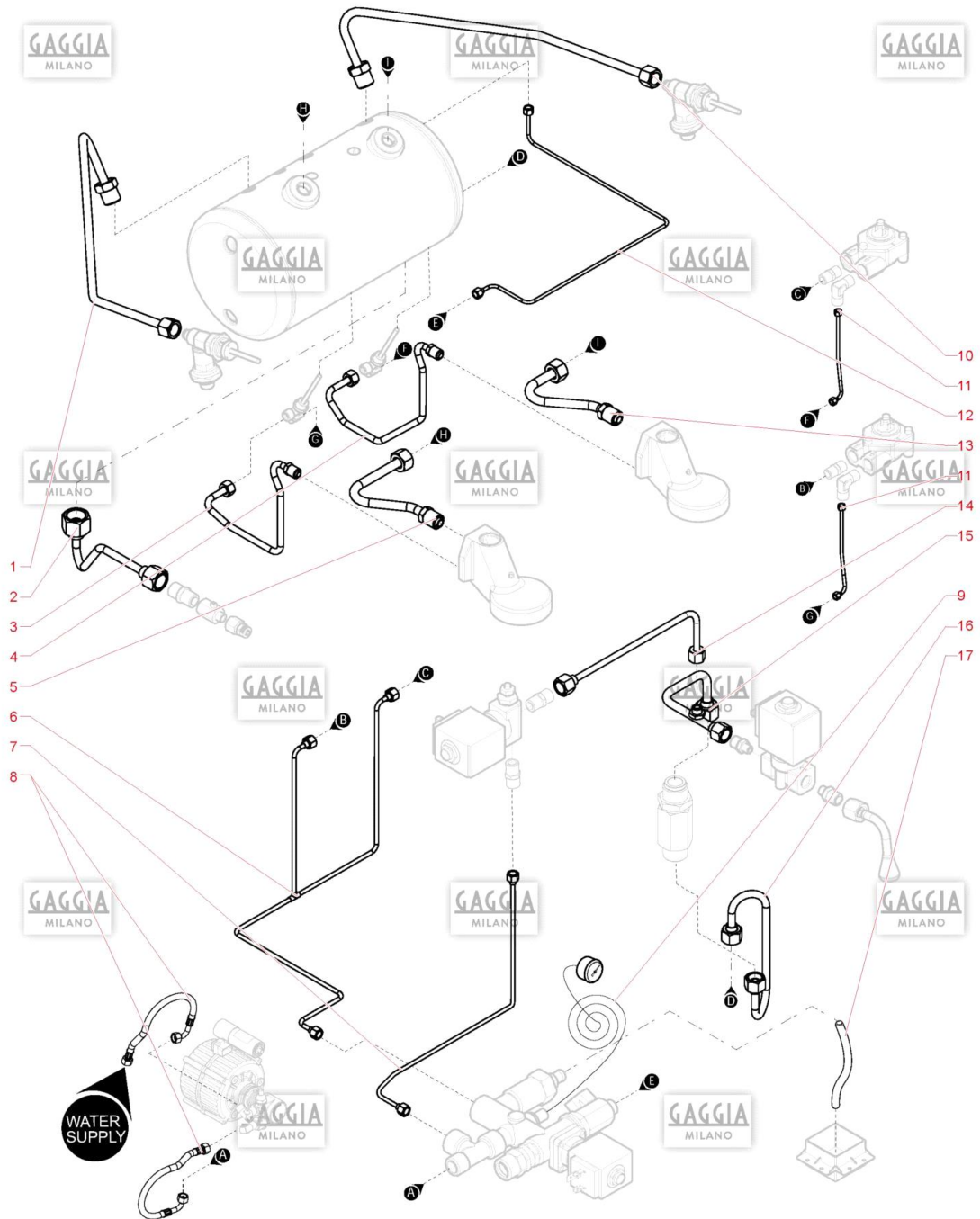


Pos.	Item	Repl. by	Description	Notes	Price (USD)
0001	262082		NICKEL-PLATED NUT SUPPORT 3/8TH.6MM		
0002	262099		REDUCTION ES20 1/4-3/8 M-M		
0003	263110		STEAM TAP SPLIT PIN - laGIUSTA-G		
0004	263111		STEAM STEEL TAP NUT - laGIUSTA-G		
0005	263112		STEAM TAP COPPER SEAL - laGIUSTA-G		
0006	263113		STEAM O-RING TAP PIN - laGIUSTA-G		
0007	263114		STEAM TAP SPRING - laGIUSTA-G		
0008	263115		STEAM TAP BODY -laGIUSTA-G		
0009	263116	263117	STEAM TAP PIN SEAL - laGIUSTA-G		
0010	263117		STEAM TAP PIN -laGIUSTA-G		
0011	263118		STEAM TAP FRONT FITTING - laGIUSTA-G		
0012	263119		STEAM TAP WAND TEFLON SEAL		
0013	262978		WAND EXTENSION FITTING		
0014	263120		M26x1 H4 AISI303 NUT		
0015	262971		M24X1.5 BRASS NUT		
0016	262225		WATER HOSE ASS.		
0017	263121		STEAM TAP FIXED LEVER - laGIUSTA-G		
0018	263122		STEAM TAP MOBILE LEVER - laGIUSTA-G		
0019	263123		STEAM TAP BRASS WASHER - laGIUSTA-G		
0020	263124		WAND SPRING (TAP) STEAM		
0021	263125		WAND SPRING (TAP) STEAM		
0022	263126		STEAM WAND TEFLON SEAL - laReale-G		
0023	262323		STEAM WAND NOZZLE OR		
0024	262322		STEAM WAND NOZZLE		
0025	262226		STEAM WAND ASS.		
0026	262127		OPEN BENT 1-WAY SPOUT		
0027	262186		CLOSING CAP		
0028	262187		GROUP CAP SEAL		
0029	262188		GIGLER FILTER		
0030	262189		GROUP GIGLE D.O.8		
0031	262190		GROUP PUSHBUTTON		
0032	262191		PUSHBUTTON OR Ø26X3.53		
0033	263127		UNIT BREWER CAP -laGIUSTA- G		
0034	262192		PUSHBUTTON SEAL		
0035	263128		UNIT BREWER CAP TEFLON SEAL -laGIUSTA-G		
0036	262185		CHROMED DISPENSING UNIT		
0037	262193		GROUP DIFFUSER		
0038	262199		GROUP SOL.VALVE TEFLON SPACER		
0039	264494		SOLENOID 3WAY 220V BAS UL O		
0040	263129		OUTLET GROUP		
0041	262197		GROUP JET DIVIDER		
0042	262195		SKID PAN SEAL		

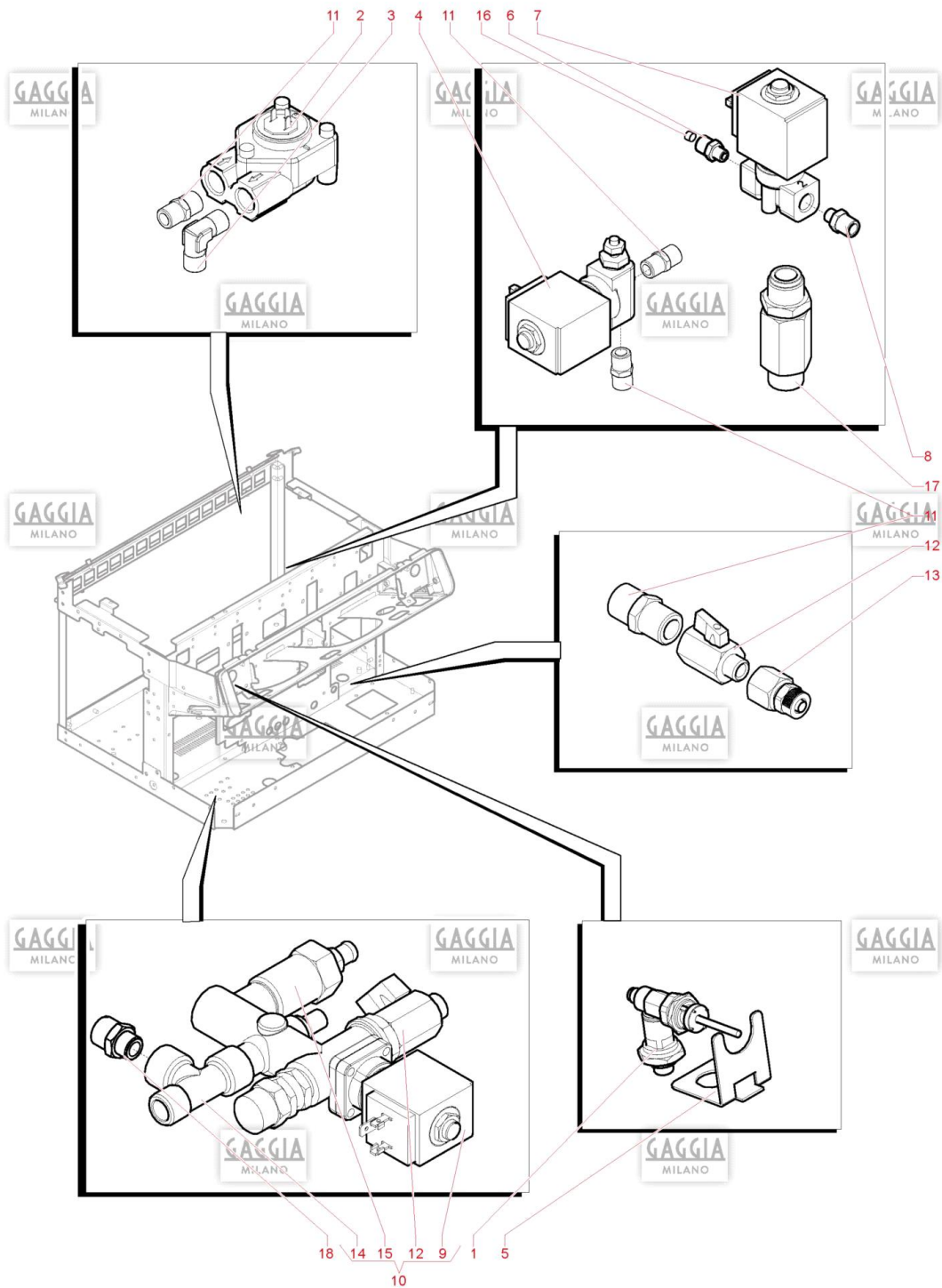
Pos.	Item	Repl. by	Description	Notes	Price (USD)
0043	262196		CHROMED DISCHARGE NUT H. 41		
0044	262200		HOSE HOLDER 3/8		
0045	262115		8X12 BLACK SILICONE HOSE - PERMETER-		
0046	262330		FITTING L 1/8 F-F		
0047	264618		1TZ FILTER		
0048	264619		2TZ FILTER		
0049	262321		FILTER HOLDER ASSEMBLY		
0050	262126		2-WAY SPOUT		
0051	264508		LOW FILTER 1 CUP -6G-		
0052	262592		COFFEE SINGLE DEEP FILTER		
0053	262591		DEEP FILTER		
0054	262589		SINGLE DEEP FILTER HOLDER ASSEMBLY		
0055	262590		DOUBLE DEEP FILTER HOLDER ASSEMBLY		



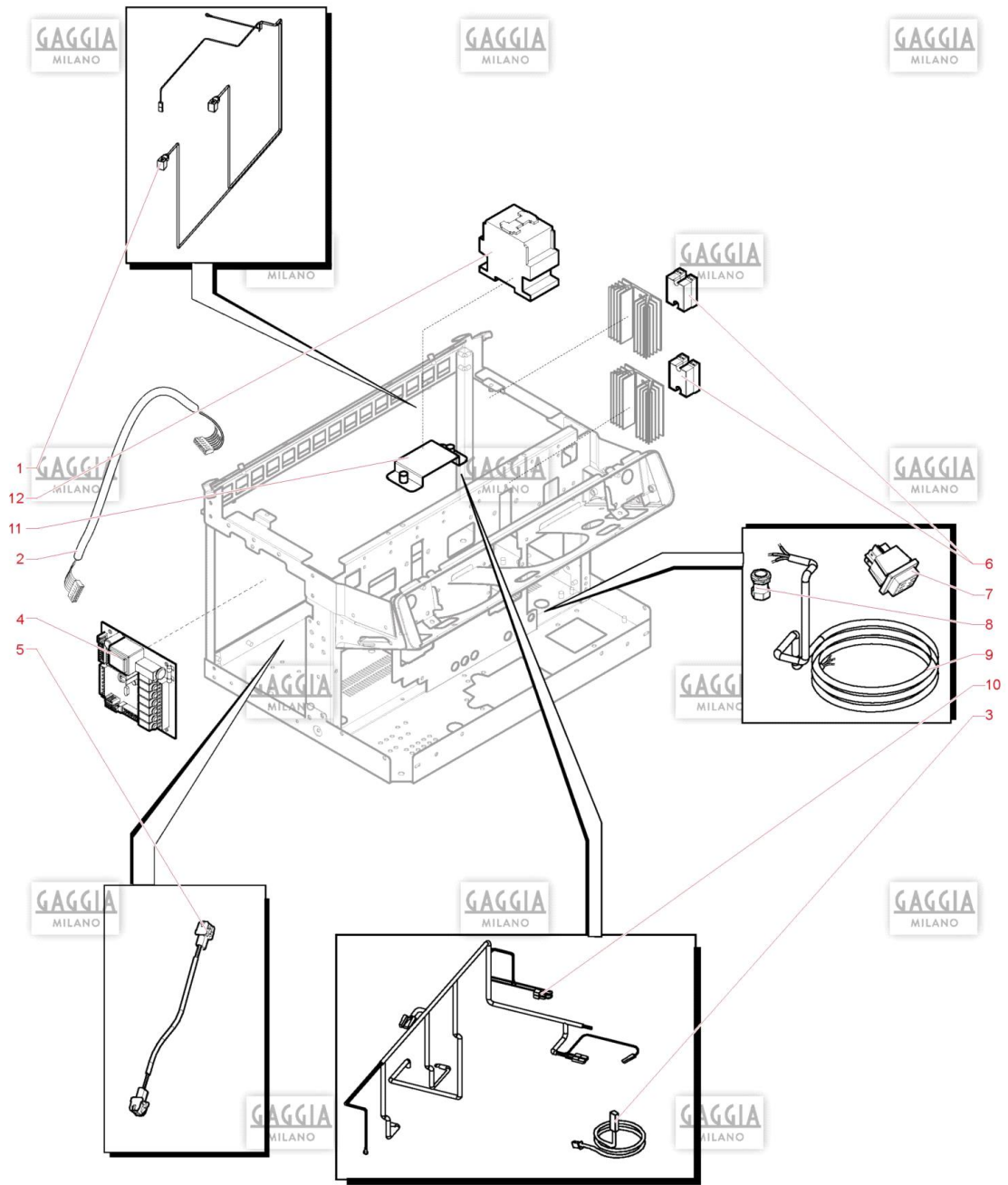
Pos.	Item	Repl. by	Description	Notes	Price (USD)
0001	263130		3/8 M CAP		
0002	262121		STAINLESS STEEL TEMPERATURE PROBE		
0003	262976		T-SHAPED FITTING 1/2 M-M 1/4 FBOT.		
0004	262977		3/8X3/8 FITTING		
0005	264504		VALVE SIC 3/8 SIG D7/CS AS		
0006	262103		HOSE HOLDER F 1/2 HOLE 12		
0007	262116		9X12 SILICONE HOSE -PER METER-		
0008	264546		LEVEL PROBE L = 145 MM - TALL-	TALL	
0009	262107		BOILER VALVE		
0010	263236	264404	GIGLEUR		
0011	262079		SEAL WITH INSERT 21X26X3.2		
0012	262087		L-SHAPED FITTING 1/2 M-M TOP		
0013	262981		1/8 CAP		
0014	262967		TEFLON SEAL		
0015	262975		L-SHAPED FITTING 3/8PX1/4C F		
0016	264496		THERMOSTAT EGO 3 POLES 20A UL		
0017	264621		INJECTOR + FITTING 1/4 MML = 14		
0018	264622		BOILER 2GR NORM (14) NC 902	2GR	
0019	262118		ANTI-VIBRATION 20X20		
0020	262974		L-SHAPED FITTING 3/8PX3/8P F		
0021	264499		MOTOR 92/GIU 180W 220/60 UL		
0022	262131		PUMP MOD. 150 LT/H NSF		
0023	262086		L-SHAPED FITTING 3/8 M-M YELLOW		
0024	264623		RES 2GR NOR 4000/220 NC 5050	2GR	



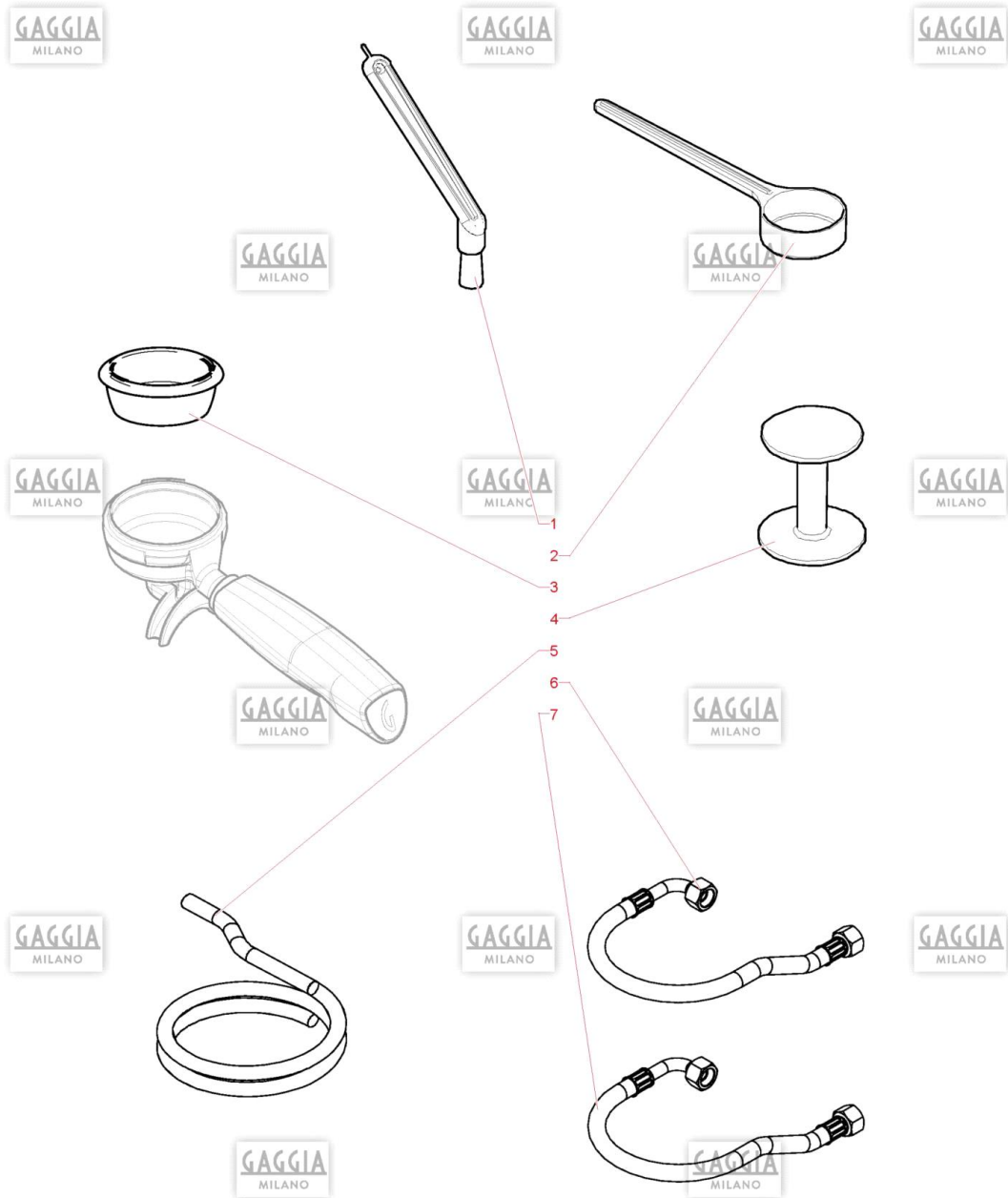
Pos.	Item	Repl. by	Description	Notes	Price (USD)
0001	264642		CU 8 HOT HOSE A VAPDX 2 / 3G	2GR TALL	
0002	264644		CU 6 HOT HOSE TO VASC 3G TA	2GR TALL	
0003	264626		HOSE GR INF DX NC 2502077		
0004	264625		HOSE GR INF CE SX NC 2502076		
0005	264627		GR SUP DX NC HOSE 2502078		
0006	264624		VENT MASS HOSE NC 2502051		
0007	264638		HOSE CU 6 MASS A EX MIX 2G L		
0008	264500		FLEX HOSE L = 60 -NSF-		
0009	264629		HOSE CU2 CAL.A MAN.NC 250245		
0010	264645		CU 8 HOT HOSE A VAPSX 3G LA	2GR TALL	
0011	264643		CU 8 SCAMB HOSE WITH CONTVOLUM	2GR TALL	
0012	264641		HOSE CU 6 MASS A HOT 3G TAL	2GR TALL	
0013	264628		HOSE GR SUP 2G SX NC 2502089		
0014	264637		CU 6 EV MIX A RUB H2O HOSE 3		
0015	264640		CU 8 VALVNORIT A H2O HOSE 3	2GR TALL	
0016	264639		HOSE CU 8 CALD A VALVNORIT	2GR TALL	
0017	262114		6X9 SILICONE HOSE -PER METER-		



Pos.	Item	Repl. by	Description	Notes	Price (USD)
0001	262972		WATER/STEAM TAP		
0002	263000		VOLUMETRIC FLOW METER		
0003	262088		L-SHAPED FITTING 1/4 M-M		
0004	264634		SOLENOID 2WAY 220V 1/4 UL O		
0005	263019		FITTING LOCKING BRACKET FOR TAP		
0006	262098		REDUCTION ES14 1/4-1/8 M-M CONICAL		
0007	264495		SOLENOID 2WAY 220V 1/8 UL		
0008	263132		3/8-1/8 M-M REDUCTION		
0009	264633		SOLENOID 2WAY 220V BAS UL O		
0010	262222		DISTRIBUTOR HARDWOOD KIT		
0011	262094		CONICAL NIPPLE 1/4 M-M		
0012	262084		MINI BALL TAP 1/4 M-F		
0013	262093		STRAIGHT FITTING 8-6 1/4 F		
0014	262091		T-SHAPED FITTING 3/8 F-F-M		
0015	262224		EXPANSION VALVE		
0016	262124		NIPPLE FILTER		
0017	262109		CHECK VALVE		
0018	264413		REDUCTION 3/8-1/4 MM (CONIC		



Pos.	Item	Repl. by	Description	Notes	Price (USD)
0001	262145		WIRE + CUF VOL.DOS. L.1115		
0002	262143		KEY CONN. WIRE BT L= 1100 4V M/I F1		
0003	262144		PROBE WIRE L.1200 XTCl (TERMOPID)		
0004	262998		CONTROL UNIT		
0005	262153		LED STRIP WIRING 12V - C.NOVA		
0006	262133		RELAY ST 50A LOW TENS RM1A60D50		
0007	262132		RED SWITCH Q 0-I (PROT)		
0008	262119		BLACK CABLE GLAND		
0009	264620		POWER CABLE SJOOW 3X10AWG220 2		
0010	264635		CABLAG.EV ELE + ACCESSORIES 3	2GR	
0011	264471		2/3G CONTACTOR SUPPORT		
0012	264498		CONTACTOR 4P NO 25A AC1 230		



Pos.	Item	Repl. by	Description	Notes	Price (USD)
0001	262217		BRUSH		
0002	263135		MEASURING CUP		
0003	262221		BLIND FILTER		
0004	263136		D.58 TAMPER		
0005	262218		REINFORCED DISCHARGE HOSE D.14		
0006	264501		FLEX HOSE L = 80 -NSF-		
0007	264502		FLEX HOSE L = 150 -NSF-		