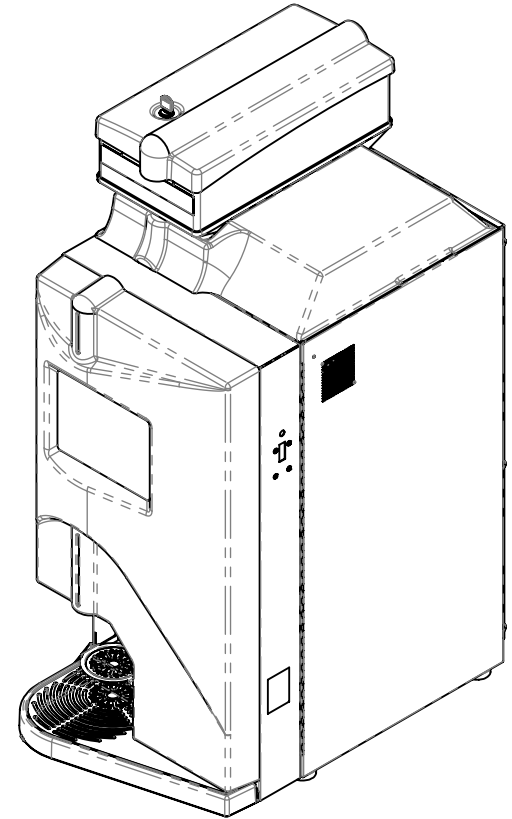
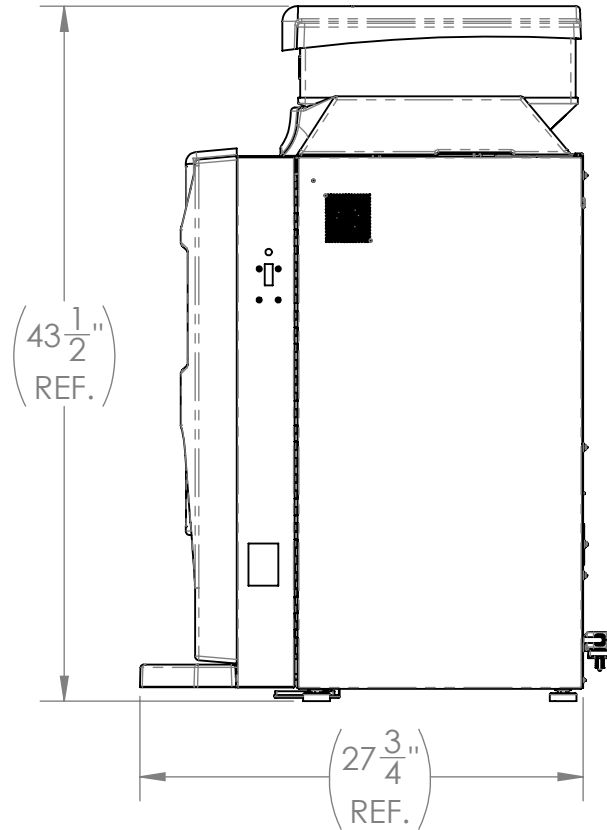
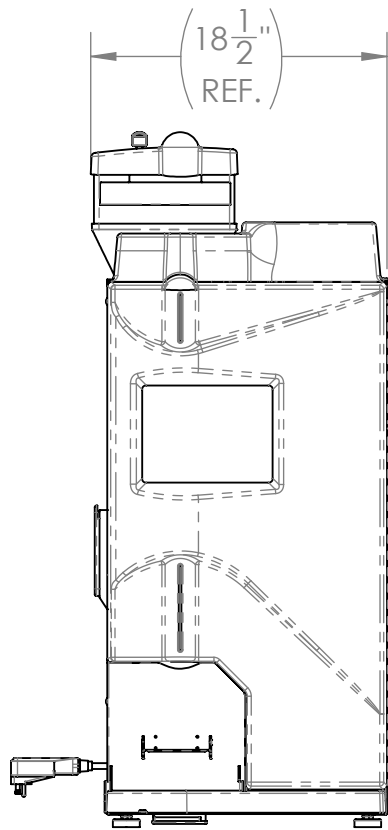


PARTS BOOK

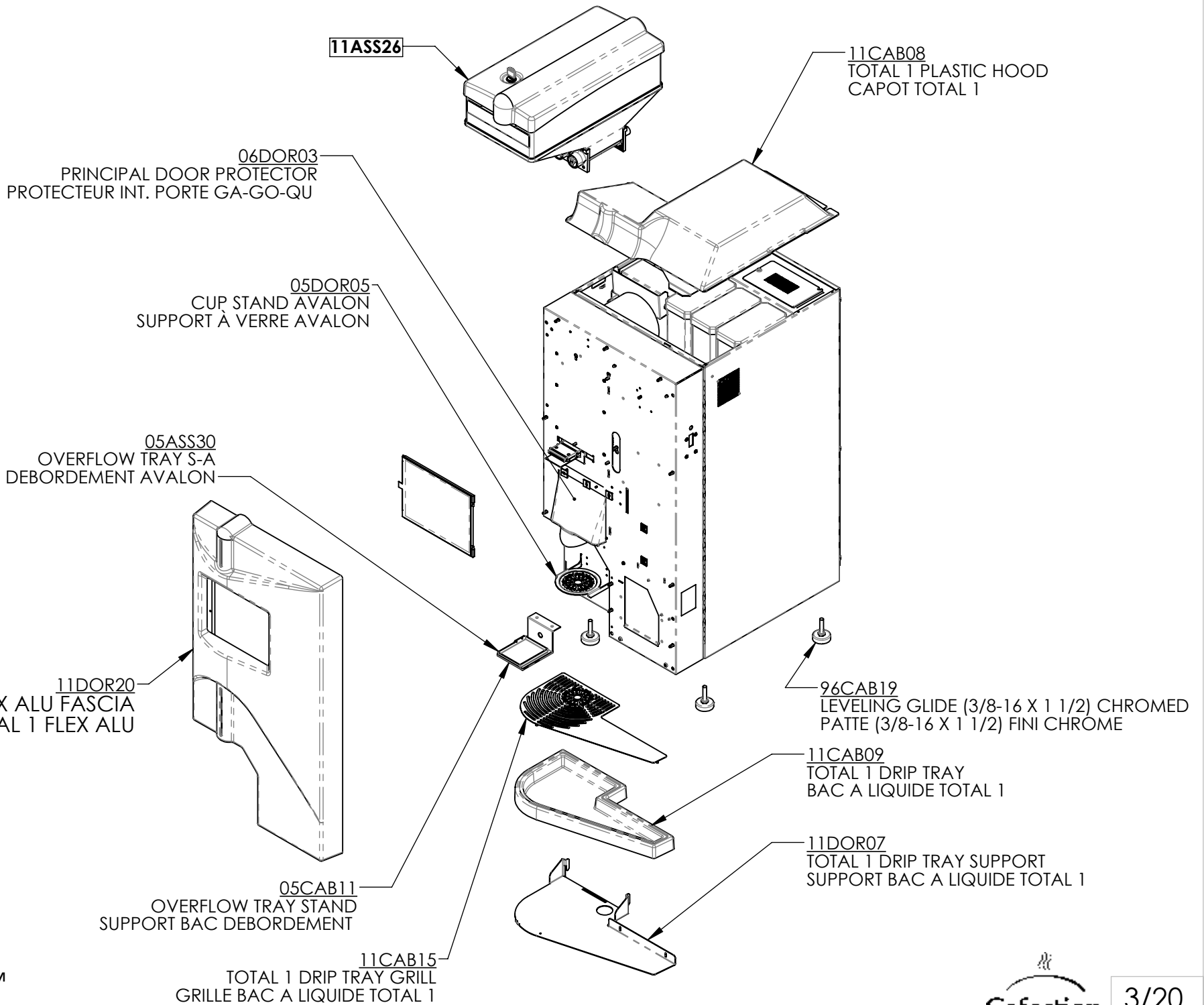
MANUEL DE PIÈCES

PB-T11104

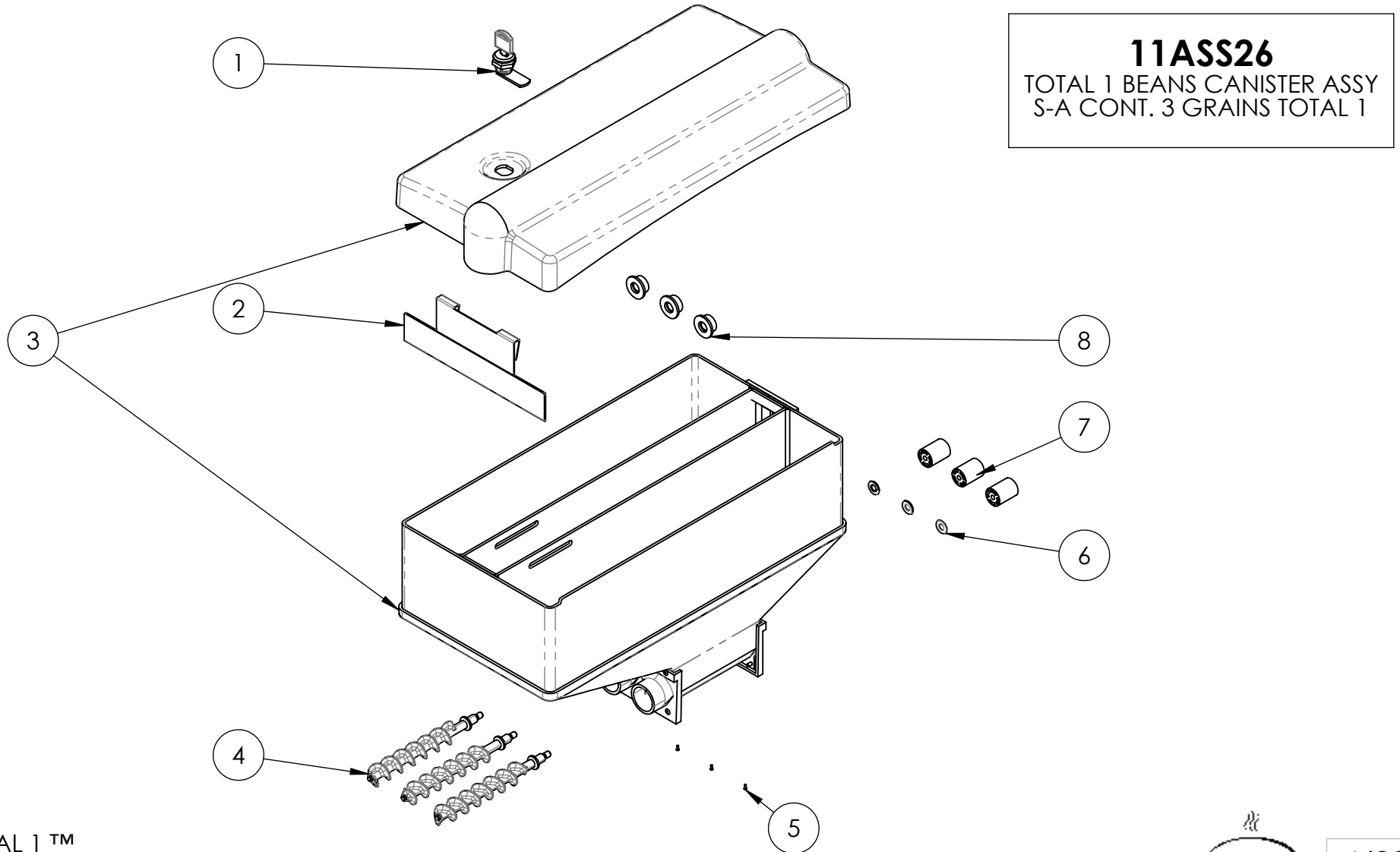


Coffee brewer's detailed parts reference manual.
Parts shown in this manual may not be individually available for purchase.

Manuel de référence des pièces de la cafetière.
Les pièces illustrées pourraient ne pas être vendues individuellement.



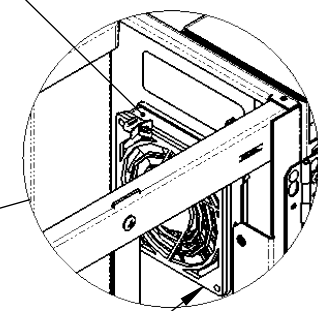
# ITEM	# PIECE	ENGLISH DESCRIPTION	DESCRIPTION FRANÇAISE	QTY/QTE
1	04CAN04	(#110) 3 BEANS CANISTER'S LOCK	SERRURE (#110) CONTENANT 3 GRAINS	1
2	14ACC07	COFFEE IDENT. CARD HOLDER	SUPPORT CARTES IDENT. CAFES	1
3	11CAN01	TOTAL 1 3 BEANS CANISTER	CONTENANT A GRAINS (3 GRAINS) TOTAL 1	1
4	03CAN02C	AUGER ASSEMBLY 166MM LONG	VIS SANS FIN COUPEE DU CONTENANT A GRAIN	3
5	07HAR02	VIS FAUSSE TYPE "U" 3/16" RONDE SS	VIS FAUSSE TYPE "U" 3/16" RONDE SS	3
6	96HAR42	FLAT WASHER .285 X .625 X .045 SS	RONDELLE PLATE .285 X .625 X .045 SS	3
7	03CAN03	WB HOPPER SPRING PLASTIC AUGER COUPLING	EMBAYAGE VIS SANS FIN CONTENANT GRAINS	3
8	03CAN105	WHOLE BEAN HOPPER BUSHING	EPAULEMENT CONTENANT A GRAINS	3



05CAB30
3 BEANS TOP FITTING PART
PIECE D'APPOINT CAPOT 3 GRAINS

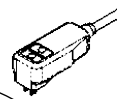
05CAB12
AVALON TANK ACCES DOOR
PORTE ACCES RESERVOIR AVALON

15ASS08
THIN FAN WITH 5" WIRES ASSY
S-A VENTILATEUR MINCE AVEC FILS 5"



96ELC30
FAN GUARD
PROTECTEUR DU VENTILATEUR

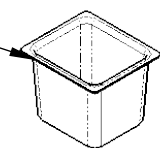
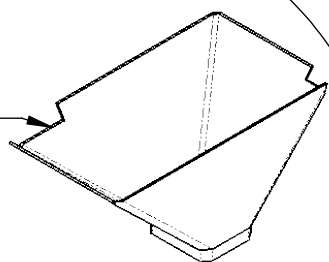
05CAB27
AVALON ACCES DOOR FOR FAN
PORTE ACCES TURBINE AVALON



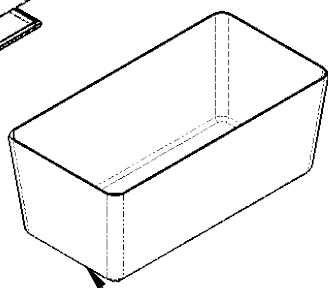
OPTION CHUTE 05ACC04

05CAB25
PLASTIC CHUTE AVALON
CHUTE EN PLASTIQUE AVALON

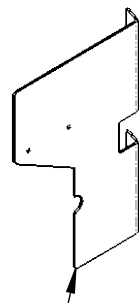
PECAB17
SQUARE CHUTE
BASE DE LA CHUTE A DECHETS



05CAB26
WASTE BASKET AVALON
BAC A RESIDUS AVALON



05ASS19
FRONT PANNEL AVALON S-A
S-A PANNEAU AVANT AVALON



09ACC02
PROTECTOR BEANS'S FUNNEL
PROTECTEUR ENTONNOIR A GRAINS

16ASS09
GRINDER PROTECTOR FOR CHUTE W/O KNOCKER
S-A PROTEGE MOULIN CHUTE SANS COGNEUR

04MOT01
24V 145 RPM INGREDIENT MOTOR
MOTEUR INGREDIENT 24V 145 RPM

05ASS01

PECAN21M
MODIFIED ELBOW 38 X 53 MM VENTILATED
COUDE 38 X 53 MM VENTILÉ MODIFIÉ

06CAB06
HOSE SUPPORT (REAR PART)
SUPPORT TUYAUX (ARRIERE)

15ASS11

96ASS20P

99CAB22R

05CAB19C
FRONT PANNEL BRACKET FOR BREWER
SUPPORT PANNEAU AVANT PR INFUSEUR

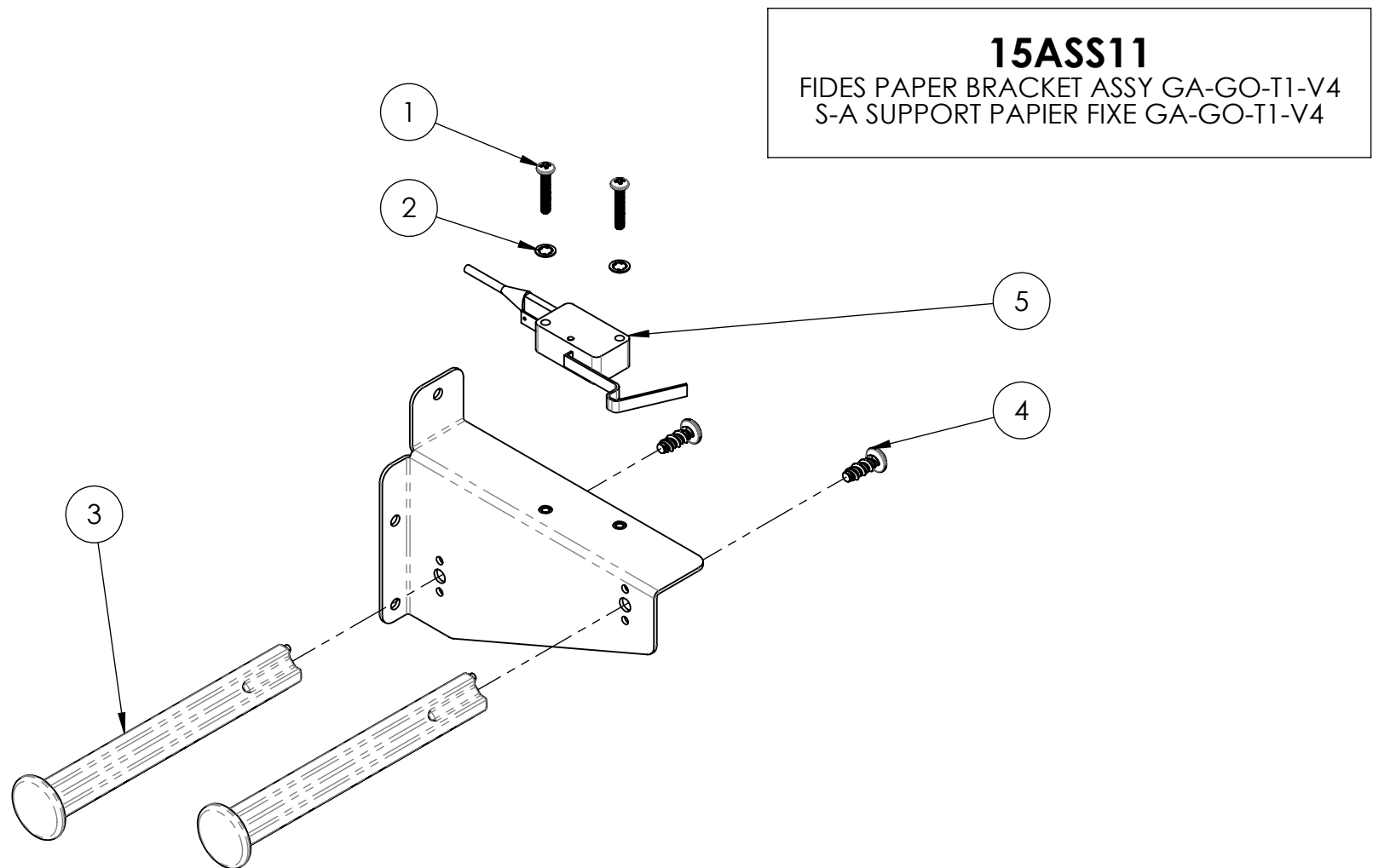
04BRE78
INJECTED SPOUT
BEC VERSEUR INJECTE

06HAR03
SCREW 6-32 x 3/8" SS WASHER FACE THUMB
VIS 6-32 X 3/8" TETE BOUTON SS

UGASS47

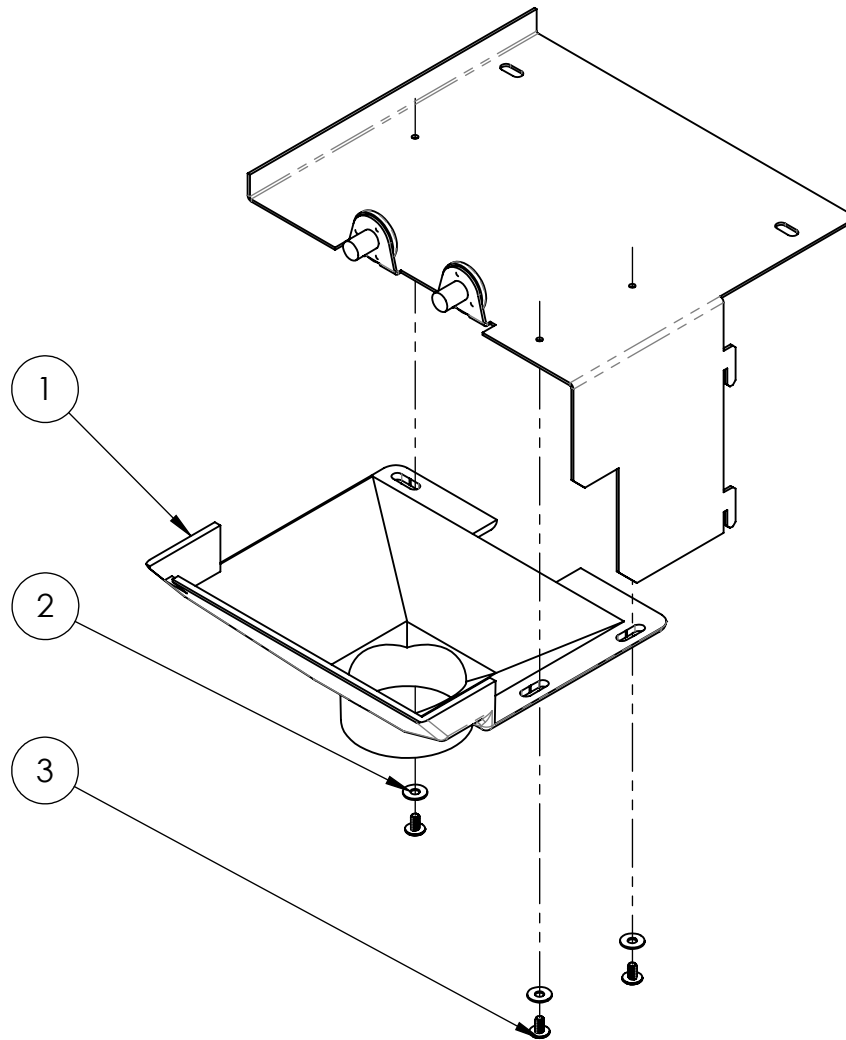
10CAB04
WELDED HOSE SUPPORT (FRONT PART)
SUPPORT TUYAUX SOUDE (AVANT)

# ITEM	# PIECE	ENGLISH DESCRIPTION	DESCRIPTION FRANÇAISE	Quantité
1	96HAR01	SCREW 4-40 X 5/8" PAN PH SS	VIS 4-40 X 5/8" PAN PH SS	2
2	96HAR04	TOOTH LOCKWASHER #4 (INTERNAL)	RONDELLE DE RETENUE #4 (INTERNE)	2
3	03CAB06	INJECTED FILTER PAPER ROD	TIGE PAPIER FILTRE INJECTEE	2
4	03HAR04	SCREW #10 X 1/2" PAN PHIL HIGH-LOW ZINC	VIS #10 X 1/2" PAN PHIL HIGH-LOW ZINC	2
5	09ASS04	PAPER SWITCH + WIRES S-A	S-A INTERRUPTEUR PAPIER + FILS	1

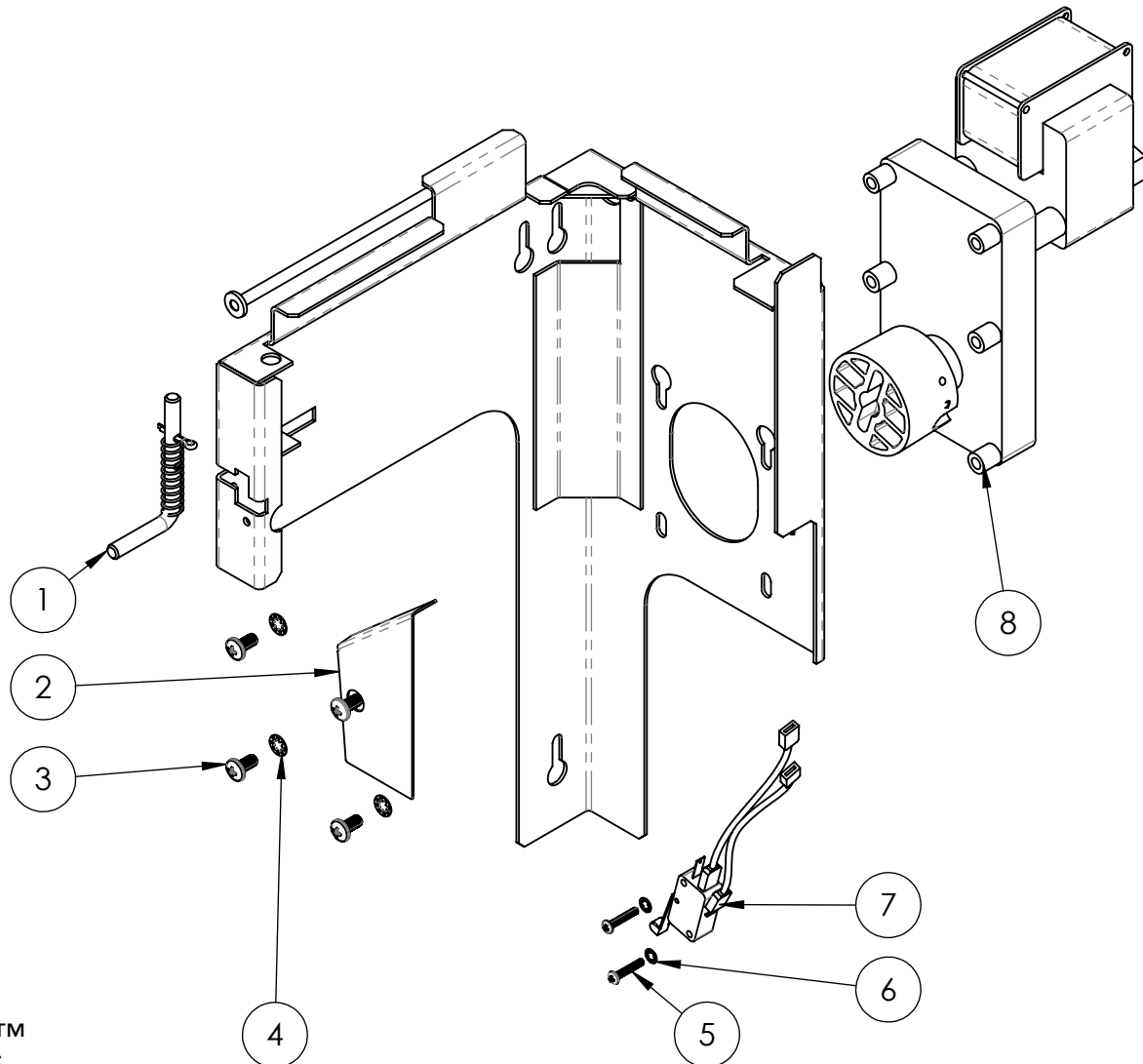


# ITEM	# PIECE	ENGLISH DESCRIPTION	DESCRIPTION FRANÇAISE	QTY/QTE
1	PECAN22	PE-05 3 BEANS PLASTIC CHUTE	ENTONNOIR A 3 GRAINS PE-05	1
2	96HAR73	FLAT WASHER .150 X .375 X .032 #6 SS	RONDETE PLATE .150 X .375 X .032 SS #6	3
3	96HAR05	6-32 X 1/4" TRUSS PH SS	VIS 6-32 X 1/4" TRUSS PHIL SS 304	3

05ASS01
 3 BEANS SHELF S-A AVALON
 S-A TABLETTE 3 GRAINS AVALON

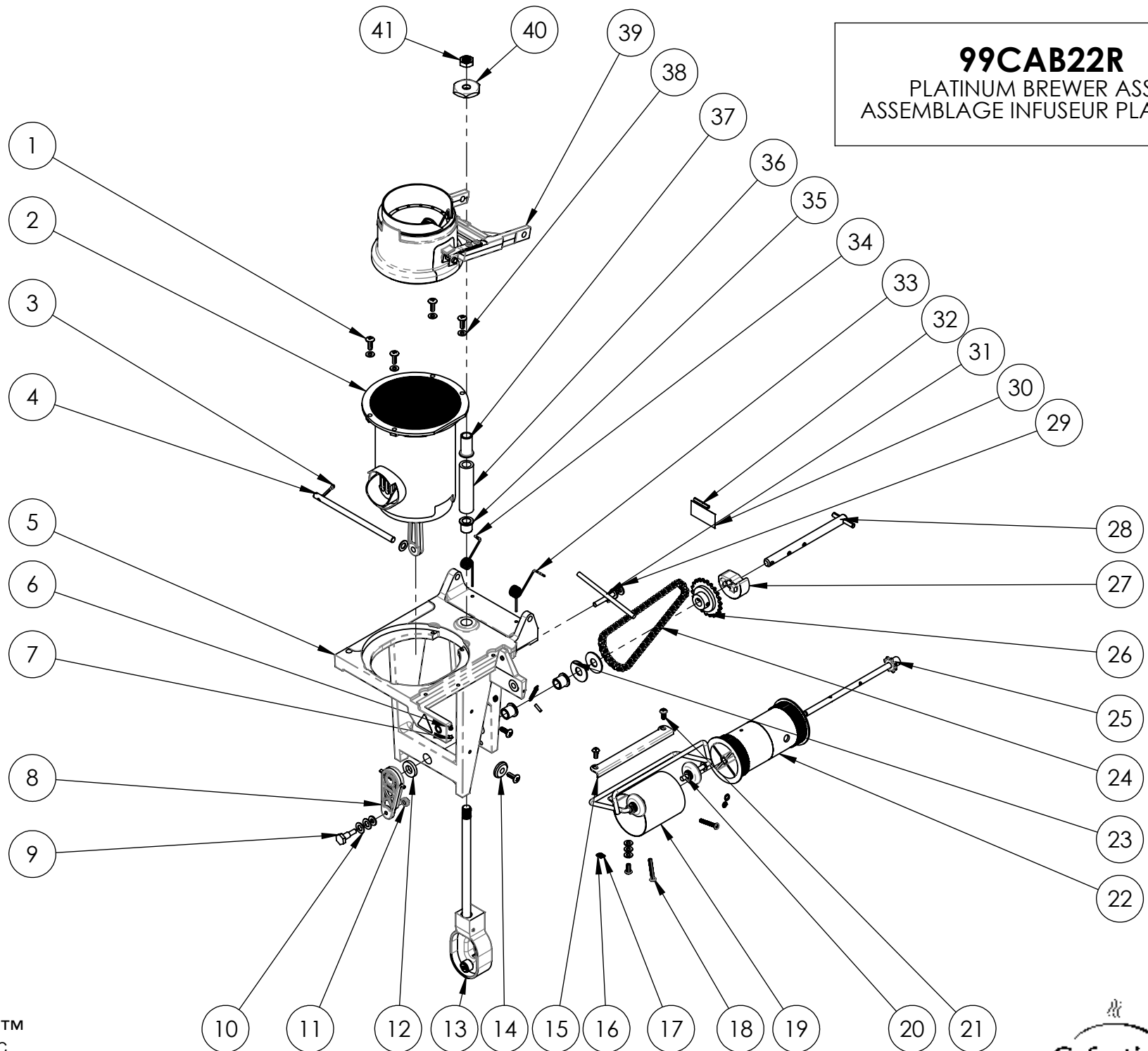


# Item	# Pièce	ENGLISH DESCRIPTION	DESCRIPTION FRANÇAISE	QTY/QTE
1	96ASS03	SPRING LOCK S-A (BREWER BRACKET)	S-A LOQUET A RESSORT	1
2	96BRM06	SWITCH PROTECTOR	PROTECTEUR INTERRUPTEUR	1
3	96HAR56	SCREW 10-32 X 3/8" PAN PH SS	VIS 10-32 X 3/8" PAN PH SS	4
4	96HAR19	TOOTH LOCKWASHER #10 (INTERNAL)	RONDELLE DE RETENUE #10 (INTERNE)	4
5	96HAR01	SCREW 4-40 X 5/8" PAN PH SS	VIS 4-40 X 5/8" PAN PH SS	2
6	96HAR04	TOOTH LOCKWASHER #4 (INTERNAL)	RONDELLE DE RETENUE #4 (INTERNE)	2
7	06ASS03	CAM SWITCH ASSY WITH 2 WIRES	S-A INTERRUPTEUR COUPLEUR A 2 FILS	1
8	96ASS22	BREWER MOTOR S-A	S-A MOTEUR INFUSEUR	1



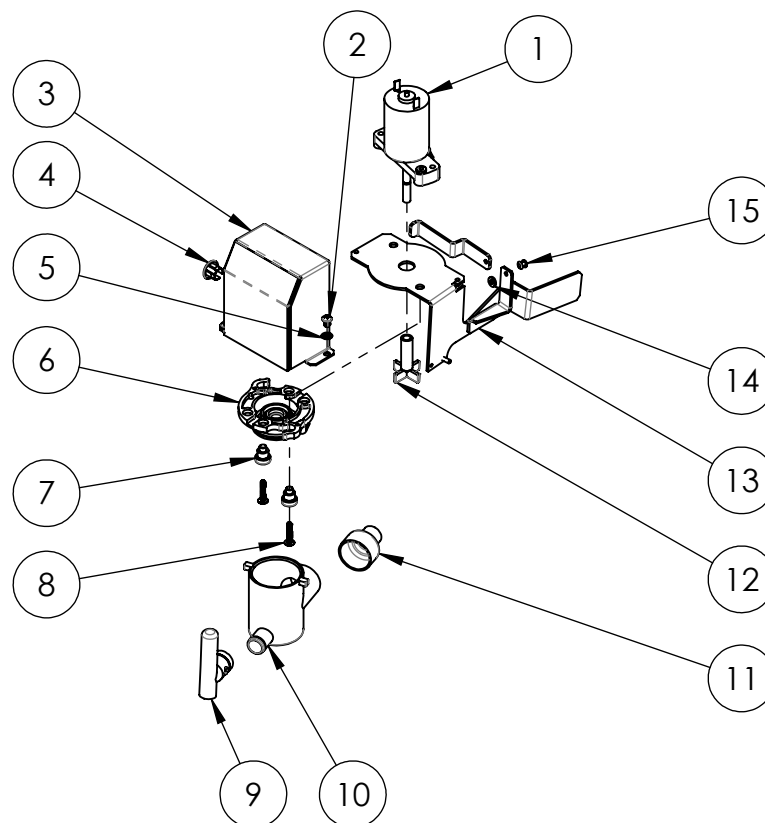
96ASS20P
 PLATINUM BREWER BRACKET S-A
 S-A SUPPORT INFUSEUR PLATINUM

99CAB22R
PLATINUM BREWER ASSY
ASSEMBLAGE INFUSEUR PLATINUM

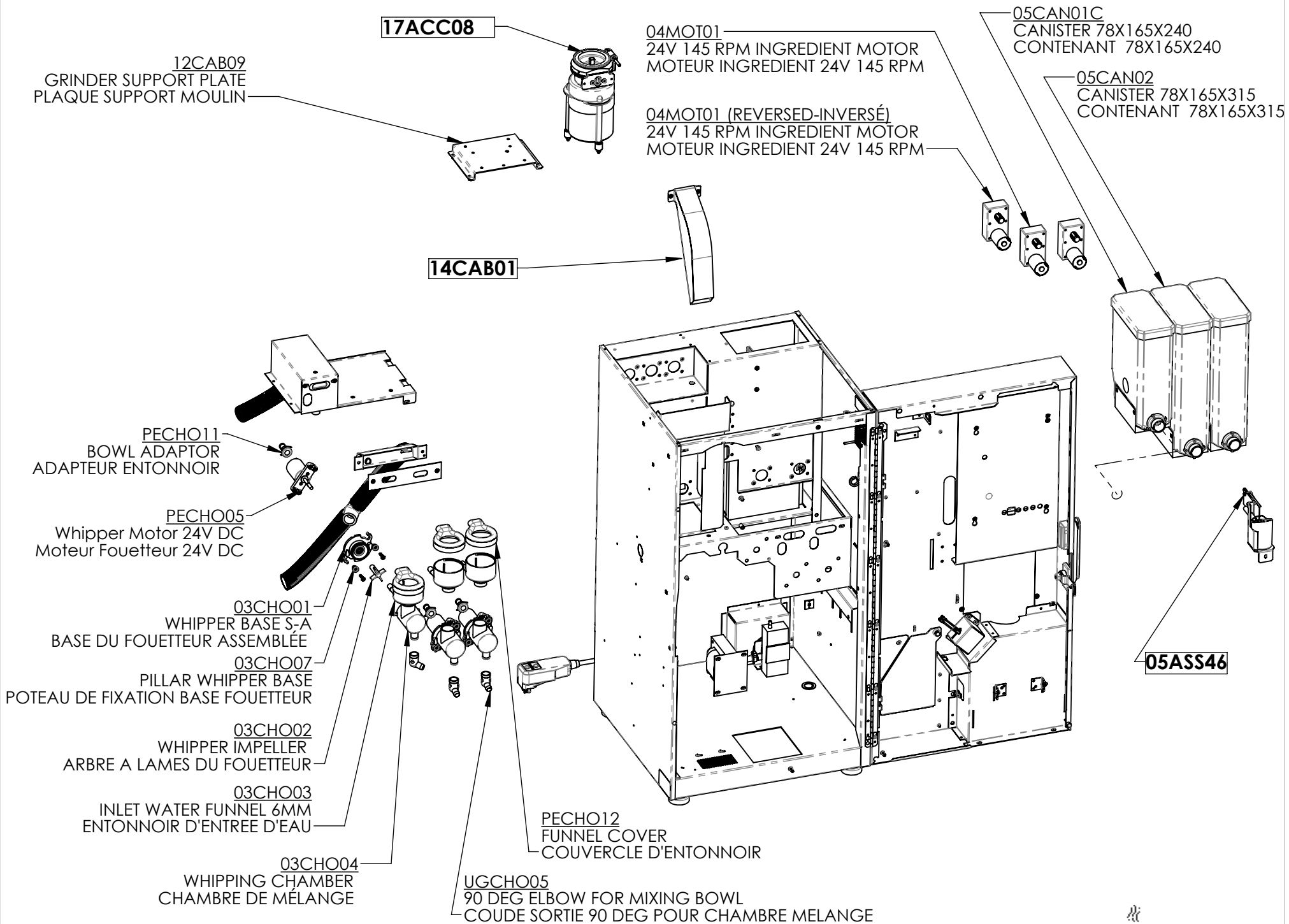


# ITEM	# PIECE	ENGLISH DESCRIPTION	DESCRIPTION FRANÇAISE	QTY/QTE
1	96HAR49	SCREW 8-32 X 1/2" TRUSS PH SS	VIS 8-32 X 1/2" TRUSS PHIL SS	6
2	06SAS101	PISTON & CYLINDER S-A	S-A PISTON ET CYLINDRE 9 OZ	1
3	96HAR116	COTTER PIN 3/32 X 1/2" SS	GOUPILLE FENDUE 3/32 X 1/2" SS	1
4	98BRE69	H-FRAME SHAFT	ARBRE DU CHASSIS EN "H"	1
5	12BRE02	PLATINUM BREWER MAIN FRAME	CHASSIS PRINCIPAL	1
6	98BRE05	EXTENSION SPRING (GOLD - PLATINUM & VKI)	RESSORT D'EXTENSION (GOLD - PLATINUM & VKI)	2
7	96HAR113	SPRING PIN 3/32 X 5/8	RESSORT EN TIGE 3/32" X 5/8"	2
8	98SAS103-I	CRANK ARM S-A INJECTED	S-A BIELLE INJECTE	1
9	10BRE02	SHOULDER SCREW	VIS A EPAULE	1
10	96HAR125	FLAT WASHER .265 X .500 X .030 SS	RONDELLE PLATE .265 X .500 X .030 SS	3
11	96HAR102	HEX 10-24 LOCKNUT NYLON INSERT & SS	DEMI ECROU 10-24 AUTOBLOQUANT SS & NYLON	1
12	10BRE01	UHMW FLAT WASHER .380 X .750 X .130	RONDELLE PLATE .380 X .750 X .130 UHMW	1
13	SBSAS1135	CAM HOUSING ASSY	S-A BOITIER DE LA CAME	1
14	96HAR164	SHOULDER WASHER (# 121C)	RONDELLE D'EPAULEMENT (# 121C)	1
15	99BRE06R	PLATINUM YOKE RETAINING PLATE	PLAQUE DE RETENUE, ETRIER PLATINUM	1
16	96HAR10	TOOTH LOCKWASHER #6 (INTERNAL)	RONDELLE DE RETENUE #6 (INTERNE)	2
17	06HAR116	SPRING WASHER #6 SS	RONDELLE A RESSORT #6 SS	3
18	03HAR05	SCREW 6-32 X 1" PAN PH SS	VIS 6-32 X 1" PAN PH SS	2
19	98BRE76	TAPE DRUM GUIDE BAND	GUIDE TAMBOUR PAPIER FILTRE	1
20	06SAS134	YOKE S-A (PLATINUM)	S-A ETRIER (PLATINUM)	1
21	96HAR101	SCREW 8-32 X 3/8" ROUND PH SS	VIS 8-32 X 3/8" ROUND PH SS	3
22	99SAS175	DRUM ASSY	S-A TAMBOUR	1
23	96HAR104	FLAT WASHER .390 X 1.00 X .047 SS	RONDELLE PLATE .390 X 1.00 X .047 SS	2
24	SBBRE009	CHAIN 68 PITCHES CONNECTING LINK INCLUDE	CHAINE 68 MAILLES CONNECTEUR INCLUS	1
25	SBSAS0104-I	INJECTED DRUMS SHAFT ASSY	S-A ARBRE TAMBOURS INJECTES	1
26	SBSAS0100	CLUTCH SPROCKET S-A	S-A EMBRAYAGE DE LA CAME	1
27	SBBRE030	CAM	CAME	1
28	98SAS108	MAIN SHAFT S-A	S-A ARBRE PRINCIPAL	1
29	96HAR108	FLAT WASHER .203 X .437 X .032 SS	RONDELLE PLATE .203 X .437 X .032 SS	3
30	16FUR08	ETIQUETTE POLY BLANC 1,5" X ,75" VOID	ETIQUETTE POLY BLANC 1,5" X ,75" VOID	1
31	96HAR100	RETAINING RING 3/16 (ZINC)	BAGUE DE RETENUE 3/16 ("C" CLIP) (ZINC)	1
32	96HAR103	SPRING PIN 1/8 X 7/8 SS	RESSORT EN TIGE 1/8" X 7/8" SS	1
33	98BRE68	RIGHT SIDE LIFT SPRING	RESSORT A LEVIER DROIT	1
34	98BRE67	LEFT SIDE LIFT SPRING	RESSORT A LEVIER GAUCHE	1
35	96HAR105	LARGE BUSHING	GRAND PALIER DU CHASSIS (BUSHING)	3
36	18BRE01	BREWER SLEEVE 0,625" X 2,450"	MANCHON POUR INFUSEUR 0,625" X 2,450"	1
37	15HAR06	BUSHING (LONG)	PALIER LONG	1
38	96HAR124	FLAT WASHER #8 .170 X .375 X .032 SS	RONDELLE PLATE .170 X .375 X .032 SS #8	7
39	12ASS02	PLATINUM BREWER "H" FRAME ASSY	S-A CHASSIS EN "H" PLATINUM	1
40	14BRE01	HEX NUT 3/8"-24 X 1 1/8" X 3/16" SS	ÉCROU INFUSEUR MACHINÉ	1
41	96BRE56	NUT 3/8"-24 X 7/32" THICK SS	ECROU 3/8"-24 X 7/32 EPAIS SS	1
42	99BRE74R	PLATINUM LIFT BAR	BRAS DE LEVIER PLATINUM	1
43	96HAR117	MAIN FRAME SMALL BUSHING	PETIT PALIER DU CHASSIS (BUSHING)	2
44	19LAB18	INJURY WARNING LABEL	DECALQUE ATTENTION RISQUE DE BLESSURE	1

# ITEM	# PIECE	ENGLISH DESCRIPTION	DESCRIPTION FRANCAISE	QTY/QTE
1	07ASS02	COFFEE WHIPPER MOTOR S-A	S-A MOTEUR FOUETTEUR CAFE	1
2	96HAR20	SCREW 8 1/4" ROUND PH SS	VIS 8 1/4" ROUND PH SS	2
3	UGCAB28	WHIPPER PROTECTOR	PROTEGE FOUETTEUR	1
4	08HAR03	7/16 SNAP BUSHING	BOUCHON INSTANTANE 7/16	1
5	05HAR04	LOCKWASHER INTERNAL RING #8 SS	RONDELLE DE RETENUE #8 (INTERNE) SS	2
6	03CHO01	WHIPPER BASE S-A	BASE DU FOUETTEUR ASSEMBLÉE	1
7	03CHO07	PILLAR WHIPPER BASE	POTEAU DE FIXATION BASE FOUETTEUR	2
8	PEHAR07	6-32 X 3/4" TRUSS PH SS	VIS 6-32 X 3/4" TRUSS PH SS	2
9	16CAB01	COFFEE WHIPPER SPOUT	BEC VERSEUR FOUETTEUR CAFE	1
10	03CHO04M	MODIFIED WHIPPING CHAMBER	CHAMBRE DE MÉLANGE MODIFIÉE	1
11	UGCHO04	SEAL FOR COFFEE-WHIPPER	JOINT BEC VERSEUR-FOUETTEUR	1
12	06CHO01	COFFEE WHIPPER MOTOR S-A	S-A MOTEUR FOUETTEUR CAFE	1
13	09CAB05	HOSE SUPPORT AND CORNER PLAT	SUPPORT TUYAU ET EQUERRE SOUTIEN	1
14	06HAR02	NYLON WASHER .140 X .312 X .062	RONDELLE PLATE .140 X .312 X .062 NYLON	1
15	96HAR33	1/8" X 3/8" SS RIVET	RIVET 1/8" X 3/8" SS	1
16	06LAB04	ELECTRICAL WARNING LABELS WHIPPER	DÉCALQUE AVERTISSEMENT ELECTRIQUE FOUETTEUR	1

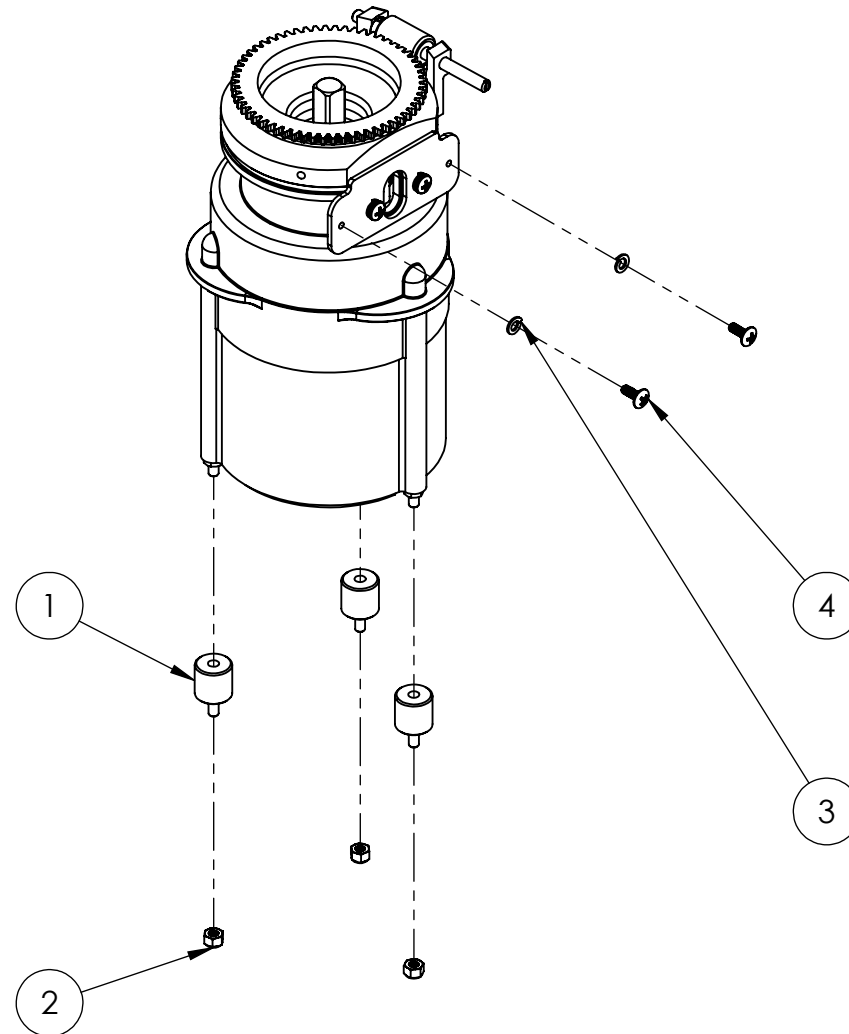


UGASS47
 COFFEE WHIPPER S-A
 S-A FOUETTEUR CAFE



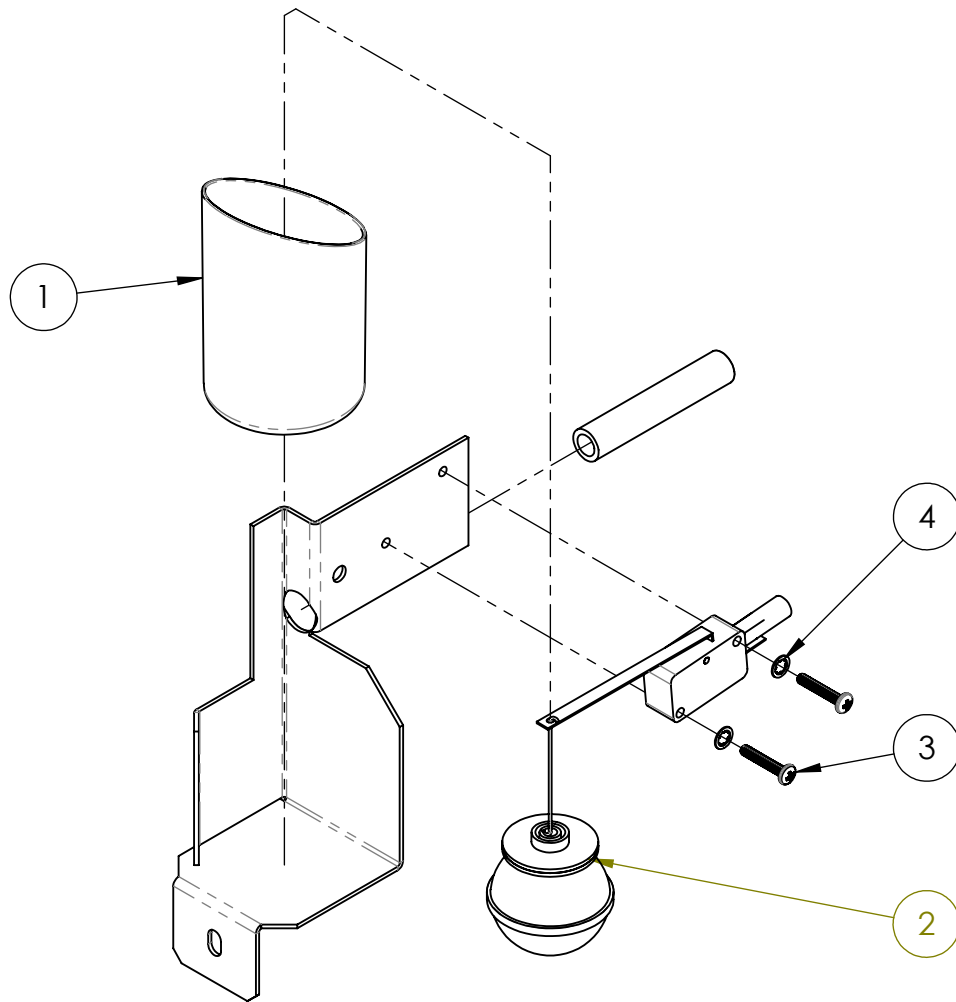
# ITEM	# PIECE	ENGLISH DESCRIPTION	DESCRIPTION FRANCAISE	QTY/QTE
1	07HAR10	RUBBER BUMPER (ANTI-VIBRATION MOUNT)	PATTE ANTI VIBRATION FILETÉ	3
2	98HAR86	NUT 4MM 0.70 ZINC GR: 8.8	ECROU M4 X .7MM AUTOBLOQUANT ZINC & NYLO	3
3	12HAR12	HELICAL SPLIT LOCKWASHER M4 A4 SS	RONDELLE A RESSORT M4 SS A4	2
4	96HAR06	SCREW 6-32 X 3/8 TRUSS PHIL SS	VIS 6-32 X 3/8" TRUSS PHIL SS	2

17ACC08
GRINDER ASSY
S-A MOULIN

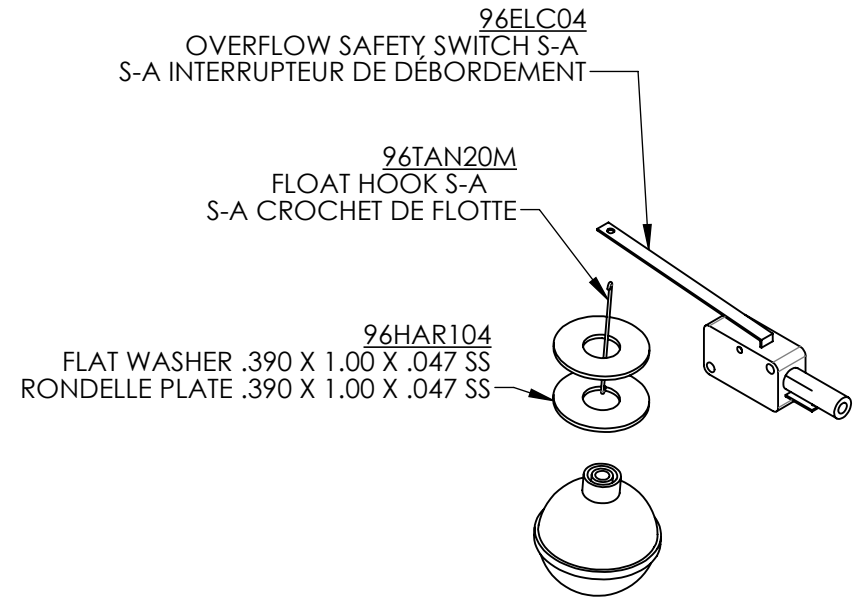


# ITEM	# PIECE	ENGLISH DESCRIPTION	DESCRIPTION FRANÇAISE	QTY/QTE
1	96TAN19	OVERFLOW CUP	GOBELET DEBORDEMENT	1
2	96ASS17	OVERFLOW FLOAT S-A	S-A FLOTTE DEBORDEMENT	1
3	96HAR01	SCREW 4-40 X 5/8" PAN PH SS	VIS 4-40 X 5/8" PAN PH SS	2
4	96HAR04	TOOTH LOCKWASHER #4 (INTERNAL)	RONDELLE DE RETENUE #4 (INTERNE)	2
5	05TAN13	OVERFLOW HOSE (CLEAR PVC) 22" (559MM)	TUYAU DEBORD (PVC) 24" (610mm)	1

05ASS46
TANK OVERFLOW BRACKET S-A
S-A SUPPORT DEBORDEMENT RESERVOIR



96ASS17



13ELN01-E1-CM
MICROPROCESSOR
MICROPROCESSEUR

17ELN18
AVALON MAIN BOARD VERSION 5
CARTE ELECTRONIQUE AVALON VERSION 5

12ACC01-T1
GA-GO-QU-T1 MAIN BOARD PROTECTICE PLATE
PLAQUE PROTECTION CARTE GA-GO-QU-T1

06DOR27
PROFILE CYLINDER (#1333)
SERRURE (#1333) CYLINDRE PROFILE

06DOR29
SWINGHANDLE
POIGNEE DE SERRURE

06DOR30
KEY FOR PROFILE CYLINDER (#1333)
CLE (#1333) POUR CYLINDRE DE SERRURE

06DOR28
MAIN DOOR LATCH
LOQUET PORTE PRINCIPALE

**INSIDE MAIN DOOR
INTERIEUR DE LA PORTE PRINCIPALE**

13ASS12 (OPTION)
CUP DETECTOR ASSY
S-A DETECTEUR DE VERRE

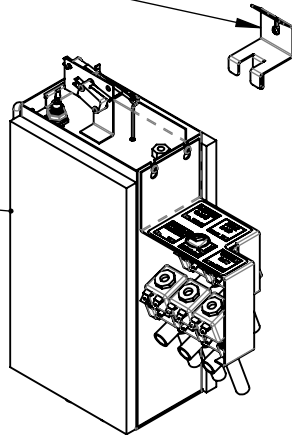
05DOR18
LIGHT PROTECTIVE PLATE
PLAQUE PROTECTION LUMIERE

05DOR21
DEL LIGHT WHITE 12V
LUMIERE A DEL BLANCHE 12V

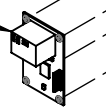
05ASS07
LIGHT BRACKET S-A
S-A SUPPORT LUMIERE

13CAB09
TANK GUARD
GARDE DU RÉSERVOIR

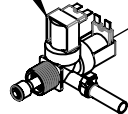
UGASS16



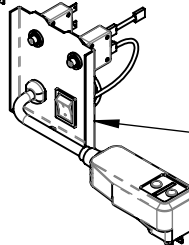
11ACC01
120-240V ELECTRONIC THERMOSTAT BOARD
THERMOSTAT ELECTRONIQUE 120-240V



01TAN04
INLET VALVE ASSY
VALVE ENTREE D'EAU



05ELC09-2
REV2 TRANSFORMER WITH 2 SECONDARY EXITS
TRANSFORMATEUR 2 SORTIES SECOND REV2



05ASS45

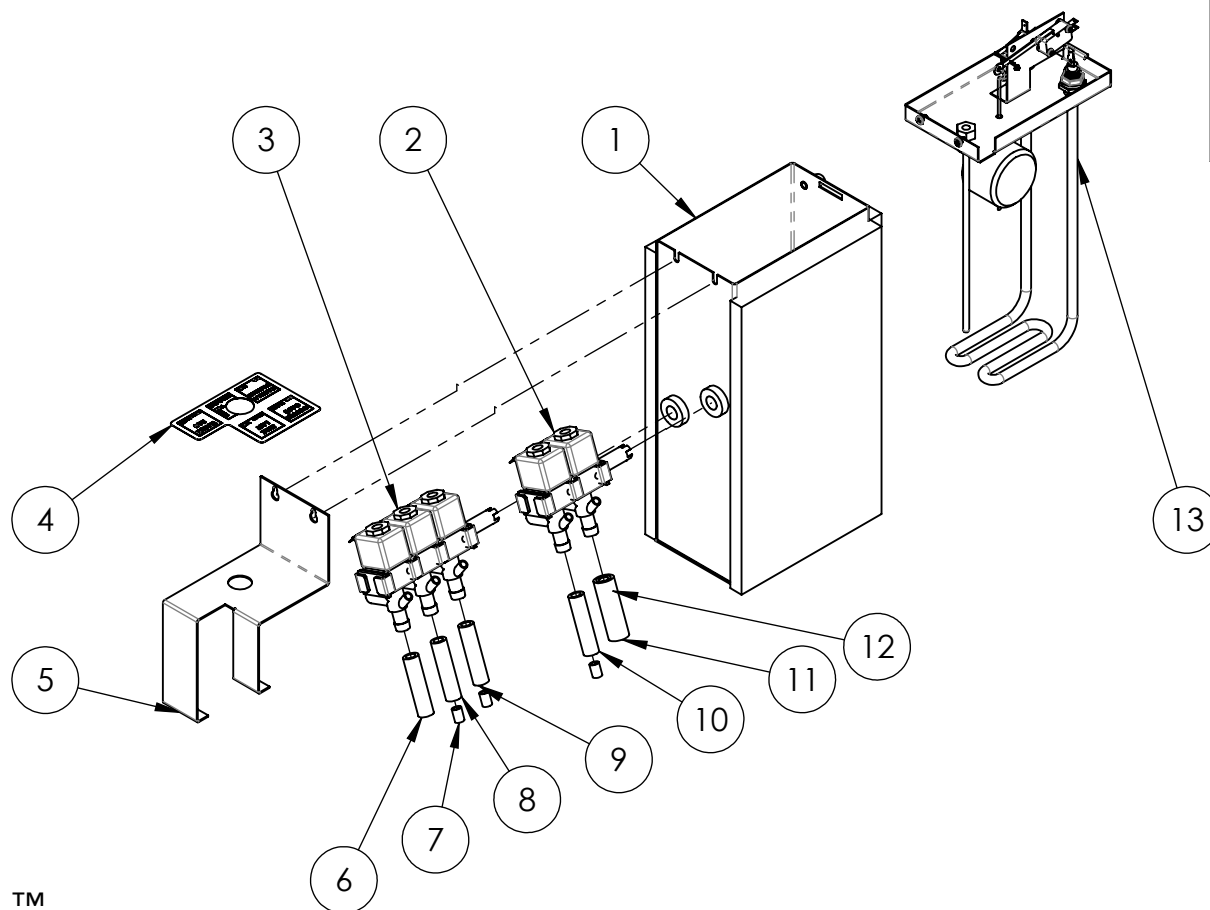
12ELC13
CAPACITOR 30 μ F
CAPACITEUR 30 UF

05ASS08
BLOWER S-A
S-A TURBINE



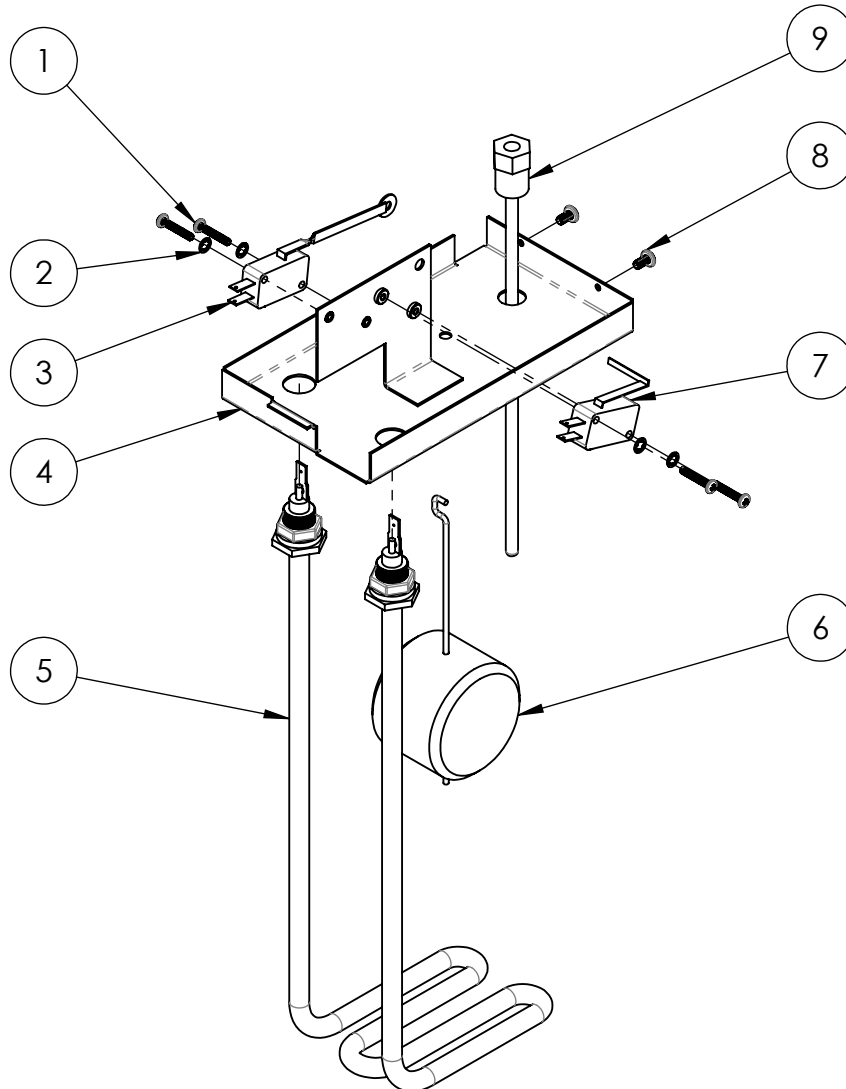
BACK VIEW
VUE ARRIERE

# ITEM	# PIECE	ENGLISH DESCRIPTION	DESCRIPTION FRANÇAISE	QTY/QTE
1	07ASS08	3 SIDES ISOLATED TANK ASSY	S-A RESERVOIR ISOLE 3 FACES	1
2	PETAN07B-ADJ	ADJUSTED DOUBLE OUTLET VALVE	VALVE DE SORTIE DOUBLE AJUSTÉE	1
3	UGTAN01-ADJ	TRIPLE OUTLET VALVE (ADJUSTED)	VALVE DE SORTIE TRIPLE AJUSTÉE	1
4	15LAB16	TOTAL 1 OUTLET VALVES IDENTIFIER LABEL	DECALQUE IDENTIFICATION VALVES TOTAL 1	1
5	UGCAB23	VALVE SUPPORT GOURMET	SOUTIEN VALVES GOURMET	1
6	PETAN34	HOT WATER HOSE 27" (686MM)	S-A TUYAU EAU CHAUDE 27" (686MM)	1
7	PECHO08	SOLUBLE'S RESTRICTION.194 X .312 X .437	RESTRICTION SOLUBLE .194 X .312 X .437	3
8	99TAN08	HOSE 11 1/4" (286MM)	S-A TUYAU 11 1/4" (286MM)	1
9	04TAN10	WATER OUTLET CHOCO HOSE 12 1/8" (308MM)	S-A TUYAU CHOCO 12 1/8" (308MM)	1
10	UGTAN24	INLET SOLUBLE HOSE 9" 9229MM)	S-A TUYAU ENTREE SOLUBLE 9" (229MM)	1
11	05TAN33	BROWN COFFEE HOSE 14 3/4" (375MM)	S-A TUYAU CAFE (BRUN) 14 3/4"(375MM)	1
12	13TAN02	HOSE 3/8" (10 MM)	S-A TUYAU 3/8" (10MM)	1
13	09ASS18	WATER TANK LID ASSY (PROBE)	S-A COUV. RESERVOIR COURT(SONDE)	1



UGASS16
GOURMET WATER TANK S-A PROBE
S-A RESERVOIR EAU GOURMET SONDE

# ITEM	# PIECE	ENGLISH DESCRIPTION	DESCRIPTION FRANÇAISE	QTY/QTE
1	96HAR01	SCREW 4-40 X 5/8" PAN PH SS	VIS 4-40 X 5/8" PAN PH SS	4
2	96HAR04	TOOTH LOCKWASHER #4 (INTERNAL)	RONDELLE DE RETENUE #4 (INTERNE)	4
3	96ASS09	WATER LEVEL SWITCH S-A	S-A INTERRUPTEUR DE NIVEAU D'EAU	1
4	09TAN02	SHORT HOT WATER TANK LID (PROBE)	COUVERCLE RESERVOIR COURT (SONDE)	1
5	PETAN03	ELEMENT 1250W SHORT	ELEMENT COURT 1250W	1
6	96ASS15	HOT WATER TANK FLOAT S-A	S-A FLOTTE RESERVOIR A EAU	1
7	96ELC06	HEATER SAFETY SWITCH S-A	S-A INTERRUPTEUR CONTROLE DE CHALEUR	1
8	SBHAR51	SCREW 6-32 X 1/4" PAN PHIL SS	VIS 6-32 X 1/4" PAN PHIL SS	2
9	13ELC01	PROBE AND CONNECTOR 15"	SONDE ET CONNECTEUR 15"	1



09ASS18
 WATER TANK LID ASSY (PROBE)
 S-A COUV. RESERVOIR COURT (SONDE)

# ITEM	# PIECE	ENGLISH DESCRIPTION	DESCRIPTION FRANÇAISE	QTY/QTE
1	96ELC14	BREAKER 5 AMP	DISJONCTEUR 5 AMP	1
2	03HAR32	STRAIN RELIEF BUSHING (BLACK) FOR POWER	BAGUE ANTI-TRACTION POUR POW (NOIRE)	1
3	15ELC02	POWER CABLE WITH TOWER GFCI ASSY	S-A CABLE ALIMENTATION GFCI TOWER	1
4	96ELC13	BREAKER 15 AMP	DISJONCTEUR 15 AMP	1
5	03ELC23-A	30 WIRE 14GA BLACK 4"	FIL #30 NOIR 14 GA 4"	1
6	03ELC23-B	31 WIRE 14GA BLACK 4"	FIL #31 NOIR 14 GA 4"	1

05ASS45
GFCI ELECTRIC PANNEL ASSY FOR AVALON
S-A PANNEAU ELECTRIQUE GFCI AVALON

