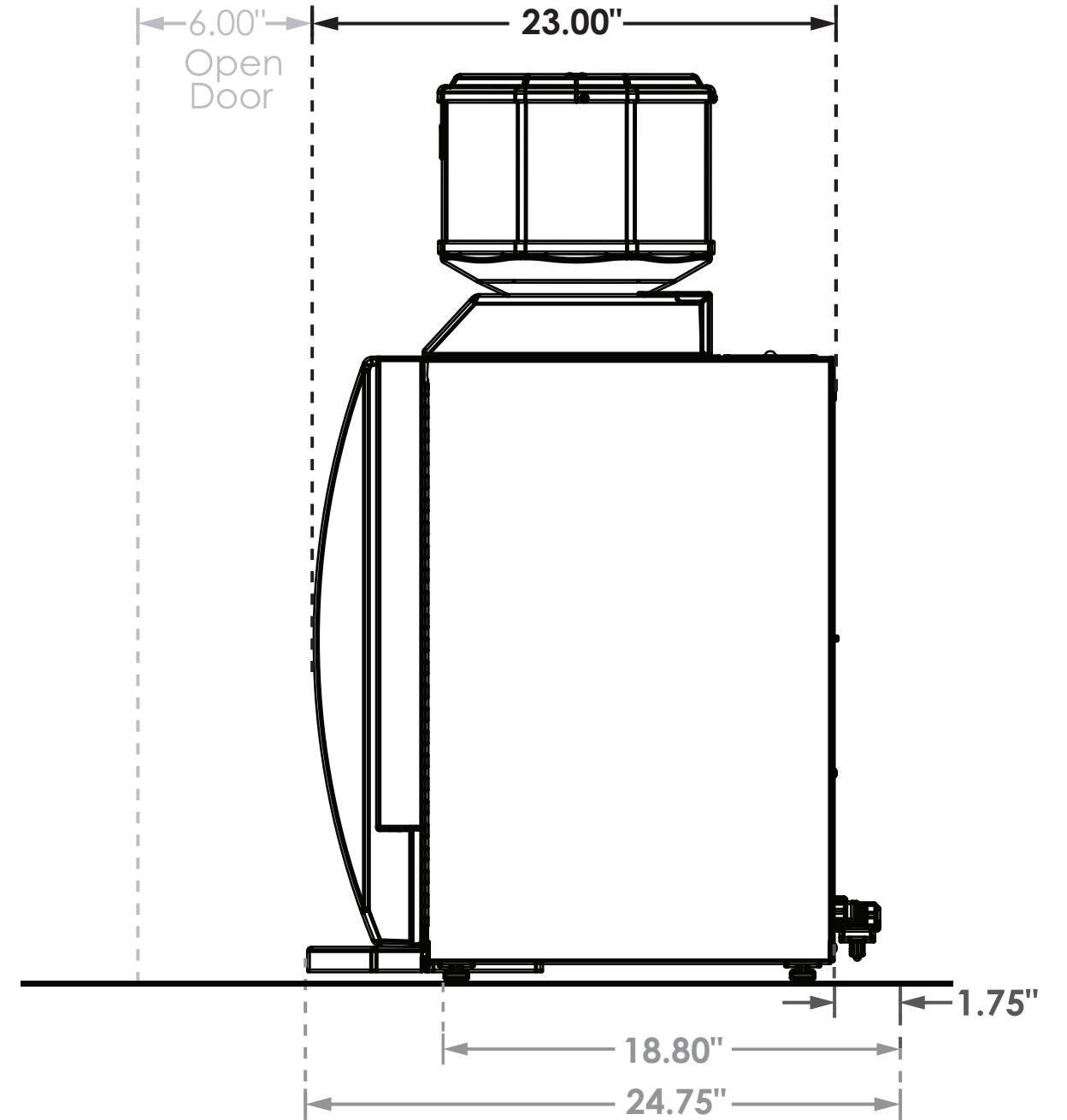
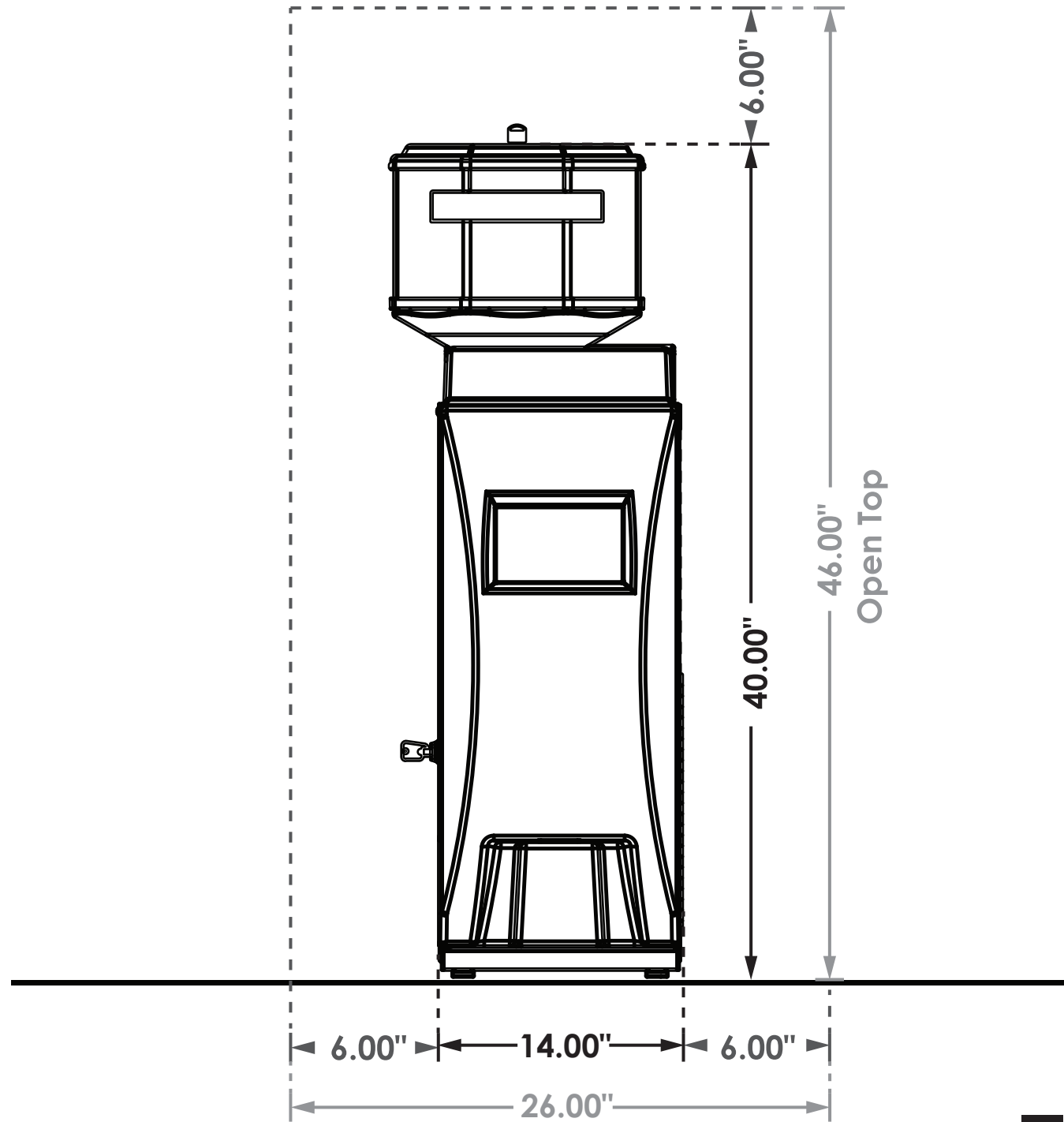


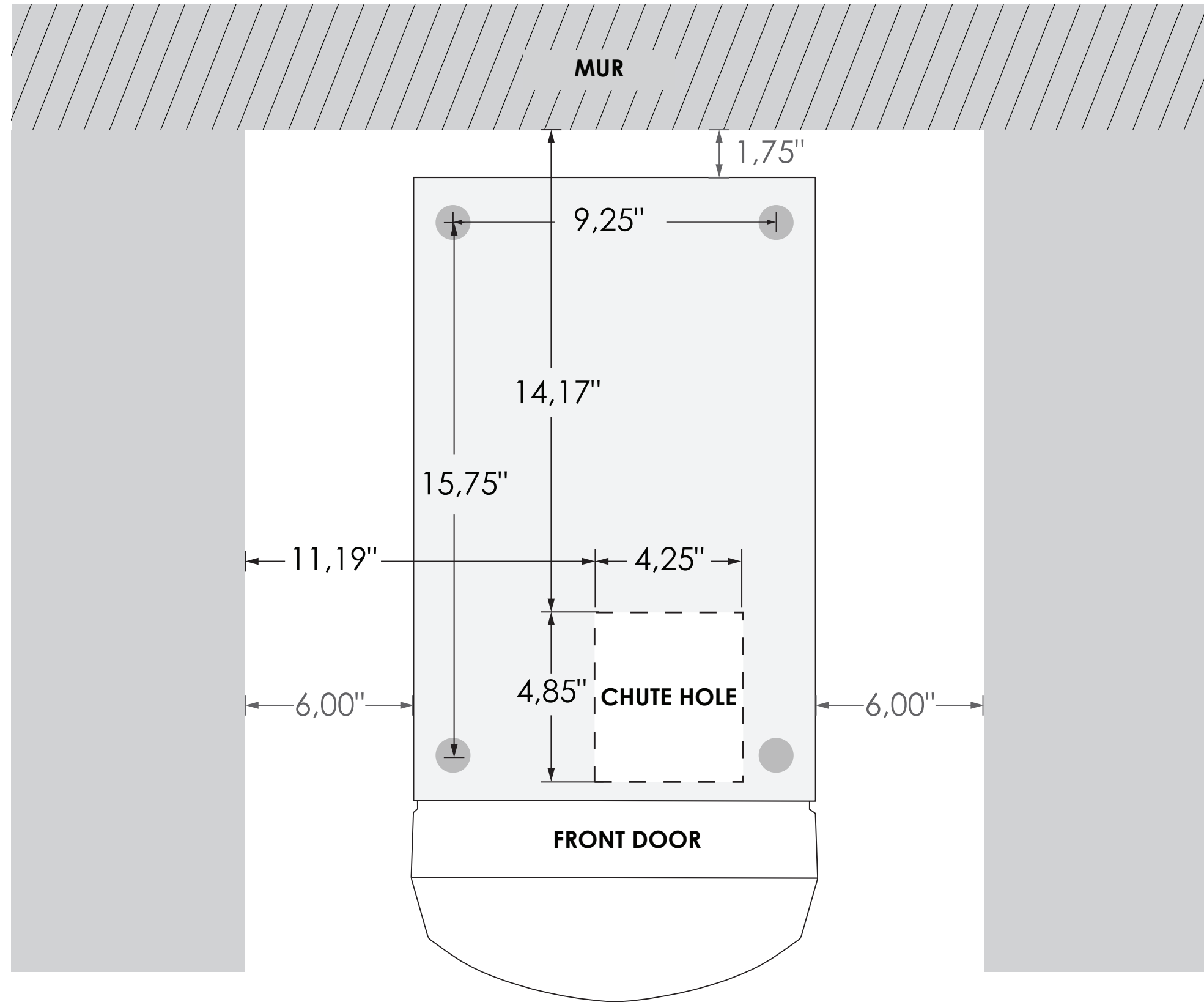
DIMENSIONS & CLEARANCES TOTAL LITE



- Dimensions
- Minimum Space Requirements
- Total
- Other Info

MAX 5 FEET DISTANCE OF ELECTRICAL OUTLET

CHUTE HOLE POSITION TOTAL LITE



"HOLE EDGES SHOULD BE SEALED WITH SILICONE OR AN APPROPRIATE SEALANT FOR PROTECTION AGAINST WATER DAMAGE"