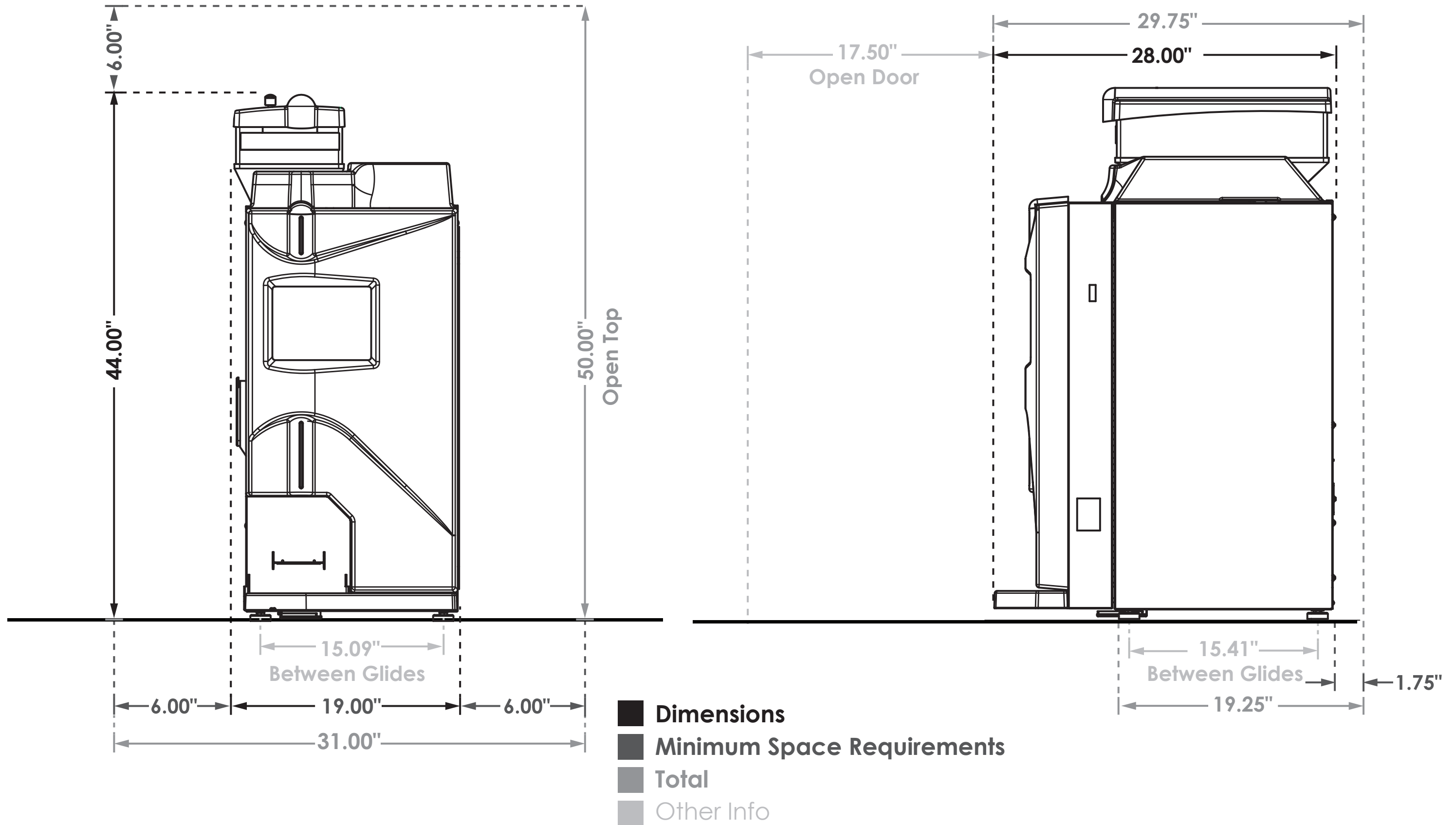
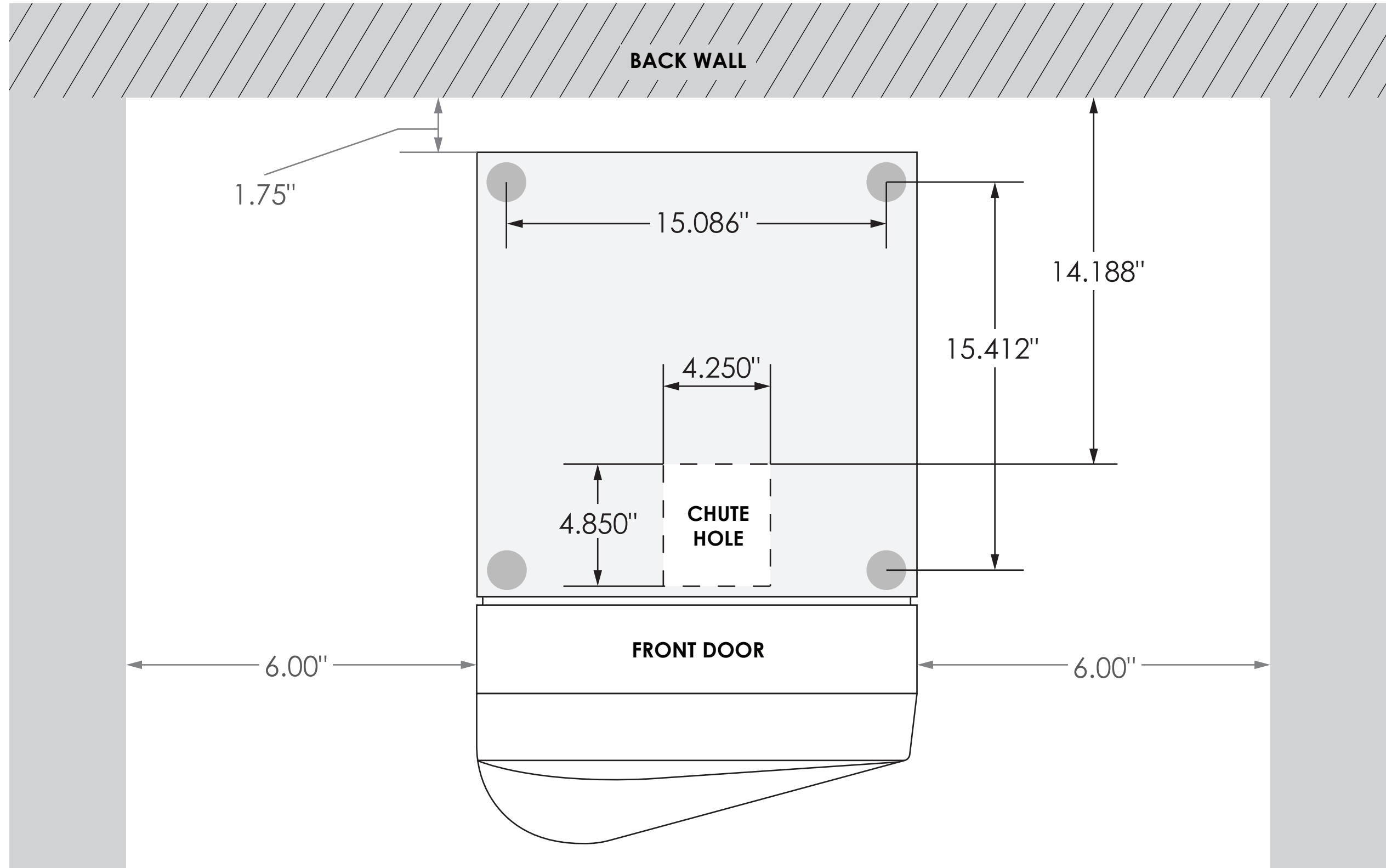


DIMENSIONS & CLEARANCES TOTAL 1



MAX 5 FEET DISTANCE OF ELECTRICAL OUTLET

CHUTE HOLE POSITION TOTAL 1



"HOLE EDGES SHOULD BE SEALED WITH SILICONE OR AN APPROPRIATE SEALANT FOR PROTECTION AGAINST WATER DAMAGE"