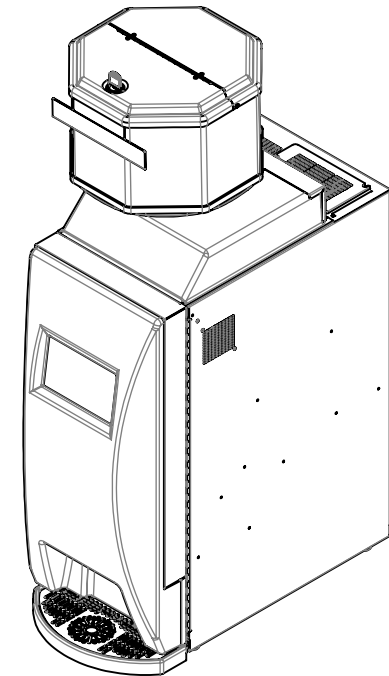
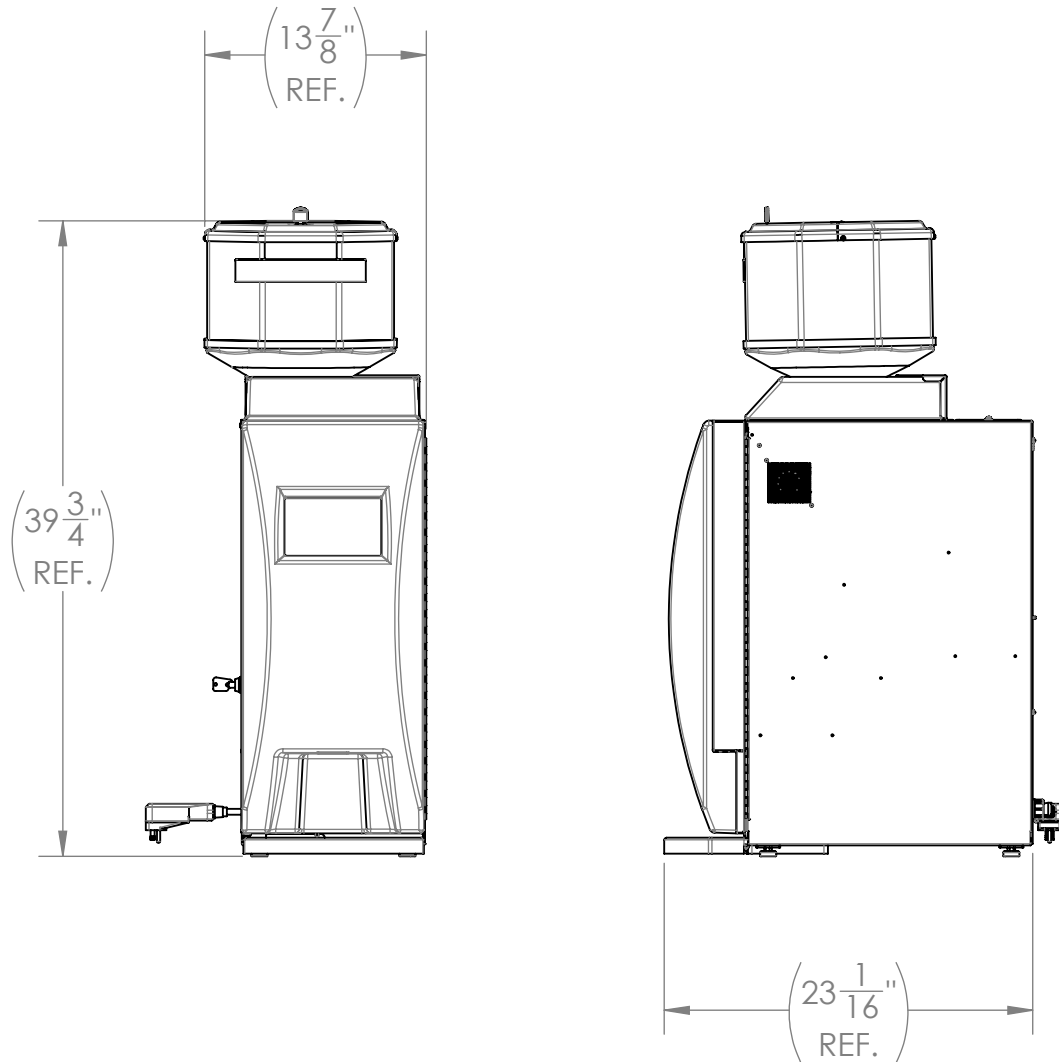


# PARTS BOOK

## MANUEL DE PIÈCES

### PB-TL1204

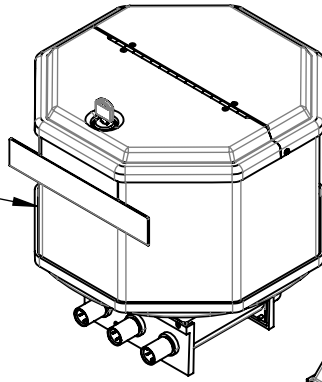


Coffee brewer's detailed parts reference manual.  
Parts shown in this manual may not be individually available for purchase.

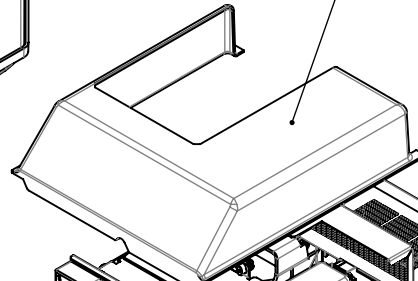
Manuel de référence des pièces de la cafetière.  
Les pièces illustrées pourraient ne pas être vendues individuellement.



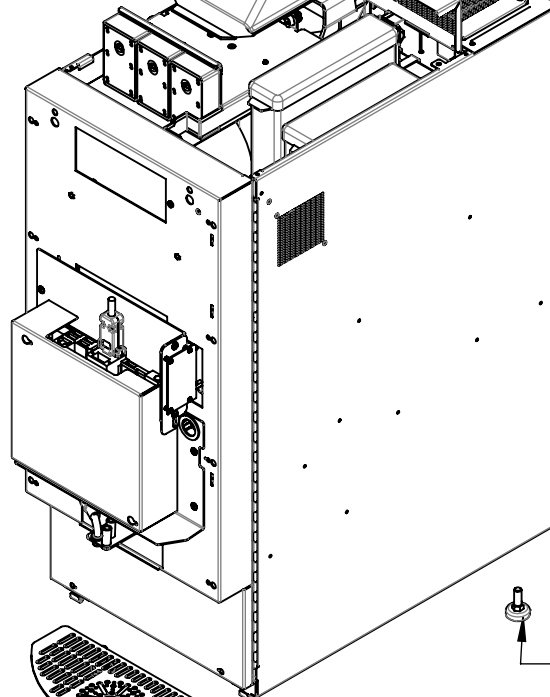
**PEASS26**  
S-A CONTENANT 3 GRAINS  
LA PETITE  
CANISTER FOR COFFEE 3 BEANS S-A  
LA PETITE



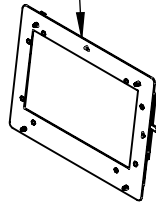
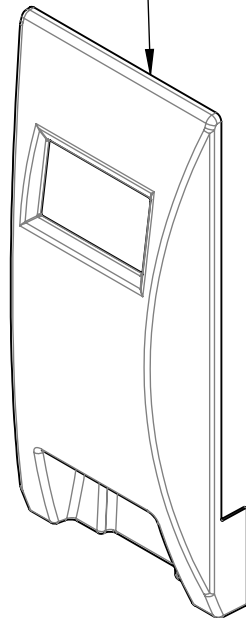
**PECAB33NL**  
3 BEANS PLASTIC TOP LA PETITE  
CAPOT 3 GRAINS LA PETITE



**22ACC02**  
S-A ECRAN TACTILE TOTAL LITE  
TOTAL LITE TOUCHSCREEN ASSY



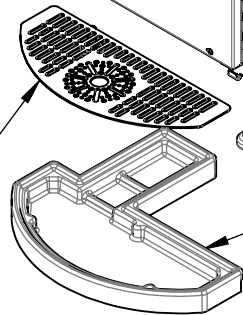
**12DOR20NL**  
GLOSS BLACK TOTAL LITE FASCIA  
FASCIA TOTAL LITE NOIR LUSTRE



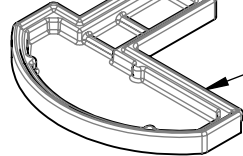
**12CAB01**  
LEVELING GLIDE 5/16 - 18 x 3/4 NICKEL  
PATTE 5/16 - 18 x 3/4 FINI NICKEL



**PECAB08NL**  
GLOSS BLACK TOTAL LITE DRIP TRAY  
BAC A LIQUIDE TOTAL LITE NOIR LUSTRE

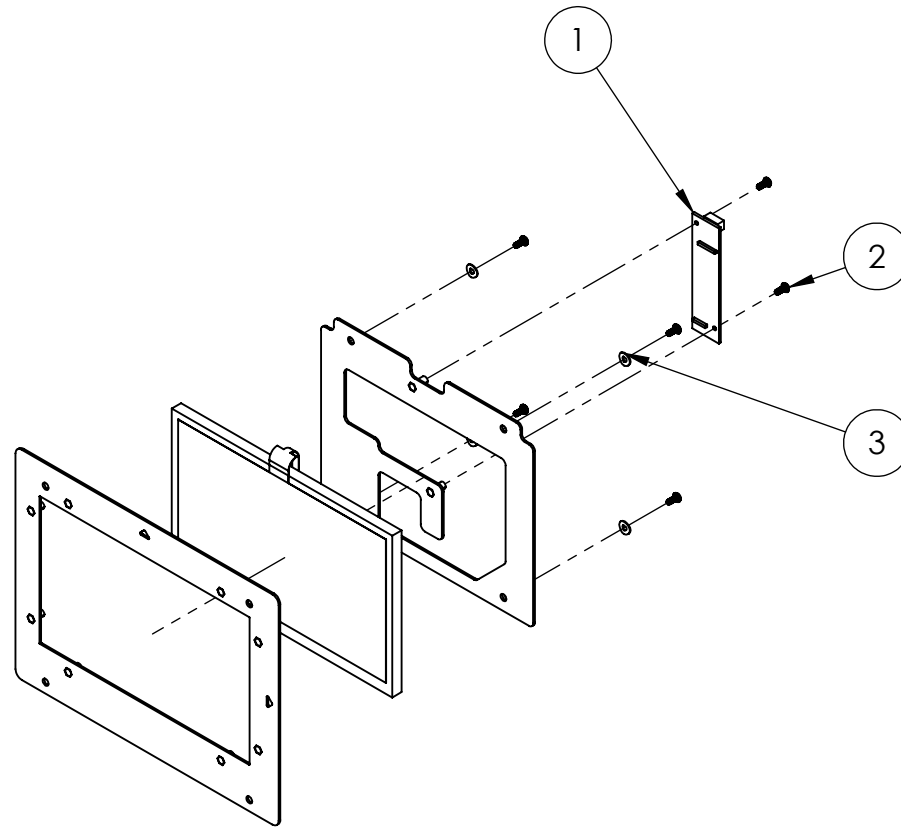


**PECAB09**  
LIQUID DISPENSER GRILL  
GRILLE BAC A LIQUIDE

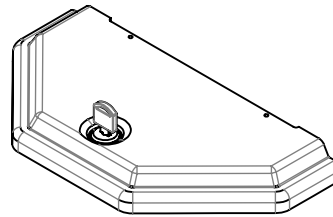


# Item	# Pièce	ENGLISH DESCRIPTION	DESCRIPTION FRANCAISE	QTY / QTE
1	12ELN04	TOUCH CONTROLLER CARD	CARTE CONTROLEUR TACTILE	1
2	11HAR07	4-40 X 1/4" ROUND PS SS SCREW	VIS 4-40 X 1/4" RONDE PH SS	6
3	15HAR01	SINGLE WAVE SPRING WASHER M3 A2 SS	RONDELLE A RESSORT ONDULEE M3 SS A2	4

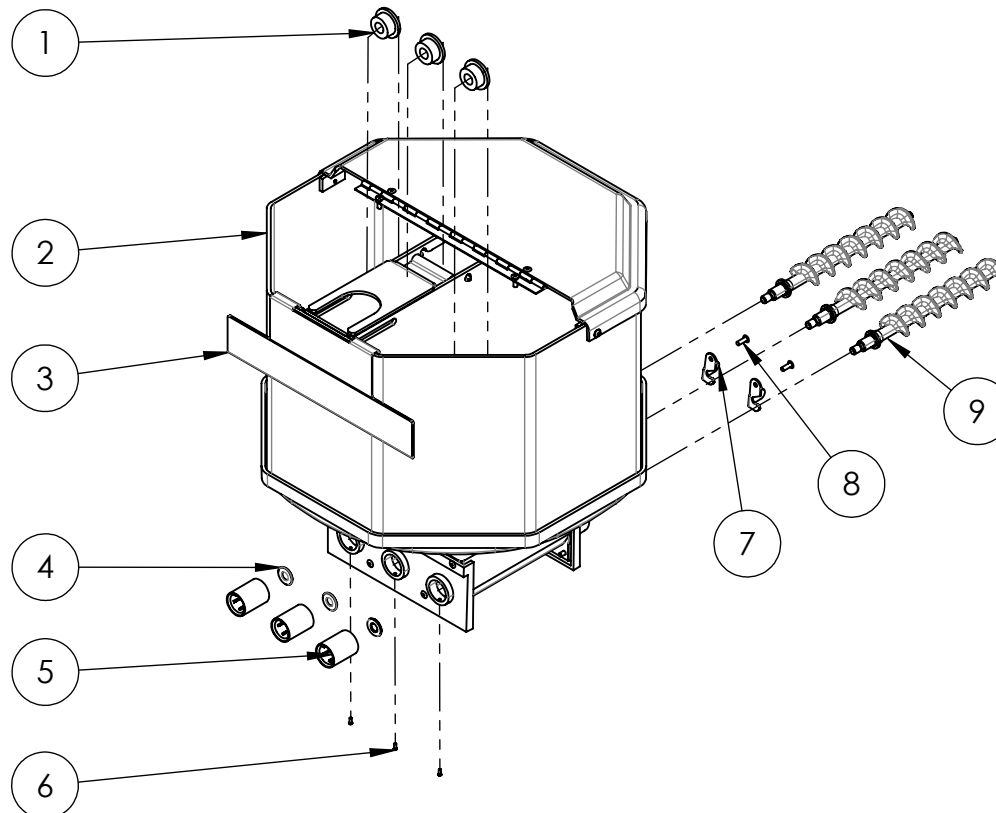
**22ACC02**  
S-A ECRAN TACTILE TOTAL LITE  
TOTAL LITE TOUCHSCREEN ASSY

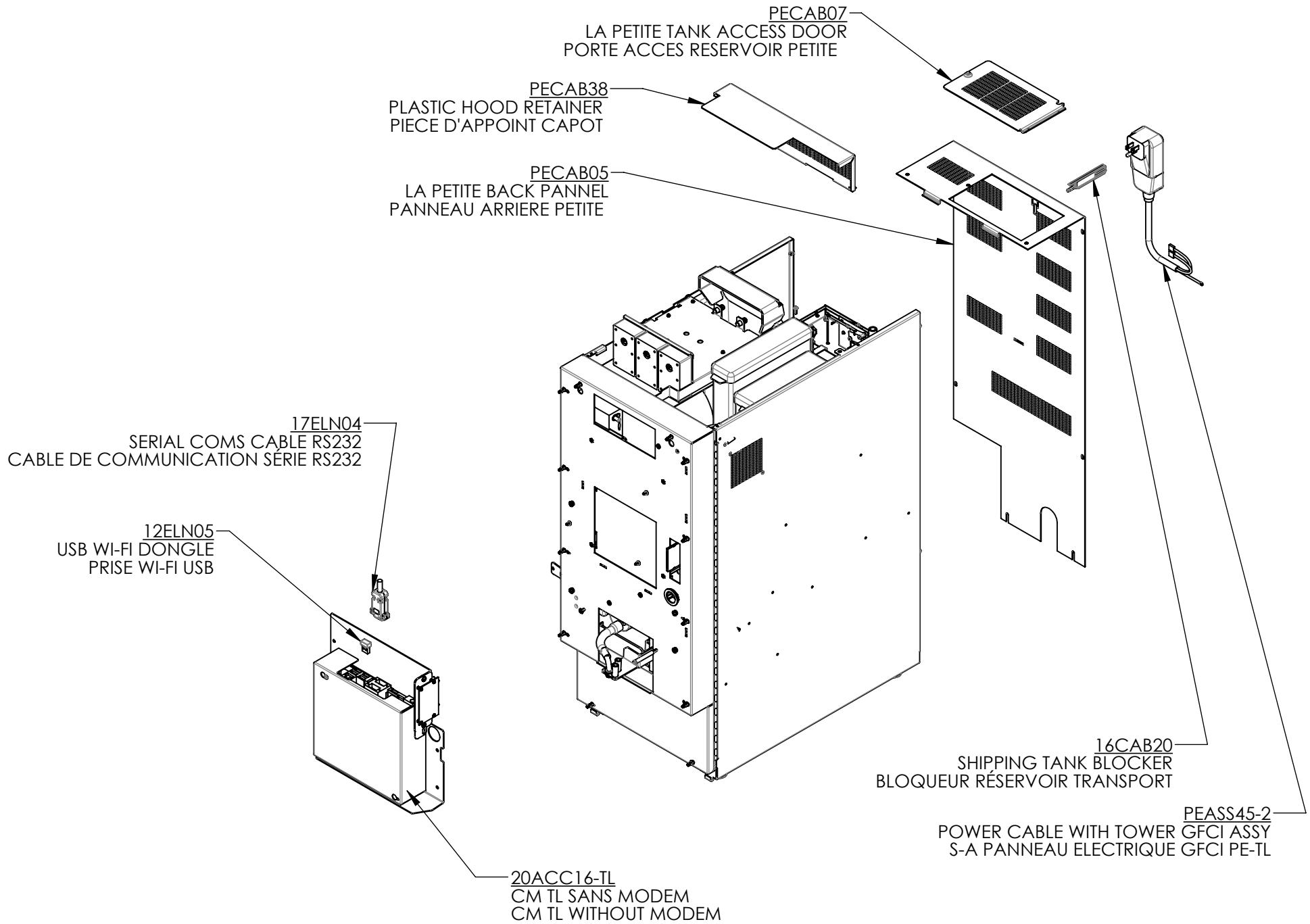


# Item	# Pièce	ENGLISH DESCRIPTION	DESCRIPTION FRANÇAISE	QTY/QTE
1	03CAN105	WHOLE BEAN HOPPER BUSHING	EPAULEMENT CONTENANT A GRAINS	3
2	PECAN04	3 BEANS CANISTER'S LA PETITE	CONTENANT A GRAINS (3 GRAINS)	1
3	14ACC07	COFFEE IDENT. CARD HOLDER	SUPPORT CARTES IDENT. CAFES	1
4	96HAR42	FLAT WASHER .285 X .625 X .045 SS	RONDELLE PLATE .285 X .625 X .045 SS	3
5	03CAN03	WB HOPPER SPRING PLASTIC AUGER COUPLING	EMBRAYAGE VIS SANS FIN CONTENANT GRAINS	3
6	07HAR02	VIS FAUSSE TYPE "U" 3/16" RONDE SS	VIS FAUSSE TYPE "U" 3/16" RONDE SS	3
7	03CAN06	WHOLE BEAN HOPPER CANSITER LOCK LATCH	LOQUET DE LA BARRURE CONTENANT A GRAINS	2
8	04HAR04	1/8" X 3/8" ALUMINUM RIVET	RIVET 1/8" X 3/8" ALUMINIUM	2
9	03CAN02C	AUGER ASSEMBLY 166MM LONG	VIS SANS FIN COUPEE DU CONTENANT A GRAIN	3



**PEASS26**  
CANISTER FOR COFFEE 3 BEANS S-A LA PETITE  
S-A CONT. 3 GRAINS LA PETITE





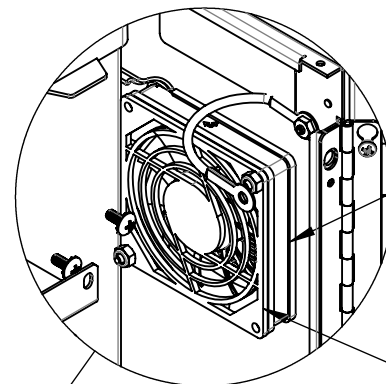
17CAB69  
 BEAN'S FUNNEL PROTECTOR TL  
 PROTECTEUR ENTONNOIR À GRAINS TL

**16ASS07**

OU / OR

**PEASS01-2**

ANCIENNE VERSION /  
 OLD VERSION



15ELC04  
 FAN WITH LONG WIRES (13,5")  
 VENTILATEUR MINCE FILS  
 LONGS (13,5")

96ELC30  
 FAN GUARD  
 PROTECTEUR DU VENTILATEUR

16DOR06  
 TL-EL-EG BOARD PRTECTION METAL PLATE  
 PLAQUE PROTECTION CARTE TL-EL-EG

PEDOR02  
 DOOR LATCH  
 LOQUET POUR PORTE DE BOITIER

PEDOR30  
 KEY, (#R32687)  
 CLÉ (#R32687)

PEDOR03  
 #R32687 LOCK 13 MM  
 SERRURE (#R32687) 13 MM

PECAB16  
 CHUTE LA PETITE  
 CHUTE A DECHET LA PETITE

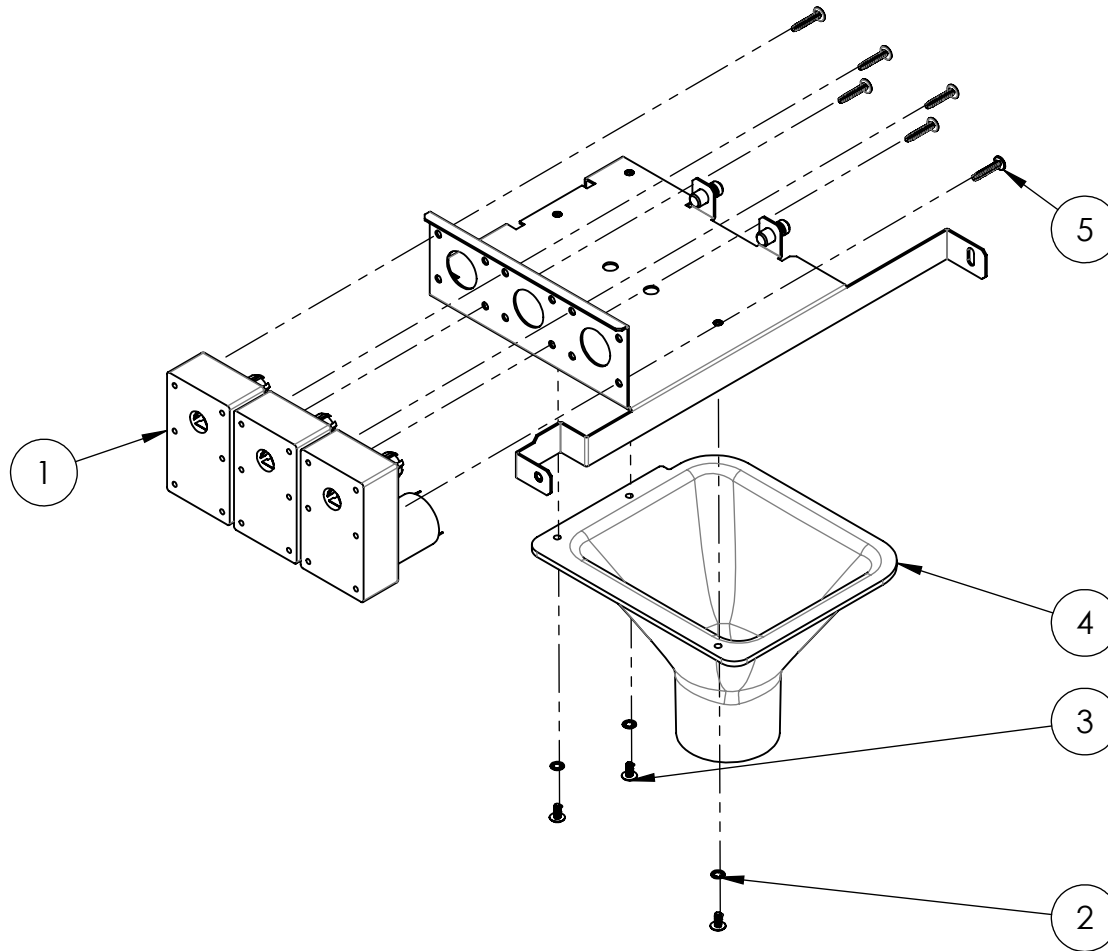
**PEACC04**

PECAB17  
 SQUARE CHUTE  
 BASE DE LA CHUTE A DECHETS

PECAB15  
 WASTE BASKET FOR LA PETITE  
 BAC A RESIDUS LA PETITE

PEASS19  
 LA PETITE FRONT PANEL ASSY  
 S-A PANNEAU AVANT LA PETITE

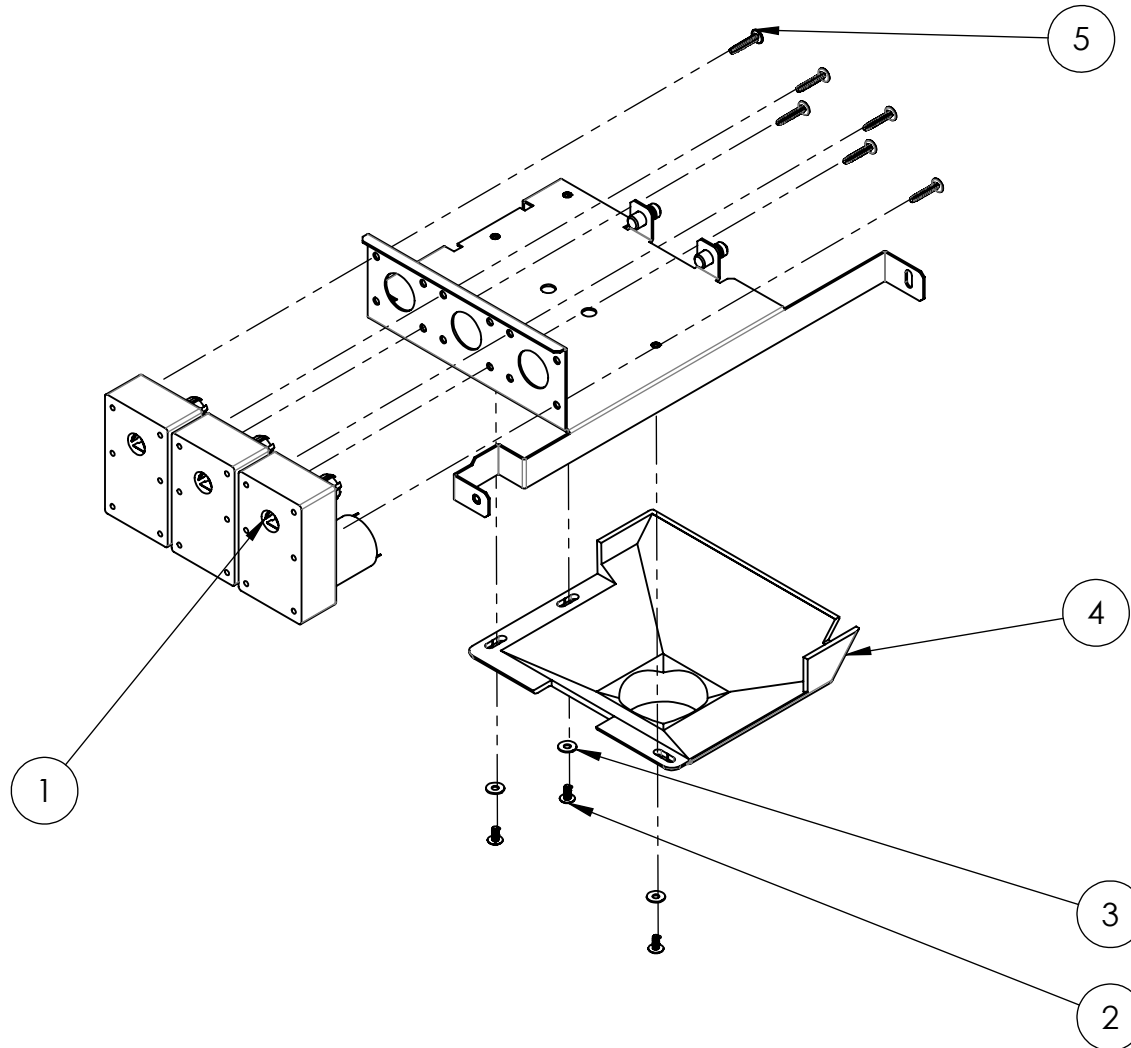
# Item	# Pièce	ENGLISH DESCRIPTION	DESCRIPTION FRANÇAISE	QTY/QTE
1	15MOT02	24V 145 RPM INGREDIENT MOTOR	MOTEUR INGREDIENT 24V 145 RPM	3
2	96HAR10	TOOTH LOCKWASHER #6 (INTERNAL)	RONDELLE DE RETENUE #6 (INTERNE)	3
3	18HAR11	SCREW 6-32 X 5/16" TRUSS PH ZN	VIS 6-32 X 5/16" TRUSS PH ZN	3
4	16CAB13	BEANS PLASTIC CHUTE LONG	ENTONNOIR A GRAINS ALLONGE	1
5	18HAR23	SCREW 6-19 X 3/4" TRUSS PH ZN HIGH-LOW	VIS 6-19 X 3/4" TRUSS PH ZN HIGH-LOW	6
6	15ELC05	3 BEANS SHELF COFFEE MOTOR HARNESS	HARNAIS MOTEURS CAFE DIGI I-CUP	1



**16ASS07**  
 3 BEANS SHELF ASSY  
 S-A TABLETTE 3 GRAINS  
 TL-EL

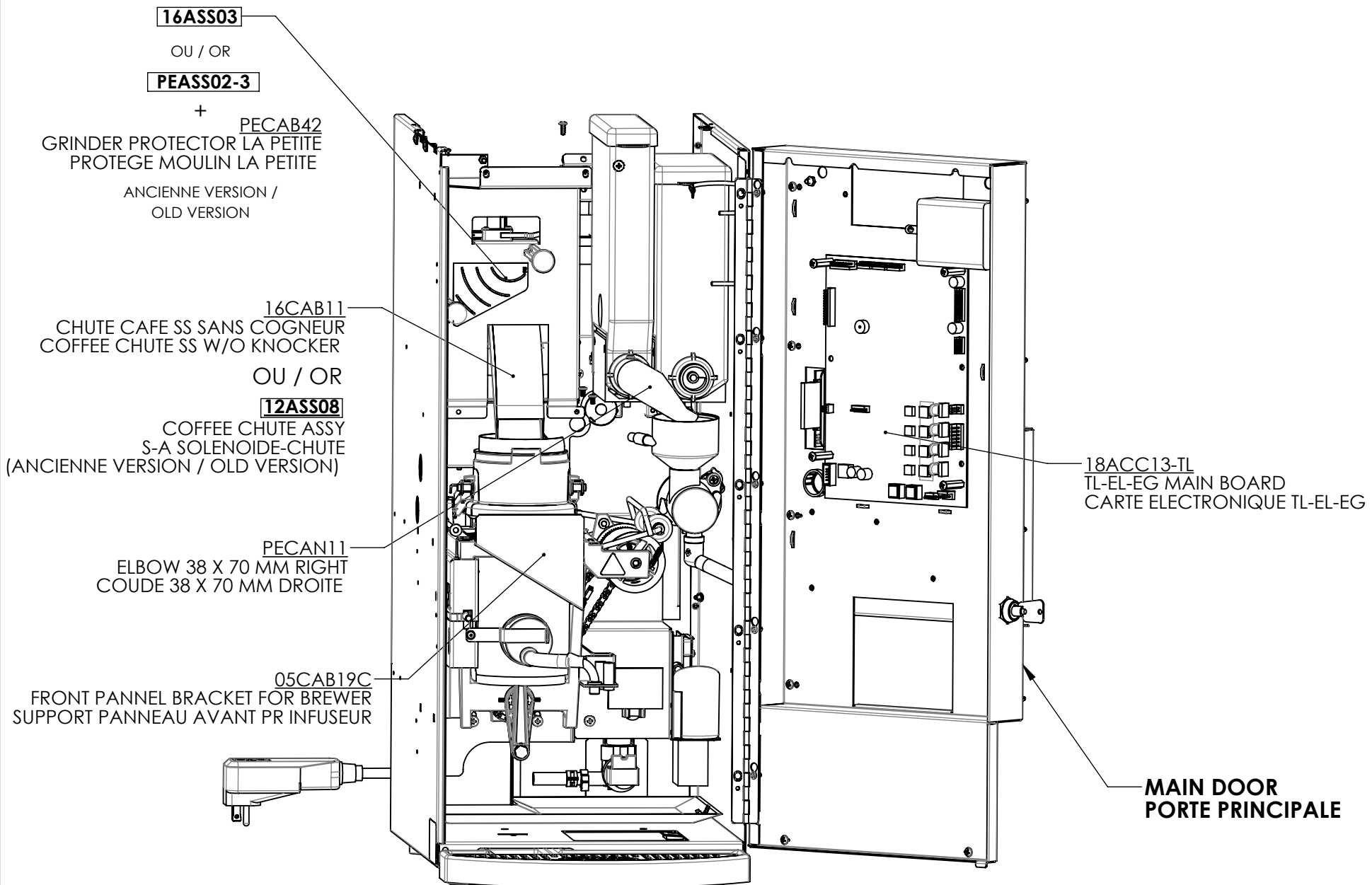


# Item	# Pièce	ENGLISH DESCRIPTION	DESCRIPTION FRANÇAISE	QTY/QTE
1	04MOT01	24V 145 RPM INGREDIENT MOTOR	MOTEUR INGREDIENT 24V 145 RPM	3
2	18HAR11	SCREW 6-32 X 5/16" TRUSS PH ZN	VIS 6-32 X 5/16" TRUSS PH ZN	3
3	96HAR73	FLAT WASHER .150 X .375 X .032 #6 SS	RONDETE PLATE .150 X .375 X .032 SS #6	3
4	PECAN22	PE-05 3 BEANS PLASTIC CHUTE	ENTONNOIR A 3 GRAINS PE-05	1
5	18HAR23	SCREW 6-19 X 3/4" TRUSS PH ZN HIGH-LOW	VIS 6-19 X 3/4" TRUSS PH ZN HIGH-LOW	6



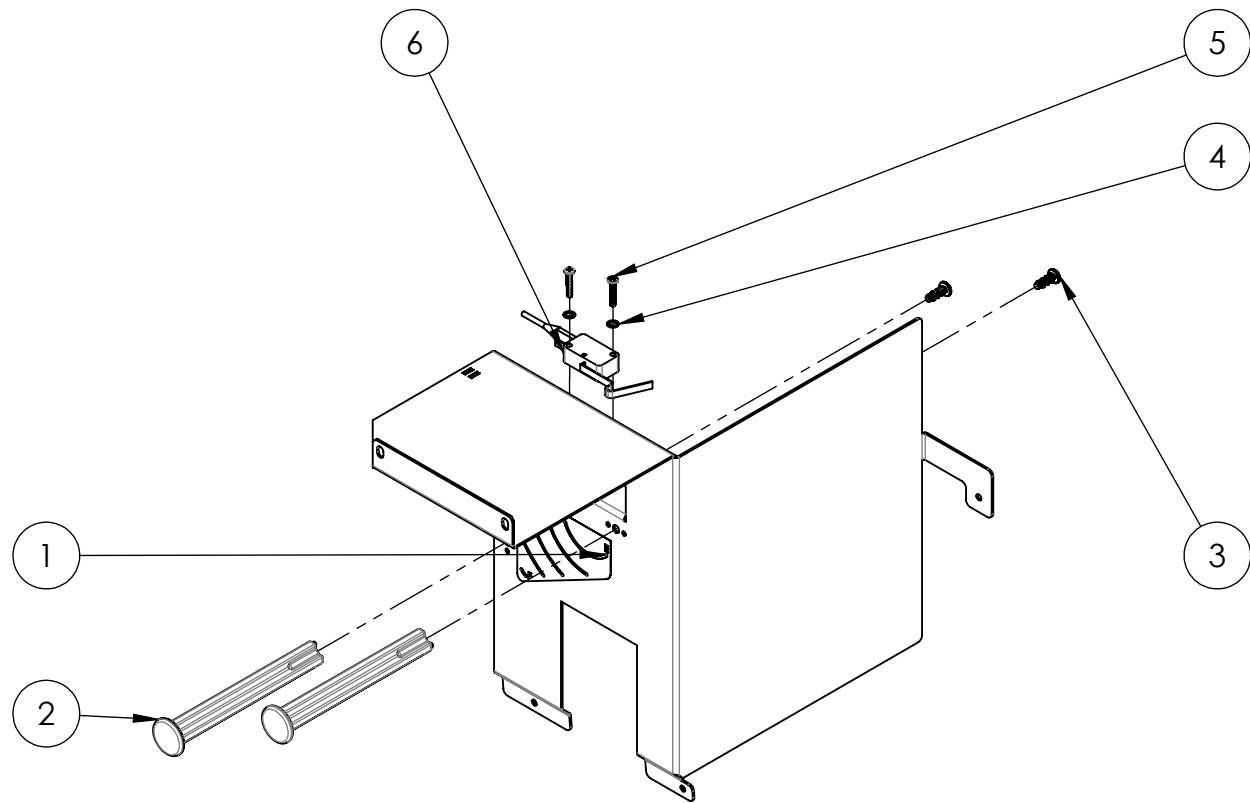
**PEASS01-2**  
 LA PETITE 3 BEANS SHELF ASSY  
 S-A TABLETTE 3 GRAINS LA PETITE

ANCIENNE VERSION  
 OLD VERSION

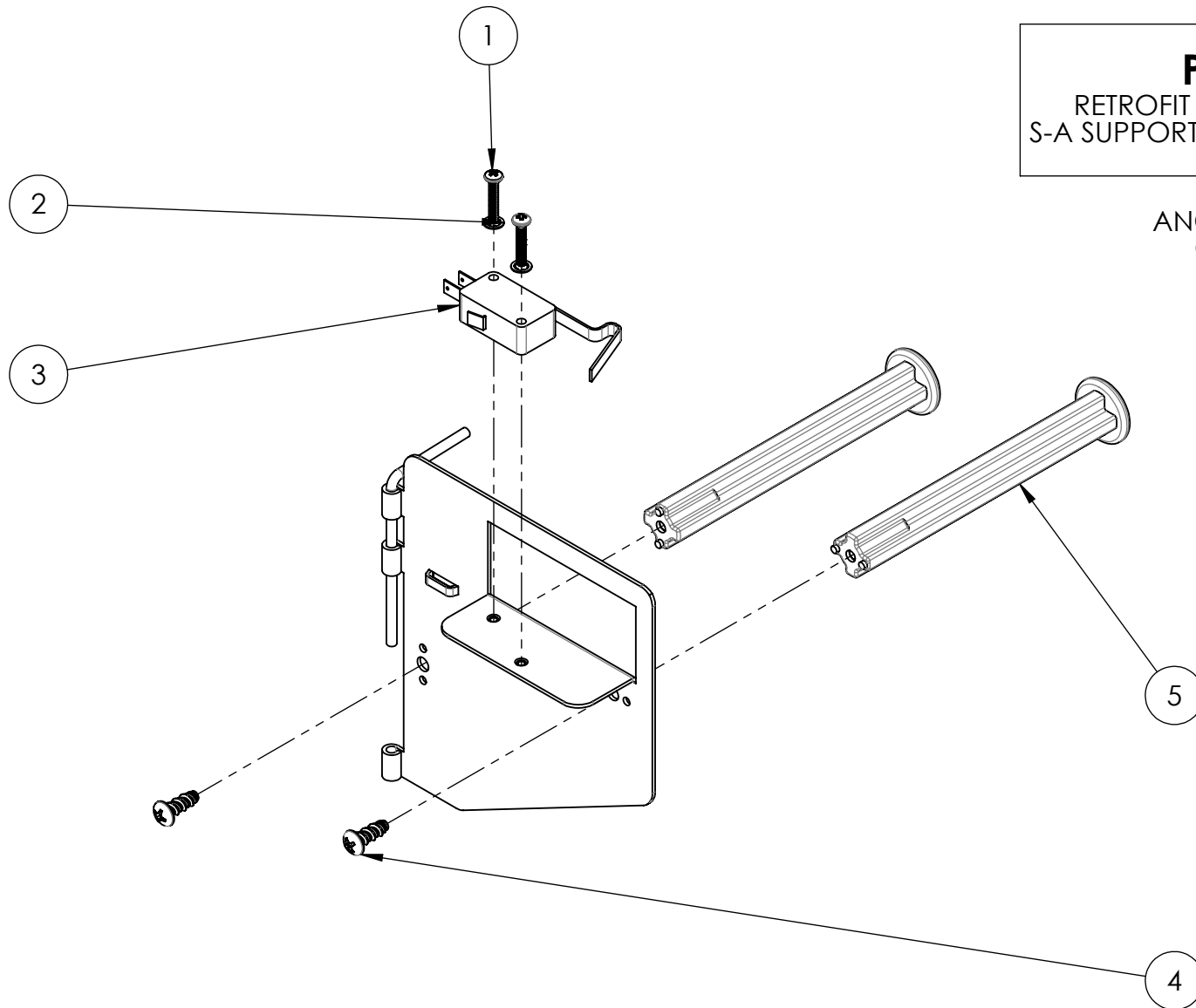


# Item	# Pièce	ENGLISH DESCRIPTION	DESCRIPTION FRANÇAISE	QTY/QTE
1	15LAB04	FILTER PAPER LEVEL LABEL	DECALQUE NIVEAU PAPIER FILTRE	1
2	03CAB06	INJECTED FILTER PAPER ROD	TIGE PAPIER FILTRE INJECTEE	2
3	03HAR04	SCREW #10 X 1/2" PAN PHIL HIGH-LOW ZINC	VIS #10 X 1/2" PAN PHIL HIGH-LOW ZINC	2
4	96HAR04	TOOTH LOCKWASHER #4 (INTERNAL)	RONDELLE DE RETENUE #4 (INTERNE)	2
5	96HAR01	SCREW 4-40 X 5/8" PAN PH SS	VIS 4-40 X 5/8" PAN PH SS	2
6	09ASS04	PAPER SWITCH + WIRES S-A	S-A INTERRUPTEUR PAPIER + FILS	1

**16ASS03**  
S-A SUPPORT PAPIER ET PROTEGE MOULIN  
FILTER PAPER & GRINDER PROTECTOR ASSY



# Item	# Pièce	ENGLISH DESCRIPTION	DESCRIPTION FRANÇAISE	QTY/QTE
1	96HAR01	SCREW 4-40 X 5/8" PAN PH SS	VIS 4-40 X 5/8" PAN PH SS	2
2	96HAR04	TOOTH LOCKWASHER #4 (INTERNAL)	RONDELLE DE RETENUE #4 (INTERNE)	2
3	09ASS04	PAPER SWITCH + WIRES S-A	S-A INTERRUPTEUR PAPIER + FILS	1
4	03HAR04	SCREW #10 X 1/2" PAN PHIL HIGH-LOW ZINC	VIS #10 X 1/2" PAN PHIL HIGH-LOW ZINC	2
5	03CAB06	INJECTED FILTER PAPER ROD	TIGE PAPIER FILTRE INJECTEE	2



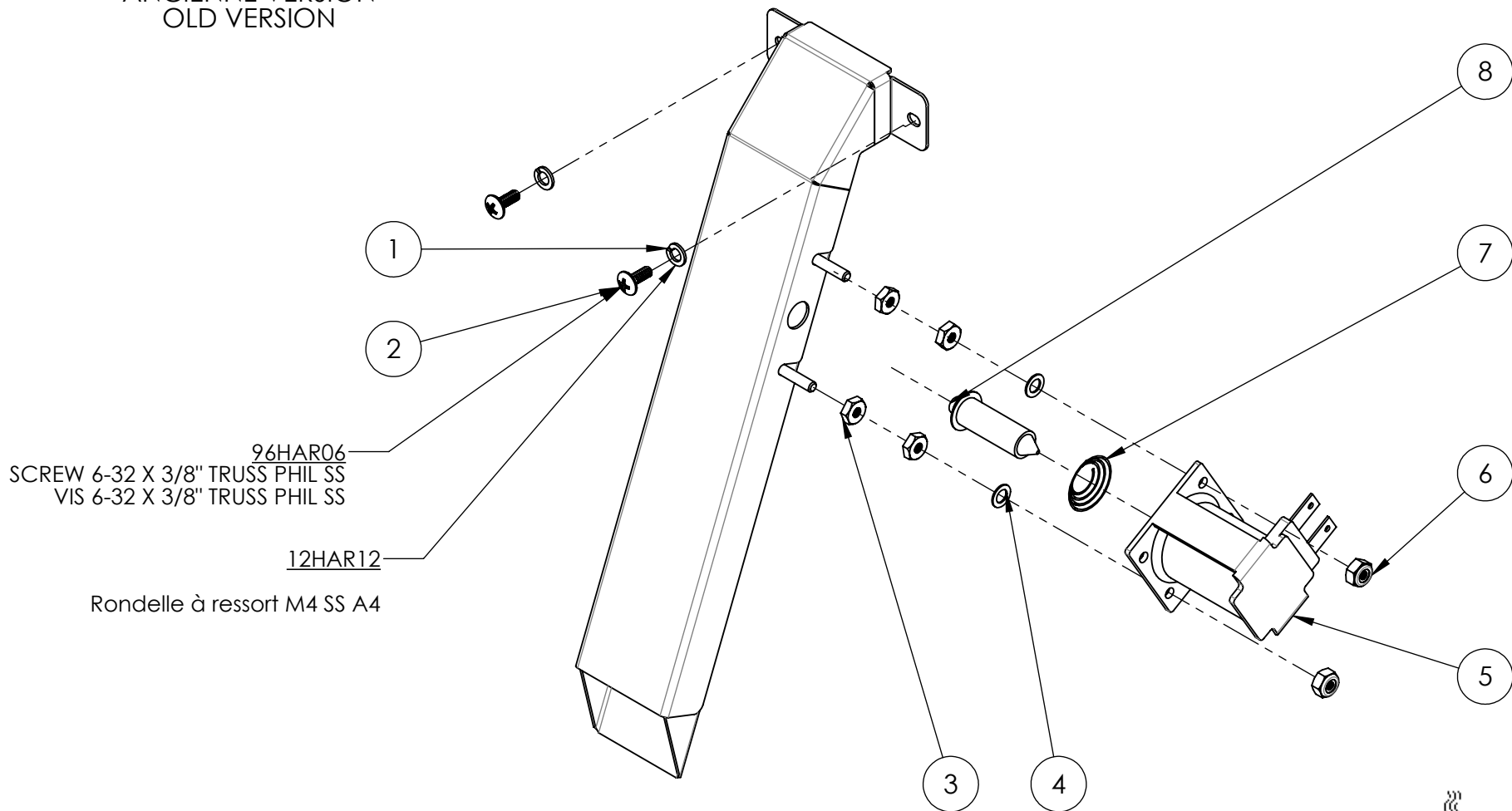
**PEASS02-3**  
 RETROFIT PAPER FILTER ROD S-A  
 S-A SUPPORT TIGE PAPIER FILTRE RETRO

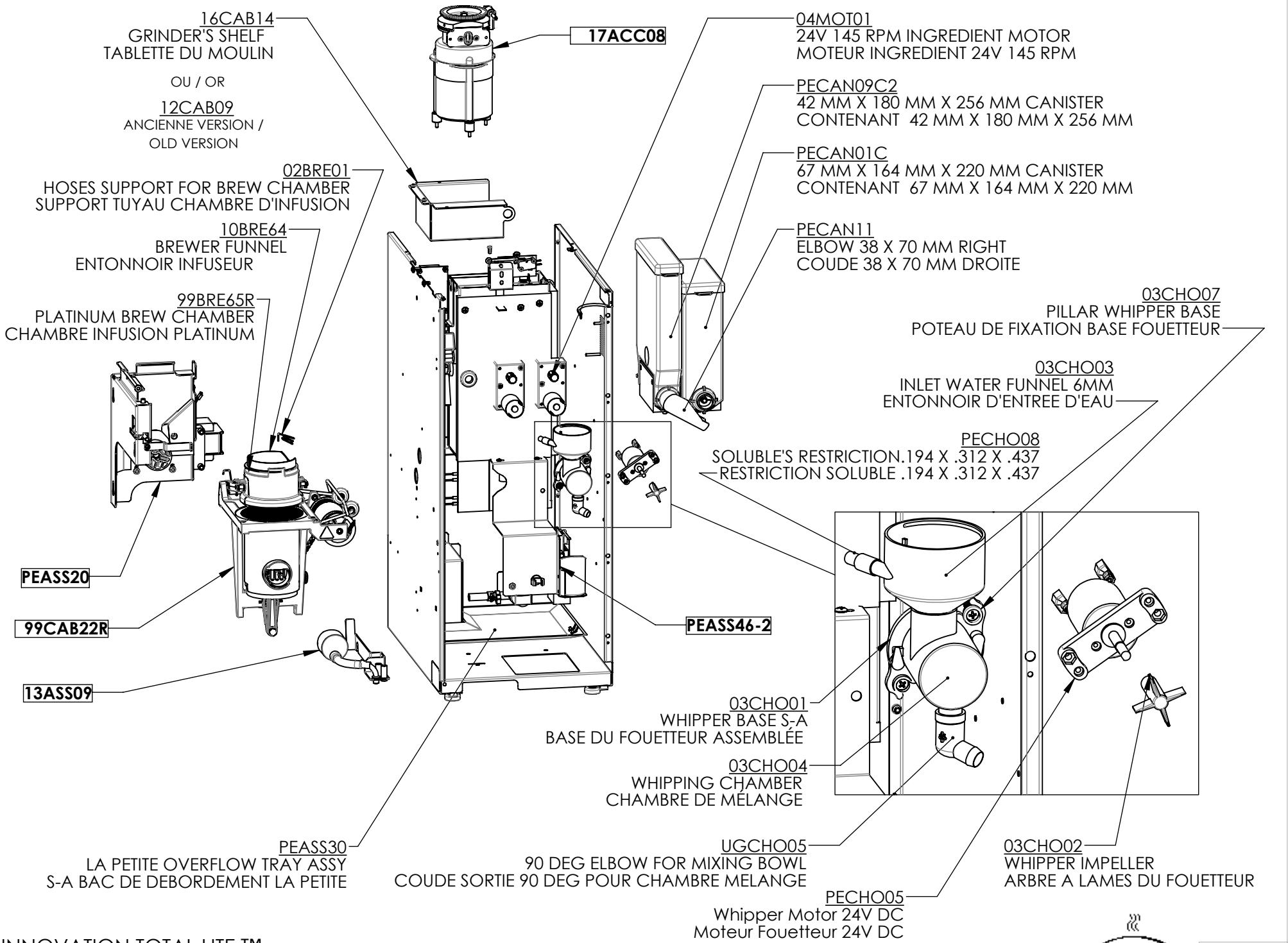
ANCIENNE VERSION  
 OLD VERSION

**12ASS08**  
COFFEE CHUTE ASSY  
S-A SOLENOIDE-CHUTE

# ITEM	# PIECE	ENGLISH DESCRIPTION	DESCRIPTION FRANCAISE	QTY/QTE
1	12HAR12		Rondelle à ressort M4 SS A4	2
2	96HAR06	SCREW 6-32 X 3/8" TRUSS PHIL SS	VIS 6-32 X 3/8" TRUSS PHIL SS	2
3	96HAR09	6-32 NUT HEX STAINLESS	ECROU 6-32 HEXAGONAL SS	4
4	96HAR107	VITON O'RING .188 X .312 X .062"	O'RING .188 X .312 X .062 VITON	2
5	05ACC03	SOLENOID DSV11C DC 24V 11W	SOLENOIDE DSV11C DC 24V 11W	1
6	96HAR44	NYLON LOCK NUT 6-32	ECROU 6-32 AUTOBLOQUANT ZN & NYLON	2
7	96TAN40	SPRING PLUNGER DSV11 8 OZ	RESSORT DU PLONGEUR DSV11 8 OZ	1
8	PETAN15	PLUNGER DSV11C 24V (DC)	PLONGEUR DSV11C 24V (DC)	1

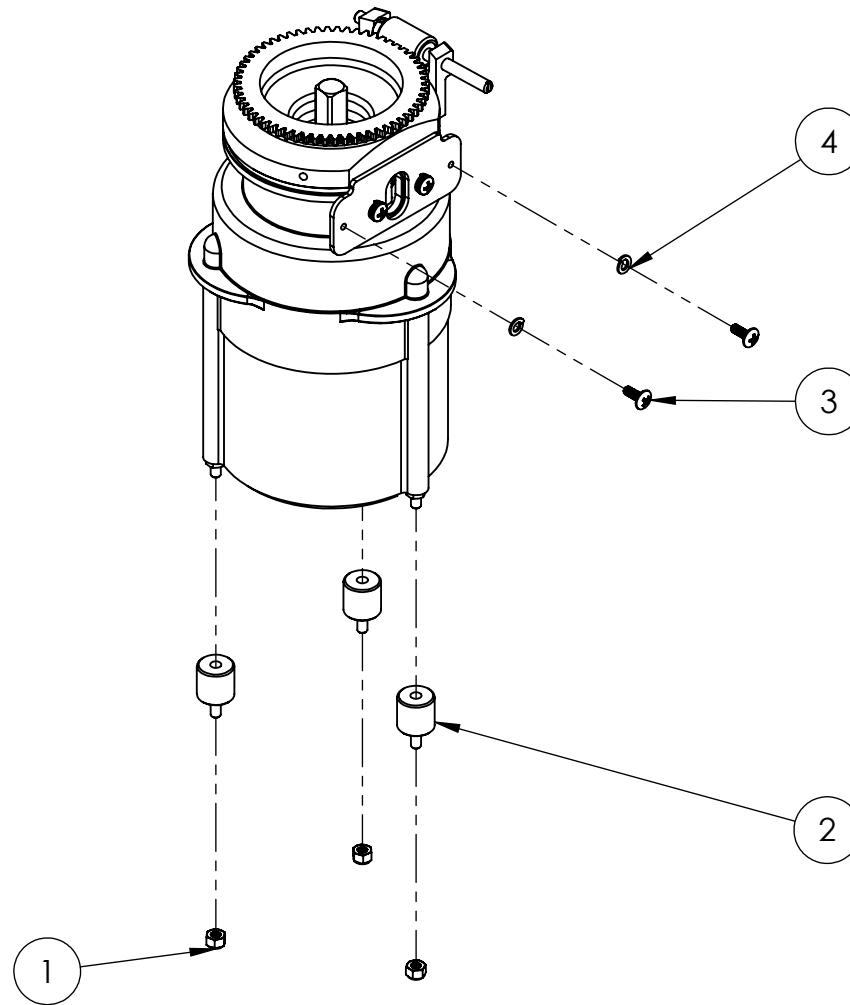
ANCIENNE VERSION  
OLD VERSION





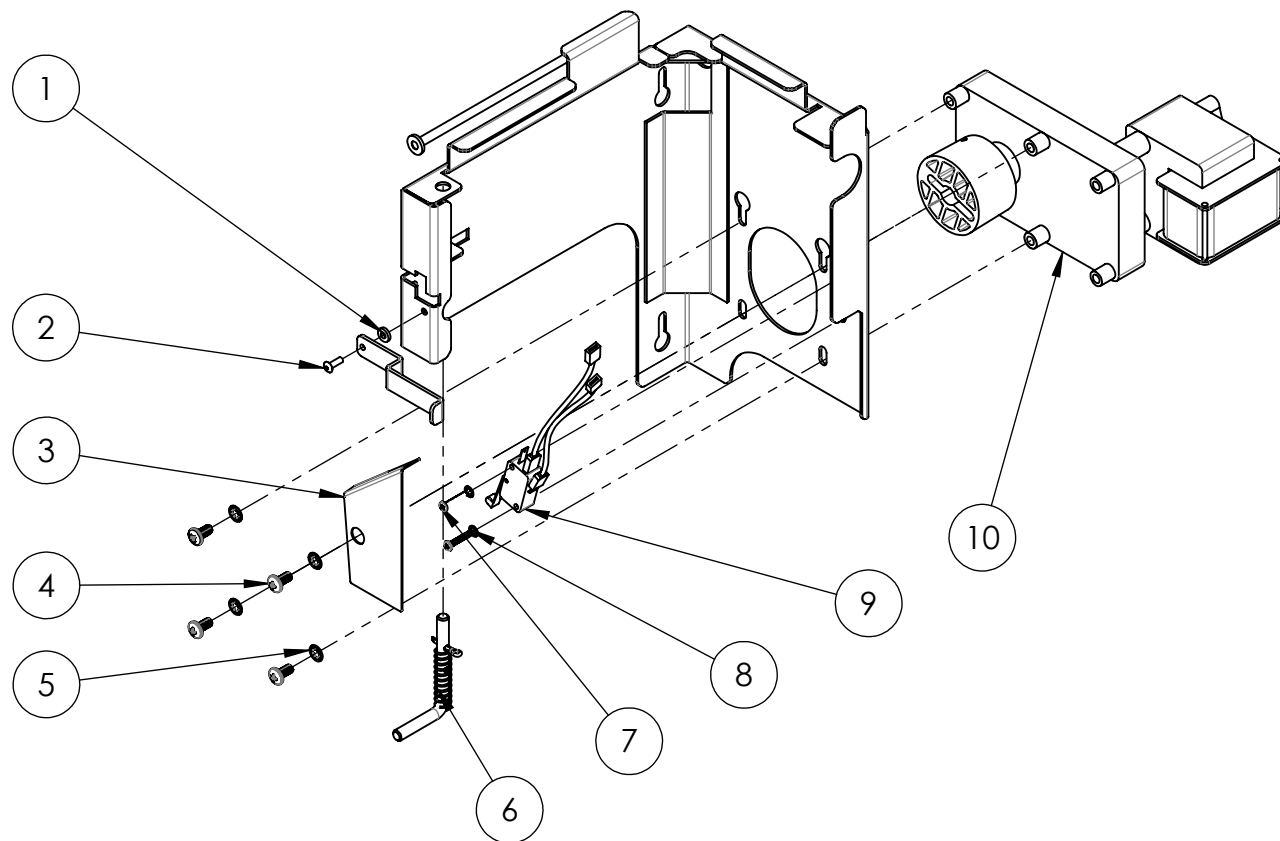
# ITEM	# PIECE	ENGLISH DESCRIPTION	DESCRIPTION FRANCAISE	QTY/QTE
1	98HAR86	NUT 4MM 0.70 ZINC GR: 8.8	ECROU M4 X .7MM AUTOBLOQUANT ZINC & NYLO	3
2	07HAR10	RUBBER BUMPER (ANTI-VIBRATION MOUNT)	PATTE ANTI VIBRATION FILETÉ	3
3	96HAR06	SCREW 6-32 X 3/8 TRUSS PHIL SS	VIS 6-32 X 3/8" TRUSS PHIL SS	2
4	12HAR12	HELICAL SPLIT LOCKWASHER M4 A4 SS	RONDELLE A RESSORT M4 SS A4	2

**17ACC08**  
GRINDER ASSY  
S-A MOULIN



# Item	# Pièce	ENGLISH DESCRIPTION	DESCRIPTION FRANÇAISE	QTY/QTE
1	06HAR02	NYLON WASHER .140 X .312 X .062	RONDELLE PLATE .140 X .312 X .062 NYLON	1
2	96HAR33	1/8" X 3/8" SS RIVET	RIVET 1/8" X 3/8" SS	1
3	96BRM06	SWITCH PROTECTOR	PROTECTEUR INTERRUPTEUR	1
4	96HAR56	SCREW 10-32 X 3/8" PAN PH SS	VIS 10-32 X 3/8" PAN PH SS	4
5	96HAR19	TOOTH LOCKWASHER #10 (INTERNAL)	RONDELLE DE RETENUE #10 (INTERNE)	4
6	96ASS03	SPRING LOCK S-A (BREWER BRACKET)	S-A LOQUET A RESSORT	1
7	96HAR01	SCREW 4-40 X 5/8" PAN PH SS	VIS 4-40 X 5/8" PAN PH SS	2
8	96HAR04	TOOTH LOCKWASHER #4 (INTERNAL)	RONDELLE DE RETENUE #4 (INTERNE)	2
9	06ASS03	CAM SWITCH ASSY WITH 2 WIRES	S-A INTERRUPTEUR COUPLEUR A 2 FILS	1
10	96ASS22	BREWER MOTOR S-A	S-A MOTEUR INFUSEUR	1

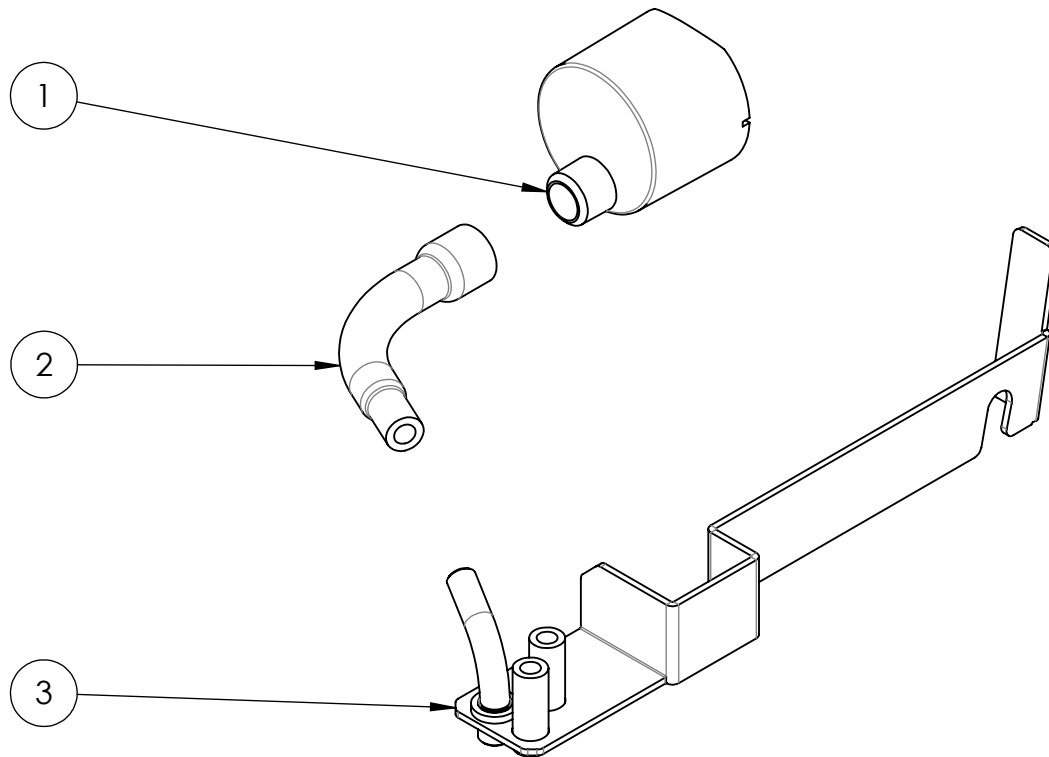
**PEASS20**  
BREWER BRACKET S-A  
S-A SUPPORT INFUSEUR

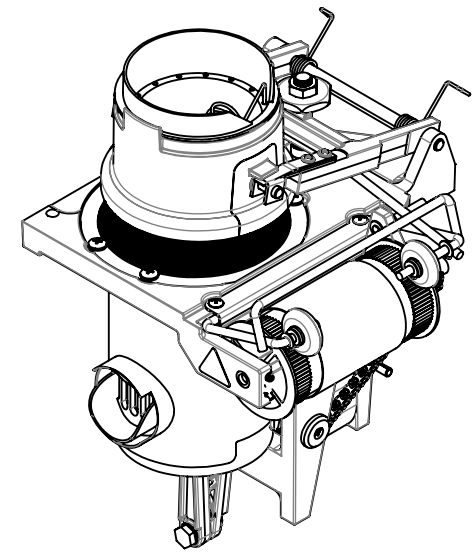
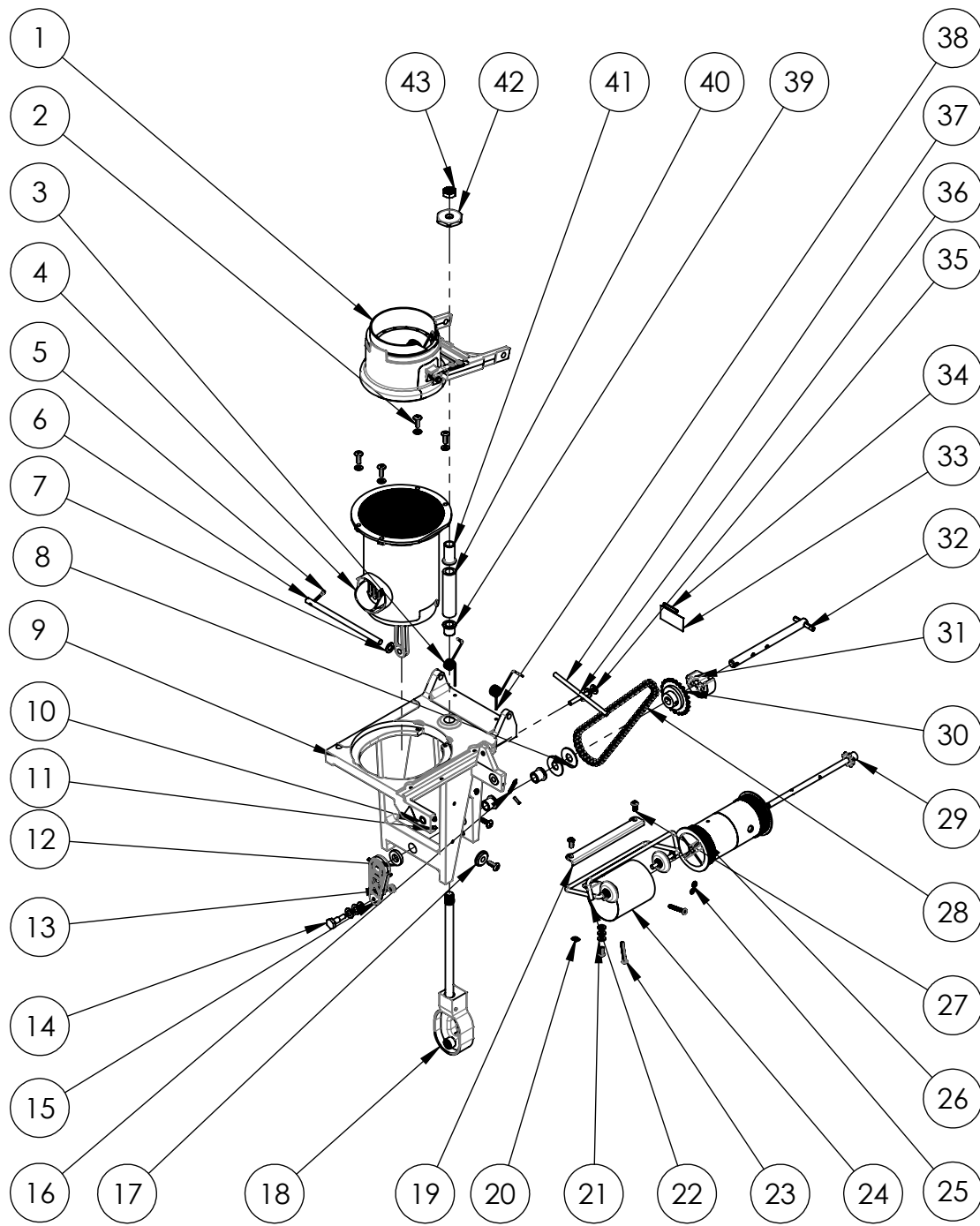




# Item	# Pièce	ENGLISH DESCRIPTION	DESCRIPTION FRANÇAISE	QTY/QTE
1	04BRE78	INJECTED SPOUT	BEC VERSEUR INJECTE	1
2	19TAN01	2 NOZZLES HOSE FOR TL-EG-EL HOSE	TUYAU DOUBLE EMBOUT SUPP TUYAUX TL-EG-EL	1
3	13ASS08	WELDED PE-TL HOSES SUPPORT	ASSEMBLAGE SUPPORT TUYAUX PE-TL SOUDE	1

**13ASS09**  
PE-TL HOSES SUPPORT ASSY  
S-A SUPPORT TUYAUX PE-TL





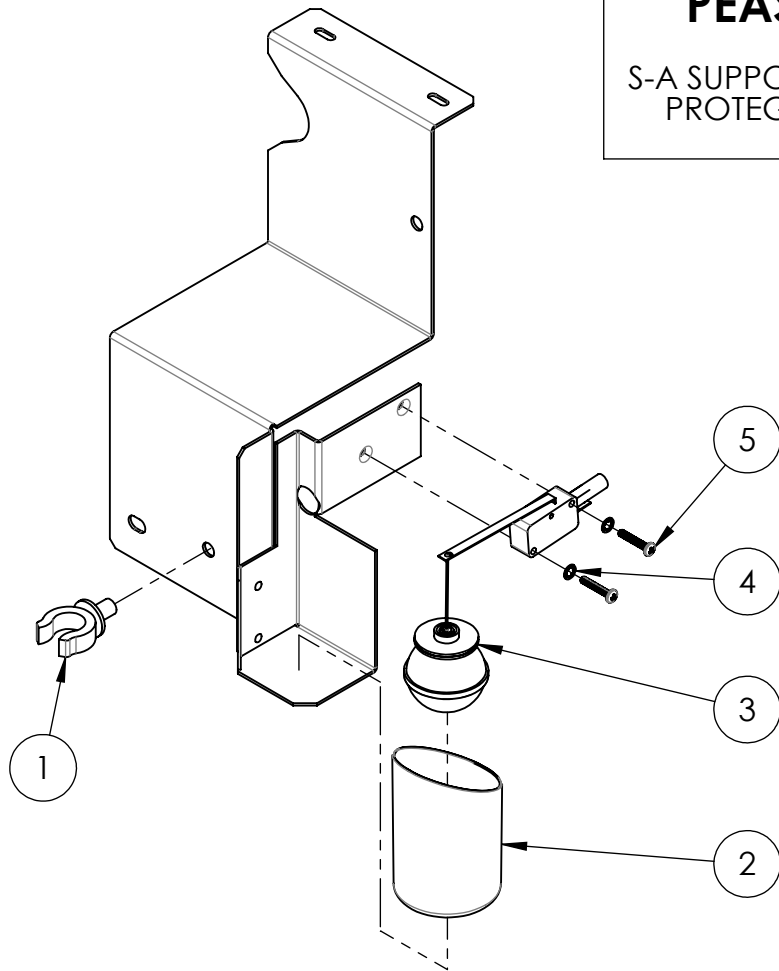
**99CAB22R**  
 PLATINUM BREWER ASSY  
 ASSEMBLAGE INFUSEUR PLATINUM

**99CAB22R**

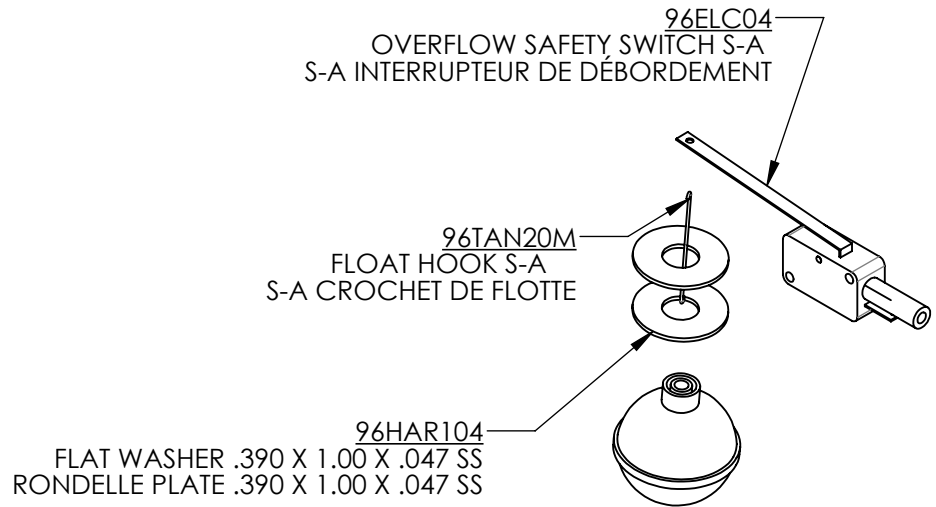
# ITEM	# PIECE	ENGLISH DESCRIPTION	DESCRIPTION FRANÇAISE	QTY/QTE
1	12ASS02	PLATINUM BREWER "H" FRAME ASSY	S-A CHASSIS EN "H" PLATINUM	1
2	96HAR49	SCREW 8-32 X 1/2" TRUSS PH SS	VIS 8-32 X 1/2" TRUSS PHIL SS	6
3	98BRE67	LEFT SIDE LIFT SPRING	RESSORT A LEVIER GAUCHE	1
4	06SAS101	PISTON & CYLINDER S-A	S-A PISTON ET CYLINDRE 9 OZ	1
5	96HAR116	COTTER PIN 3/32 X 1/2" SS	GOUPILLE FENDUE 3/32 X 1/2" SS	1
6	98BRE69	H-FRAME SHAFT	ARBRE DU CHASSIS EN "H"	1
7	96HAR125	FLAT WASHER .265 X .500 X .030 SS	RONDELLE PLATE .265 X .500 X .030 SS	3
8	96HAR104	FLAT WASHER .390 X 1.00 X .047 SS	RONDELLE PLATE .390 X 1.00 X .047 SS	2
9	12BRE02	PLATINUM BREWER MAIN FRAME	CHASSIS PRINCIPAL	1
10	96HAR117	MAIN FRAME SMALL BUSHING	PETIT PALIER DU CHASSIS (BUSHING)	2
11	96HAR113	SPRING PIN 3/32 X 5/8	RESSORT EN TIGE 3/32" X 5/8"	2
12	10BRE01	UHMW FLAT WASHER .380 X .750 X .130	RONDELLE PLATE .380 X .750 X .130 UHMW	1
13	96HAR102	HEX 10-24 LOCKNUT NYLON INSERT & SS	DEMI ECROU 10-24 AUTOBLOQUANT SS & NYLON	1
14	10BRE02	SHOULDER SCREW	VIS A EPAULE	1
15	98SAS103-I	CRANK ARM S-A INJECTED	S-A BIELLE INJECTE	1
16	98BRE05	EXTENSION SPRING (GOLD - PLATINUM & VKI)	RESSORT D'EXTENSION (GOLD - PLATINUM & VKI)	2
17	96HAR164	SHOULDER WASHER (# 121C)	RONDELLE D'EPAULEMENT (# 121C)	1
18	SBSAS1135	CAM HOUSING ASSY	S-A BOITIER DE LA CAME	1
19	99BRE06R	PLATINUM YOKE RETAINING PLATE	PLAQUE DE RETENUE, ETRIER PLATINUM	1
20	06HAR116	SPRING WASHER #6 SS	RONDELLE A RESSORT #6 SS	3
21	96HAR124	FLAT WASHER #8 .170 X .375 X .032 SS	RONDELLE PLATE .170 X .375 X .032 SS #8	7
22	06SAS134	YOKE S-A (PLATINUM)	S-A ETRIER (PLATINUM)	1
23	03HAR05	SCREW 6-32 X 1" PAN PH SS	VIS 6-32 X 1" PAN PH SS	2
24	98BRE76	TAPE DRUM GUIDE BAND	GUIDE TAMBOUR PAPIER FILTRE	1
25	96HAR10	TOOTH LOCKWASHER #6 (INTERNAL)	RONDELLE DE RETENUE #6 (INTERNE)	2
26	99SAS175	DRUM ASSY	S-A TAMBOUR	1
27	96HAR101	SCREW 8-32 X 3/8" ROUND PH SS	VIS 8-32 X 3/8" ROUND PH SS	3
28	SBBRE009	CHAIN 68 PITCHES CONNECTING LINK INCLUDE	CHAINE 68 MAILLES CONNECTEUR INCLUS	1
29	SBSAS0104-I	INJECTED DRUMS SHAFT ASSY	S-A ARBRE TAMBOURS INJECTES	1
30	SBSAS0100	CLUTCH SPROCKET S-A	S-A EMBRAYAGE DE LA CAME	1
31	SBBRE030	CAM	CAME	1
32	98SAS108	MAIN SHAFT S-A	S-A ARBRE PRINCIPAL	1
33	16FUR08	ETIQUETTE POLY BLANC 1,5" X .75" VOID	ETIQUETTE POLY BLANC 1,5" X .75" VOID	1
34	96HAR103	SPRING PIN 1/8 X 7/8 SS	RESSORT EN TIGE 1/8" X 7/8" SS	1
35	96HAR108	FLAT WASHER .203 X .437 X .032 SS	RONDELLE PLATE .203 X .437 X .032 SS	3
36	96HAR100	RETAINING RING 3/16 (ZINC)	BAGUE DE RETENUE 3/16 ("C" CLIP) (ZINC)	1
37	99BRE74R	PLATINUM LIFT BAR	BRAS DE LEVIER PLATINUM	1
38	98BRE68	RIGHT SIDE LIFT SPRING	RESSORT A LEVIER DROIT	1
39	96HAR105	LARGE BUSHING	GRAND PALIER DU CHASSIS (BUSHING)	3
40	18BRE01	BREWER SLEEVE 0,625" X 2,450"	MANCHON POUR INFUSEUR 0,625" X 2,450"	1
41	15HAR06	BUSHING (LONG)	PALIER LONG	1
42	14BRE01	HEX NUT 3/8"-24 X 1 1/8" X 3/16" SS	ÉCROU INFUSEUR MACHINÉ	1
43	96BRE56	NUT 3/8"-24 X 7/32" THICK SS	ECROU 3/8"-24 X 7/32 EPAIS SS	1
44	19LAB18	INJURY WARNING LABEL	DECALQUE ATTENTION RISQUE DE BLESSURE	1

# Item	# Pièce	ENGLISH DESCRIPTION	DESCRIPTION FRANÇAISE	QTY/QTE
1	96HAR27	DECKCLIP	CROCHET SUPPORT TUYAU	1
2	96TAN19	OVERFLOW CUP	GOBELET DEBORDEMENT	1
3	96ASS17	OVERFLOW FLOAT S-A	S-A FLOTTE DEBORDEMENT	1
4	96HAR04	TOOTH LOCKWASHER #4 (INTERNAL)	RONDELLE DE RETENUE #4 (INTERNE)	2
5	96HAR01	SCREW 4-40 X 5/8" PAN PH SS	VIS 4-40 X 5/8" PAN PH SS	2

**PEASS46-2**  
S-A SUPPORT DEBORD.-  
PROTEGE MOTEUR



**96ASS17**



06CAB03  
TANK SUPPORT  
GARDE DU RÉSERVOIR

PEASS16-X

PEASS07

11ACC01

120-240V ELECTRONIC THERMOSTAT BOARD  
THERMOSTAT ELECTRONIQUE 120-240V

01TAN04

DOUBLE SOLENOID WATER INLET VALVE  
VALVE D'ENTRÉE D'EAU SOLENOÏDE DOUBLE

96HAR26

NYLON HOSE CLAMP 2323 (WHITE)  
COLLET DE SERRAGE (HO 10)

13HAR02

STAINLESS HOSE CLAMP 3/8"  
COLLET A TUYAU 3/8" SS

PEASS45-2

12ELC13

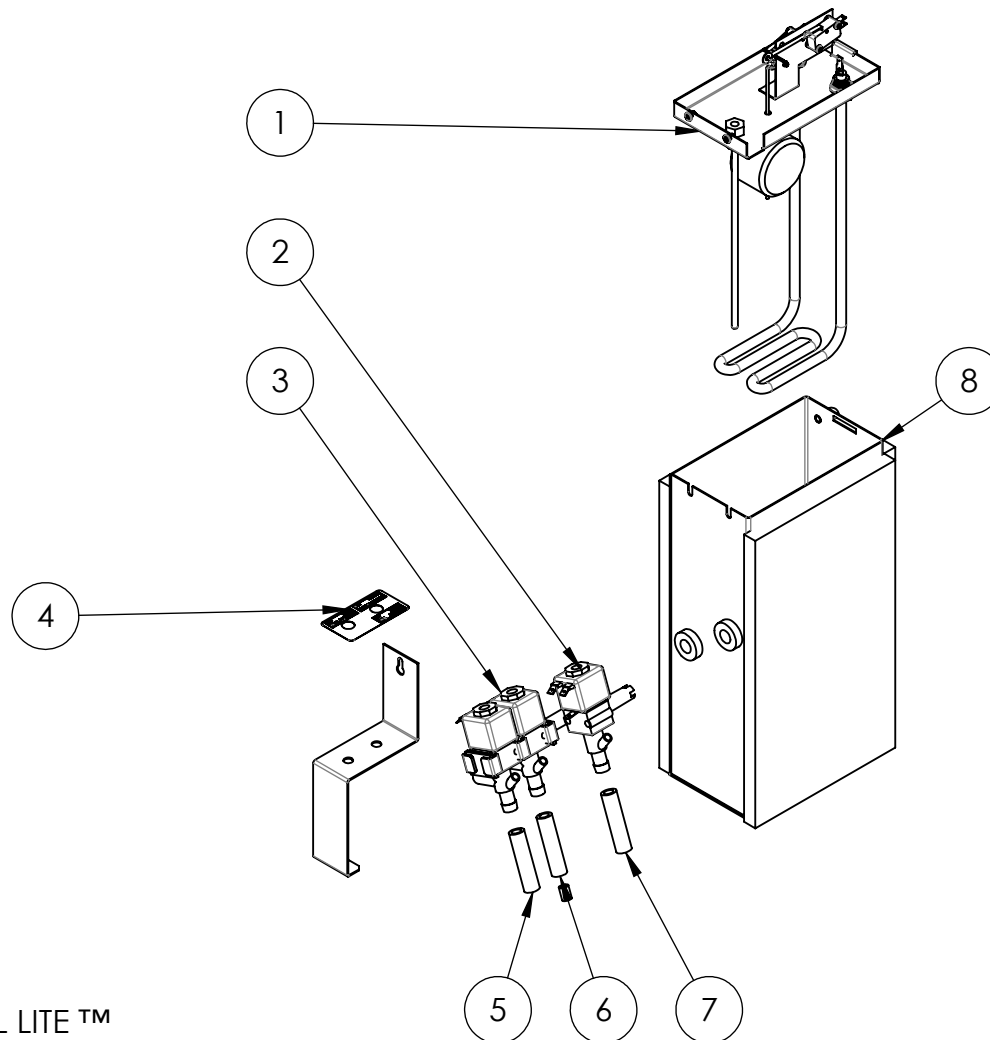
CAPACITOR 30  $\mu$ F  
CAPACITEUR 30 UF

12ASS05

12V POWER SUPPLY ASSY  
S-A BLOC ALIMENT. 12V

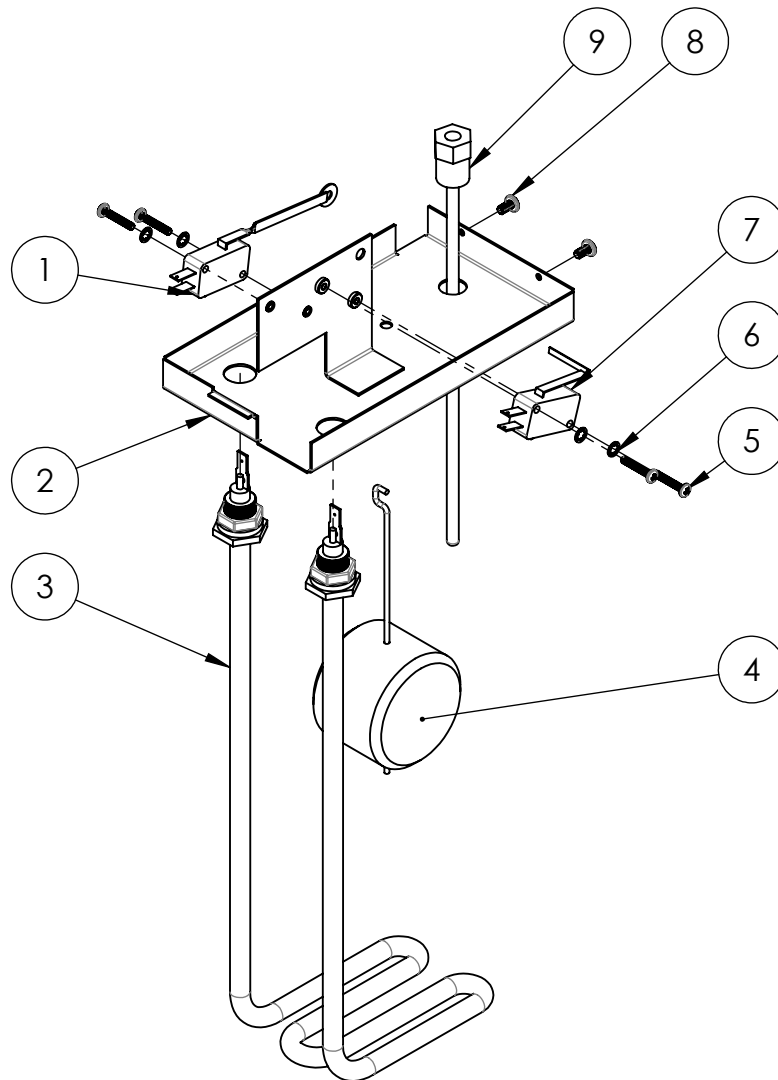
**BACK VIEW**  
**VUE ARRIÈRE**

# Item	# Pièce	ENGLISH DESCRIPTION	DESCRIPTION FRANÇAISE	QTY/QTE
1	09ASS18	WATER TANK LID ASSY (PROBE)	S-A COUV. RESERVOIR COURT(SONDE)	1
2	PETAN07A	SINGLE OUTLET VALVE	VALVE DE SORTIE SIMPLE	1
3	PETAN07B-ADJ	ADJUSTED DOUBLE OUTLET VALVE	VALVE DE SORTIE DOUBLE AJUSTÉE	1
4	15LAB15	PE-TL OUTLET VALVES IDENTIFIER LABEL	DECALQUE IDENTIFICATION VALVES PE-TL	1
5	PETAN28	HOSE 28" (711MM)	S-A TUYAU 28" (711MM)	1
6	PETAN11	WATER INLET CHOCO/VAN HOSE 12 1/2(318MM)	S-A TUYAU ENTREE CHO/VAN 12 1/2"(318MM)	1
7	PETAN37	SMALL BROWN HOSE COFFEE 15" (381MM)	S-A TUYAU CAFE (BRUN-PETIT) 15" (381MM)	1
8	07ASS08	3 SIDES ISOLATED TANK ASSY	S-A RESERVOIR ISOLE 3 FACES	1
9	PECHO08	SOLUBLE'S RESTRICTION.194 X .312 X .437	RESTRICTION SOLUBLE .194 X .312 X .437	1



**PEASS16-X**  
 PE-TL WATER TANK ASSY  
 S-A RESERVOIR EAU PE-TL

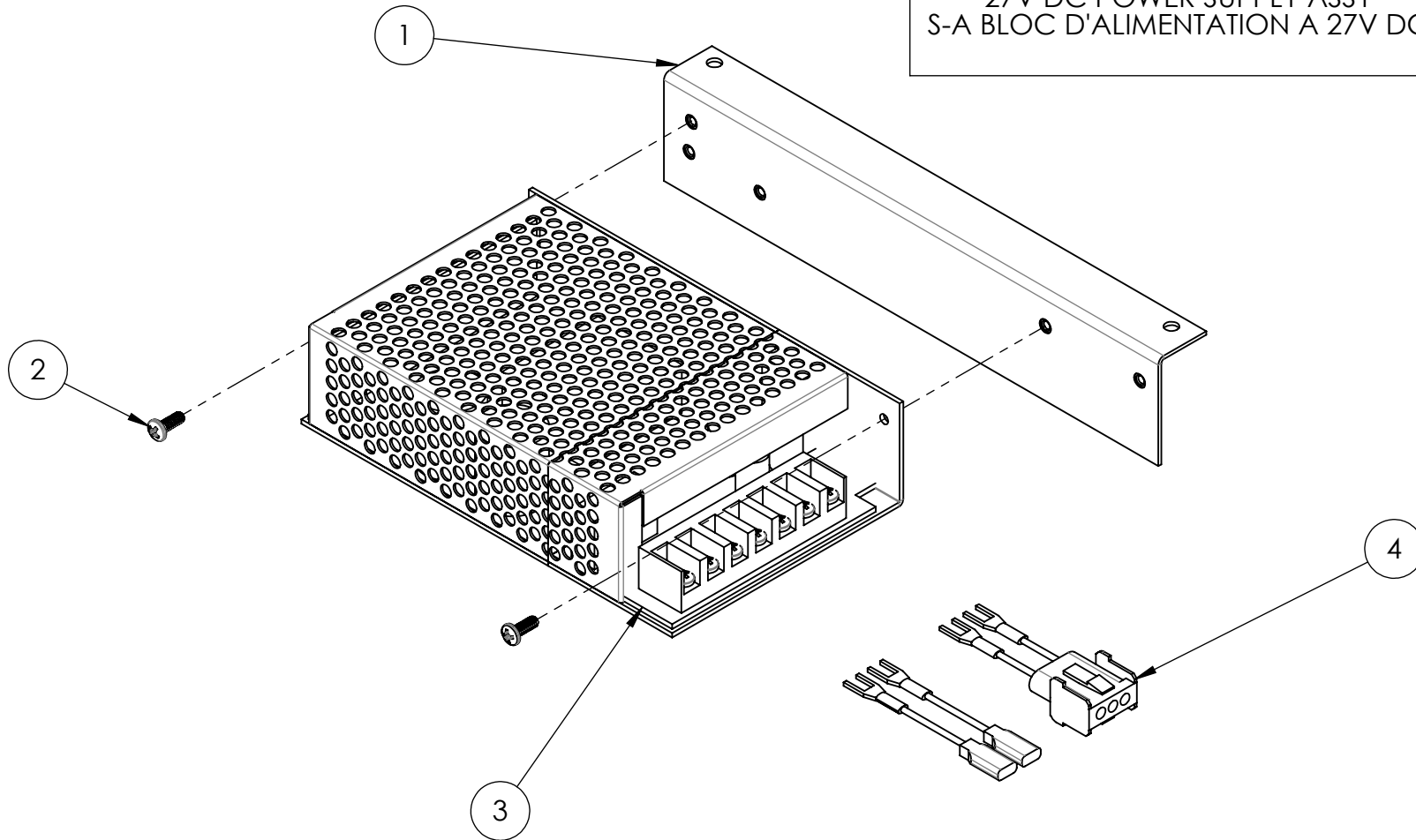
# Item	# Pièce	ENGLISH DESCRIPTION	DESCRIPTION FRANÇAISE	QTY/QTE
1	96ASS09	WATER LEVEL SWITCH S-A	S-A INTERRUPTEUR DE NIVEAU D'EAU	1
2	09TAN02	SHORT HOT WATER TANK LID (PROBE)	COUVERCLE RESERVOIR COURT (SONDE)	1
3	PETAN03	ELEMENT 1250W SHORT	ELEMENT COURT 1250W	1
4	96ASS15	HOT WATER TANK FLOAT S-A	S-A FLOTTE RESERVOIR A EAU	1
5	96HAR01	SCREW 4-40 X 5/8" PAN PH SS	VIS 4-40 X 5/8" PAN PH SS	4
6	96HAR04	TOOTH LOCKWASHER #4 (INTERNAL)	RONDELLE DE RETENUE #4 (INTERNE)	4
7	96ELC06	HEATER SAFETY SWITCH S-A	S-A INTERRUPTEUR CONTROLE DE CHALEUR	1
8	SBHAR51	SCREW 6-32 X 1/4" PAN PHIL SS	VIS 6-32 X 1/4" PAN PHIL SS	2
9	13ELC01	PROBE AND CONNECTOR 15"	SONDE ET CONNECTEUR 15"	1



**09ASS18**  
 WATER TANK LID ASSY (PROBE)  
 S-A COUV. RESERVOIR COURT (SONDE)

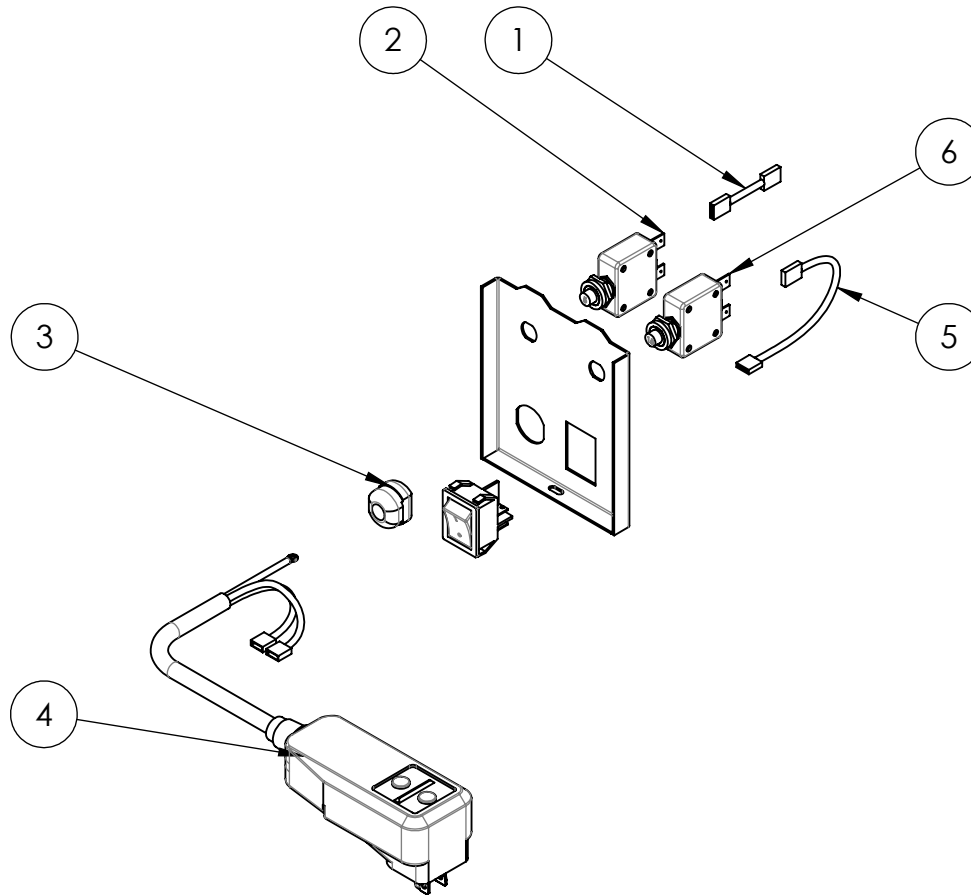
# ITEM	# PIECE	ENGLISH DESCRIPTION	DESCRIPTION FRANCAISE	QTY/QTE
1	PECAB53	POWER SUPPLY BRACKET	SUPPORT BLOC D'ALIMENTATION	1
2	PEHAR15	SCREW 6-32 X 3/8" PAN PH ZN THREAD ROLLI	VIS 6-32 X 3/8" PAN PH ZN THREAD ROLLI	2
3	21ELC12	24V POWER SUPPLY	BLOC ALIMENTATION 24V	1
4	08ELC04	POWER SUPPLY EXTENSION	RALLONGE DU BLOC D'ALIMENTATION	1

**PEASS07**  
27V DC POWER SUPPLY ASSY  
S-A BLOC D'ALIMENTATION A 27V DC





# Item	# Pièce	ENGLISH DESCRIPTION	DESCRIPTION FRANÇAISE	QTY/QTE
1	03ELC23-B	31 WIRE 14GA BLACK 4"	FIL #31 NOIR 14 GA 4"	1
2	96ELC14	BREAKER 5 AMP	DISJONCTEUR 5 AMP	1
3	03HAR32	STRAIN RELIEF BUSHING (BLACK) FOR POWER	BAGUE ANTI-TRACTION POUR POW (NOIRE)	1
4	15ELC02	POWER CABLE WITH TOWER GFCI ASSY	S-A CABLE ALIMENTATION GFCI TOWER	1
5	03ELC23-A	30 WIRE 14GA BLACK 4"	FIL #30 NOIR 14 GA 4"	1
6	96ELC13	BREAKER 15 AMP	DISJONCTEUR 15 AMP	1



**PEASS45-2**  
 GFCI REV 2 ELECTRIC PANNEL ASSY  
 S-A PANNEAU ELECTRIQUE GFCI REV 2