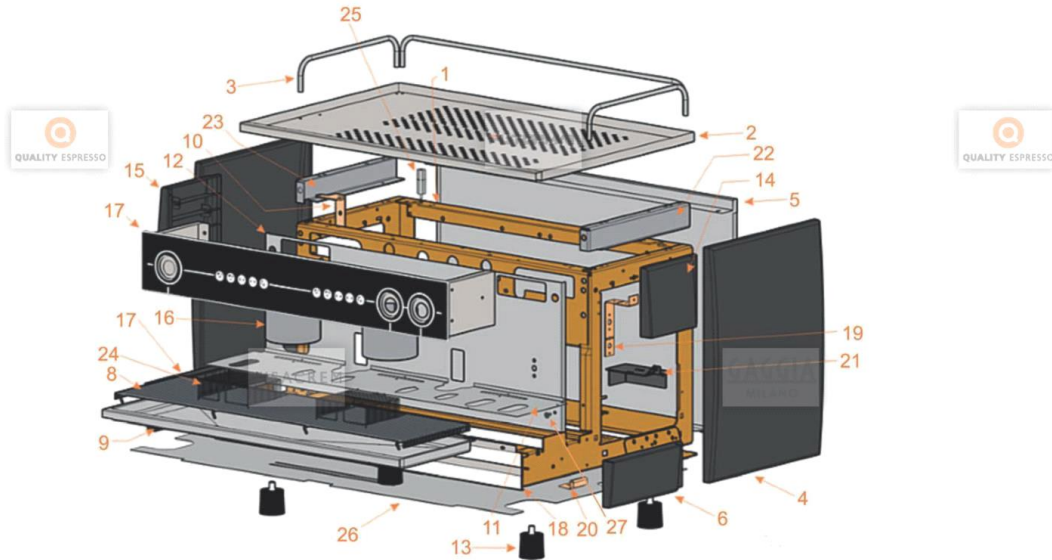


Pos.	DENOMINACIÓN	DESCRIPTION	2GR	3GR
1	Chasis	Chassis	08900100	08300200
2	Bandeja Apoyatazas	Cup Tray	08675100	08675200
2	Bandeja Apoyatazas UL	Cup Tray UL	08675120	08675220
3	Cjto Barandillas	Rail Assy	NT0022	NT0023
4	Cjto Lateral Negro	Black Lateral Assy	08563200	
4	Cjto Lateral Blanco	White Lateral Assy	08675000	
5	Plancha Trasera Inox "Gaggia"	"Gaggia" Inox Rear Plate	08745600	08745700
5	Plancha Trasera Inox "Visacrem"	"Visacrem" Inox Rear Plate	08746000	08746100
6	Lateral Inferior Derecho Negro	Black Right Lower Lateral	08673510	
6	Lateral Inferior Derecho Blanco	White Right Lower Lateral	08673500	
7	Lateral Inferior Izquierdo Negro	Black Left Lower Lateral	08673410	
7	Lateral Inferior Izquierdo Blanco	White Left Lower Lateral	08673400	
8	Rejilla Sobrebandeja	Tray Cover Grill	08327800	08327900
9	Bandeja Desagüe	Draining Tray	08674600	08674700
10	Soporte Manómetro	Pressure Gauge Support	08339600	
11	Protector de Grupos	Groups Protector	08652500	08652600
11	Cubregrupos ETL	ETL Group Cover	08872600	08872700
12	Panel	Panel	08674400	08674500
13	Cjto Pie Apoyo	Machine Foot Assy	07468002	
14	Lateral Superior Derecho Negro	Black Right Upper Lateral	08673710	
14	Lateral Superior Derecho Blanco	White Right Upper Lateral	08673700	
15	Lateral Sup Izquierdo Negro	Black Left Upper Lateral	08673610	
15	Lateral Sup Izquierdo Blanco	White Left Upper Lateral	08673600	
16	Cubregrupos	Groups Cover	08427100	
17	Panel Frontal	Front Panel Assy	08848200	
18	Cjto Faja	Lower Front Panel Assy	Tav. 02 / Tab. 02	
19	Soporte Termostato	Thermostat Support	08196510	
20	Tope Inferior	Lower Stopper	08213902	
21	Tapa Interruptor	Main Switch Cover	08310300	
22	Tapa Inferior Chasis	Chassis Lower Cover	08856500	08809200
22	Tapa Inferior Chasis ETL	ETL Chassis Lower Cover	08874500	08874600
23	Remache de plástico	Plastic Rivet	08324900	

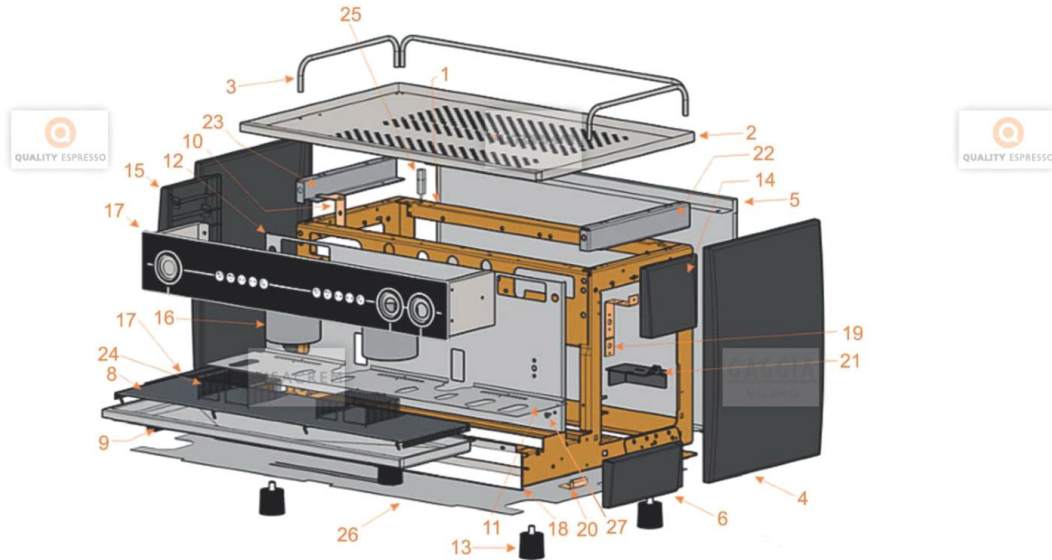
Pos.	Item	Repl. by	Description	Notes	Price (USD)
0001	08300200		P/CHASSIS 3GR		
0001	08900100				
0002	08675200	08896500	CUP TRAY 3 GR. VETRO		
0002	08896400				
0003	NT0022		RAIL KIT (*ATM)		
0003	NT0023		CUP RAILS FOR 3G		
0004	08563200		BLACK LATERAL		
0004	08675000		RH SIDE PANEL - WHITE - VETRO		
0005	08745600		REAR STAINLESS PANEL GAGGIA VETRO 2GR		
0005	08745700		REAR PANEL-3 GRP-WHITE-GAGGIA		
0005	08746000		REAR STAINLESS PANEL VISACREMVETRO 2GR		
0005	08746100				
0006	08673500		RIGHT LOWER LATERAL.VETRO WHITE		
0006	08673510		LOWER PANEL - RIGHT - VETRO		
0007	08673400		LEFT LOWER LATERAL.VETRO WHITE		
0007	08673410		LEFT LOWER LATERAL.VETRO BLACK		
0008	08327800		DRAIN TRAY COVER ASSEMBLY.F3/G6/VETRO 2 GR.		
0008	08327900		DRAIN TRAY COVER ASSEMBLY.F3/G6/VETRO 3 GR.		
0009	08674600		DRAINAGE TRAY 2 GR.VETRO		
0009	08674700		DRAINAGE TRAY 3 GR.VETRO		
0010	08339600		PRESSURE GAUGE SUPPORT.F3/G6		
0011	08652500		* GROUP COVER ASSEMBLY 2G. LIGHTED OTTIMA		
0011	08652600		* GROUP COVER ASSEMBLY 3G OTTIMA/VETRO LIGHTED		
0011	08872600				
0011	08872700				
0012	08674400		PANEL VETRO 2 GR.		
0013	07468002		FOOT - RUBY		
0014	08673700		RIGHT UPPER LATERAL.VETRO WHITE		
0014	08673710		RIGHT UPPER LATERAL.VETRO BLACK		
0015	08673600		LEFT UPPER LATERAL.VETRO WHITE		
0015	08673610		LEFT UPPER LATERAL.VETRO BLACK		
0016	08427100		GROUP HEAD COVER		
0019	08196510		THERMOSTAT SUPPORT ASSEMBLY Zn		
0020	08213902		LOWER STOP		
0021	08310300		GENERAL SWITCH COVER		
0022	08809200				
0022	08856500				
0022	08874500				
0022	08874600				
0023	08324900		PLASTIC RIVER		



Pos.	DENOMINACIÓN	DESCRIPTION	2GR	3GR
1	Chasis	Chassis	08460700	08460800
2	Bandeja Apoyatazas	Cup Tray	08675100	08675200
2	Bandeja Apoyatazas UL	Cup Tray UL	08675120	08675220
3	Cjto Barandillas	Rail Assy	NT0022	NT0023
4	Cjto Lateral Negro	Black Lateral Assy		08713901
4	Cjto Lateral Blanco	White Lateral Assy		08713900
5	Plancha Trasera Inox "Gaggia"	"Gaggia" Inox Rear Plate	08751800	08751900
5	Plancha Trasera Inox "Visacrem"	"Visacrem" Inox Rear Plate	08752000	08752100
6	Lateral Inferior Derecho Negro	Black Right Lower Lateral		08673510
6	Lateral Inferior Derecho Blanco	White Right Lower Lateral		08673500
7	Lateral Inferior Izquierdo Negro	Black Left Lower Lateral		08673410
7	Lateral Inferior Izquierdo Blanco	White Left Lower Lateral		08673400
8	Rejilla Sobrebandeja	Tray Cover Grill	08327800	08327900
9	Bandeja Desagüe	Draining Tray	08674600	08674700
10	Soporte Manómetro	Pressure Gauge Support		08339600
11	Protector de Grupos (Alta Grupo Bajo)	Groups Protector (Tall w/Low Gr. Heads)	08717200	08717300
11	Protector de Grupos	Group Head Protector	08652500	08652600



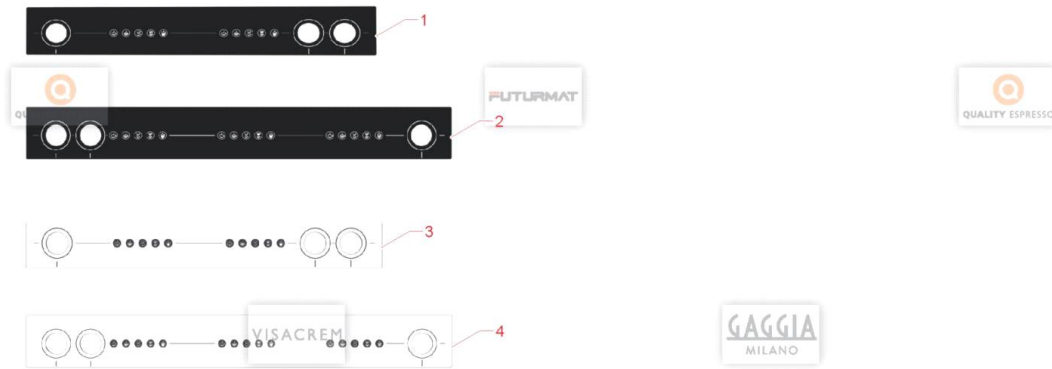
Pos.	Item	Repl. by	Description	Notes	Price (USD)
0001	08460700		TALL CHASSIS		
0001	08460800				
0002	08675100	08896400	CUP TRAY 2 GR. VETRO		
0002	08675200	08896500	CUP TRAY 3 GR. VETRO		
0003	NT0022		RAIL KIT (*ATM)		
0003	NT0023		CUP RAILS FOR 3G		
0004	08713900		WHITE LATERAL		
0004	08713901		BLACK LATERAL		
0005	08751800		2G-REAR PANEL-STAINLESS-VETRO		
0005	08751900		"GAGGIA" STAINLESS STEEL REARPANEL		
0005	08752000				
0005	08752100				
0006	08673500		RIGHT LOWER LATERAL.VETRO WHITE		
0006	08673510		LOWER PANEL - RIGHT - VETRO		
0007	08673400		LEFT LOWER LATERAL.VETRO WHITE		
0007	08673410		LEFT LOWER LATERAL.VETRO BLACK		
0008	08327800		DRAIN TRAY COVER ASSEMBLY.F3/G6/VETRO 2 GR.		
0008	08327900		DRAIN TRAY COVER ASSEMBLY.F3/G6/VETRO 3 GR.		
0009	08674600		DRAINAGE TRAY 2 GR.VETRO		
0009	08674700		DRAINAGE TRAY 3 GR.VETRO		
0010	08339600		PRESSURE GAUGE SUPPORT.F3/G6		
0011	08652500		*GROUP COVER ASSEMBLY 2G. LIGHTED OTTIMA		
0011	08652600		*GROUP COVER ASSEMBLY 3G OTTIMA/VETRO LIGHTED		
0011	08717200		*GROUP COVER ASSEMBLY VETRO 2G		
0011	08717300				



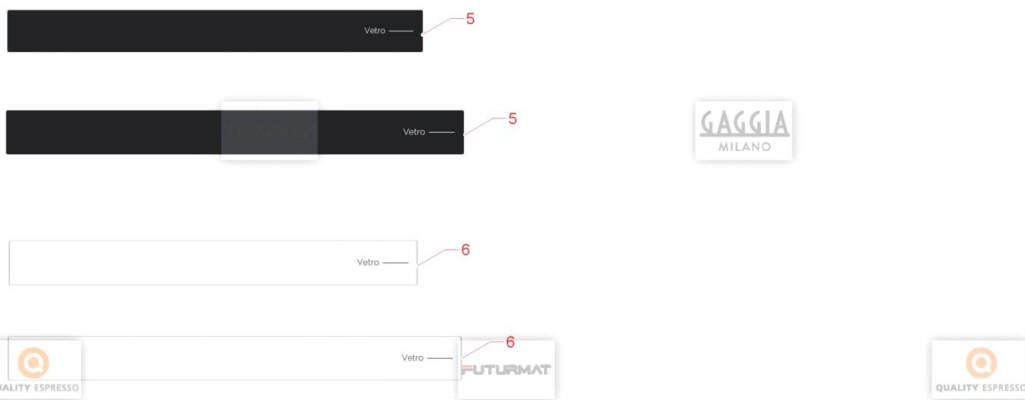
Pos.	DENOMINACIÓN	DESCRIPTION	2GR	3GR
12	Panel (Máquina Alta Grupo Bajo)	Panel (Tall w/ Low Group Heads)	08717600	08717700
12	Panel	Panel	08717800	08717900
13	Cjto Pie Apoyo	Machine Foot Assy	07468002	
14	Lateral Superior Derecho Negro	Black Right Upper Lateral	08673710	
14	Lateral Superior Derecho Blanco	White Right Upper Lateral	08673700	
15	Lateral Sup Izquierdo Negro	Black Left Upper Lateral	08673610	
15	Lateral Sup Izquierdo Blanco	White Left Upper Lateral	08673600	
16	Cubregrupos (Alta Grupo Bajo)	Groups Cover (Tall w/ Group Heads)	08427150	
16	Cubregrupos	Groups Cover	08427100	
17	Panel Frontal	Front Panel Assy	Tav. 2 / Tab. 2	
18	Cjto Faja	Lower Front Panel Assy		
19	Soporte Termostato	Thermostat Support	08196510	
20	Tope Inferior	Lower Stopper	08213902	
21	Tapa interruptor	Main Switch Cover	08310300	
22	Suplemento Derecho Chasis	Chassis Right Supplement	08431310	
23	Suplemento Izquierdo Chasis	Chassis Left Supplement	08431210	
24	Suplemento Vasos	Cup Supplement	08439600	
25	Distancia Carrocería Posterior	Back Machine Bodywork Spacer	08502100	
26	Tapa Inferior (*SM)	Chassis Lower Cover (*ATM)	08606600	08606700
27	Remache de plástico	Plastic Rivet	08324900	



Pos.	Item	Repl. by	Description	Notes	Price (USD)
0012	08717600		PANEL 2 GR-VETRO XL HIGH		
0012	08717700		PANEL 3 GR-VETRO XL HIGH		
0012	08717800		PANEL 2 GR-VETRO XL LOW		
0012	08717900		PANEL 3 GR-VETRO XL LOW		
0013	07468002		FOOT - RUBY		
0014	08673700		RIGHT UPPER LATERAL.VETRO WHITE		
0014	08673710		RIGHT UPPER LATERAL.VETRO BLACK		
0015	08673600		LEFT UPPER LATERAL.VETRO WHITE		
0015	08673610		LEFT UPPER LATERAL.VETRO BLACK		
0016	08427100		GROUP HEAD COVER		
0016	08427150		GROUP COVER VETRO XL		
0019	08196510		THERMOSTAT SUPPORT ASSEMBLY Zn		
0020	08213902		LOWER STOP		
0021	08310300		GENERAL SWITCH COVER		
0022	08431310		RIGHT CHASSIS SUPPLEMENT (TALLMACHINES)		
0023	08431210		LEFT CHASSIS SUPPLEMENT (TALLMACHINES)		
0024	08439600		TALL GLASS SUPPLEMENT		
0025	08502100				
0026	08606600		CHASSIS LOWER COVER		
0026	08606700				
0027	08324900		PLASTIC RIVER		



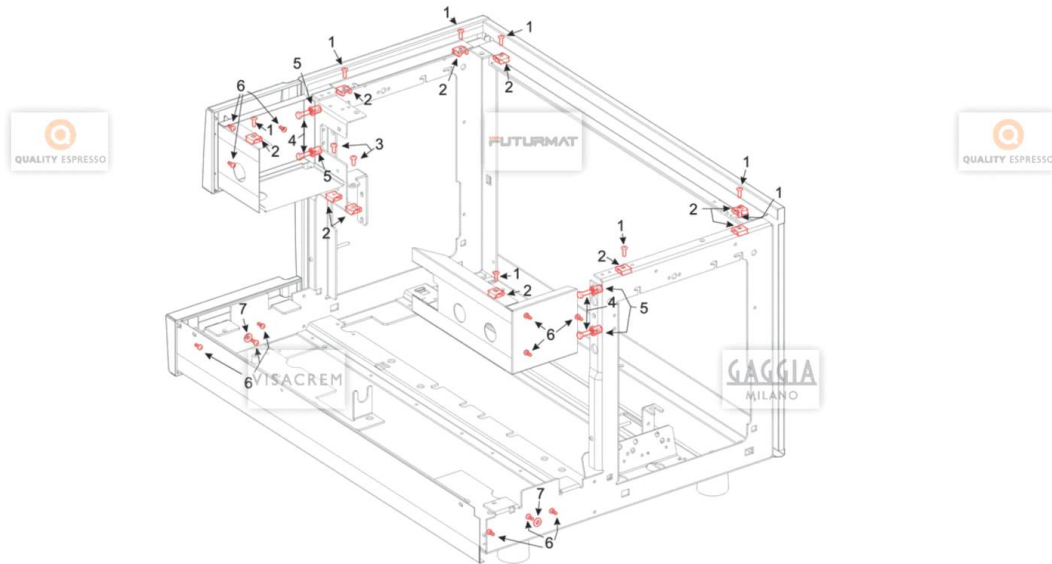
Pos.	DENOMINACIÓN	DESCRIPTION	REF.
1	Conjunto de Panel Frontal "Gaggia"	"Gaggia" Front Control Panel Assy	08762200
1	Conjunto de Panel Frontal "Visacrem"	"Visacrem" Front Control Panel Assy	08762600
2	Conjunto de Panel Frontal "Gaggia"	"Gaggia" Front Control Panel Assy	08762300
2	Conjunto de Panel Frontal "Visacrem"	"Visacrem" Front Control Panel Assy	08762700
3	Conjunto de Panel Frontal "Gaggia"	"Gaggia" Front Control Panel Assy	08762000
3	Conjunto de Panel Frontal "Visacrem"	"Visacrem" Front Control Panel Assy	08762400
4	Conjunto de Panel Frontal "Gaggia"	"Gaggia" Front Control Panel Assy	08762100
4	Conjunto de Panel Frontal "Visacrem"	"Visacrem" Front Control Panel Assy	08762500



Pos.	DENOMINACIÓN	DESCRIPTION	2GR	3GR
5	Conjunto de Faja Negro	Lower Front Panel Assy Black	08763000	08763100
6	Conjunto de Faja Blanco	Lower Front Panel Assy White	08762800	08762900



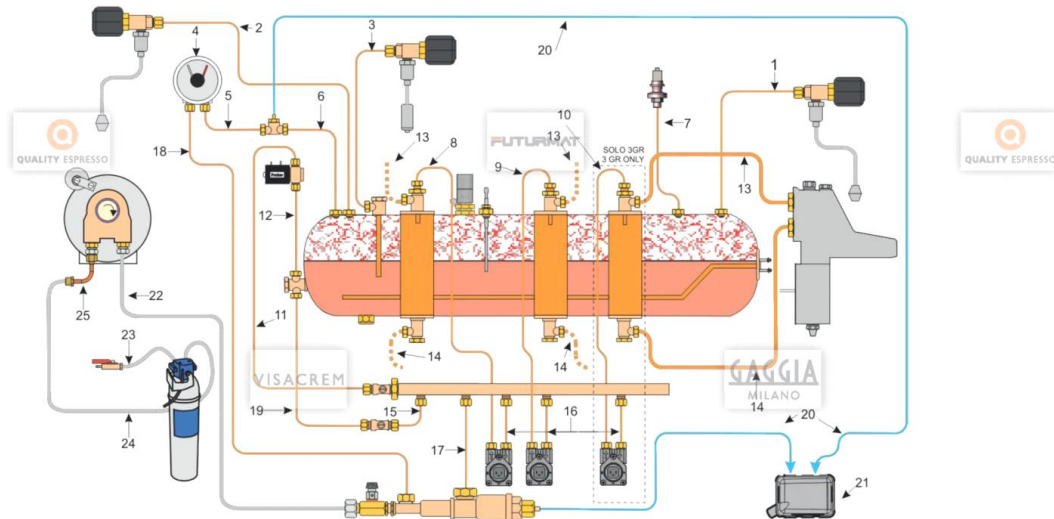
Pos.	Item	Repl. by	Description	Notes	Price (USD)
0001	08762200		FRONT GLASS-GAGGIA-BLK-VETRO		
0001	08762600		* PANEL ASSEMBLY VETRO 2G BLACKVISACREM (SAT)		
0002	08762300		PANEL ASSEMBLY VETRO 3G BLACKGAGGIA (SAT)		
0002	08762700		* PANEL ASSEMBLY VETRO 3G BLACKVISACREM (SAT)		
0003	08762000		PANEL ASSEMBLY VETRO 2G WHITEGAGGIA (SAT)		
0003	08762400		* PANEL ASSEMBLY VETRO 2G WHITEVISACREM (SAT)		
0004	08762100		FRONT PANEL-3 GRP-WHITE-GAGGIA		
0004	08762500		PANEL ASSEMBLY VETRO 3G WHITEVISACREM (SAT)		
0005	08763000		LOWER PANEL ASSEMBLY 2GR.BLACK		
0005	08763100		* LOWER PANEL ASSEMBLY 3G BLACK(SAT)		
0006	08762800		LOWER PANEL ASSEMBLY VETRO.2GWHITE (SAT)		
0006	08762900		* LOWER PANEL ASSEMBLY 3G WHITE(SAT)		



Pos.	DENOMINACIÓN	DESCRIPTION	REF.
1	Tornillo Cabeza Plana M4	Plain Headed M4 Screw	04596601
2	Tuerca rápida	Nut	05118400
3	Tornillo Allen M4 DIN 7985	Allen M4 DIN 7985 Screw	04591202
4	Tornillo M5x15 DIN 933	M5x15 DIN 933 Screw	04522405
5	Tuerca Enjaulada	Nut	0551/030136
6	Tornillo Autorroscante Plástico	Plastic Screw	04592700
7	Arandela DIN 9021	DIN 9021 Washer	07410319

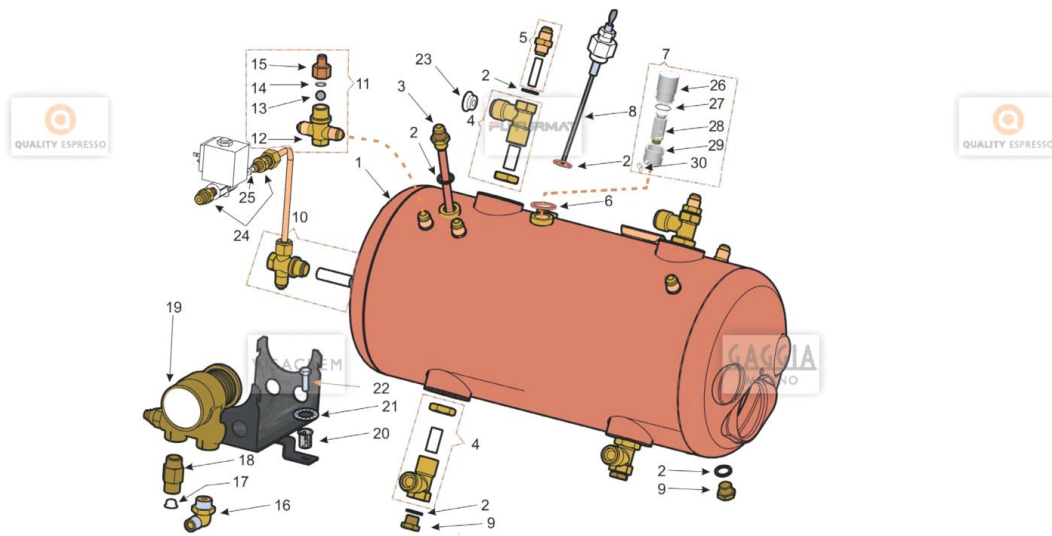


Pos.	Item	Repl. by	Description	Notes	Price (USD)
0001	04596601		M4X12 SCREW		
0002	05118400		NUT		
0003	04591202		4X10 DIN 7985 SCREW		
0004	04522405		M5 SCREW		
0005	0551/030136		JAILED NUT		
0006	04592700		SCREW AUTO. PLASTIC 3.6X10 CL81Z FE/ZN		
0007	07410319		WASHER 4.3x12x1 D9021 Fe/ Zn		



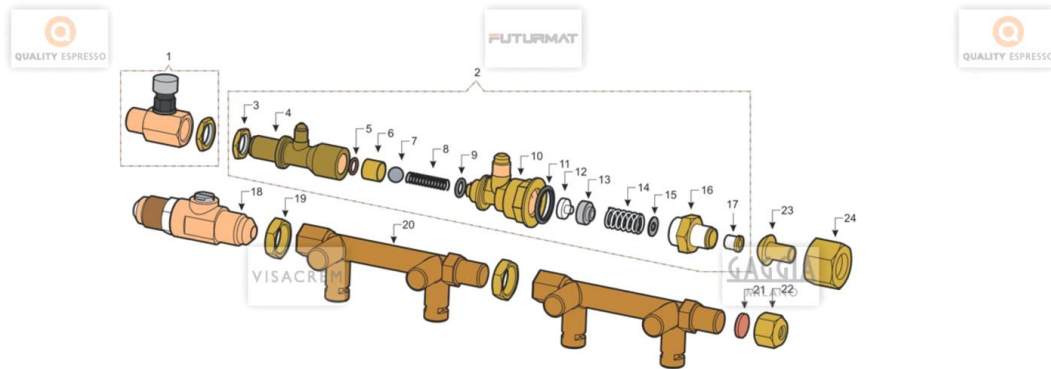
Pos.	DENOMINACIÓN	DESCRIPTION	2GR	3GR
1	Tubo Vapor Derecho	Right Steam Tube	08362400	
1	Tubo Vapor Derecho (Máq Alta)	Right Steam Tube (Tall Machines)	08497500	
2	Tubo Vapor Izquierdo	Left Steam Tube	08362700	
2	Tubo Vapor Izquierdo (Máq Alta)	Left Steam Tube (Tall Machines)	08497400	
3	Tubo Salida Agua	Water Outlet Tube	08486400	08362600
3	Tubo Salida Agua (Máq Alta)	Water Outlet Tube (Tall Machines)	08497600	08718000
4	Manómetro	Pressure Gauge	08584500	
5	Tubo Válvula a Manómetro	Comp. Valve to P. Gauge Tube	08384800	
6	Tubo Caldera a Válvula Comp.	Boiler to Comp. Valve Tube	08384700	
7	Tubo Caldera a Presostato	Boiler to Pressure Switch Tube	08538000	
8	Tubo Contador a TT (1.º Grupo)	Flowmeter to HE (1st G) Tube	08308200	
9	Tubo Contador a TT (2.º Grupo)	Flowmeter to HE (2nd G) Tube	08308300	
10	Tubo Contador a TT (3.º Grupo)	Flowmeter to HE (3rd G) Tube	X	08308400
11	Tubo Red a Electroválvula	Main Water to Fill Sol. Tube	08309600	
12	Tubo Electrov a Racord Caldera	Solenoid Val. to Boiler Fitting Tube	08309700	
13	Tubo Entrada Grupo	Group Inlet Tube	08511200	
13	Tubo Entrada (1er y 2o Gr) Alta	1st & 2nd Group Inlet Tube (Tall)	08463500	
13	Tubo Entrada (3r Grupo) Alta	3rd Group Inlet Tube (Tall)	X	08463600
14	Tubo Retorno Grupo	Group Outlet Tube	08511300	
14	Tubo Retorno Grupo (Máq Alta)	Group Outlet Tube (Tall M.)	08463700	
15	Tubo Colector a Válvula Entrada	Collector to Entrance Valve	08309800	
16	Tubo Colector a Contador Vol.	Collector to Flowmeter Tube	08347600	
17	Tubo Válvulas a Colector	Valves to Collector Tube	08343900	
18	Tubo Válvulas a Manómetro	Valves to Pressure Gauge Tube	08116510	
19	Tubo Válvula Entrada a R. Caldera	Inlet Valve to Boiler Fitting Tube	08442200	
20	Tubo Silicona Válvulas a Cubeta	Silicone Valve to Drain Tube	67613609063	
21	Cubeta Desagüe	Drain cup	08478700	
22	Tubo Bomba a Colector (L=220mm)	Pump to Collector Tube (L=220mm)	08341600	
23	Tubo Entrada Agua Red	Water Inlet Tube	0571/050108	
24	Tubo Entrada Bomba	Pump Inlet Tube	0551/050112	
25	Tubo Codo 3/8" M - 3/8" H G Ni UL	Nickel Plated UL Elbow Tube 3/8" M - 3/8" F	08712800	

Pos.	Item	Repl. by	Description	Notes	Price (USD)
0001	08497500		RIGHT STEAM TAP TUBE (TALL MACHINES)		
0001	08538000		BOILER TO PRESSURE SWITCH TUBE		
0002	08362700		LEFT STEAM TAP TUBE		
0002	08497400		LEFT STEAM TAP TUBE (TALL MACHINES)		
0003	08362600				
0003	08486400		RIGHT HOT WATER TAP TUBE		
0003	08497600		HOT WATER TAP TUBE (TALL MACHINES)		
0004	08584500		PRESSURE GAUGE GAGGIA VETRO		
0005	08384800		COMPENSATION VALVE TO PRESSURE GAUGE TUBE		
0006	08384700		BOILER TO COMPENSATION VALVE TUBE		
0007	08538000		BOILER TO PRESSURE SWITCH TUBE		
0008	08308200		FLOWMETER TO HEAT EXCHANGER (1ST GROUP) TUBE		
0009	08308300		FLOWMETER TO HEAT EXCHANGER (2ND GROUP) TUBE		
0010	08308400		TUBE FROM FLOWMETER TO HEAT EXCHANGER 3 GROUP		
0011	08309600		COLLECTOR TO ELECTRONIC LEVEL SOLENOID VALVE TUBE		
0012	08309700		ELECTRONIC LEVEL TO BOILER FITTING TUBE		
0013	08463500		INLET WATER GROUP HEAD TUBE (TALL MACHINES)		
0013	08463600		RIGHT GROUP INLET TUBE XL		
0013	08511200		FLARED GROUP INLET TUBE.		
0014	08463700		OUTLET WATER GROUP HEAD TUBE (TALL MACHINES)		
0014	08511300		FLARED GROUP RETURN TUBE		
0015	08309800		COLLECTOR TO INLET WATER TAP TUBE		
0016	08347600		H. MANIFOLD TO FLOWMETER TUBE		
0017	08343900		VALVES ASSY TO COLLECTOR TUBE		
0018	08116510		PUMP TO PRESSURE GAUGE TUBE		
0019	08442200		INLET WATER TAP TO BOILER FITTING TUBE		
0020	67613609063		6X9 SILICONE TUBE		
0021	08478700		DRAIN CUP		
0022	08341600		OUTLET PUMP TUBE		
0023	0571/050108		WATER INLET TUBE		
0024	0551/050112		INLET PUMP TUBE		
0025	08712800		ELBOW TUBE H3/8" G - M3/8" G NICKEL		



Pos.	DENOMINACIÓN	DESCRIPTION	2GR	3GR
1	Caldera Decapada	Boiler	08700100	08700200
2	Arandela de Cobre 13,5x17,5x1,5	13,5x17,5x1,5 Copper Washer		01626804
3	Cjto Entrada Agua	Water Inlet Assy		07695604
4	Cjto Racord Tubo Térmico	Heat Exchanger Fitting Assy		08660200
5	Cjto Inyector Tubo Térmico	Heat Exchanger Injector Assy		08355000
6	Arandela de Cobre 17x22x1,5	17x22x1,5 Copper Washer		07412208
7	Cjto Válv. de Seguridad y protección	Pressure Relief Valve and Protection Assy		08807500
8	Cjto Sonda	Water Level Probe Assy		0441/090816
9	Tapón 1/4"G	1/4" Plug		00225805
10	Cjto Racord 3 Vías	3-Way Fitting Assy		08355300
11	Cjto Válvula Compensación	Pressure Valve Assy		08514600
12	Cuerpo Válvula Compensación	Pressure Valve Main Body		08381000
13	Esfera Ø8	Ø8 Sphere		01720507
14	Junta Tórica	O-Ring		08179103
15	Tapón Válvula Compensación	Pressure Valve Plug		08179004
16	Racord Entrada Bomba	Water Pump Inlet Fitting		08004418
17	Filtro Ø13	Ø13 Filter		08297900
18	Racord Bomba 3/8"	Pump 3/8" Fitting		0371/110103
19	Cuerpo Bomba Agua	Water Pump Main Body		07822109
19	Cuerpo Bomba Agua Procon	Procon Water Pump Main Body		07822109-S
20	Tuerca Enjaulada	Nut		0551/030136
21	Arandela DIN 9021	DIN 9021 Washer		07410319
22	Tornillo M5x15 DIN 933	M5x15 DIN 933 Screw		04522405
23	Inyector Tubo Térmico Ø4,5	Ø4,5 Heat Exchanger Injector		08426700
23	Inyector Tubo Térmico Ø2,5	Ø2,5 Heat Exchanger Injector		08426720
23	Inyector Tubo Térmico Ø2	Ø2 Heat Exchanger Injector		08426710
24	Racord 1/8x1/4"	1/8x1/4" Fitting		07466501
25	Reductor Entrada Agua	Inlet Water Pressure Reducer		08391200
26	Tapa Válvula de Seguridad	Pressure Relief Cover		08741700
27	Junta Tórica 27,5 x 1,5	27.5 x 1.5 O-Ring		04406200
28	Válvula de Seguridad	Pressure Relief Valve		08074701
29	Cazoleta Válvula de Seguridad	Pressure Valve Relief Bowl		08741800
30	Abrazadera de Alambre	Metallic Wire Clip		08633010

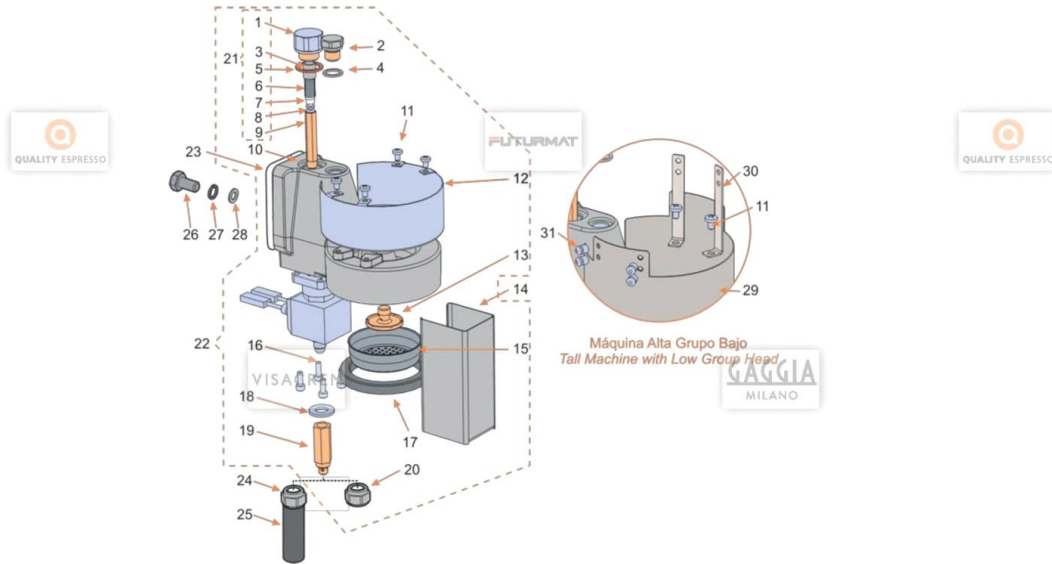
Pos.	Item	Repl. by	Description	Notes	Price (USD)
0001	08700100		BOILER		
0001	08700200		STRIPPED BOILER 3GR SN		
0002	01626804		13,5X17,5X1,5 COPPER WASHER		
0003	07695604		OUTLET WATER ASSY		
0004	08660200		HEATER FITTING ASSY - RUBY		
0005	08355000		INJECTOR FITTING		
0006	07412208		COPPER WASHER-BOILER-RUBY		
0007	08807500		1,65BAR PRES. RELIEF - RUBY		
0008	0441/090816		WATER LEVEL PROBE ASSY - RUBY		
0010	08355300		3-WAY FITTING ASSY		
0011	08514600		EQUALISING VALVE ASSEMBLY "T"		
0012	08381000		COMPENSATION VALVE MAIN BODY		
0013	01720507		BALL - VALVE - VETRO		
0014	08179103		O RING - VALVE - VETRO		
0015	08179004		COMPENSATION VALVE PLUG		
0016	08004418		PUMP OUTLET FITTING		
0017	08297900		FILTER, PUMP INLET		
0018	0371/110103		FITTING		
0019	07822109		PUMP - VETRO/RUBY		
0019	07822109-S	07822109	PROCON WATER PUMP MAIN BODY		
0020	0551/030136		JAILED NUT		
0021	07410319		WASHER 4.3x12x1 D9021 Fe/Zn		
0022	04522405		M5 SCREW		
0023	08426700		HEAT EXCH. INJECTOR D4.5-RUBY		
0023	08426710		HEAT EXCHANGER INJECTOR D2		
0023	08426720		HEAT EXCHANGER INJECTOR FITTING D2.5		
0024	07466501		1/8X1/4" FITTING		
0025	08391200		INLET WATER PRESSURE REDUCER		
0026	08741700		PRESSURE RELIEF COVER		
0027	04406200		27.5x1.5 mm O-RING		
0028	08074701		PRESSURE RELIEF VALVE-LANERA		
0029	08741800		PRESSURE VALVE RELIEF BOWL		
0030	08633010		METALLIC WIRE CLIP		



Pos.	DENOMINACIÓN	DESCRIPTION	2GR	3GR
1	Kit Purgador (Opcional)	Purge Kit (Optional)	08447700	
2	Cjto Válvula Retención/Expansión	Check / Relief Valve Assy	07843808	
3	Tuerca 3/8" Gas	3/8" Nut	04531505	
4	Cuerpo Válvula Retención	Check Valve Main Body	07922701	
5	Junta Tórica	O-Ring	07851900	
6	Casquillo	Cap	07851801	
7	Esfera Ø11,11	Ø11,11 Sphere	01832005	
8	Muelle Válvula	Valve Spring	01720606	
9	Junta Tórica	O-Ring	07763204	
10	Cuerpo Válvula Expansión	Relief Valve Main Body	07851603	
11	Arandela Válvula Expansión	Relief Valve Washer	08506530	
12	Junta Cierre	Closing Gasket	01853704	
13	Casquillo	Cap	01853803	
14	Muelle	Spring	00109108	
15	Arandela 6,5x14,3x1	6,5x14,3x1 Washer	04711701	
16	Racord	Fitting	07468101	
17	Regulador Muelle	Spring Regulator	07468408	
18	Válvula 1/4"	1/4" Valve	08442100	
19	Tuerca 1/4" Gas	1/4" Nut	04530600	
20	Colector	Manifold	08283509	
21	Disco 10,2x1,5 Cobre	10,2x1,5 Washer Disc	07412703	
22	Tuerca 1/4" Abocardada Gas	1/4" Flared Nut	05051701	
23	Niple Especial	Nipple	08058901	
24	Tuerca Niple 3/8"	3/8" Nipple Nut	00011502	

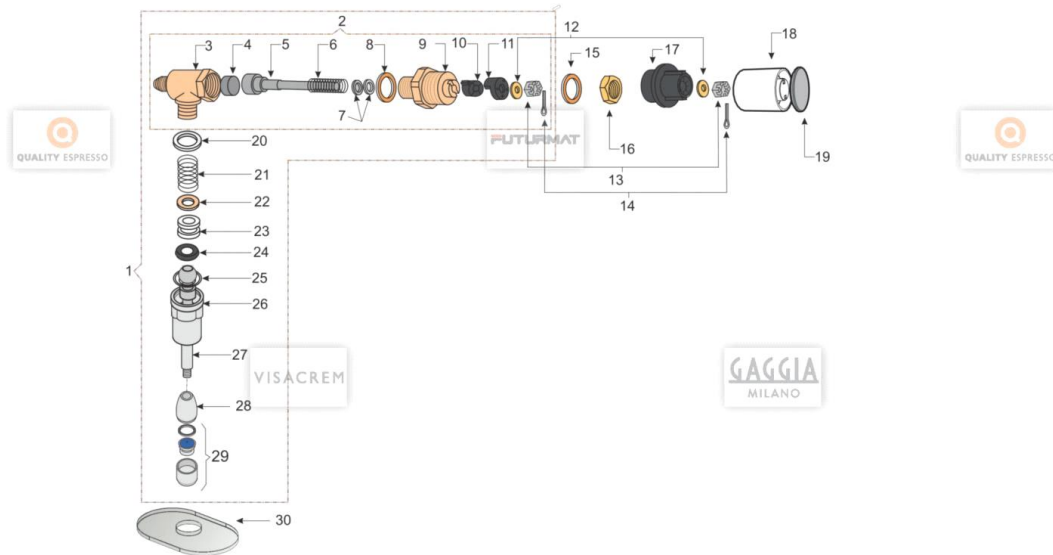


Pos.	Item	Repl. by	Description	Notes	Price (USD)
0001	08447700		PURGE KIT (OPTIONAL)		
0002	07843808		CHECK / RELIEF VALVE ASSY		
0003	04531505		3/8" NUT		
0004	07922701		CHECK VALVE MAIN BODY		
0005	07851900		O-RING		
0006	07851801		CAP		
0007	01832005		O11,11 SPHERE		
0008	01720606		VALVE SPRING		
0009	07763204		O-RING - STEAM/WATER ARM		
0010	07851603		RELIEF VALVE MAIN BODY		
0011	08506530		RELIEF VALVE WASHER		
0012	01853704		CLOSING GASKET		
0013	01853803		CAP		
0015	04711701		6,5X14,3X1 WASHER		
0016	07468101		FITTING		
0017	07468408		SPRING REGULATOR		
0018	08442100		1/4" VALVE		
0019	04530600		1/4" NUT		
0020	08283509		MANIFOLD		
0021	07412703		10,2X1,5 WASHER DISC		
0022	05051701		1/4" FLARED NUT		
0023	08058901		NIPPLE		
0024	00011502		3/8" NIPPLE NUT		



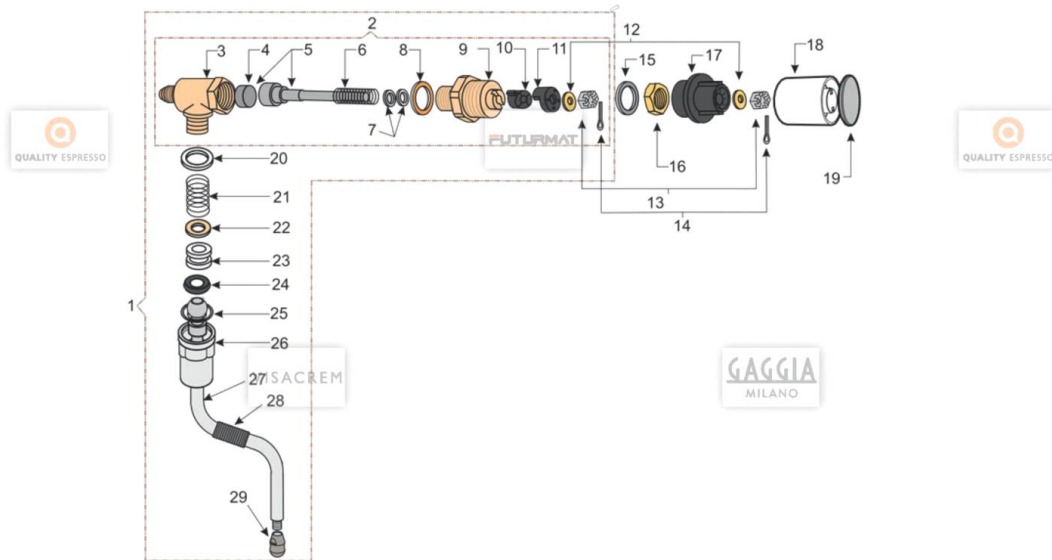
Pos.	DENOMINACIÓN	DESCRIPTION	2GR	3GR
1	Tapón Guía Muelle	Spring Guide Cap	07557200	
2	Tapón Grupo	Group Head Cap	02736403	
3	Tubo Teflón 8x10x12	8x10x12 Teflon Tube	08441100	
4	Arandela 12,1x15,8x1,5	12,1x15,8x1,5 Washer	07411507	
5	Arandela 17x22x1,5	17x22x1,5 Washer	07412208	
6	Filtro	Filter	08298700	
7	Inyector	Injector	08298800	
8	Junta Tórica	O-Ring	0371/040103	
9	Columna Inyector	Injector Column	08299000	
10	Cuerpo Grupo	Group Head Main Body	08427000	
10	Cuerpo Grupo Máquina Alta	Group Head Main Body (Tall Machine)	08427020	
11	Tornillo M4	M4 Screw	04591300	
12	Cubregrupos	Group Head Cover	08427100	
13	Rociador de Agua	Water Sprayer	02012904	
14	Tapa Electroválvula	Solenoid Valve Cover	08426600	
15	Ducha Grupo	Head Group Shower	02610004	
16	Tornillo M4 DIN 912	M4 DIN 912 Screw	05194402	
17	Junta Portafiltro 8 mm	8 mm Filter Holder Gasket	01652809	
18	Arandela 10,5x21x2	10,5x21x2 Washer	08395300	
19	Columna Descarga	Discharge Column	08426400	
20	Tuerca Tapa Electrovalvula	Solenoid Valve Cover Nut	08426500	
21	Kit Filtro Grupo	Head Group Filter Kit	NT0029	
22	Cjto Grupo	Head Group Assy	08426900	
22	Cjto Grupo Alta	Tall Machine Group Head Assy	08433300	
22	Cjto Grupo Alta UL	UL Tall Machine Group Head Assy	08433360	
22	Cjto Grupo Alta con Grupo Bajo	Tall Machine with Low Group Head Assy	08717100	
22	Cjto Grupo Alta con Grupo Bajo UL	UL Tall Machine w/Low Group Head Assy	08713000	
23	Junta Grupo	Group Gasket	08305200	
24	Tuerca Tapa Electroválvula (Alta)	Solenoid Valve Cover Nut (Tall M.)	08439700	
25	Tubo Descarga Grupo (Alta)	Discharge Column (Tall Machines)	08433410	
26	Tornillo M8x15	M8x15 Screw	04106217	
27	Arandela Grower DIN 7980	DIN 7980 Grower Washer	04316412	
28	Arandela DIN 125	DIN 125 Washer	04333613	
29	Cubregrupos (Máq. Alta con Gr. Bajo)	Group Head Cover (Tall M. w/ Low GH)	08427150	
30	Escuadra Cubregr. (Máq. Alta con Gr. Bajo)	Group Head Cover Square	08469710	
31	Remache 3,2x6	3,2x6 Rivet	08258709	

Pos.	Item	Repl. by	Description	Notes	Price (USD)
0001	07557200		SPRING GUIDE CAP		
0002	02736403		GROUP HEAD CAP		
0003	08441100		8X10X12 TEFLON TUBE		
0004	07411507		12,1X15,8X1,5 WASHER		
0005	07412208		COPPER WASHER-BOILER-RUBY		
0006	08298700		FILTER		
0007	08298800		INJECTOR		
0008	0371/040103		O-RING - RUBY/LA NERA		
0009	08299000		INJECTOR COLUMN		
0010	08427000		GROUP HEAD MAIN BODY		
0010	08427020		NICKEL PLATED GROUP HEAD BODY(*ATM)		
0011	04591300		M4 SCREW		
0012	08427100		GROUP HEAD COVER		
0013	02012904		WATER SPRAYER		
0014	08426600		SOLENOID VALVE COVER		
0015	02610004		GROUP HEAD SHOWER		
0016	05194402		M4 DIN 912 ALLEN SCREW		
0017	01652809		8 MM FILTER HOLDER GASKET		
0018	08395300		10,5X21X2 WASHER		
0019	08426400		DISCHARGE COLUMN		
0020	08426500		SOLENOID VALVE COVER NUT		
0021	NT0029	08915900	NOW USE 08915900		
0022	08426900		230 V HEAD GROUP ASSY		
0022	08433300		*COMPACT TALL GROUP ASSEMBLY 230		
0022	08433360				
0022	08713000				
0022	08717100				
0023	08305200		GROUP GASKET		
0024	08439700		SOLENOID VALVE COVER NUT (TALLMACHINES)		
0025	08433410		GROUP HEAD DRAIN TUBE (TALL MACHINES)		
0026	04106217		M8X15 SCREW		
0027	04316412		DIN 7980 GROWER WASHER		
0028	04333613		DIN 125 WASHER		
0029	08427150		GROUP COVER VETRO XL		
0030	08469710		GROUP COVER SQUARE.VETRO XL		
0031	08258709				



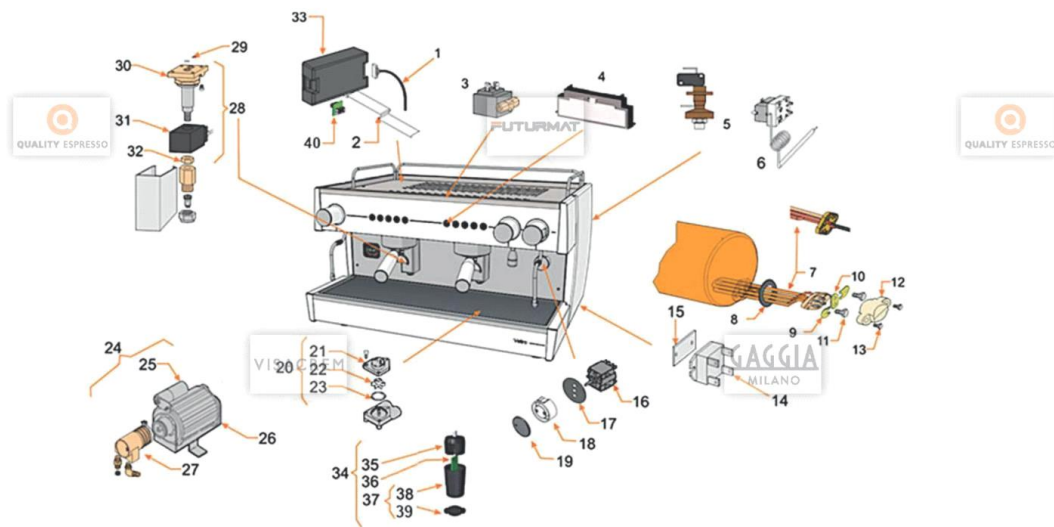
Pos.	DENOMINACIÓN	DESCRIPTION	2GR	3GR
1	Cjto Grifo Agua	Hot Water Tap Assy	08566100	
1	Cjto Grifo Agua (Máquina Alta)	Hot Water Tap Assy (Tall Machines)	08566120	
2	Cjto Grifo Común Agua Vapor	Hot Water & Steam Common Tap	08512000	
3	Cuerpo Grifo	Tap Body	08165003	
4	Taco Goma Cierre Grifo	Rubber Tap Closer Cue	11181302	
5	Cjto Eje Grifo	Tap Shaft Assy	08389200	
6	Muelle Eje Grifo	Tap Shaft Spring	08389900	
7	Junta Tórica	O-Ring	03070802	
8	Junta Metaloplástica	Metal-plastic Joint	02455103	
9	Racord Cuerpo Grifo	Tap Body Fitting	08389400	
10	Leva Fija	Fixed Pawl	08389500	
11	Leva Móvil	Mobile Pawl	08389600	
12	Arandela	Washer	04711701	
13	Tuerca M6	M6 Nut	08389800	
14	Pasador Inox	Inox Pin	09000277	
15	Arandela	Washer	07412610	
16	Tuerca 1/2" Gas	1/2" Gas Nut	0591/030109	
17	Casquillo Pomo	Handle Cap	08389710	
18	Pomo Grifo Blanco	White Tap Handle	08592310	
18	Pomo Grifo Negro	Black Tap Handle	08592320	
19	Tapa Pomo Grifo	Tap Handle Cover	08592350	
20	Arandela Teflón	Telfon Washer	05132808	
21	Muelle Rótula	Ball Joint Spring	08165300	
22	Arandela	Washer	08165508	
23	Tope de Rótula	Ball Joint Top	08397800	
24	Junta tórica	O-Ring	07763204	
25	Inserto Tuerca Rótula	Ball Joint Nut Insert	08479900	
26	Tuerca Rótula	Ball Joint Nut	08165130	
27	Rótula Salida Agua Caliente	Hot Water Outlet Joint	08333010	
27	Rótula Salida Agua Caliente Larga	Hot Water Outlet Long Joint	08304500	
28	Cuerpo Ducha	Shower Main Body	09415200	
29	Cjto Malla Salida Agua	Water Outlet Mesh Assy	09000325	
30	Tapa Embellecedor	Bezel Cover	08395600	

Pos.	Item	Repl. by	Description	Notes	Price (USD)
0001	08566100		HOT WATER TAP - VETRO		
0001	08566120		HOT WATER TAP ASSY (TALL MACHINES)		
0002	08512000		HOT WATER & STEAM COMMON TAP		
0003	08165003		TAP BODY - PERFETTA		
0004	11181302		SEAL - HOT WATER TAP - VETRO		
0005	08389200	08799900	TAP SHAFT ASSY		
0006	08389900		TAP SHAFT SPRING		
0007	03070802		O-RING - STEAM/WATER ARM		
0008	02455103		METAL-PLASTIC JOINT - S/W ARM		
0009	08389400		TAP BODY FITTING - LA NERA		
0010	08389500		FIXED PAWL		
0011	08389600		MOBILE PAWL		
0012	04711701		6,5X14,3X1 WASHER		
0013	08389800		M6 NUT		
0014	09000277		INOX PIN		
0015	07412610		WASHER 26.5x34x4 Fe		
0016	0591/030109		1/2" GAS NUT		
0017	08389710		HANDLE CAP		
0018	08592310		WHITE TAP HANDLE		
0018	08592320		BLACK TAP HANDLE		
0019	08592350		TAP HANDLE COVER		
0020	05132808		TELFON WASHER		
0021	08165300		BALL JOINT SPRING		
0022	08165508		WASHER - STEAM/WATER ARM		
0023	08397800		BALL JOINT TOP-STEAM/WATER ARM		
0024	07763204		O-RING - STEAM/WATER ARM		
0025	08479900		BALL JOINT NUT INSERT-S/W ARM		
0026	08165130		BALL JOINT NUT		
0027	08304500		BOILER FITTING 3V		
0027	08333010		SHORT WATER OUTLET HINGE M10		
0028	09415200		SHOWER MAIN BODY		
0029	09000325		WATER OUTLET MESH ASSY		



Pos.	DENOMINACIÓN	DESCRIPTION	2GR	3GR
1	Cjto Grifo Vapor	Steam Tap Assy	08566300	
1	Cjto Grifo Vapor (Máquina Alta)	Steam Tap Assy (Tall Machines)	08697100	
2	Cjto Grifo Común Agua Vapor	Hot Water & Steam Common Tap	08512000	
3	Cuerpo Grifo	Tap Body	08165003	
4	Taco Goma Cierre Grifo	Rubber Tap Closer Cue	11181302	
5	Cjto Eje Grifo	Tap Shaft Assy	08389200	
6	Muelle Eje Grifo	Tap Shaft Spring	08389900	
7	Junta Tórica	O-Ring	03070802	
8	Junta Metaloplástica	Metal-plastic Joint	02455103	
9	Racord Cuerpo Grifo	Tap Body Fitting	08389400	
10	Leva Fija	Fixed Pawl	08389500	
11	Leva Móvil	Mobile Pawl	08389600	
12	Arandela	Washer	04711701	
13	Tuerca M6	M6 Nut	08389800	
14	Pasador Inox	Inox Pin	09000277	
15	Arandela	Washer	07412610	
16	Tuerca 1/2" Gas	1/2" Gas Nut	0591/030109	
17	Casquillo Pomo	Handle Cap	08389710	
18	Pomo Grifo Blanco	White Tap Handle	08592310	
18	Pomo Grifo Negro	Black Tap Handle	08592320	
19	Tapa Pomo Grifo	Tap Handle Cover	08592350	
20	Arandela Teflón	Telfon Washer	05132808	
21	Muelle Rótula	Ball Joint Spring	08165300	
22	Arandela	Washer	08165508	
23	Tope de Rótula	Ball Joint Top	08397800	
24	Junta tórica	O-Ring	07763204	
25	Inserto Tuerca Rótula	Ball Joint Nut Insert	08479900	
26	Tuerca Rótula	Ball Joint Nut	08165130	
27	Tubo Salida Vapor L=63 mm	L=63 mm Steam Outlet Tube	08165722	
27	Tubo Salida Vapor L=120 mm	L= 120 mm Steam Outlet Tube	08654100	
27	Tubo Salida Vapor M10	M10 Steam Outlet Tube	08340300	
28	Protector Tubo Vapor	Steam Outlet Tube Protector	08339000	
28	Protector Tubo Vapor M10	M10 Steam Outlet Tube Protector	09000586	
29	Difusor Vapor	Steam Diffuser	08207400	
29	Difusor Vapor M10	M10 Steam Diffuser	08391900	

Pos.	Item	Repl. by	Description	Notes	Price (USD)
0001	08566300		PAWL STEAM TAP ASSEMBLY RIMINI		
0001	08697100		TAP SHAFT ASSY		
0002	08512000		HOT WATER & STEAM COMMON TAP		
0003	08165003		TAP BODY - PERFETTA		
0004	11181302		SEAL - HOT WATER TAP - VETRO		
0005	08389200	08799900	TAP SHAFT ASSY		
0006	08389900		TAP SHAFT SPRING		
0007	03070802		O-RING - STEAM/WATER ARM		
0008	02455103		METAL-PLASTIC JOINT - S/W ARM		
0009	08389400		TAP BODY FITTING - LA NERA		
0010	08389500		FIXED PAWL		
0011	08389600		MOBILE PAWL		
0012	04711701		6,5X14,3X1 WASHER		
0013	08389800		M6 NUT		
0014	09000277		INOX PIN		
0015	07412610		WASHER 26.5x34x4 Fe		
0016	0591/030109		1/2" GAS NUT		
0017	08389710		HANDLE CAP		
0018	08592310		WHITE TAP HANDLE		
0018	08592320		BLACK TAP HANDLE		
0019	08592350		TAP HANDLE COVER		
0020	05132808		TELFON WASHER		
0021	08165300		BALL JOINT SPRING		
0022	08165508		WASHER - STEAM/WATER ARM		
0023	08397800		BALL JOINT TOP-STEAM/WATER ARM		
0024	07763204		O-RING - STEAM/WATER ARM		
0025	08479900		BALL JOINT NUT INSERT-S/W ARM		
0026	08165130		BALL JOINT NUT		
0027	08165722		STEAM OUTLET TUBE		
0027	08340300		STEAM OUTLET TUBE F3/IT4		
0027	08654100		STEAM WAND		
0028	08339000		STEAM TUBE COVER - 8MM -R/LN		
0028	09000586	08339100	STEAM TUBE COVER - M10 - R/P/D		
0029	08207400		STEAM DIFFUSER		
0029	08391900		STEAM SHOWER HEAD ASSEMBLY M10/1.3		



Pos.	DENOMINACIÓN	DESCRIPTION	2GR	3GR
1	Cable General Electrónica	General Electronic Cable	08600400	
1	Cable General Electrónica (*SM)	General Electronics Cable (*ATM)	08765500 (3500 W)	08600410
1	Cable General Electrónica UL	General Electronics Cable UL	08765510 (3500 W)	08600420 (4800 W)
2	Cable Botonera	Push Button Cable	08583710	08583810
3	Cj. Electroválvula Nivel	Level Solenoid Valve Assy		08368900
3	Cj. Electroválvula Nivel UL	UL Level Solenoid Valve Assy		08368950
4	Botonera Táctil	Touch Button Assy		08580100
4	Muelle Botonera Táctil	Touch Button Spring		08580300
5	Presostato	Pressure Switch		08532200
6	Termostato	Thermostat	08324600	07476906
7	Resistencia 230 V	230 V Heater	08602700 (2800 W)	02212538 (3700 W)
7	Resistencia 230 V (*SM)	230 V Heater (*ATM)	08148002 (3500 W)	08335100 (4800 W)
8	Junta Resistencia	Heater Gasket		00165209
9	Arandela Fijación	Fixation Washer		08205502
10	Puente Resistencia (*SM)	Heater Terminal (*ATM)		01407212
11	Tornillo 3/8	3/8 Screw		04122115
12	Protector Resistencia	Heater Protector		0551/060121
13	Tornillo Autorroscante DIN7971	DIN 7971 Self-Tapping Screw	X	04821906
14	Relé Estático	Static Relay		08520900
15	Disipador de Calor	Heat Sink		08521000
16	Interruptor General	General Machine Switch		07847910
17	Etiqueta Interruptor General	General Switch Sticker		08283210
17	Etiqueta Interruptor General UL	General Switch Sticker UL		08283230
18	Pomo Interruptor Blanco	White Switch Handle		08592410
18	Pomo Interruptor Negro	Black Switch Handle		08592420
19	Tapa Pomo Interruptor	Switch Handle Cover		08592450

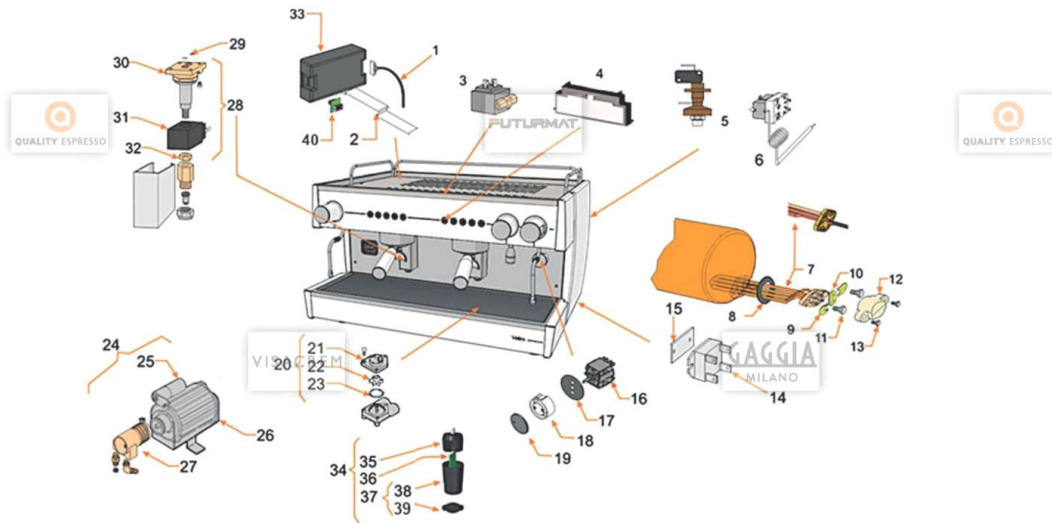
VISACREM

GAGGIA
MILANO

Pos.	Item	Repl. by	Description	Notes	Price (USD)
0001	08600400		GENERAL CABLE ELECTRONIC		
0012	0551/060121		HEATING ELEMENT PROTECTOR		



Vetro Electric Components

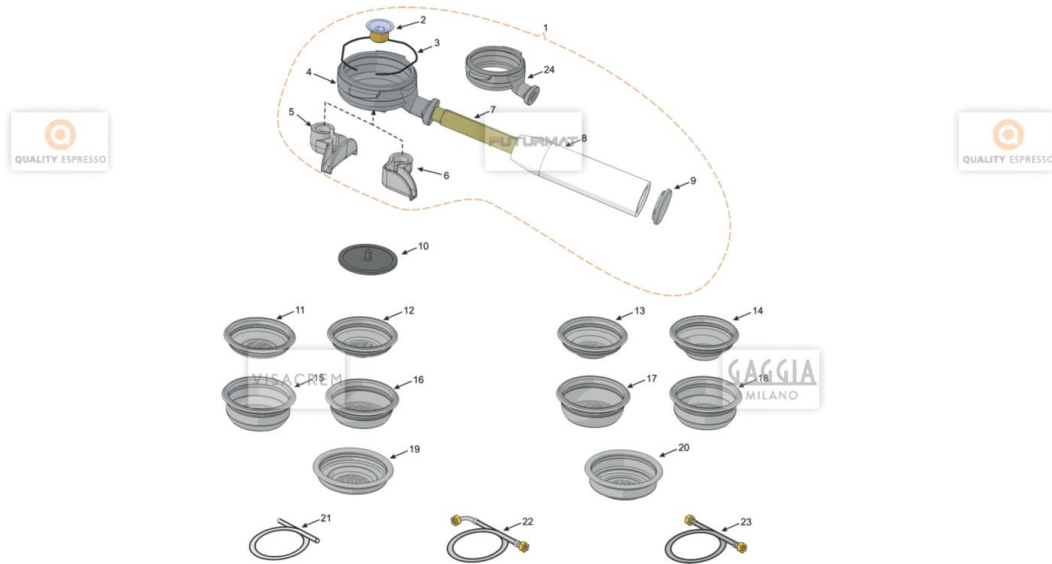


Pos.	DENOMINACIÓN	DESCRIPTION	2GR	3GR
20	Contador Volumétrico	Flowmeter	08307500	
21	Tapa Contador Volumétrico	Flowmeter Lid	08307500A	
22	Aspas Contador Volumétrico	Flowmeter Reel	0571/050126A	
23	Junta Tórica	O-Ring	0571/050131	
24	Cjto Electrobomba 230 V (Incl. Tubo L-220)	Water Pump 230 V Assy (L-220 Tube Incl)	08341500	
24	Cjto Electrobomba 230 V UL (Incl. Tubo L-220)	UL Water Pump 230 V Assy (L-220 Tube Incl)	08341501	
25	Condensador 5 µF-450V (para Motor 220 V)	5 µF-450V Capacitor (for 220 V Engine)	01123000	
25	Condensador 16 µF-450V (para Motor 115 V)	16 µF-450V Capacitor (for 115 V Engine)	01123100	
26	Motor Electrobomba 230 V - 50/60 Hz	Water Pump 230 V - 50/60 Hz Engine	08354900	
26	Motor Electrobomba 230 V-50/60 Hz UL	UL Water Pump 230 V - 50/60 Hz Engine	08354930	
27	Cuerpo Bomba Agua	Water Pump Main Body	07822109	
28	Electroválvula 230 V	230 V Solenoid Valve	07976608	
28	Electroválvula 208/240 V - 60 Hz UL	UL 208/240 V - 60 Hz Solenoid Valve	08194814	
29	Junta Tórica	O-Ring	03061009	
30	Electrov. 230 V sin Bobina	230 V Sol. Valve w/o Coil	01182302	
31	Bobina 230 V	230 V Coil	01181008	
32	Tuerca Electroválvula	Solenoid Valve Nut	04725106	
33	Centralita con leds M2M 230V	230V M2M with Leds Main Board	08692420	
33	Centralita (Máq M2M)	Main Board (M2M Machines)	08668700	
33	Centralita UL	UL Main Board	08692410	
34	Cjto Pie M2M 80 mm*	M2M 80 mm Foot Assy*	08668900	
35	Tapa suplemento Pie (Modelos M2M)	Foot Supplement Cover (M2M Machines)	08396300	
36	Antena + Cable (Modelos M2M) An	Antenna + Cable (M2M Machines)	08668800	
37	Cj. Suplemento Pie 80 mm	80 mm Foot Supplement Assy	08396400	
37	Cjto Suplemento Pie 105 mm (Dotación máq. UL)	105 mm Foot Supplement Assy (UL M. Accesorie)	08396500	
38	Suplemento Pie 80 mm	80 mm Foot Supplement	08396000	
38	Suplemento Pie 105 mm (Dotación máquina UL)	105 mm Foot Supplement (UL Machine Accesorie)	08396100	
39	Base Adhesiva Pie	Base Adhesiva Pie	08396200	
40	Interfaz Botonera Capacitiva (Modelos M2M)	Capacitive Touch Button Interface (M2M Machines)	08757000	

Pos.	Item	Repl. by	Description	Notes	Price (USD)
0021	08307500A		FLOWMETER LID - RUBY		
0022	0571/050126A		FLOWMETER REEL - RUBY		
0023	0571/050131		O-RING - FLOWMETER - RUBY		
0024	08341500		PUMP MOTOR ASSEMBLY 230V.		
0024	08341501				
0025	01123000		WATER PUMP CAPACITOR - VETRO		
0025	01123100				
0026	08354900		MOTOR PANEL.RPM11054803/230V		
0026	08354930		MOTOR RPM-110797.00/230V		
0027	07822109		PUMP - VETRO/RUBY		
0028	07976608		230 V PARKER SOLENOID VALVE		
0028	08194814		ELECTROVALVE.12821R5 240/60		
0029	03061009		O-RING - SOLENOID - RUBY		
0030	01182302		PARKER SOLENOID VALVE WITHOUT COIL		
0031	01181008		230V PARKER COIL		
0032	04725106		SOLENOID VALVE SUPPORT NUT		
0033	08668700		M2M BOARD		
0033	08692410		MAINBOARD		
0033	08692420		MAINBOARD - VETRO		
0034	08668900		M2M FOOT		
0035	08396300		SUPPLEMENT FOOT		
0036	08668800				
0037	08396400		FOOT SUPPLEMENT ASSEMBLY 80 mm08396000+ 08396200		
0037	08396500		FOOT SUPPLEMENT ASSEMBLY 105mm. 08396100+ 08396200		
0038	08396000		FOOT SUPPLEMENT 80 mm		
0038	08396100		FOOT SUPPLEMENT 105 mm		
0039	08396200		FOOT SUPPLEMENT STICKER		
0040	08757000		CAPACITIVE KEYPAD INTERFACE		

Pos.	DENOMINACIÓN	DESCRIPTION	2GR	3GR
1	Cable General Electrónica	General Electronics Cable	08600400	08600410
2	Cable General Electrónica (*SM)	General Electronics Cable (*ATM)	08765500 (3500 W)	
3	Cable General Electrónica UL	General Electronics Cable UL	08765510 (3500 W)	08600420 (4600 W)
4	Cable Potencia con Interruptor General	Power Cable with Switcher	08600310	08600320
5	Cable Potencia con Interruptor General (*SM)	Power Cable with Switcher (*ATM)	08600320	(3500 W)
6	Cable Potencia con Interruptor General UL	UL Power Cable with Switcher	08860500	08833200
7	Cable Botonera	Push Button Cable	08876600	08583810
8	Cable Iluminación Cubregrupos	Groups Cover Illumination Cable	08613900	08614000
9	Cable Termostato-Relé-Resist. (*SM)	Thermostat-Switch-Heater (*ATM)	08699600	
10	Cable Contactor-Relé-Resist. UL	Contactor-Switch-Heater UL	08860410	
11	Regleta Nivel Sonda	Level Probe Power Strip	07389604	
12	Brida Sujeción Cable Instalación	General Switch Cable Clamp	07832405	
13	Brida Sujeción Cables	Cable Clamp	08158206	
14	Brida Lazo 2225-1	2225-1 Clamp	07896301	
15	Abrazadera Cable Sonda	Level Probe Cable Clamp	04401800	
16	Tira LEDs + Cable	LEDs Strip + Cable	08606010	

Pos.	Item	Repl. by	Description	Notes	Price (USD)
0001	08600400		GENERAL CABLE ELECTRONIC		
0001	08600410		GENERAL CABLE ELECTRONIC 3 GR.		
0002	08765500		GENERAL CABLE VETRO 2GR		
0003	08765510				
0004	08600310		SINGLE PHASE NETWORK INSTALLATION ASSEMBLY 0-1-2-3		
0004	08600320		THREE PHASE NETWORK INSTALLATION ASSY		
0005	08600320		THREE PHASE NETWORK INSTALLATION ASSY		
0006	08833200				
0006	08860500				
0007	08583810		ELECTRONIC KEYPAD CABLE 3 GR		
0007	08876600		PUSH BUTTONS CABLE		
0008	08613900		GROUPS COVER ILLUMINATION CABLE 2 GR		
0008	08614000		GROUPS COVER ILLUMINATION CABLE 3 GR		
0009	08699600		THERMOSTAT-SWITCH HEATING ELEMENT CABLE		
0010	08860410				
0011	07389604		** GO TO 1505/000001 **		
0012	07832405		CABLE FASTENER		
0013	08158206		RICHCO CLAMP		
0014	07896301		CLAMP 2225-190X2.5		
0015	04401800		CLAMP Ref. 00101100178		
0016	08606010		CABLE LEDS L 100		



Pos.	DENOMINACIÓN	DESCRIPTION	REF.
1	Cjto Porta Filtros 1 Café Blanco	1 Coffee White Filter Holder Assy	08684100
1	Cjto Porta Filtros 2 Cafés Blanco	2 Coffee White Filter Holder Assy	08684200
1	Cjto Porta Filtros 1 Café Negro	1 Coffee Black Filter Holder Assy	08684110
1	Cjto Porta Filtros 2 Cafés Negro	2 Coffee Black Filter Holder Assy	08684210
2	Tornillo Boquilla Dispensador	Dispenser Nozzle Screw	08480100
3	Muelle Porta Filtros	Filter Holder Spring	11214301
4	Cuerpo Porta Filtros	Filter Holder Main Body	08480050
5	Salida 2 Cafés	2 Coffee Dispense Nozzle	08366750
5	Salida 2 Vías (Mini)	2 Coffee Mini Dispense Nozzle	08559500
6	Salida 1 Café	1 Coffee Dispense Nozzle	08366650
7	Eje Mango Porta Filtros	Filter Holder Handle Shaft	08335800
8	Mango Portafiltros Blanco	White Filter Holder Handle	08684300
8	Mango Portafiltros Negro	Black Filter Holder Handle	08684310
9	Tapa Mango Portafiltros	Filter Holder Handle Cover	08684600
10	Tapa Cacillo Limpieza	Filter Cleaning Cover	08599500
11	Filtro 1 Café Pequeño 6-8 gr	1 Coffee Small 6-8 gr Filter	08672300
12	Filtro 1 Café Pequeño 7-10 gr	1 Coffee Small 7-10 gr Filter	08672100
13	Filtro 1 Café Pequeño 8-12 gr (Estándar)	1 Coffee Small 8-12 gr Filter (Standard)	08672000
14	Filtro 1 Café Grande 10-14 gr	1 Coffee Big 10-14 gr Filter	08672200
15	Filtro 2 Cafés Pequeño 12-14 gr	2 Coffee Small 12-14 gr Filter	08672400
16	Filtro 2 Cafés Pequeño 14-16 gr	2 Coffee Small 14-16 gr Filter	08672600
17	Filtro 2 Cafés Grande 16-20 gr (Estándar)	2 Coffee Big 16-20 gr Filter (Standard)	08672500
18	Filtro 2 Cafés Grande 20-25 gr	2 Coffee Big 20-25 gr Filter	08672700
19	Filtro Monodosis 1 Café	1 Coffee Filter Pod	08365000
20	Filtro Monodosis 2 Cafés	2 Coffee Filter Pod	08365100
21	Tubo Desagüe	Drain Tube	08020703
22	Tubo Entrada 1600 mm	1600 mm Inlet Tube	0551/050112
23	Tubo Entrada 710 mm	710 mm Inlet Tube	0571/050108
24	Porta Filtros Perforado	Naked Filter Holder	08480090

Pos.	Item	Repl. by	Description	Notes	Price (USD)
0001	08480100		DISPENSER NOZZLE SCREW		
0001	08684110		1 COFFEE BLACK FILTER HOLDER ASSY		
0001	08684200		2 COFFEE WHITE FILTER HOLDER ASSY		
0001	08684210		2 COFFEE BLACK FILTER HOLDER ASSY		
0002	11214301		FILTER HOLDER SPRING		
0003	08480050		FILTER HOLTHER MAIN BODY		
0004	08366750		2 COFFEE DISPENSE NOZZLE		
0005	08366650		1 COFFEE DISPENSE NOZZLE		
0005	08559500		2 COFFEE MINI DISPENSE NOZZLE		
0006	08335800		FILTER HOLDER HANDLE SHAFT		
0007	08684300		WHITE FILTER HOLDER HANDLE		
0008	08684310		BLACK FILTER HOLDER HANDLE		
0008	08684600		FILTER HOLDER HANDLE COVER		
0009	08599500		FILTER CLEANING COVER		
0010	08672300		1 COFFE SMALL 6-8 GR FILTER		
0011	08672100		1 COFFE SMALL 7-10 GR FILTER		
0012	08672000		FILTER 1 COFFEE - VETRO/ RUBY(STANDARD)		
0013	08672200		1 COFFEE BIG 10-14 GR FILTER		
0014	08672400		2 COFFEE SMALL 12-14 GR FILTER		
0015	08672600		2 COFFEE SMALL 14-16 GR FILTER		
0016	08672500		FILTER - 2 COFFEE - RUBY		
0017	08672700		2 COFFEE BIG 20-25 GR FILTER		
0018	08365000		FILTER POD - RUBY		
0019	08365100		2 COFFEE FILTER POD		
0020	08020703		OUTLET TUBE		
0021	0551/050112		INLET PUMP TUBE		
0022	0571/050108		WATER INLET TUBE		
0023	08480090		NAKED FILTER HOLDER		
0024	08480090		NAKED FILTER HOLDER		