


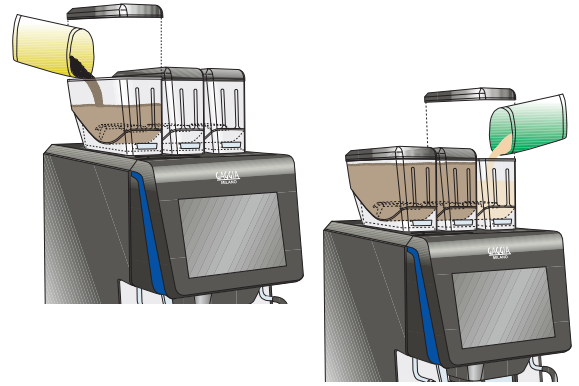
La Radiosa

Cleaning Guide

FILLING UP INGREDIENTS


COFFEE BEANS & SOLUBLE INGREDIENT

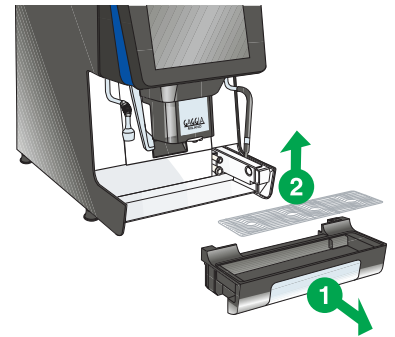
- 1 Remove the lid of a coffee bean or soluble ingredient canister.
Remove one lid at a time.
 - 2 Fill the canister with the appropriate product leaving 1 inch headspace, then reinstall the lid.
-  **Make sure to avoid cross-contamination. Do not compress the soluble ingredient. Do not overfill the canisters.**
- 3 Repeat Steps 1 and 2 for the other canisters.
 - 4 Indicate how much product has been loaded via the “Daily operations” function (see section below).



CLEANING WASTE CONTAINERS

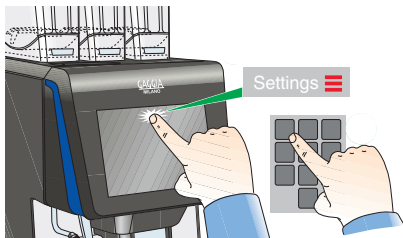
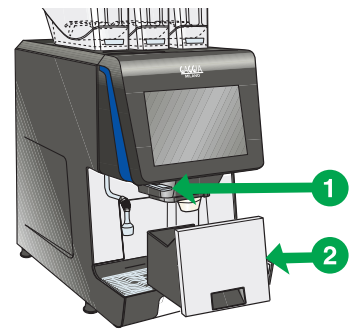
DRIP TRAY

- 1 Pull the drip tray out.
 - 2 Empty the drip tray, then rinse the tray and its grill under hot water.
-  **WARNING! Drip tray may be full of hot liquid.**
- 3 Reinstall the drip tray.



INTERNAL WASTE BIN

- 1 Lift the nozzles using the lever.
- 2 Pull the internal waste bin out.
- 3 Empty the waste bin and clean it.
- 4 Reinstall the internal waste bin.
- 5 Confirm the waste bin has been emptied via the “Daily operations” function (see section below).




DAILY OPERATIONS FUNCTION

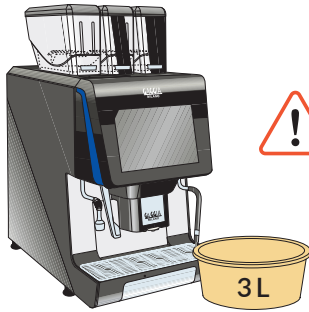
Tap the **Settings**  icon on the selection screen and enter the password.

Select the “Daily operations” function.

Access the desired function to either indicate products have been filled and/or reset waste bin count.

Tap the  icon to exit the menu.


La Radiosa Cleaning Guide



The different wash cycles listed below do not replace the need to disassemble the components for regular sanitization.

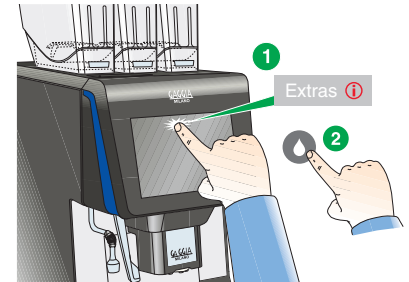
If the machine is NOT equipped with a drainage system, always place a container of at least 3L under the nozzle.

ACCESSING THE CLEANING MENU

Tap the Extras  icon on the selection screen.

Select the **CLEANING**  menu, then enter the password.

Select the cleaning or rinsing cycle to be performed.



PERFORMING A CLEANING CYCLE

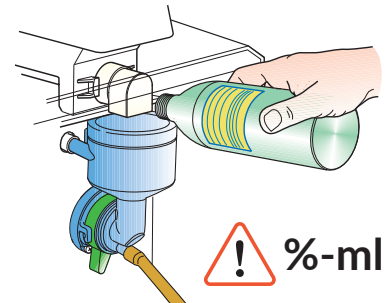
MIXING BOWL CLEANING

- 1 Access the **CLEANING** menu and tap the **Mixer** button to perform the cleaning cycle.
- 2 Pour a few drops of sanitizing solution into the mixer during the cycle.



Follow the dosing directions on the sanitizing solution packaging.

- 3 Perform a second rinse cycle **WITHOUT** sanitizing solution to remove any remaining product.
- 4 If applicable, empty the container. Be careful, the water is **VERY HOT**. Do not drink this water.



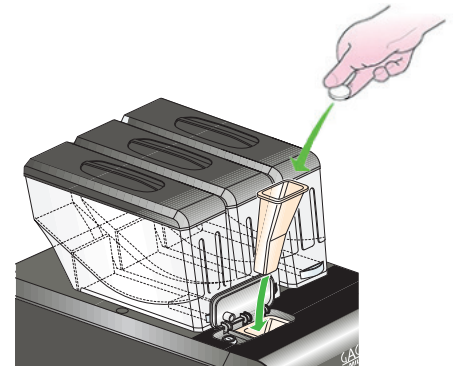
BREW GROUP CLEANING

- 1 Open the decaffeinated coffee access door.
- 2 Insert the detergent chute into the decaffeinated coffee chute.
- 3 Add a brew group cleaning tablet into the chute.



Use only coffee machine-specific products.
Follow the dosing directions on the product packaging.

- 4 Access the **CLEANING** menu, tap the **Brewer** button and select the **With tablet** option to perform the cleaning cycle.
- 5 Perform a brew group rinse cycle **WITHOUT** a cleaning tablet to remove any remaining product (**Brewer** button > **Rinsing**).
- 6 Remove the detergent chute.
- 7 If applicable, empty the container. Be careful, the water is **VERY HOT**. Do not drink this water.



RECOMMENDED PRODUCT

Evoca North America recommends using CAFIZA tablets from Urnex, or equivalent cleaning products.

Make sure to always follow the product manufacturer's instructions.
Product code: 20ACC22

CLEANING MILK COMPONENTS

CAPPUCCINO MAKER & COFFEE NOZZLES

STEP 1 - Dismantling Nozzles

- 1 Lower the nozzles lever. (Fig. 1)
- 2 Remove the nozzles cover. (Fig. 1)
- 3 Disconnect the tubes from the cappuccino maker nozzle (A) and the flow divider nozzle (B). (Fig. 1)
- 4 Tilt the flow divider head to unlock it. (Fig. 2)
- 5 Remove the flow divider nozzle (B) from the support. (Fig. 2)
- 6 Remove the cappuccino maker nozzle (A). (Fig. 2)

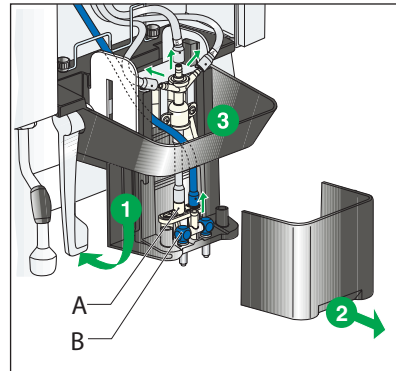


Fig. 1

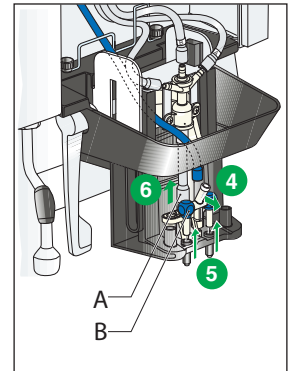


Fig. 2

STEP 2 - Cleaning Nozzles

- 1 Separate parts A and B of the cappuccino maker nozzle from one another. (Fig. 3)
- 2 Separate parts B and C from one another. (Fig. 3)
- 3 Clean all cappuccino maker nozzle and flow divider nozzle parts in cleaning solution using a small brush. (Fig. 4)

Rinse and thoroughly dry all the parts.



Use only milk system-specific products.
Follow the dosing directions on the product packaging.

Make sure to remove all visible residues and films.

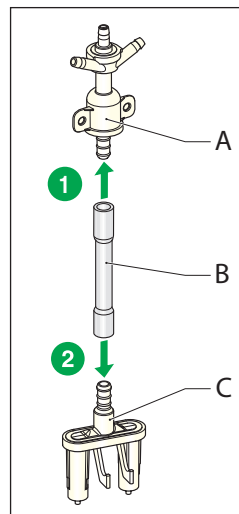


Fig. 3

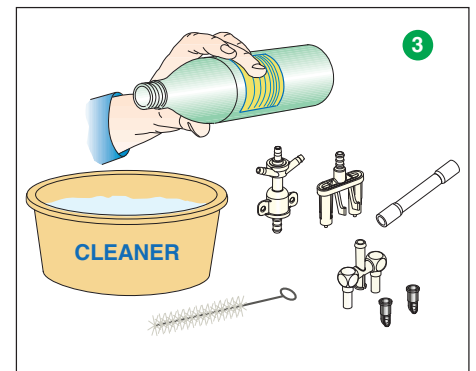


Fig. 4

STEP 3 - Reassembling Nozzles

- 1 Reassemble parts B and C. (Fig. 5)
- 2 Reassemble parts A and B. (Fig. 5)
- 3 Reinstall the cappuccino maker nozzle. (Fig. 6)
- 4 Reconnect tubes A, B and E to the cappuccino nozzle. (Fig. 6)
- 5 Reposition the flow divider and lock it back in place. (Fig. 6)
- 6 Reconnect the coffee tube to the flow divider. (Fig. 6)
- 7 Reinstall the nozzles cover. (Fig. 6)

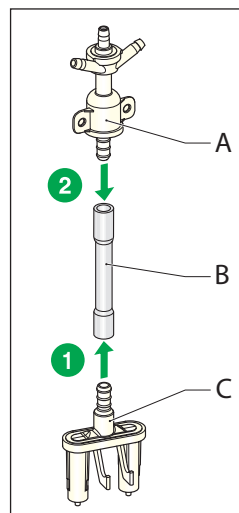


Fig. 5

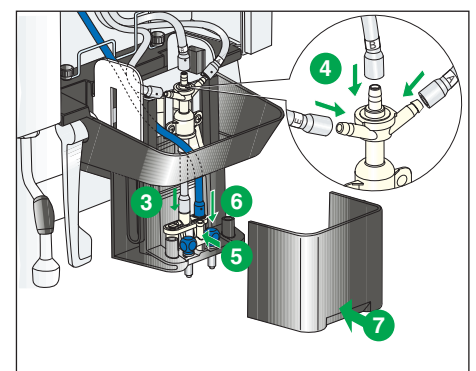


Fig. 6



RECOMMENDED PRODUCT

Evoca North America recommends using Milk System Cleaning Tablets from Evoca, or equivalent cleaning products.

Make sure to always follow the product manufacturer's instructions.

Product code: 962961

CLEANING MILK COMPONENTS

MILK TUBE & COOLING UNIT

- 1 Turn off the milk cooling unit.
- 2 Access the **CLEANING** menu, tap the **Milk** button and select the **Cleaning** option.
- 3 Place a container of at least 4 L under the nozzles. (Fig. 1)
- 4 Remove the cooling unit and/or milk container, then place the milk tube in a container of at least 3 L beside the machine. (Fig. 1)



The milk tube must rest on the bottom of the container.

- 5 Add a cleaning tablet in the container. (Fig. 2)



**Use only milk system-specific products.
Follow the dosing directions on the product packaging.**

- 6 When all required steps have been performed, tap the **Ok** buttons on the screen to start the cleaning cycle.



≈ 10-15 min

The machine will automatically prepare the cleaning solution by pouring hot water into the container. The solution will be sucked up and will rinse the whole milk circuit.

- 7 During the automatic cleaning process, clean the milk cooling unit using a wet, soft cloth. Then, wipe it with a dry cloth. (Fig. 3)

- 8 At the end of the milk cleaning cycle, remove and empty the two containers. **Do not drink this water.**

- 9 Clean the exterior of the milk tube using a soft cloth. (Fig. 4)

- 10 Tap the **Ok** buttons on the screen to finalize the process.

- 11 Put the milk cooling unit back in place.
Reinsert the milk tube in the cooling unit and/or milk container.



Make sure the milk tube is correctly positioned so it is supplied with milk.

- 12 Turn the milk cooling unit on and wait for the operating temperature to be reached.

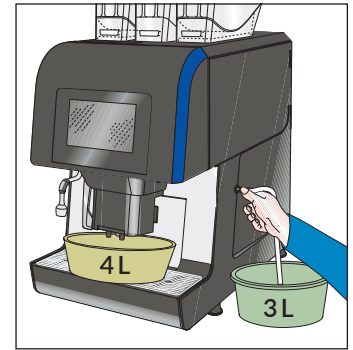


Fig. 1

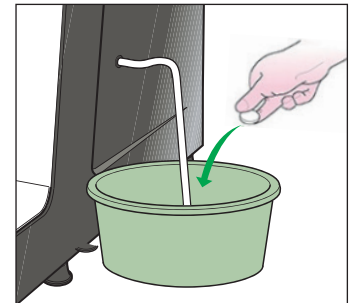


Fig. 2

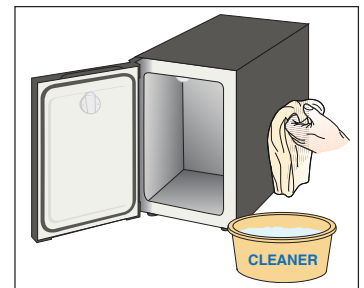


Fig. 3

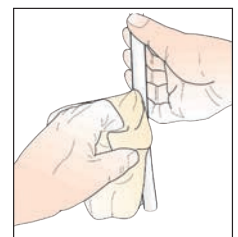


Fig. 4



RECOMMENDED PRODUCT

Evoca North America recommends using Milk System Cleaning Tablets from Evoca, or equivalent cleaning product.

Make sure to always follow the product manufacturer's instructions.
Product code: 962961