



# SYMBOL

## QUICK INSTALLATION GUIDE



Installation &  
Service Manual

Available by scanning this  
QR code.

*Images may vary from the actual product.*

### Table of Contents

<b>1</b>	<b>SAFETY INSTRUCTIONS.....</b>	<b>2</b>
1.1	Food-Contact Parts .....	2
1.2	Warnings.....	2
1.3	Power Supply .....	2
1.4	Disconnect the Equipment if: .....	2
<b>2</b>	<b>BREWER SPECIFICATIONS .....</b>	<b>3</b>
2.1	External View .....	3
2.2	Internal View .....	4
2.3	Dimensions and Clearances.....	5
2.4	Technical Specifications .....	5
<b>3</b>	<b>INITIAL SETUP .....</b>	<b>6</b>
3.1	On-Site Installation Requirements.....	6
3.2	Chute Hole Cutting (Optional).....	6
3.3	Unpacking .....	7
3.4	Leveling the Equipment.....	7
3.5	Drip Tray Installation .....	8
3.6	Water Line Connection.....	8
3.7	Electrical Connection .....	9
3.8	Loading Products.....	9
3.9	Filter Paper Installation .....	11
3.10	Chute Kit Installation (Optional).....	12
3.11	Installation Verification .....	12



Manufactured by:  
 Evoca North America Venture Inc.  
 Tel.: 800-561-6162 Fax: 800-463-2739  
 service.na@evocagroup.com www.evocagroupna.com

**LEGEND**

This symbol is used to highlight a key step to anticipate a risk for safety or a risk of damaging the equipment.



This symbol is used to indicate additional information or a quick tip.

**1 SAFETY INSTRUCTIONS**

Basic safety precautions should always be followed when using electrical appliances. Read all instructions before using this brewing equipment.

**1.1 Food-Contact Parts**

Evoca North America recommends to clean and sanitize all parts in contact with food prior to installation and use.

**1.2 Warnings**

To minimize the risk of fire or electric shock, do not expose this equipment to rain or moisture.

Do not immerse this equipment in water; it could lead to electric shock or other malfunctions.

Do not use this equipment other than for its intended use.

This equipment contains hot water. Never move it when full.

This brewing equipment is intended for indoor use only.

**1.3 Power Supply**

Always use a grounded 120VAC 60Hz socket outlet rated for 15A service.

Each brewing equipment must have its own electrical outlet, on a dedicated circuit.

Extension cords must not be used.

This brewer is equipped with a polarized alternating current line plug (one blade wider than the other).

Only use this plug with an outlet in which the prongs can be fully inserted.

**1.4 Disconnect the equipment if:**

- Damage is done to the power cord.
- The equipment does not work properly.
- The temperature of the power cord or plug increases dramatically during use.
- Unusual conditions occur.
- Anytime a part has to be changed, plugged or unplugged.

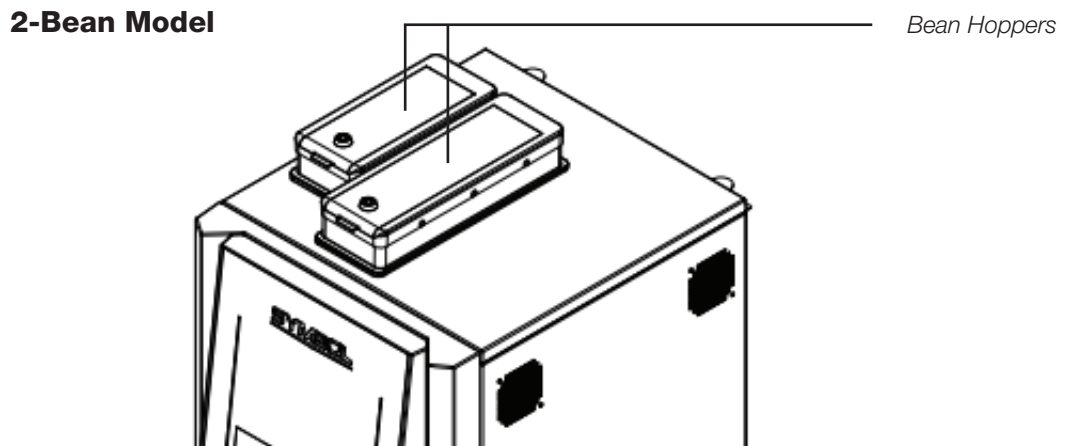
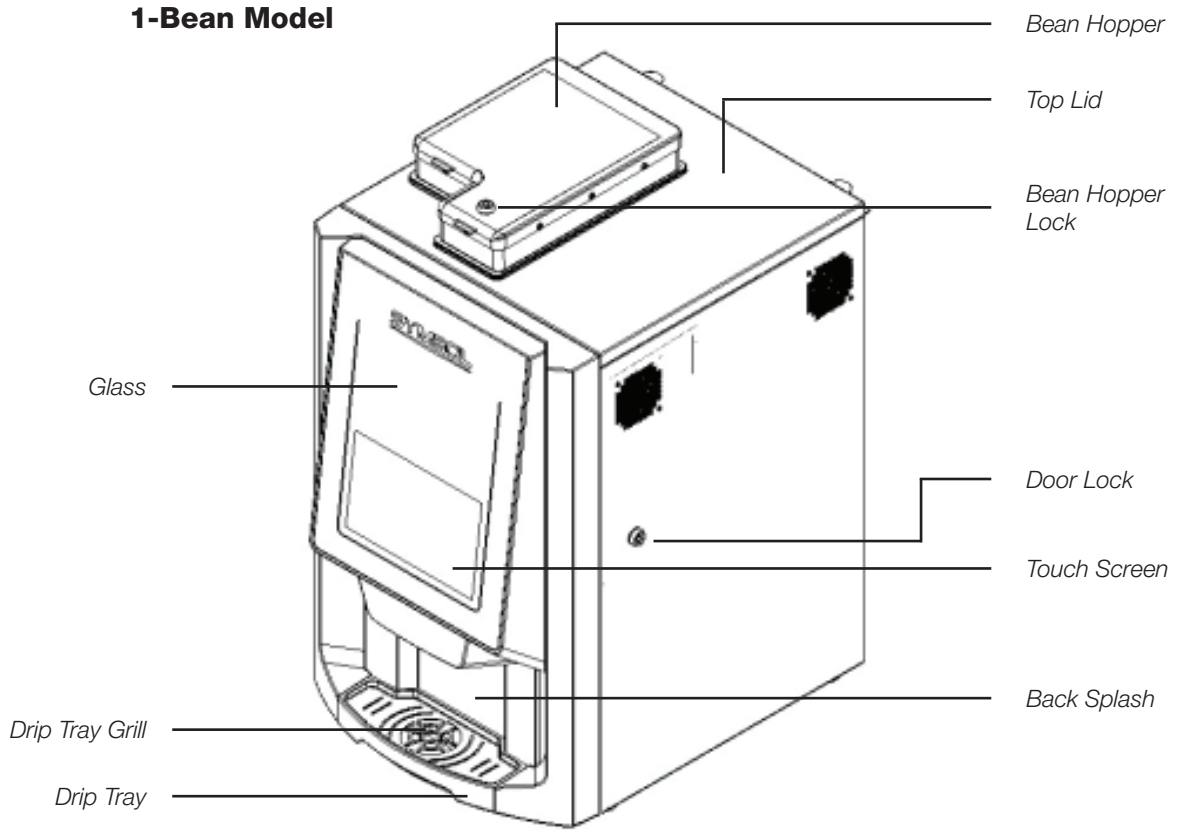


**FAILURE TO COMPLY CAN CAUSE EQUIPMENT DAMAGE, FIRE OR SERIOUS INJURIES.**

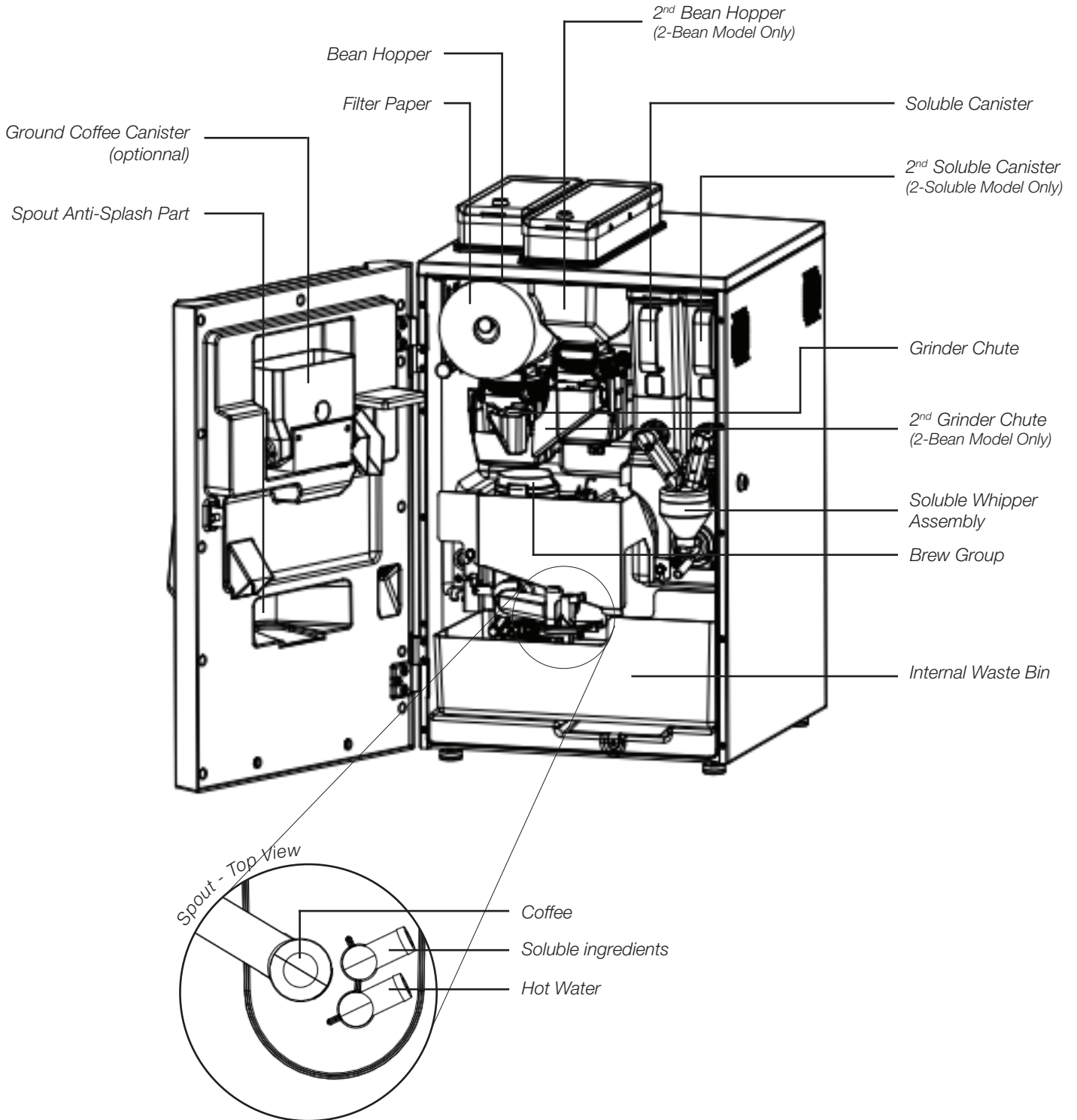
**THE INSTALLATION PROCEDURE OF THIS GUIDE MUST BE COMPLETED BEFORE PLUGGING IN THE BREWER.**

## 2 BREWER SPECIFICATIONS

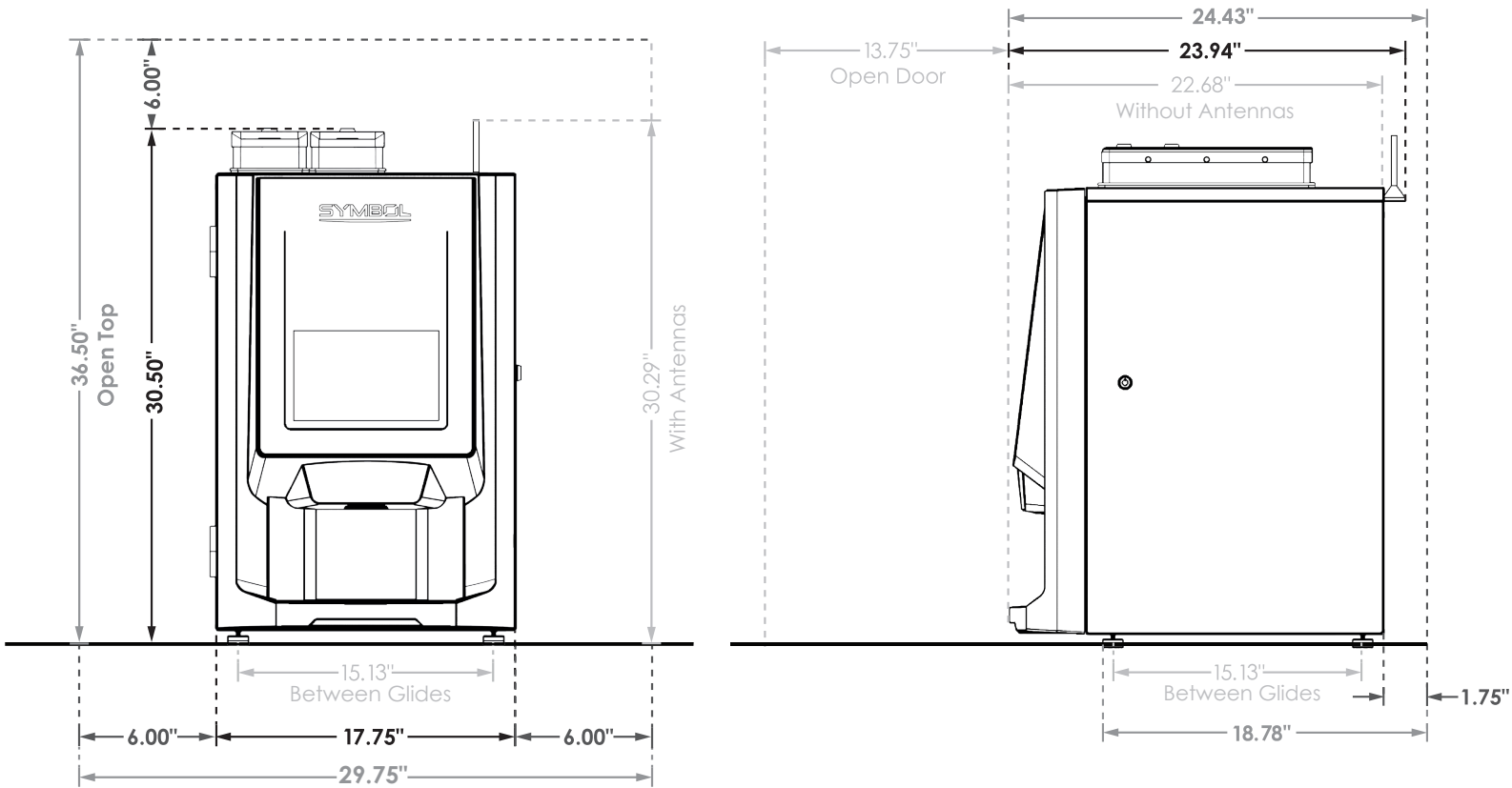
### 2.1 External View



2.2 Internal View



**2.3 Dimensions and Clearances**



**2.4 Technical Specifications**

**2.4.1 Hopper & Canister Capacities**

**Whole Bean Hoppers**

- 1-Bean Model ..... 5.0 lb (2.3 kg)
- 2-Bean Model ..... 2.5 lb (1.2 kg) and 3.0 lb (1.4 kg)
- Soluble Canisters\* (each)..... 3.0 lb (1.4 kg)
- Ground Coffee Canister\* (optional)..... 0.9 lb (0.4 kg)

\*Quantity of canisters may vary depending on the model

**2.4.2 Electrical Specifications (Brewer Consumption)**

120 V AC / 60 Hz - 12 A  
1440W

**2.4.3 Weight**

Up to 94 lb (42.6 kg)

**2.4.4 Water Tank**

- Capacity ..... 0.74 gallons (2.8 L)
- Water valves ..... 3 single valves
- Heating element..... 1250 watts

### 3 INITIAL SETUP

Before installing the brewer at the desired location, it is strongly suggested to unpack, inspect and perform a bench test of the machine at the warehouse.

#### 3.1 On-Site Installation Requirements

##### 3.1.1 Operating Environment

Equipment is for indoor use only.

##### 3.1.2 Power Supply

Make sure each unit has its own electrical circuit and is located within five (5) feet of the dedicated electrical outlet.

Use only a polarized grounded receptacle.

Domestic 120VAC / 60Hz - 15A circuit. NEMA 5-15 outlet.



##### 3.1.3 Water Supply

Use a plastic 1/4" or 3/8" (outside diameter) dedicated line branched off a larger line.

An easily accessible shut off valve upstream of the unit is highly recommended for ease of installation.

Make sure that your installation complies with your federal, state, provincial and/or municipal codes.

Cold tap water pressure should be at least 20 psi and no more than 80 psi.

**Do not use distilled water.**

##### 3.1.4 Tools Required

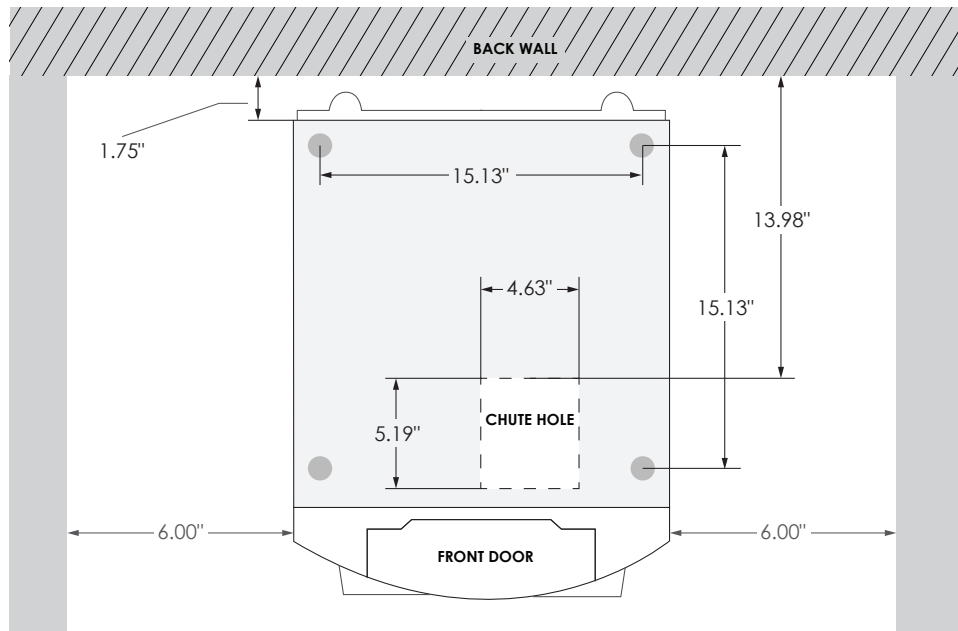
- Adjustable wrench
- Level indicator



Other tools may be required depending on the type of water supply tubing and location.

#### 3.2 Chute Hole Cutting (optional)

If the machine needs to be installed with a chute kit, refer to the chute hole positioning plan below to cut the counter. Cut the hole in the counter top prior to installing the machine on it.

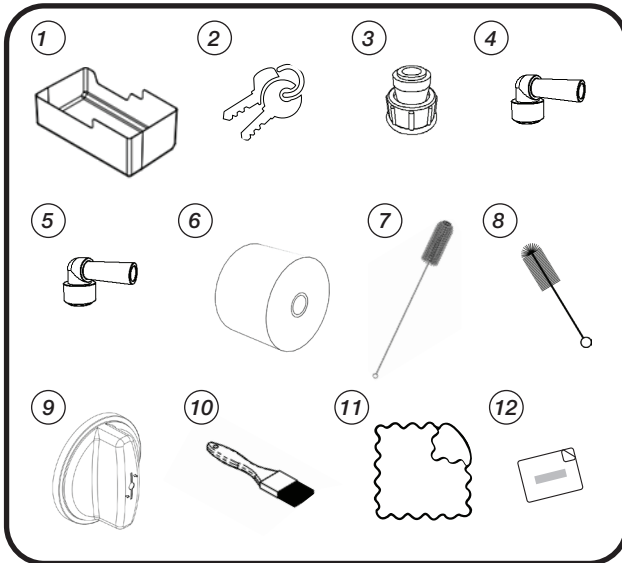


"HOLE EDGES SHOULD BE SEALED WITH SILICONE OR AN APPROPRIATE SEALANT FOR PROTECTION AGAINST WATER DAMAGE"

### 3.3 Unpacking

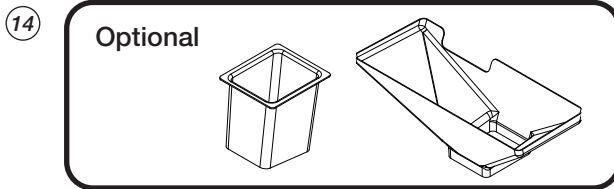
To remove the unit from the box, carefully cut the straps holding the box in place on the skid. Remove the top of the packaging, then pull up the unit's box. Inspect the unit to see if any damage occurred during shipment.

Some parts and accessories need to be installed on the equipment. Those were placed inside the accessories box for shipment. Here is a list of all accessories and parts that should be found in this box.



Provided inside the accessories box:

1. Internal Waste Bin
2. Machine Keys (2)
3. 3/8" Inlet Fitting
4. 3/8" to 1/4" Elbow Inlet Fitting
5. 3/8" to 3/8" Elbow Inlet Fitting
6. Filter Paper Roll
7. Large Cleaning Brush
8. Small Cleaning Brush
9. Brew Group Turning Tool
10. Brush
11. Microfiber Cloth
12. Identification Stickers for Canisters (6)
13. Quick Start Guide



Optional

14. Plastic Chute Kit (Chute Base and Chute)

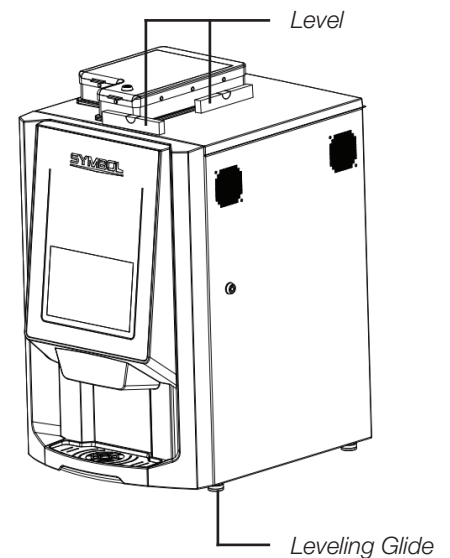
### 3.4 Leveling the Equipment

For optimal performance of the equipment, it is important to ensure that it is leveled. Avoiding to do so can create variations in product delivery.

1. Place a level on the top lid of the machine.
2. Adjust the four (4) threaded leveling glides of the equipment to reach a leveled position.

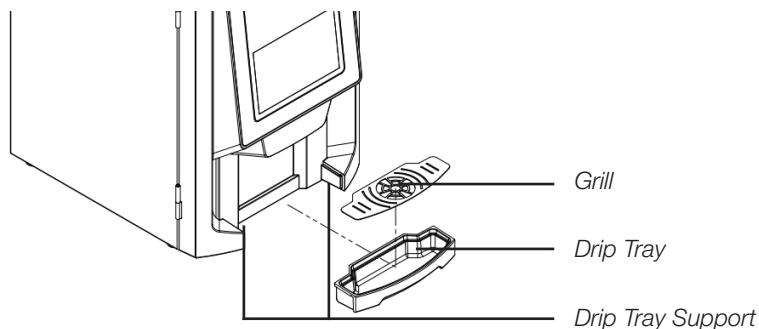


**Make sure to place the level on both sides of the machine to ensure optimal leveling, as shown on the opposite image.**



### 3.5 Drip Tray Installation

Place the drip tray grill on the drip tray, then place it on its support.



### 3.6 Water Line Connection



**THIS EQUIPMENT MUST BE INSTALLED IN COMPLIANCE WITH APPLICABLE FEDERAL, STATE, PROVINCIAL AND/OR MUNICIPAL PLUMBING CODES HAVING JURISDICTION.**

**MAKE SURE THAT THE EQUIPMENT IS UNPLUGGED BEFORE PROCEEDING WITH THE WATER SUPPLY INSTALLATION. ALSO VERIFY THAT THE INCOMING WATER PRESSURE IS GREATER THAN 20 PSI AND NO MORE THAN 80 PSI.**



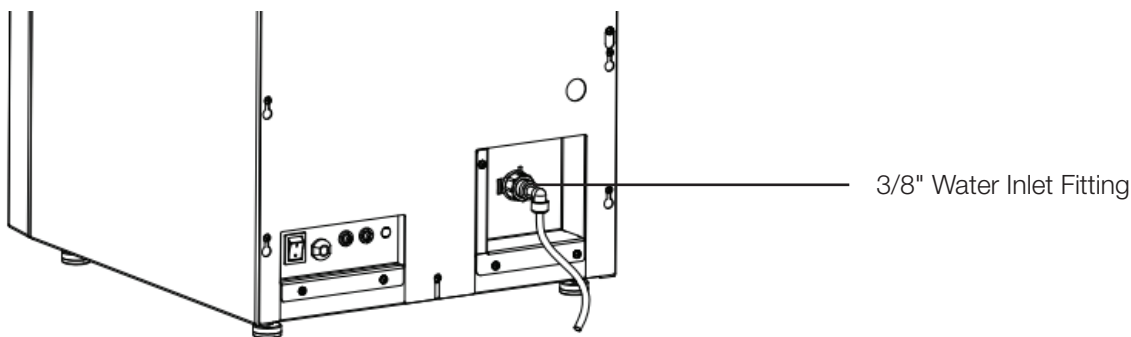
**DO NOT USE DISTILLED WATER**

1. **Prior to installing the equipment, flush out the water line by running approximately 1 gallon of water into a pail.** This will ensure no sediment from a new installation gets in the equipment.
2. The incoming water supply must have a shut-off valve connected in-line. Water supply should be a plastic 1/4" or 3/8" outside diameter dedicated line branched off a larger supply line.
3. **Make sure the water source is turned off.** Firmly secure the inlet fitting onto the inlet valve. **Do not overtighten.**
4. **Make sure the equipment is unplugged.** Connect the water line to the quick connect inlet fitting.
5. Turn the water valve on, sending water to the brewer. If there are any leaks, tighten connections to stop leakage.



**This procedure does not take into consideration the installation of a water filtration system.**

**Please refer to the water filter manufacturer's installation instructions and incorporate them with the above procedures.**





### 3.7 Electrical Connection

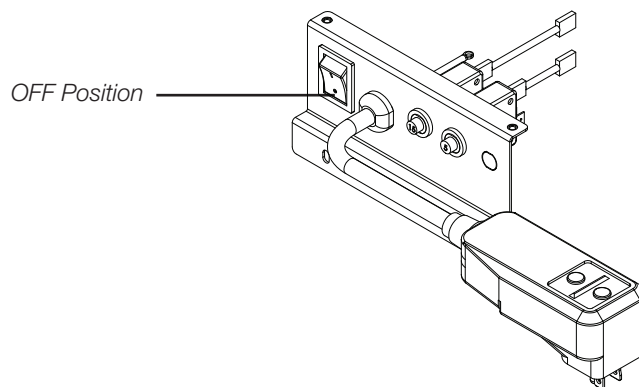


**THIS EQUIPMENT MUST BE INSTALLED IN COMPLIANCE WITH APPLICABLE FEDERAL, STATE, PROVINCIAL AND/OR MUNICIPAL ELECTRICAL CODES HAVING JURISDICTION.**

**MAKE SURE:**

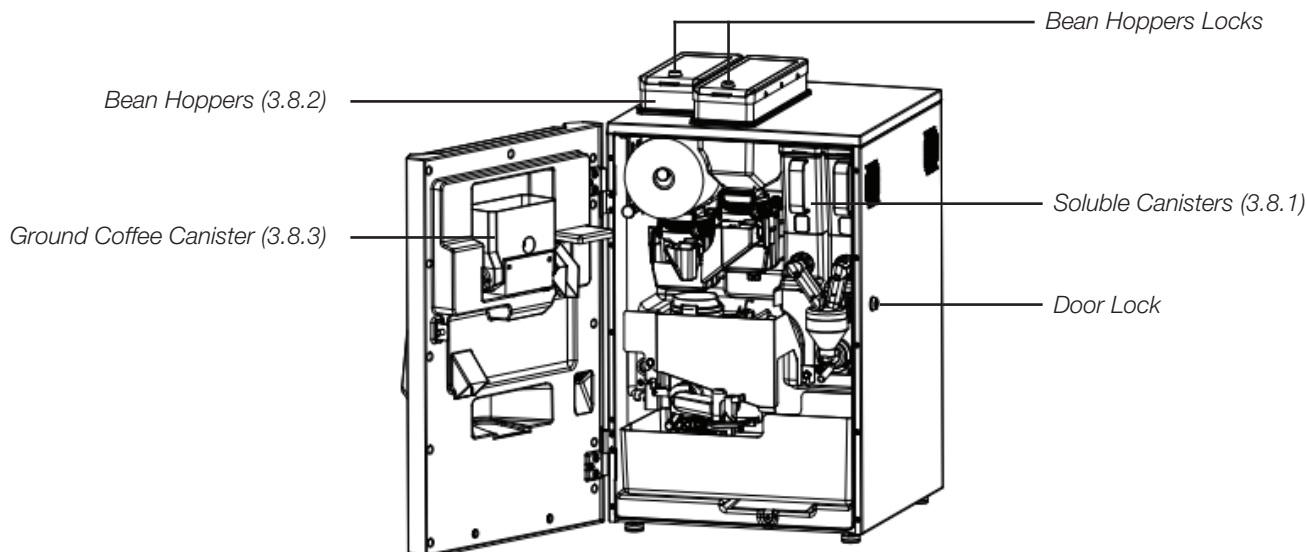
- The equipment is OFF before plugging it in.
- The equipment has its own electrical outlet.
- NO extension cord is used.

1. Locate the unit's power cord.
2. Make sure the power switch at the back of the unit is in the OFF position before plugging it into its own grounded electrical outlet.
3. Toggle the power switch to the ON position. The front lights will turn on, and water will automatically enter the machine to fill the tank. The water tank filling process should take a maximum of three (3) minutes.
4. Once the tank is full, water will take 10-20 minutes to heat to brewing temperature.
5. Once the coffee machine is ready, the selection screen will appear.



**ALWAYS UNPLUG THE MAIN POWER CORD FROM THE OUTLET (AC VOLTAGE) WHEN SERVICING ANY ELECTRICAL COMPONENTS ON THE EQUIPMENT.**

### 3.8 Loading Products



3.8 Loading Products (continued...)



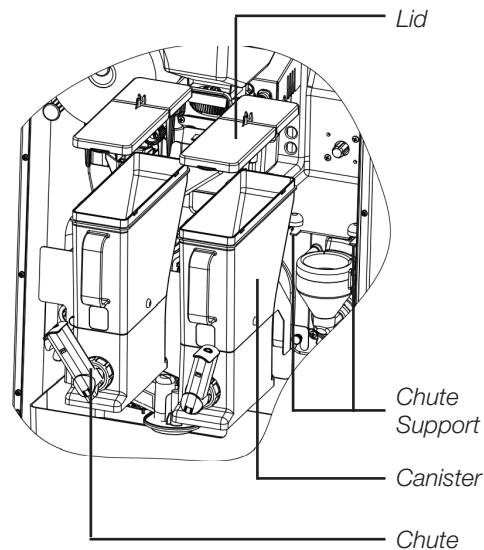
Product availability may vary depending on the model.



**DO NOT OVERFILL THE HOPPERS AND CANISTERS.**

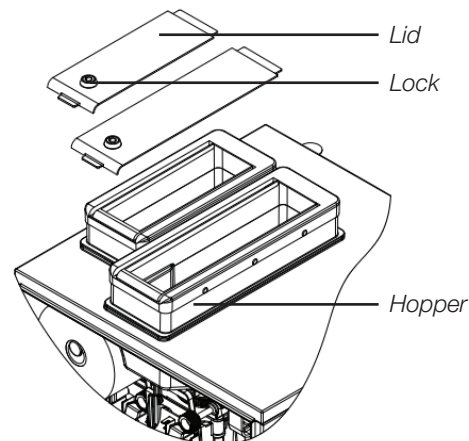
3.8.1 Soluble Ingredients Canisters

1. Unlock and open the door.
2. Lift the chute up to avoid product to fall out of the canisters during loading.
3. Pull the canister outward and remove its lid, then fill it with the appropriate ingredient.
4. Close the lid and reinstall the canister in the machine, making sure it touches the back panel.
5. Replace the chute on its support and make sure it is pushed all the way down.
6. Close the machine door and lock it.



3.8.2 Bean Hoppers

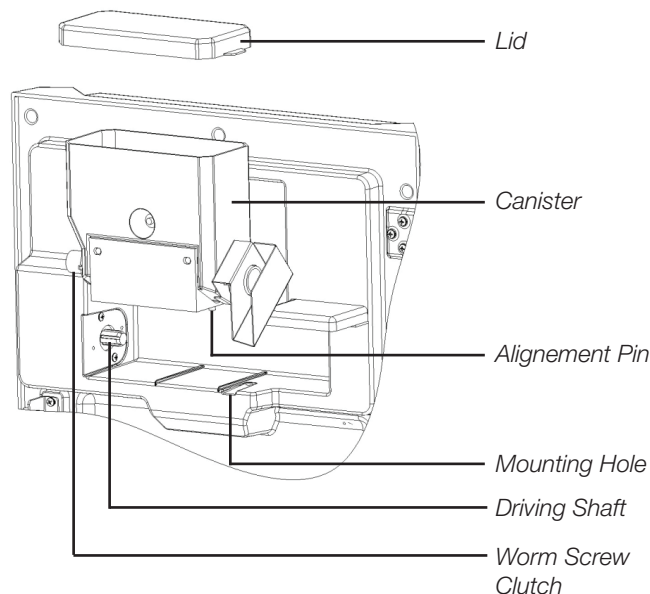
1. Unlock and remove the bean hopper lid
2. Fill the compartment with the appropriate coffee blend.
3. Reinstall and lock the hopper lid.



3.8.3 Ground Coffee Canister

1. Unlock and open the door.
2. Pull the canister outward and remove its lid, then fill it with ground coffee.
3. Close the lid and reinstall the canister in the machine door.

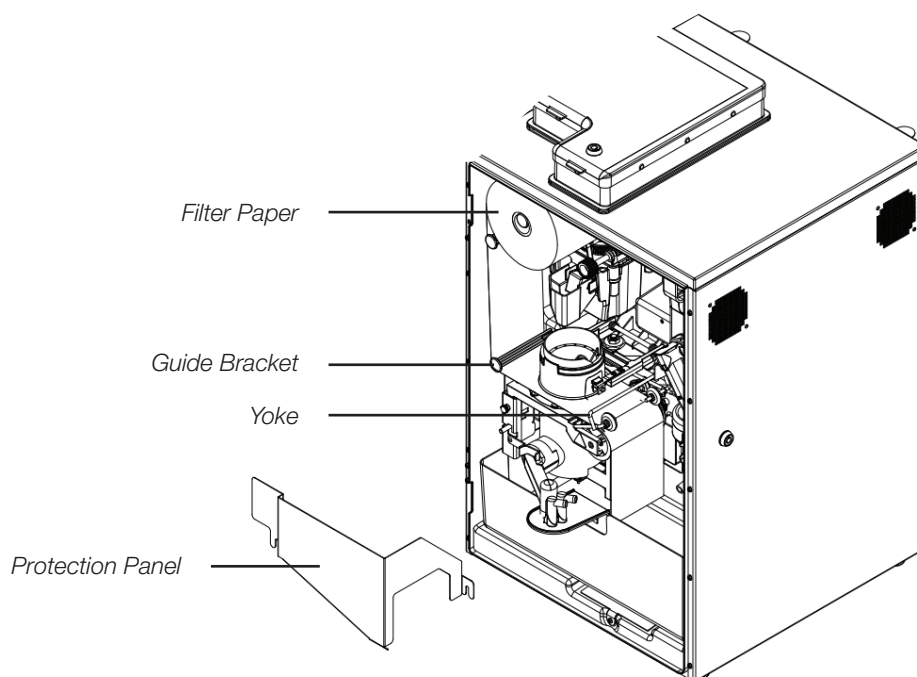
**Make sure to correctly position the driving shaft into the worm screw clutch and to align the pin in the mounting hole.**



**EVOCA NORTH AMERICA DOES NOT RECOMMEND USING FLAVORED BEANS. THEY CAN CONTAIN ETHYL ALCOHOL THAT COULD AFFECT THE BEAN HOPPER'S LONGEVITY.**

### 3.9 Filter Paper Installation

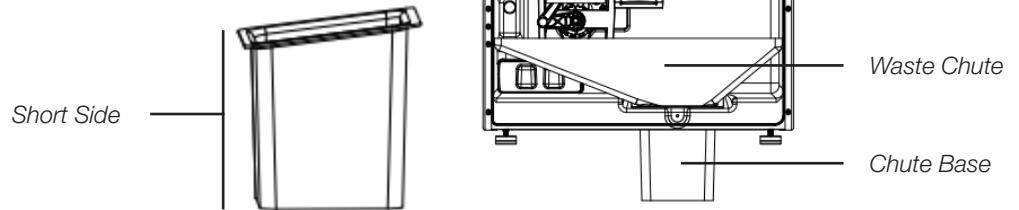
1. Remove the brew group protection pannel.
2. Place the filter paper roll on the bracket so it dispenses on the left-hand side (see the diagram below).
3. Access Service mode by tapping in order on the top left, bottom left and bottom right corners of the screen and enter NIP 5657. Press on the "Install Filter Paper" button and follow the instructions on the screen.
4. Pass the filter paper under the left guide bracket of the brew group, under the brew chamber and under the wheel guides by gently lifting them using the yoke.
5. Pull on the paper and carry it into the internal waste bin or through the chute hole and into the waste bin (if the machine is equipped with a chute kit).
6. Make sure the paper is feeding straight and stays within the guide bracket.
7. Reinstall the protection pannel.



**IMPROPER FILTER PAPER FEEDING WILL CAUSE A VACUUM LEAK AND MAY CAUSE GROUNDS TO SPILL INSIDE THE EQUIPMENT.**

**3.10 Chute Kit Installation (Optional)**

1. Open the brewer's door and remove the protection panel, the internal waste bin and the chute hole hiding plate.
2. Insert the chute base inside the chute hole of the cabinet. **Make sure the shortest side points to the front of the machine.**
3. Insert the waste chute into the chute base. **Verify that the filter paper runs correctly through the chute and into a garbage.**
4. Reinstall the protective panel and close the door.



**3.11 Installation Verification**

It is important to perform several brew cycles on the equipment before completing the installation. At least two (2) cups of each product selection should be ordered to ensure that the brewer is operating as per the specifications laid out in this manual. During this process, review the following checklist as a reminder. Make sure that the brewer is clean, safe and functioning once it is ready to be left on-site.

**What to verify**

<input checked="" type="checkbox"/>	Inlet valve is free of leaks.	Verify that it is secured and not overtightened.
<input checked="" type="checkbox"/>	Brew chamber is empty of coffee.	Verify that the unit is leveled.
<input checked="" type="checkbox"/>	Filter paper feeds without resistance and goes straight into the waste bin or chute.	Verify that the chute is properly installed. Repeat the installation procedure, if needed.
<input checked="" type="checkbox"/>	Soluble whipping chambers are free of leaks.	Verify that it is installed straight and that the tube is secured.
<input checked="" type="checkbox"/>	Water temperature is acceptable.	Verify water temperature.
<input checked="" type="checkbox"/>	Products are loaded.	Load products.
<input checked="" type="checkbox"/>	Brewer and area are clean and tidy.	Clean and tidy up.