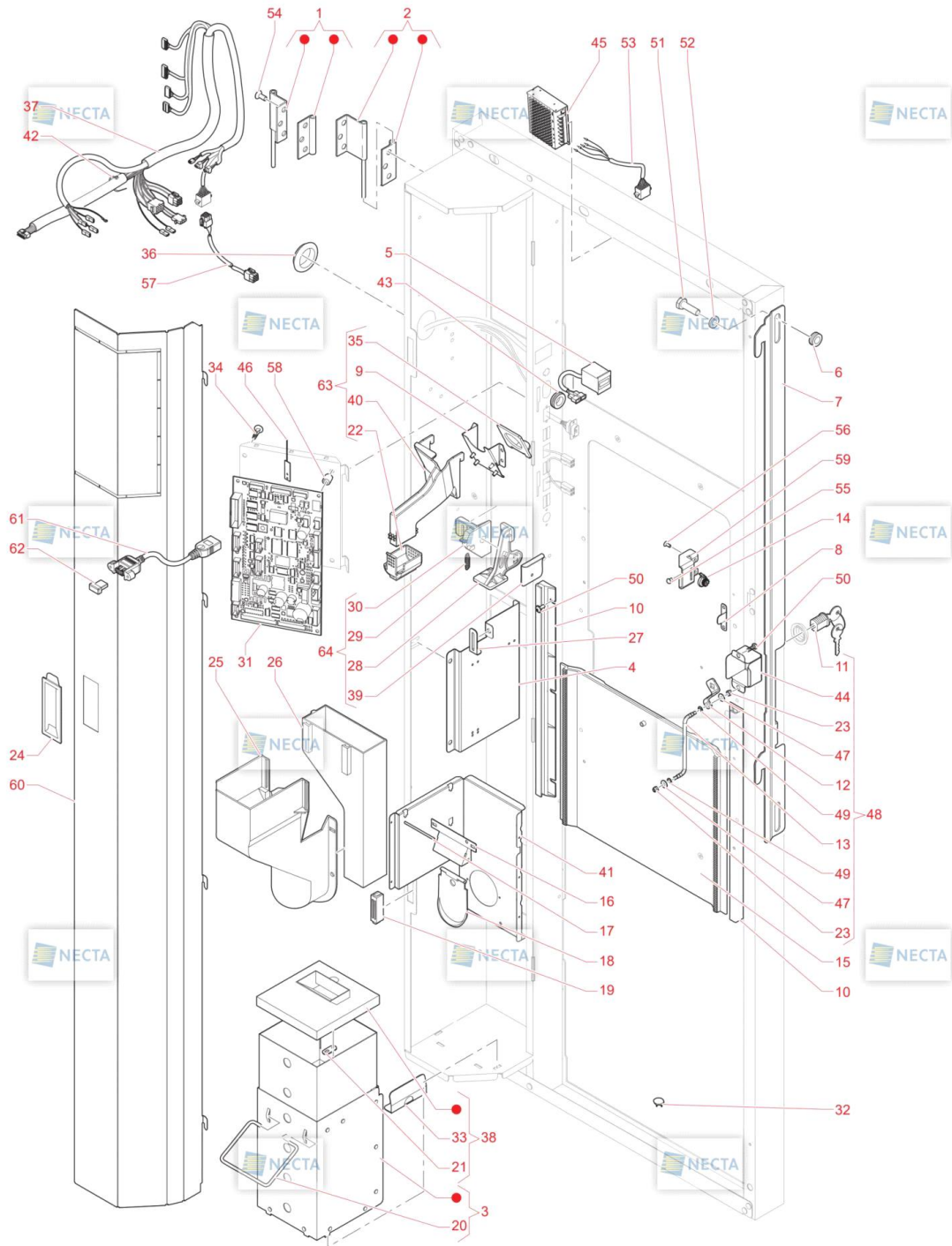
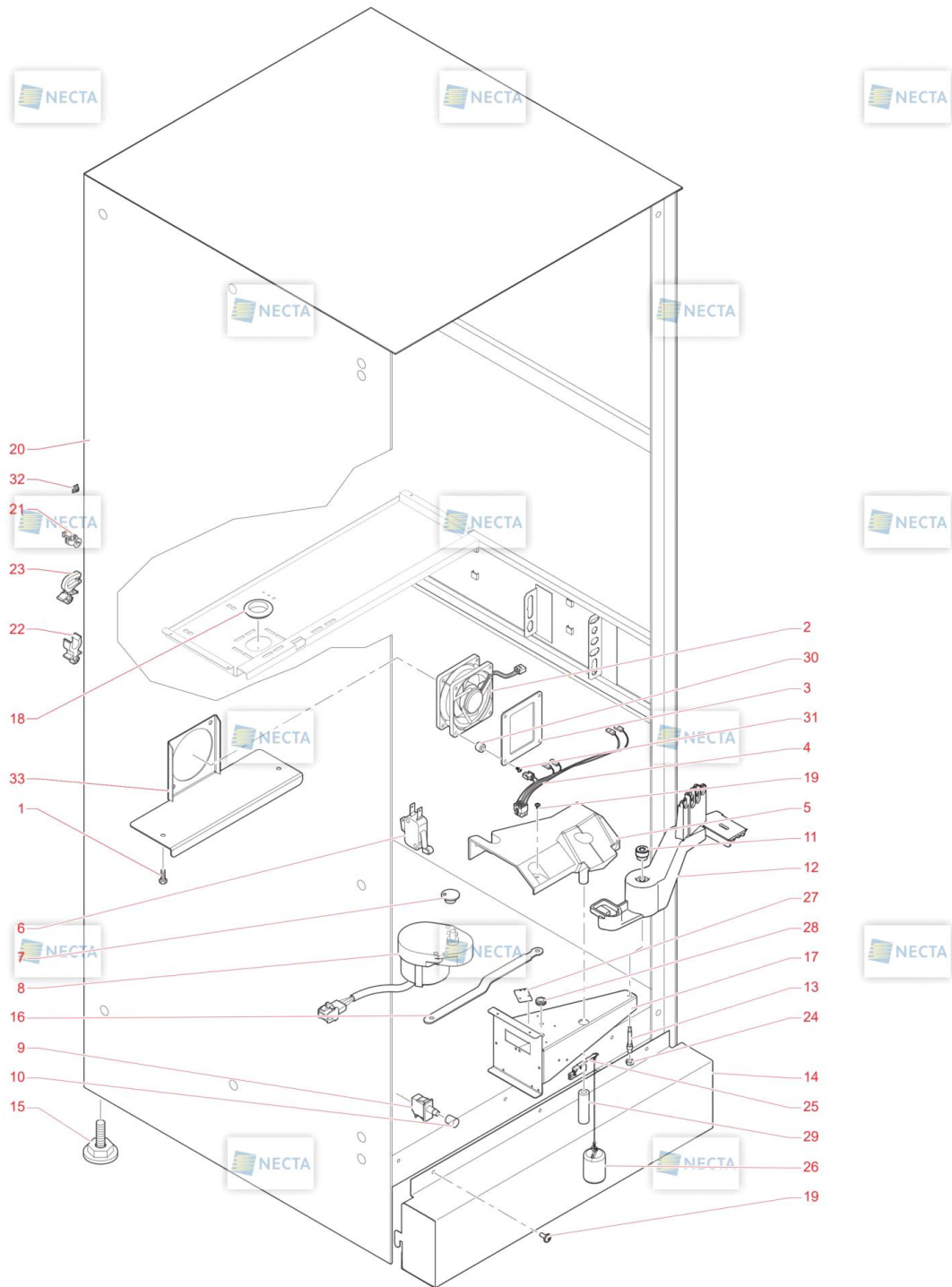


Pos.	Item	Repl. by	Description	Notes	Price (USD)
0001	0V2081		LAMP PROTECTION		
0002	255937		SCREW M4X14		
0003	255678		TOP FRAME - ME/OP/FE/JA/ SW/TW		
0004	259544		LOGO PLATE OPERA		
0005	255681		NOTE LOADER PLATE-OP/TA/ JA/SW		
0006	251515		ADHESIVE SEAL (A METER)		
0007	256609		DISPLAY SUPPORT - STD COIN SLOT -CHUTE-		
0008	0V4264		COIN RETURN BUTTON - BLACK		
0009	257266		PLATE SUPPORT		
0010	257270		COIN SLOT MOULDING - OPERA		
0011	257267		INST. POCKET - OP/FE/TA/JA/ SW		
0012	261138		13 TOUCH ASSEMBLY		
0013	255833		CENTRAL DOOR FRAME		
0014	261955		BOTTOM PHOTO PANEL - ELEMENTS-		
0014	266277		LOWER PHOTOGRAPHIC PANEL -SHAPES-		
0015	255804		CLEAR BOTTOM PANEL		
0016	255796		BOTTOM DOOR FRAME		
0017	264080		LED STRIP -330MM-		
0018	0V3367		PRICE PLATE - EURO 0,01-		
0018	255683		INSTRUCTION PLATE - SW/TW		
0019	261058		INTERFACE COIN INTRO.- CHUTE-		
0020	255027		SELF-TAPPING SCREW 3,9X6,5		
0021	255034		SELF TAPPING SCREW - M4X12		
0022	259492		BANKNOTE SUPPORT BRACKET		
0023	255680		COIN RETURN FRAME - ALL M/ C		
0024	264076		LOWER LED PANEL ASSEMBLY		
0025	093312		WHIPPING DIAMMM 12 ART 46		
0026	261954		TOP PHOTO PANEL - ELEMENTS-		
0026	266276		UPPER PHOTOGRAPHIC PANEL -SHAPES-		
0027	265599		DOOR FRAME		

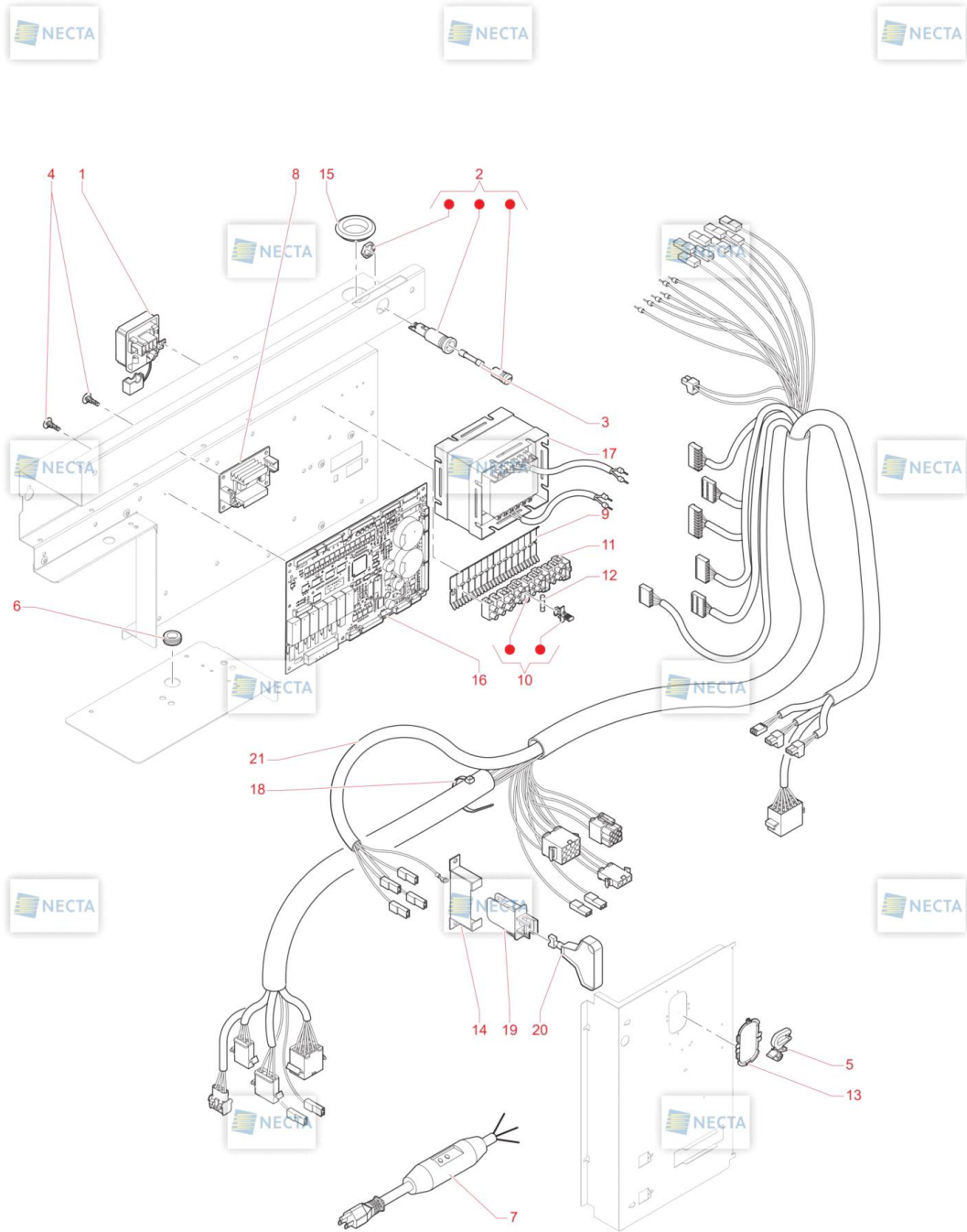


Pos.	Item	Repl. by	Description	Notes	Price (USD)
0001	0V3675		LEFT DOOR HINGE		
0002	0V3674		RIGHT DOOR HINGE		
0003	257276		ASSEMBLY COIN BOX		
0004	264737		COIN MECHANISM SUPPORT		
0005	0V2284		VEND COUNTER **		
0006	0V2047		LOCK ROD SPACER		
0007	255770		DOOR CLOSURE ROD		
0008	0V3646		DOOR SWITCH ACTUATOR		
0009	257325		CLIP FOR COIN CHUTE		
0010	0V3703		SLIDER GUIDE		
0011	258883		RIELDA ANTI-TAMPER LOCK		
0012	0V4217		LOCK LATCH BOLT		
0013	250494		CLOSING PIN - SF/SN/OP/MA		
0014	255782		HATCH BRAKE		
0015	255800		DISPENSING COMPARTMENT DOOR		
0016	097455		MONEY RETURN SHUTTER BRACKET		
0017	093891		SHUTTER PIVOT		
0018	093890		COIN RETURN FLAP - ALL M/C		
0019	250182		MAGNET		
0020	0V3652		COIN BOX HANDLE		
0021	098551		BOLT		
0022	256404		ENDPIECE COIN SLOT CHUTE		
0023	091703		SELF-BLOCKING NUT M4		
0024	0V3659		HANDLE		
0025	0V4263		BLACK COIN RETURN CHUTE		
0026	0V3708		COIN CASHING CHUTE		
0027	0V3648		COIN MECHANISM STOP		
0028	0V3704		COIN RETURN LEVER		
0029	987839		RETURN SPRING		
0030	0V3706		LEVER SUPPORT		
0031	266090		CPU CARD -NO GIGABIT PORT		
0032	256163		CAP -BLACK-		
0033	256059		COIN DEVIATOR		
0034	261130		SUPPORT CARD		
0035	256010		COIN INSERT LEVER		
0036	093916		WHIPPING OVAL		
0037	264078		DOOR WIRING		
0038	256526		ASSY. COVER COIN BOX		
0039	256611		PLATE CHANGE LEVER		
0040	256405		CHUTE COIN SLOT-SLIDE VERS.-		
0041	258705		COIN CHUTE SUPPORT		
0042	090148		CLIP		
0043	090020		WHIPPING MM 16		
0044	259465		LOCK SUPPORT		
0045	261238		POWER SUPPLY - LS/LB/OT		
0046	261292		WIFI/BLUETOOTH AERIAL		
0047	255491		WASHER 4.3X12		
0048	255829		RIELDA ANTI-TAMPER LOCK - RS1-		
0049	091959		BENZING COLLAR DIAM 4MM		

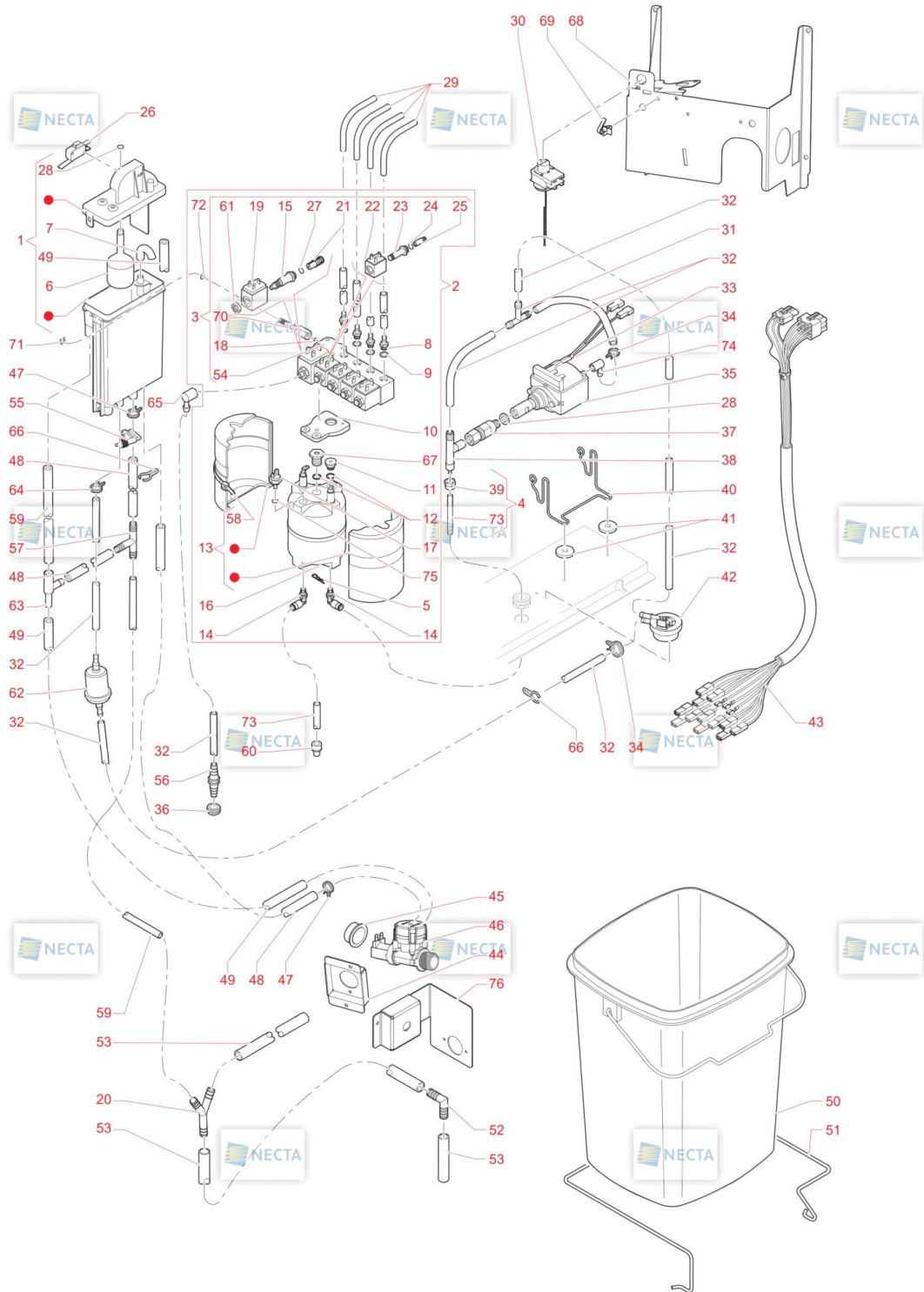
Pos.	Item	Repl. by	Description	Notes	Price (USD)
0050	255028		HINGE SCREW - SN/ KAR/7100/9100		
0051	259222		SCREW M6X20		
0052	259223		TOOTHED WASHER		
0053	261135		WIRING POWER SUPPLY		
0054	258703		COUNTERSUNK HEAD SCREW M4X10		
0055	098833		BUFFER		
0056	255724		SELF-TAPPING SCREW 4X8		
0057	261136		WIRING UPPER EXTENSION LED		
0058	261131		SHIM		
0059	264067		DOOR RETARDER SUPPORT		
0060	262528		BOX COVER		
0061	265618		USB EXTENSION CABLE -100CM-		
0062	265617		USB DONGLE		
0063	256612		COIN SLOT CHUTE ASSY.		
0064	256613		CHANGE ASSY. WITH CHUTE		



Pos.	Item	Repl. by	Description	Notes	Price (USD)
0001	255724		SELF-TAPPING SCREW 4X8		
0002	252460		FAN - BRIO 3/KREA/KAR/CAN		
0003	253997		FAN ADHESIVE SEAL		
0004	255814		NOZZLE ASSY WIRING		
0005	255779		NOZZLE MOVEMENT COVER		
0006	252585		MICROSWITCH		
0007	251519		CRANK		
0008	255820		NOZZLE MOTOR - OPERA		
0009	988070		DOOR CONTACT SWITCH		
0010	250162		PLUG		
0011	093828		KNURL		
0012	0V4226		NOZZLE TRANSLATOR ARM - AS/OP		
0013	0V3655		ARM ROTATION PIN		
0014	255830		KICKPLATE - OPERA		
0015	252124		FEET X 4-ALL FREESTANDING M/C		
0016	255769		NOZZLE MOVEMENT ROD		
0017	264066		NOZZLE HANDLING SUPPORT		
0018	098600		CHOCK		
0019	255028		HINGE SCREW - SN/ KAR/7100/9100		
0020	264720		GREY CABINET VERS. ES-2ES-		
0021	252968		CABLE RETAINER		
0022	098484		HOSE FIXING		
0023	098459		WIRE-CLIP		
0024	259498		M8 HEX NUT		
0025	0V1931		MICROSWITCH 'UL'		
0026	094294		FLOAT AND CHAIN - ALL M/C		
0027	090681		INSULATING DISK		
0028	093312		WHIPPING DIAM MM 12 ART 46		
0029	258569		BLACK SILICONE TUBE 15X20-22CM-		
0030	259397		SHIM		
0031	987610		EJOT-PT-SCREW 50X16		
0032	094111		INSULATING DOLLY BLOCK		
0033	261625		FAN SUPPORT		

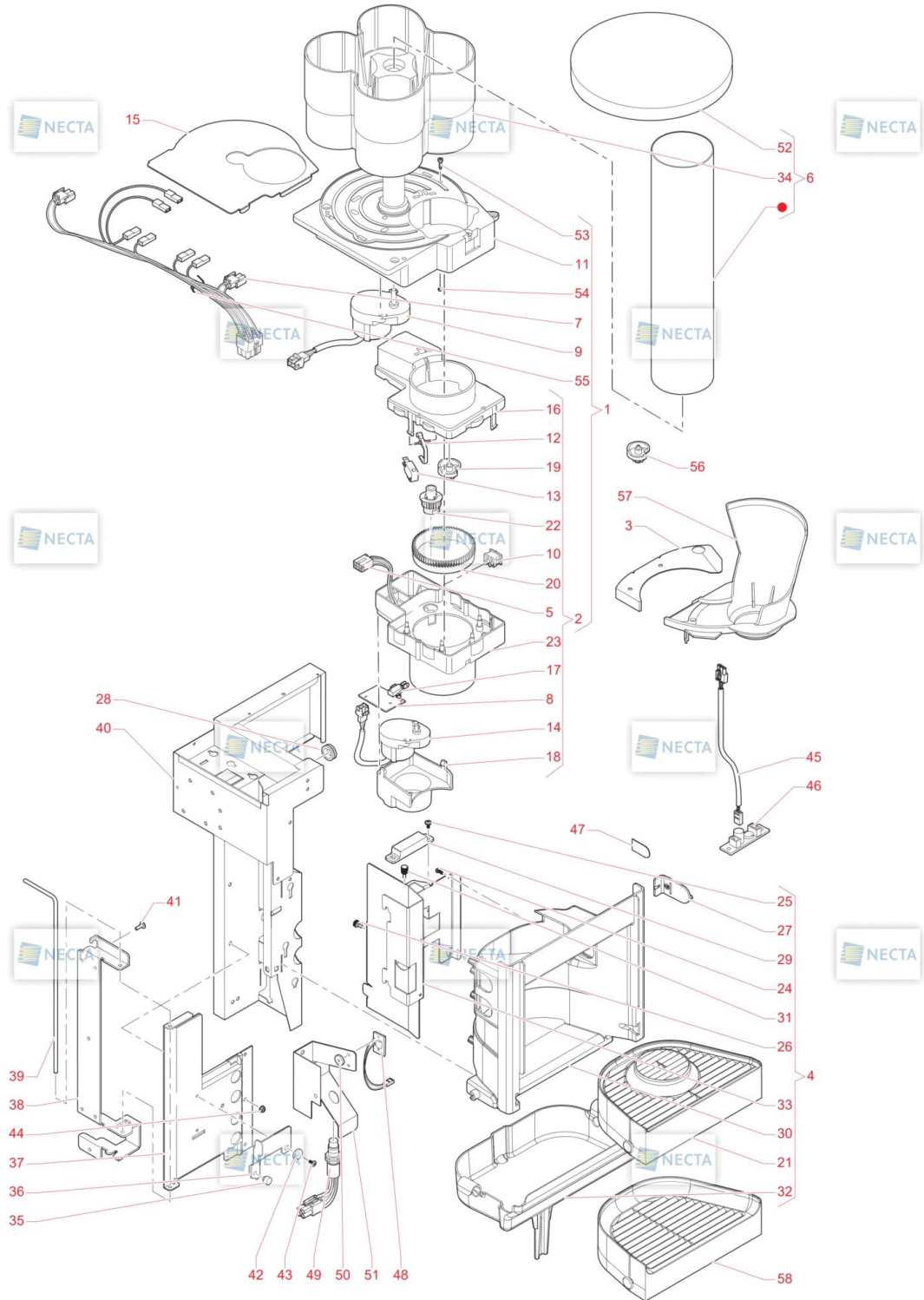


Pos.	Item	Repl. by	Description	Notes	Price (USD)
0001	098796		TERMINAL BOARD		
0002	254852		FUSE HOLDER - SA/CA/KR/LR/MA		
0003	095636		FUSE 15 A		
0004	097175		CARD SPACER		
0005	098459		WIRE-CLIP		
0006	093312		WHIPPING DIAMMM 12 ART 46		
0007	265661		POWER CABLE 3X14 AWG USA UL		
0008	0V2143		BOILER CONTROL BOARD - ALL M/C		
0009	097242		SUB-TERMINAL BOARD		
0010	097241		3-POLE TERMINAL - ALL M/C		
0011	098793		5P TERMINAL BOARD WITH FUSE-HOLDER		
0012	097097		FUSE 2 AMP.5X20 DELAYED ACT		
0012	098170		FUSE T6 - 3AMP		
0013	255494		WIRING PROTECTION		
0014	254850		SWITCH HOLDER		
0015	098600		CHOCK		
0016	265403		ACTUATION BOARD - KR/OP		
0017	250679		TRANSFORMER		
0018	090148		CLIP		
0019	097796		ISOLATION SWITCH - ALL M/C		
0020	0V1654		ISOLATION KEY - NECTA RANGE		
0021	255809		GENERAL WIRING -ES-		



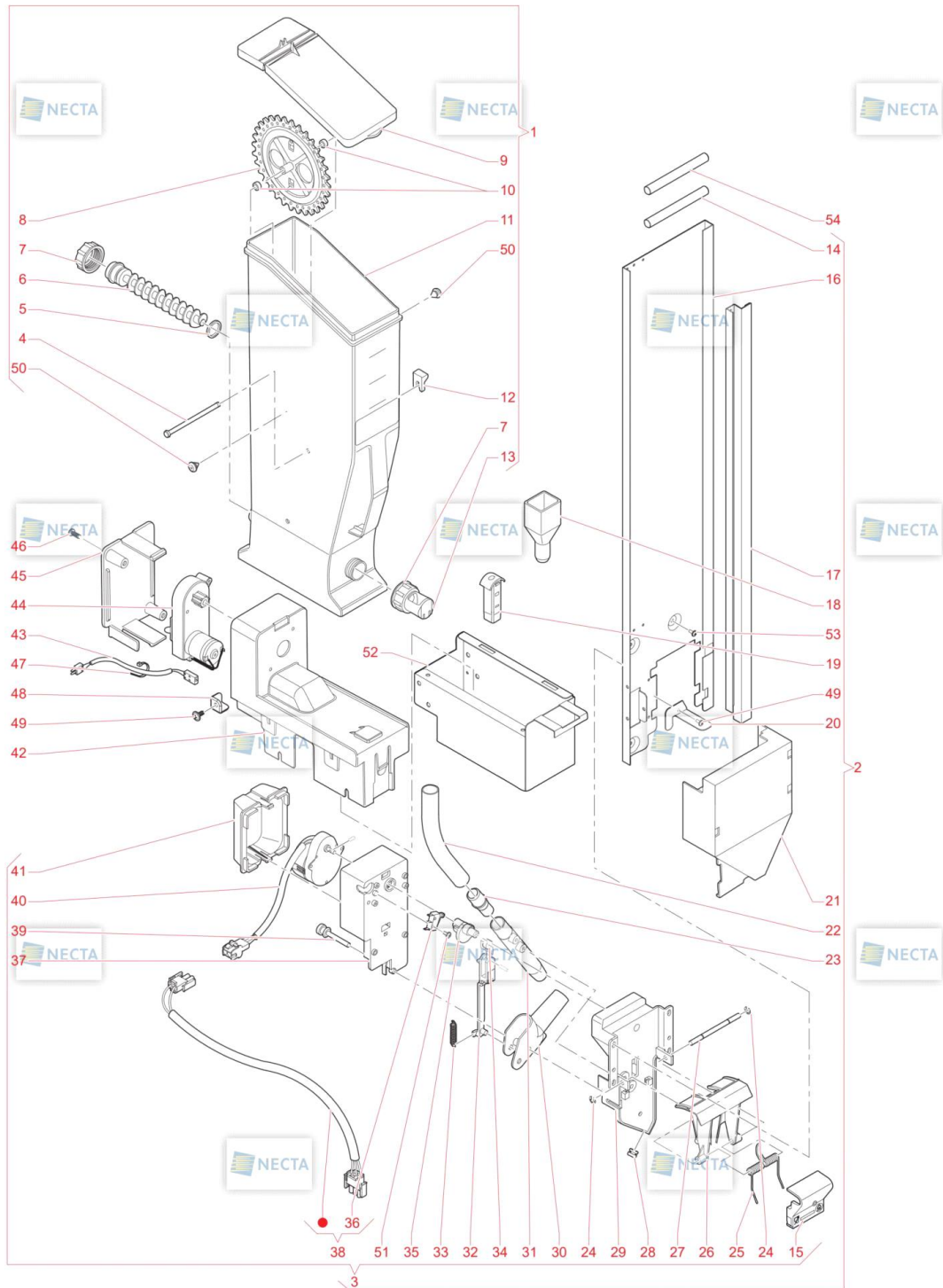
Pos.	Item	Repl. by	Description	Notes	Price (USD)
0001	259777		AIR BREAK ASSY - 9100/ KALEA		
0002	261351		5 SOL.VALVE ASSEMBLY 2+ 2+ 2+ 2+ 3-WAY-120V 60HZ - WELDED BOILER		
0003	259928		BOILER VALVE - OP/KR/KAL		
0004	250283		BOILER PIPE		
0005	258827		FASTENING CLIP		
0006	259796		AIR-BREAK TANK FLOAT		
0007	0V1749		AIR BREAK CONNECTOR - ALL M/C		
0008	099012		RUBBERHOLDER UNION		
0009	094594		GASKET O-RING 2031		
0010	255772		TOP PLATE - BOILER - KR/KA/ LR		
0011	261358		BOILER FITTING - OP/KAR/91/ LR		
0012	257077		O RING - FE/KAR/KO/OP/91		
0013	259864		BOILER INSULATION RIGHT/ LEFT		
0014	258904		6-1/8 L-SHAPED JOINT WITH O-RING		
0015	298093		COFFEE-ELECTROV. CONNECTION PIPE-HIGH PERFORMANCE-		
0016	257530		STEAM BOILER 500CC 1200W-120V		
0017	264671		TEMP. PROBE - FER/KAR/ OP/91/KAET-		
0018	257998		OR 2037 9.25X1.78		
0019	255571		LARGE COIL - KR/SO/OP/KA/ LR		
0020	093959		UNION Y-SHAPE DIAM 12 OUTER		
0021	097472		3-WAY ELECTROVALVE NUCLEUS -VITON-		
0022	257106		VALVE COIL - OP/9100/KR/SO/ LR		
0023	258874		2 WAY VALVE PIE - KR/CA/ LR/91		
0024	099059		VALVE-BUSH-GASKET		
0025	099058		NUCLEUS INSTANT-E.V.		
0026	0V1141		MICROSWITCH		
0027	298192		OR 2026 SEAL		
0028	0V0782		O RING - Z 4000 BREWER		
0029	097529		SILICONE HOSE 3X6 BROWN		
0030	262026		CAP. THERMOSTAT-FE/KA/ OP/9100		
0031	094231		UNION T-SHAPE - ALL M/C		
0032	097510		SILICONE HOSE 5X9 BROWN		
0033	098815		90 DEGREES THERMIC PROTECTION		
0034	094329		HOSE CLIP		
0035	251275		PUMP EP5 120V 60HZ PLASTIC -WHITE BODY-		
0036	39404001		CABLE GLAND DIA. 9		
0037	099101		NO-RETURN VALVE		
0038	098764		BY-PASS PUMP (12 BAR)		
0039	099107		NUT		
0040	0V0191		POMPE SUPPORT		
0041	093091		PUMP DAMPER		

Pos.	Item	Repl. by	Description	Notes	Price (USD)
0042	258625		VOL. CNTR D.1.8 -WHITE- OP/91E-		
0043	255816		BOILER WIRING-ES-		
0044	255446		WATER INLET ELECTROVALVE SUPPORT		
0045	099815		STOPPER		
0046	0V0469		ELECTROVALVE 2,5 L/M 110V		
0047	095515		HOSE CLIP DIAM 14		
0048	097685		SILICONE HOSE BROWN 7,5X12		
0049	097512		SILICONE HOSE 6X12 BROWN		
0050	254569		WASTE BUCKET - BLUE - ZE/ AS/OP		
0051	0V3653		LIQUID CONTAINER STOP		
0052	094571		UNION 90 DEGREES		
0053	093628		HOSE VIPLA TRANSPARENT DIAM MM14X1		
0054	260534		BASE PLATE WITH 5 SOLENOID INSERT-FOR WAND-		
0055	262530		PIPE CLAMP COLLAR		
0056	0V2058		BRACKET WATER CONNECTION		
0057	096552		UNION T-SHAPE		
0058	258915		39X5CM CLAMP		
0059	097515		SILICONE HOSE 10X16 BROWN		
0060	262537		FEMALE CAP D.6		
0061	259402		COIL FASTENING NUT		
0062	097435		WATER FILTER VOL. COUNTER		
0063	094185		CODENSE RECOVERY UNION		
0064	097002		HOSE CLIP		
0065	253698		VALVE PIPE-4.5-KRE/KOR/LR		
0066	093957		TUBE CLAMP		
0067	261357		BOILER CAP - KA/KR/LR/OP/ MA		
0068	259088		500CC BOILER SUPPORT		
0069	098165		WIRE-FIXING		
0070	254333		BOILER NOZZLE - KAR/KAL/LR		
0071	093171		OUTER FIXING COLLAR DIAM MM6		
0072	094611		BOILER GASKET - Z 2000		
0073	252658		TEFLON PIPE 3X6 (A METER)		
0074	252021		PIPETTE		
0075	11013173		OR ORM 0090-20 FKM 80 FD GREENPEROXIDA		
0076	265595		WATER INLET SV. SUPPORT- SELECTA-		



Pos.	Item	Repl. by	Description	Notes	Price (USD)
0001	265657		CUP DISPENSER ASSEMBLY 12OZ -120V-		
0002	252553		CUP RELEASING 80/81 -230V-		
0003	260397		CUP CHUTE COVER 12OZ		
0004	259828		RAISED DISPENSING COMPARTMENTASSEMBLY		
0005	252560		CUP RELEASING WIRING		
0006	252912		CUPS-CONTAINER-12OZ-		
0007	256008		12OZ CUP DISPENSER ASSY. WIRING		
0008	090681		INSULATING DISK		
0009	250229		1 RP/1,5M 120V REDUCTION GEARMOTOR		
0010	097807		BUTTON		
0011	252552		CUP BASE -12 OZ-		
0012	0V2548		MICROSWITCH LEVER - CUP DROP		
0013	092439		MICROSWITCH - CUP DROPPER		
0014	0V3031		120V 3 RPM REDUCTION GEARMOTOR		
0015	255859		CUP RELEASE PLATE		
0016	259930		RELEASE LID 12 OZ		
0017	096355		MICRO SWITCH -UL -		
0018	252556		MOTOR COVER		
0019	252557		SCROLL - 12OZ -		
0020	252559		TOOTHED RING -12 OZ-		
0021	258576		RAISED DISPENSING COMPARTMENTTRACK		
0022	252558		CUP SCROLL -12OZ-AS/CA		
0023	252554		LOWER SHELL -12 OZ-		
0024	255034		SELF TAPPING SCREW - M4X12		
0025	255028		HINGE SCREW - SN/ KAR/7100/9100		
0026	252948		KNURLED NUT		
0027	259273		ANTI-FOG GLASS SHEET		
0028	093916		WHIPPING OVAL		
0029	097508		LOCKING MAGNET - ALL M/C		
0030	256519		CUP SURROUND - OPERA		
0031	096977		KNURL		
0032	255781		DRIP TRAY - OPERA		
0033	259284		DISPENSING COMPARTMENT BACK SUPPORT		
0034	252551		CONTAINER BASE -12 OZ - CANTO *		
0035	092738		WEDGE BUMPER		
0036	0V3649		BRACKET LOCK-OUT LEVER		
0037	0V3685		DOUBLE HINGE		
0038	0V3641		HINGE SUPPORT		
0039	0V3654		FULCRUM PIN		
0040	0V3684		CUP STATION BRACKET		
0041	255029		SCREW M4X10		
0042	259148		SHIM		
0043	255725		SELF-TAPPING SCREW 3.9X13		
0044	255044		NUT M5		
0045	254050		DELIVERY AREA LAMP WIRING		
0046	253945		POWER SUPPLY PCB - CA/MA		

Pos.	Item	Repl. by	Description	Notes	Price (USD)
0047	254208		CATADIOPTIC PLATE - CANTO		
0048	254052		COMPARTMENT ILLUMINATION LED		
0049	258001		PHOTOCELL - CA/OP/MAE		
0050	093999		COVERING FASTENING SCREW WASHER		
0051	260544		COMPARTMENT PHOTOCELL SUPPORT		
0052	0V3658		CUP CONTAINER COVER *		
0053	259374		SCREW M4X45		
0054	259231		NUT M4 - GRIP - SIG/KR/SW/ TW		
0055	090148		CLIP		
0056	256247		CUP SCROLL - 12OZ - BROWN (D.INF.75)		
0057	252785		CUPS CHUTE -12 OZ -		
0058	255802		DISPENSING COMPARTMENT GRID		



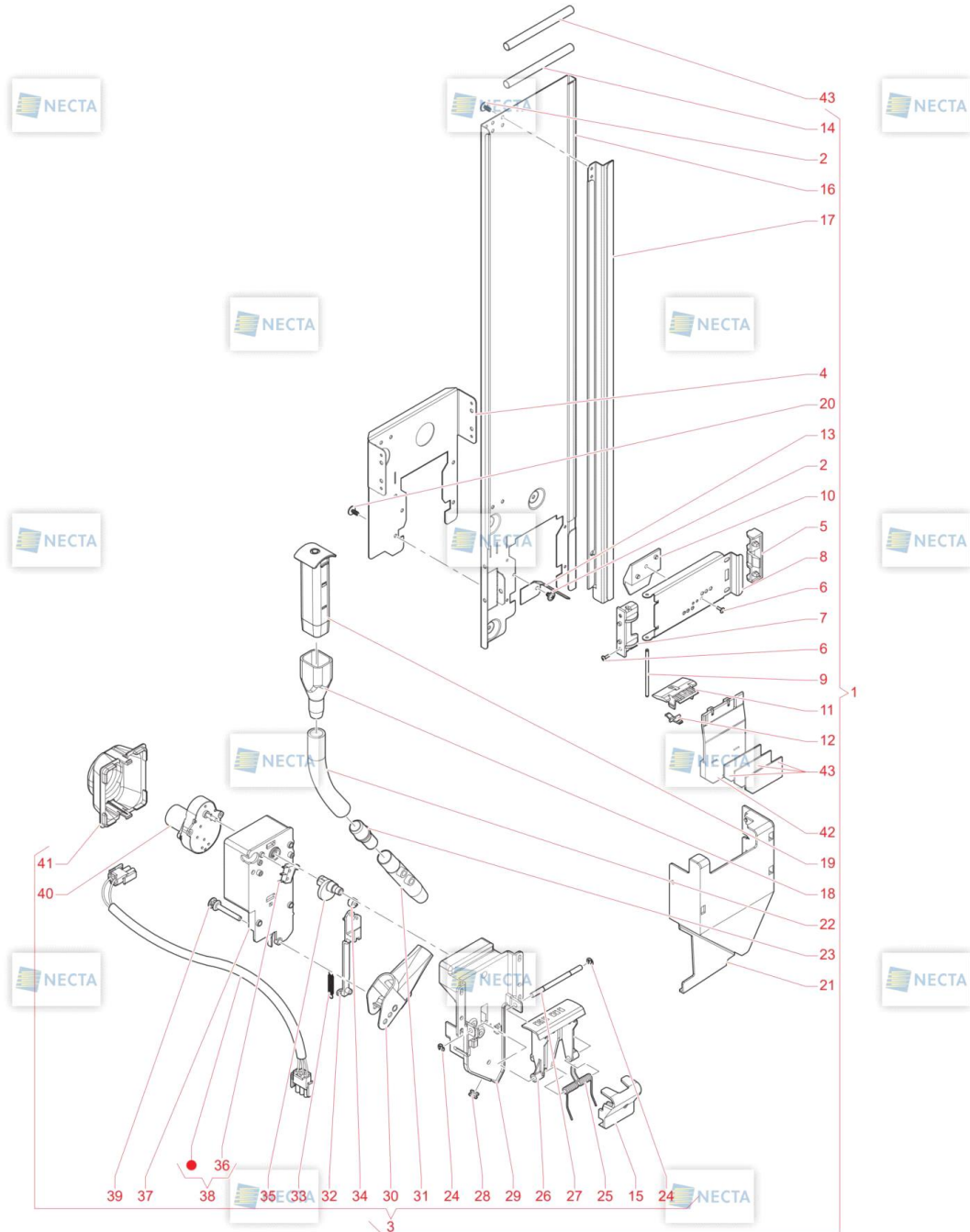
Pos.	Item	Repl. by	Description	Notes	Price (USD)
0001	255836		SUGAR CONTAINER 4.5L		
0002	260518	264981	SUGAR/STIRRER DISTRIBUTOR ASSEMBLY -12OZ - 115MM		
0003	260519		SUGAR/STIRRER DISTRIBUTOR UNITASSEMBLY - 12OZ -		
0004	254093		4.5L CONTAINER WHEEL PIVOT		
0005	257853		WASHER CONTAINER		
0006	254085		SCROLL PITCH 30		
0007	254090		CONTAINER RING NUT		
0008	254087		TOOTHED WHEEL		
0009	254583		SUGAR CONTAINER COVER 4.5L		
0010	254094		SPACER		
0011	254562		SUGER CONTAINER CASING		
0012	254089		PIN STOP		
0013	254086		POWDER PIPETTE		
0014	252034		115 MM STIRRER BAR WEIGHT		
0015	260817		SPRING PROTECTION		
0016	251977		STIRRER CLOUMN		
0017	251982		STIRRER ROD		
0018	255788		CUP STATION SUGAR PIPETTE		
0019	253994		CENTRAL CONVEYOR -105MM-		
0020	0V3830		STIRRING GUIDE SQUARE		
0021	0V3022		STIRRER CHUTE		
0022	098719		PVC PIPE 14X19(A METER)		
0023	099375		HOSE COUPLING		
0024	091959		BENZING COLLAR DIAM 4MM		
0025	099602		SPRING		
0026	099610		LEVER		
0027	098352		STIRRING BARS EJECTING PIN		
0028	098853		PASS-WIRE		
0029	099607		BODY		
0030	253854		SUGAR NOZZLE-VERS.12OZ -		
0031	098356		SUGAR PIPE		
0032	099605		ROD		
0033	099616		SPRING		
0034	099604		ROLLER		
0035	099606		CAM		
0036	096355		MICRO SWITCH -UL -		
0037	099608		SUPPORT		
0038	255815		STICK DISTRIBUTOR WIRING		
0039	0V2949		SUGAR SPOUT PIN		
0040	255314		STIRRERS REDUCING GEAR		
0041	255778		SUGAR RELEASE MOTOR COVER		
0042	254535		CONTAINER SHELF		
0043	254550		SUGAR DOSING UNIT WIRING		
0044	254553		RATIOMOTOR		
0045	254545		MOTOR HOUSING COVER		
0046	259058		SELF-TAPPING SCREW 4X16		
0047	090148		CLIP		
0048	255598		EDGE PROTECTION		
0049	255028		HINGE SCREW - SN/ KAR/7100/9100		

Pos.	Item	Repl. by	Description	Notes	Price (USD)
0050	257518		CAP CONTAINER		
0051	258942		2.2X13 SELF-TAPPING SCREW		
0052	264195		SUGAR SHELF SUPPORT		
0053	255027		SELF-TAPPING SCREW 3,9X6,5		
0054	099720		STIRRER BAR WEIGHT L= 105		

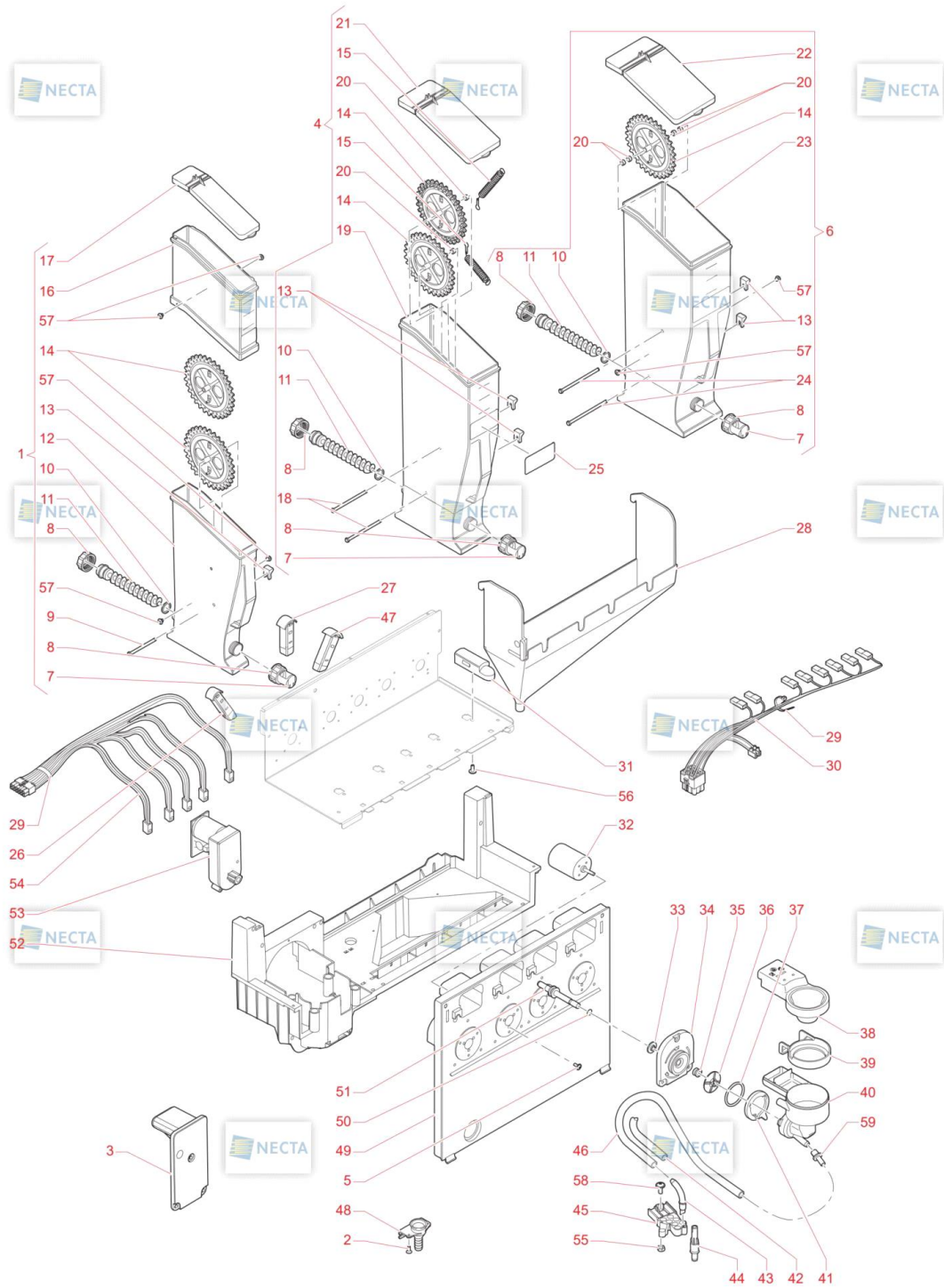


OPERA TOUCH - 120V 60HZ

Sugar and BIO spoons dispenser

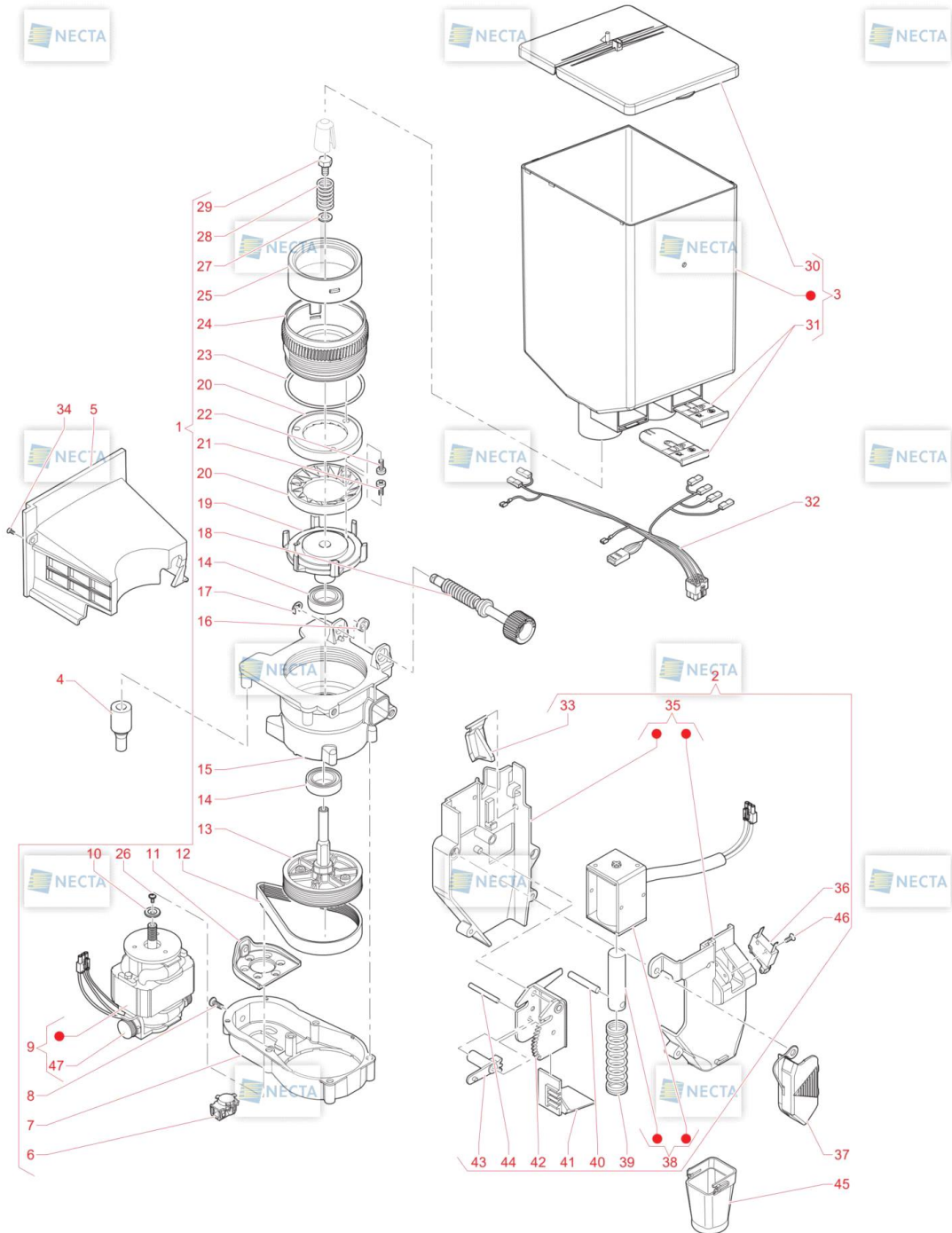


Pos.	Item	Repl. by	Description	Notes	Price (USD)
0001	264981		SUGAR DISTRIBUTOR ASSISTANCE-WOOD PALETTE		
0002	255027		SELF-TAPPING SCREW 3,9X6,5		
0003	264992		SUGAR BODY / BIO PALETTE ASSEMBLY-24V-		
0004	264987		BIO PALETTE SHEETER SUPPORT		
0005	264844		SHEETER FIXING		
0006	987628		EJOT-PT-SCREW 3X8		
0007	264845		FIXING THE SHEETER COVER		
0008	264988		BIO PALETTE SHEETER COVER		
0009	264990		DOUBLE COVER PIN		
0010	264846		PALETTE SHEETER		
0011	264848		PALETTE EJECTOR		
0012	264849		PADDLE RELEASE LEVER		
0013	264989		90MM BIO SHOVEL CONVEYOR BRACKET		
0014	252034		115 MM STIRRER BAR WEIGHT		
0015	260817		SPRING PROTECTION		
0016	251977		STIRRER CLOUMN		
0017	251982		STIRRER ROD		
0018	255788		CUP STATION SUGAR PIPETTE		
0019	253994		CENTRAL CONVEYOR -105MM-		
0020	255028		HINGE SCREW - SN/ KAR/7100/9100		
0021	0V3022		STIRRER CHUTE		
0022	098719		PVC PIPE 14X19(A METER)		
0023	099375		HOSE COUPLING		
0024	091959		BENZING COLLAR DIAM 4MM		
0025	099602		SPRING		
0026	264847		BIO PALETTE EJECTOR LEVER		
0027	098352		STIRRING BARS EJECTING PIN		
0028	098853		PASS-WIRE		
0029	099607		BODY		
0030	253854		SUGAR NOZZLE-VERS.12OZ -		
0031	098356		SUGAR PIPE		
0032	099605		ROD		
0033	099616		SPRING		
0034	099604		ROLLER		
0035	099606		CAM		
0036	096355		MICRO SWITCH -UL -		
0037	099608		SUPPORT		
0038	255815		STICK DISTRIBUTOR WIRING		
0039	0V2949		SUGAR SPOUT PIN		
0040	255314		STIRRERS REDUCING GEAR		
0041	255778		SUGAR RELEASE MOTOR COVER		
0042	264850		CURTAIN PALETTE		
0043	264986		BIO PALETTE WEIGHT		

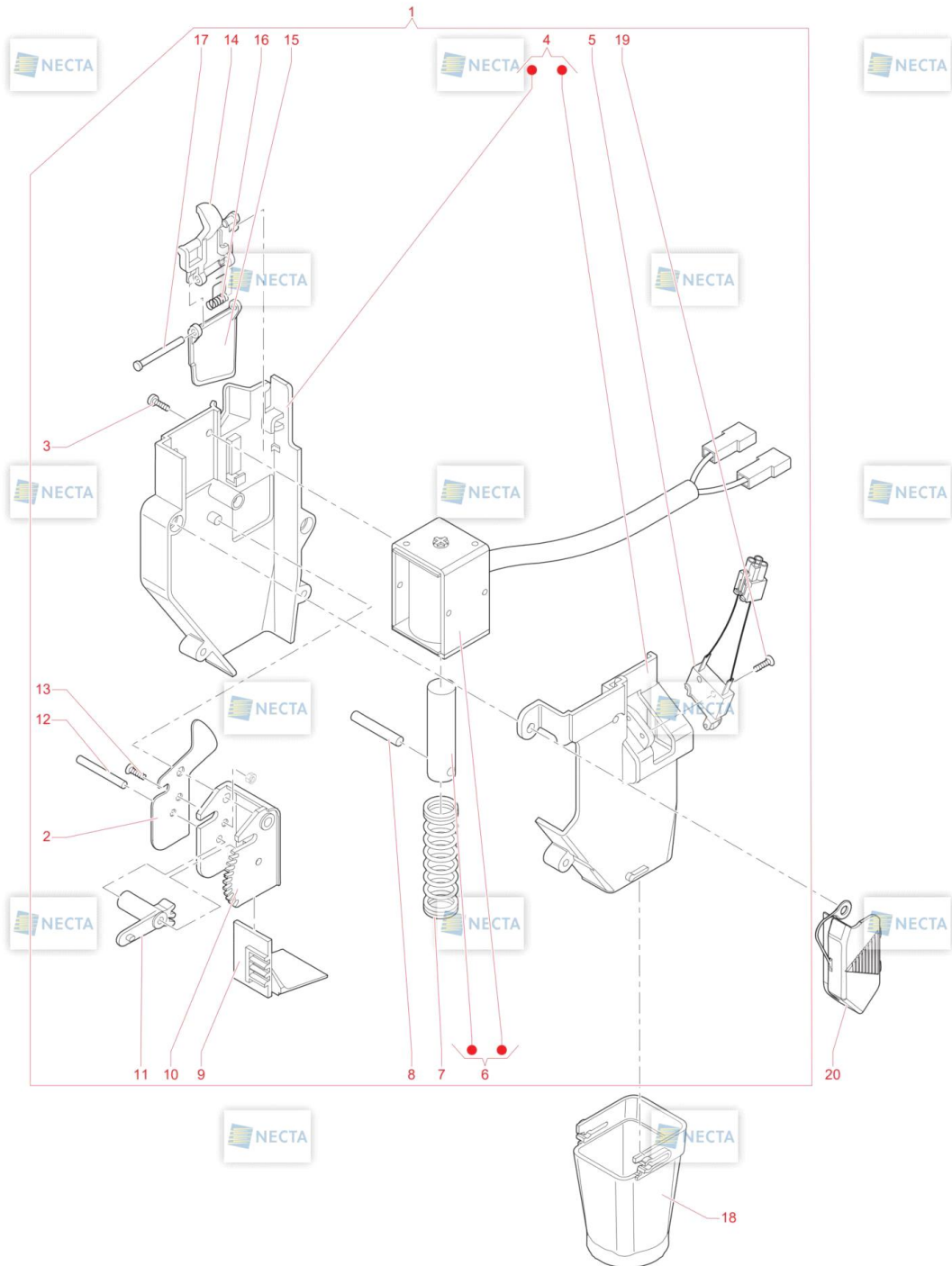


Pos.	Item	Repl. by	Description	Notes	Price (USD)
0001	254073		2.5L CANISTER -1 WHEEL-		
0002	255028		HINGE SCREW - SN/ KAR/7100/9100		
0003	254001		MIXER PLUG		
0004	254215		4.5L CANISTER -2 WHEELS-2 SPRINGS-		
0005	261068		SCREW M4X7 - WHIPPER MOTOR		
0006	254214		6L CANISTER -1 WHEEL-		
0007	254086		POWDER PIPETTE		
0008	254090		CONTAINER RING NUT		
0009	254088		2.5L CONTAINER WHEEL PIVOT		
0010	257853		WASHER CONTAINER		
0011	254085		SCROLL PITCH 30		
0012	254082		2.5L LOWER CONTAINER CASING		
0013	254089		PIN STOP		
0014	254087		TOOTHED WHEEL		
0015	254419		BEATER SPRING		
0016	254084		2.5L UPPER CONTAINER CASING		
0017	254083		LID FOR 2.5L CONTAINER		
0018	254093		4.5L CONTAINER WHEEL PIVOT		
0019	254091		4.5L CONTAINER CASING		
0020	254094		SPACER		
0021	254092		LID FOR 4.5L CONTAINER		
0022	254096		LID FOR 6L CONTAINER		
0023	254095		6L CONTAINER CASING		
0024	254097		6L CONTAINER WHEEL PIVOT		
0025	097502		CANNISTER LABEL - ALL M/C		
0026	253995		RIGHT POWDER FEEDER L= 120MM		
0027	253994		CENTRAL CONVEYOR -105MM-		
0028	255780		MIXER BOWL		
0029	090148		CLIP		
0030	257704		WIRING BEATER WITH SHIELD		
0031	254719		HEATED CONTAINER STOP		
0032	259398		WHIPPER MOTOR - KR/OP		
0033	39733800		O RING - 7100/FER/9100		
0034	255821		MIXER FLANGE		
0035	259612		V RING - 5100/7100/KR/CA/OP		
0036	253991		MIXER WHEEL - CA/KR/SO/KR/ OP		
0037	253985		GASKET OR 3137		
0038	255792		MIXER COVER		
0039	255284		MIXER RING		
0040	255791		MIXER BODY		
0041	253998		MIXER RING NUT - CA/KR/SO/ KR		
0042	254566		SILICONE HOSE 3X6 -BLUE-		
0043	254822		BLUE NOZZLE - CAN/MAE/OPE		
0044	254400		BLUE COFFEE DISPENSING SPOUT		
0045	250163		SPOUT SUPPORT - AS/CA/OP		
0046	254565		SILICONE HOSE 5X9 -BLUE-		

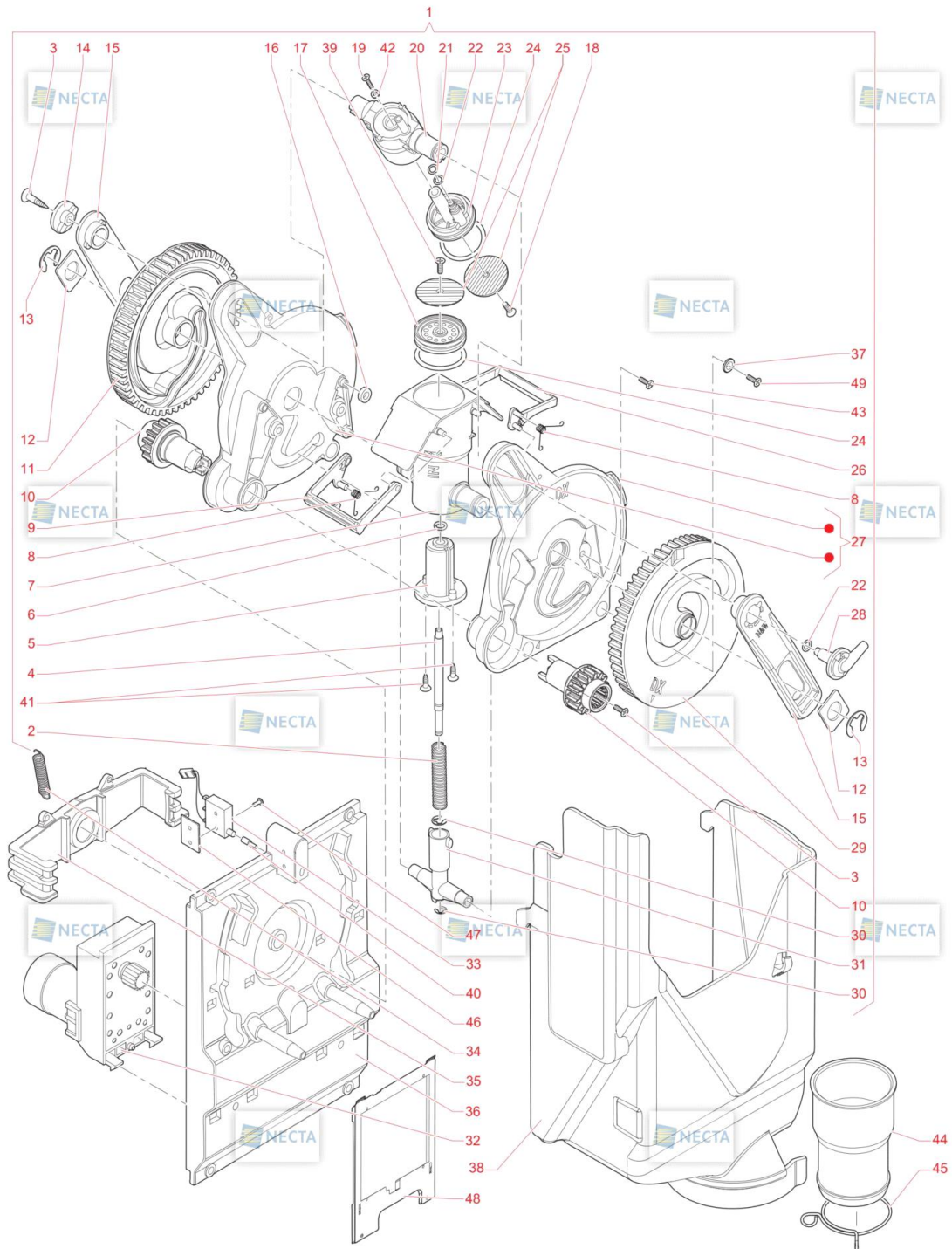
Pos.	Item	Repl. by	Description	Notes	Price (USD)
0047	253996		LEFT POWDER FEEDER L= 120MM		
0048	250468		TRAY FUNNEL		
0049	255793		MIXER FRONT PLATE		
0050	094611		BOILER GASKET - Z2000		
0051	255787		MIXER NOZZLE D= 2.3 9-11CC		
0052	255794		GRINDER -CONTAINER SUPPORT		
0053	254058		DOSER MOTOR - CA/KR/SO/OP		
0054	255811		DOSER WIRING -ES-		
0055	096094		NUT		
0056	255724		SELF-TAPPING SCREW 4X8		
0057	257518		CAP CONTAINER		
0058	259321		HEXAGON SOCKET HEAD CAP SCREWM4X8		
0059	253267		MIXER NOZZLE - KO/SOL/KRE		



Pos.	Item	Repl. by	Description	Notes	Price (USD)
0001	256140		ANTICLOCKWISE GRINDER STD.-120V 60HZ		
0002	0V2700		COFFEE DOSER 110V-60HZ		
0003	0V3681		COFFEE CONTAINER - OPERA		
0004	099484		LITTLE RUBBER		
0005	255786		GRINDER MOTOR COVER		
0006	251778		FEELER BOARD - KO/71/SO/ OP/91		
0007	298147		REDUCER BODY		
0008	298143		SCREW M5X16		
0009	256138		ANTICLOCKWISE BELT GRINDER MOTOR-120V 60HZ		
0010	255491		WASHER 4.3X12		
0011	298144		BELT SLIDE		
0012	298152		GRINDER BELT - CA/KR/ OP/91/LR		
0013	298151		PULLEY ASSEMBLY - GRINDER		
0014	298155		RADIAL BEARING - ALL M/C		
0015	298148		GRINDER CAP -1 COFFEE-		
0016	099457		RUBBER WASHER GRINDER - 9100		
0017	093171		OUTER FIXING COLLAR DIAM MM6		
0018	099474		REGULATION SCREW		
0019	298145		GRINDER-HOLDER FAN		
0020	095840		GRINDER BLADE - ALL M/C *		
0021	252917		SCREW -INOX-		
0022	252918		SCREW 4X10 -INOX-		
0023	095805		GASKET O-RING		
0024	298149		GRINDER HOLDER		
0025	298146		GRINDER COLLAR		
0026	257058		SCREW TSPC-H M3X6		
0027	252916		WASHER -INOX-		
0028	099471		SPRING		
0029	252378		LEFT-HAND SCREW THREAD		
0030	0V0421		COVER		
0031	098630		ROLL-UP FOR CONTAINER		
0032	255813		GRINDER WIRING -FASTON-		
0033	099475		ACTUATOR		
0034	255029		SCREW M4X10		
0035	251128		COFFEE DOSER-BODY		
0036	0V2131		BURGESS MICRO-SWITCH - FASTON-		
0037	254834		SIDE BATCHER LID		
0038	0V0468		ELECTROMAGNET 110V		
0039	098696		SPRING DOSER ELECTROMAGNET		
0040	093832		ROD PIVOT		
0041	098643		RULE COFFEE-DOSES		
0042	254427		SHUTTER COFFEE-DOSER + PLATE		
0043	253637		LEVER FOR RULE		
0044	098822		PIN FOR LEVER		
0045	254521		COFFEE CONVEYOR		
0046	264458		SELF TAPPING SCREW 2.2X11		
0047	261212		BRUSHES -UL-		



Pos.	Item	Repl. by	Description	Notes	Price (USD)
0001	253731		VARIABLE COFFEE DOSER-120V 60HZ-		
0002	253632		PLATE FOR COFFEE DOSER		
0003	092657		CLOSS SLOT SCREW 3X6TC		
0004	251128		COFFEE DOSER-BODY		
0005	0V2131		BURGESS MICRO-SWITCH - FASTON-		
0006	0V0468		ELECTROMAGNET 110V		
0007	098696		SPRING DOSER ELECTROMAGNET		
0008	093832		ROD PIVOT		
0009	098643		RULE COFFEE-DOSES		
0010	253636		SLIDER		
0011	253637		LEVER FOR RULE		
0012	098822		PIN FOR LEVER		
0013	255047		SCREW M3X10 -INOX-		
0014	253639		DOSER ACTUATOR SUPPORT		
0015	253638		MICRO-SWITCH ACTUATOR		
0016	253634		MICRO ACTUATOR SPRING		
0017	253635		MICRO ACTUATOR PIN		
0018	254521		COFFEE CONVEYOR		
0019	264458		SELF TAPPING SCREW 2.2X11		
0020	254834		SIDE BATCHER LID		



Pos.	Item	Repl. by	Description	Notes	Price (USD)
0001	255081		Z 4000 BREWER - CANTO/LR/MA		
0002	098688		PISTON RETURN SPRING - BREWER		
0003	255031		SELF-TAPPING SCREW 4,2X26		
0004	255082		PISTON ROD - 255081 - CANTO		
0005	254669		BOTTOM D.46		
0006	0V0782		O RING - Z 4000 BREWER		
0007	254668		BREWING CHAMBER D.46		
0008	254328		SCRAPER SPRING - Z 4000		
0009	254677		UPPER SCRAPER D.46		
0010	262496		PINION		
0011	254675		LEFT CRANK D.46		
0012	254654		GUIDE SLIDING BLOCK-Z 4000-LR		
0013	096569		FIXING COLLAR DIAM 12		
0014	254655		UPPER PISTON KEY		
0015	254665		CONNECTING ARM - BREWER		
0016	099457		RUBBER WASHER GRINDER - 9100		
0017	255083		LOWER PISTON MEDIUM		
0018	259503		SCREW M4X12 -STAINLESS STEEL-		
0019	256493		SCREW SELF-TAPPING 4X20		
0020	254671		UPPER PISTON CROSS-PIECE D.46		
0021	254650		GASKET - Z 4000		
0022	094611		BOILER GASKET - Z 2000		
0023	254672		UPPER PISTON D.46		
0024	251757		SILICONE OR SEAL GASKET		
0025	251755		COFFEE FILTER-DIA 42-Z 3/4000		
0026	254676		LOWER SCRAPER D.46		
0027	254678		RH-LH BREWER SUPPORT D.46		
0028	254795		COFFEE DISPENSING SPOUT-Z 4000		
0029	254674		RIGHT CRANK D.46 -Z 4000-BREWER		
0030	098818		STOPPING RING D.4		
0031	254670		PISTON ROD GUIDE D.46		
0032	254552		BREWER MOTOR - CA/KR/KAR/LR		
0033	298173		SWITCH & HARNESS - Z 4000		
0034	253220		LEVER SPRING - ALL M/C		
0035	254805		Z 4000 D.46 GROUP COUPLER		
0036	254804		Z 4000 D.46 INTERFACE PLATE		
0037	254667		RETAINER WASHER		
0038	254847		COVER Z 4000		
0039	261474		FILTER SCREW - M4X10 - Z 4000		
0040	255084		PIN - BREWER - Z 4000 - 9100/LR		
0041	259058		SELF-TAPPING SCREW 4X16		
0042	255491		WASHER 4.3X12		
0043	256198		SCREW AF MP TCBC-H-TZ 4.5X12		
0044	0V3698		USED DOSE DISCHARGE PIPE		

Pos.	Item	Repl. by	Description	Notes	Price (USD)
0045	094048		BAG LOCK COLLAR - AS/CA/MA		
0046	30448800		MICRO FASTENING PLATE 7100		
0047	09004002		SCREW M2X12		
0048	257030		PLATE Z 4000 BIG		
0049	264355		SCREW 4X16		