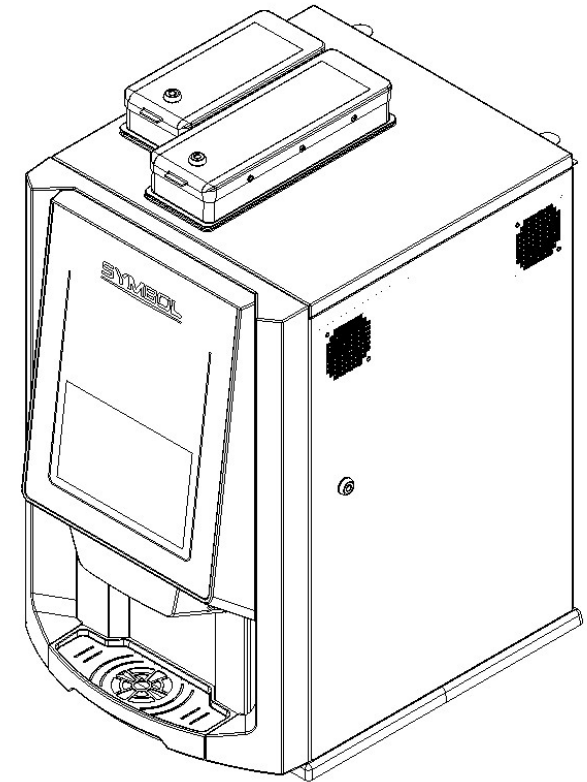
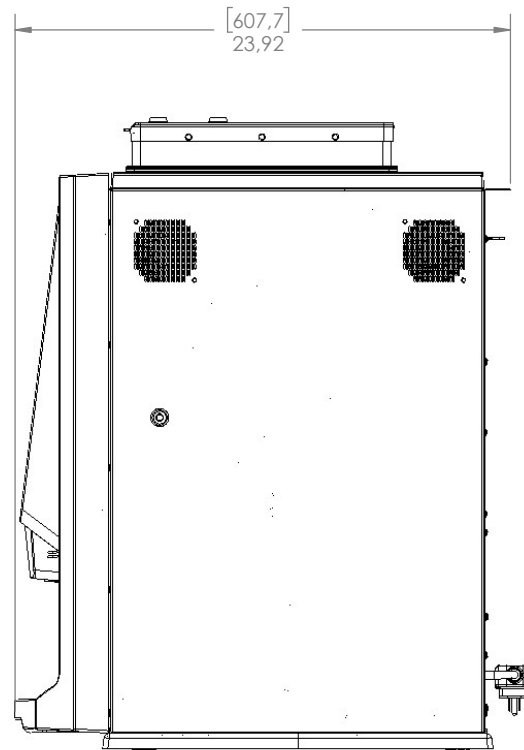
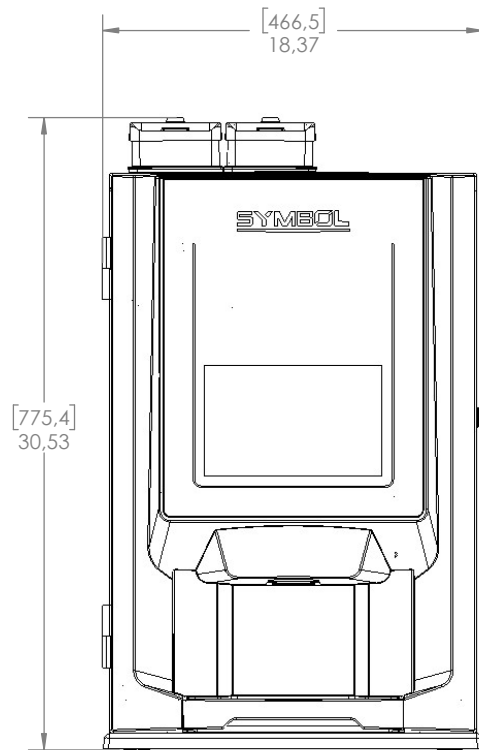
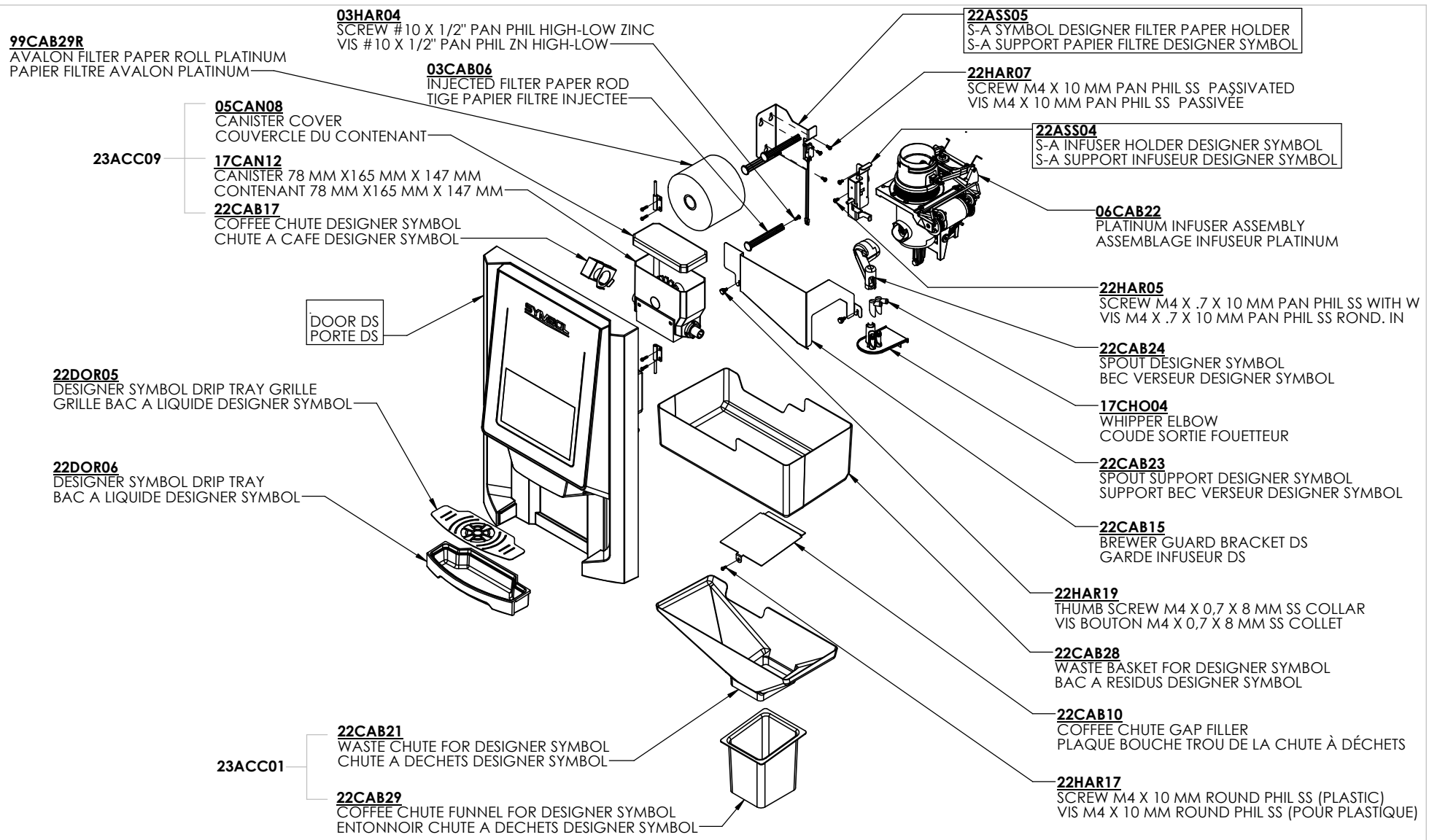


PARTS BOOK MANUEL DE PIÈCES DS2212



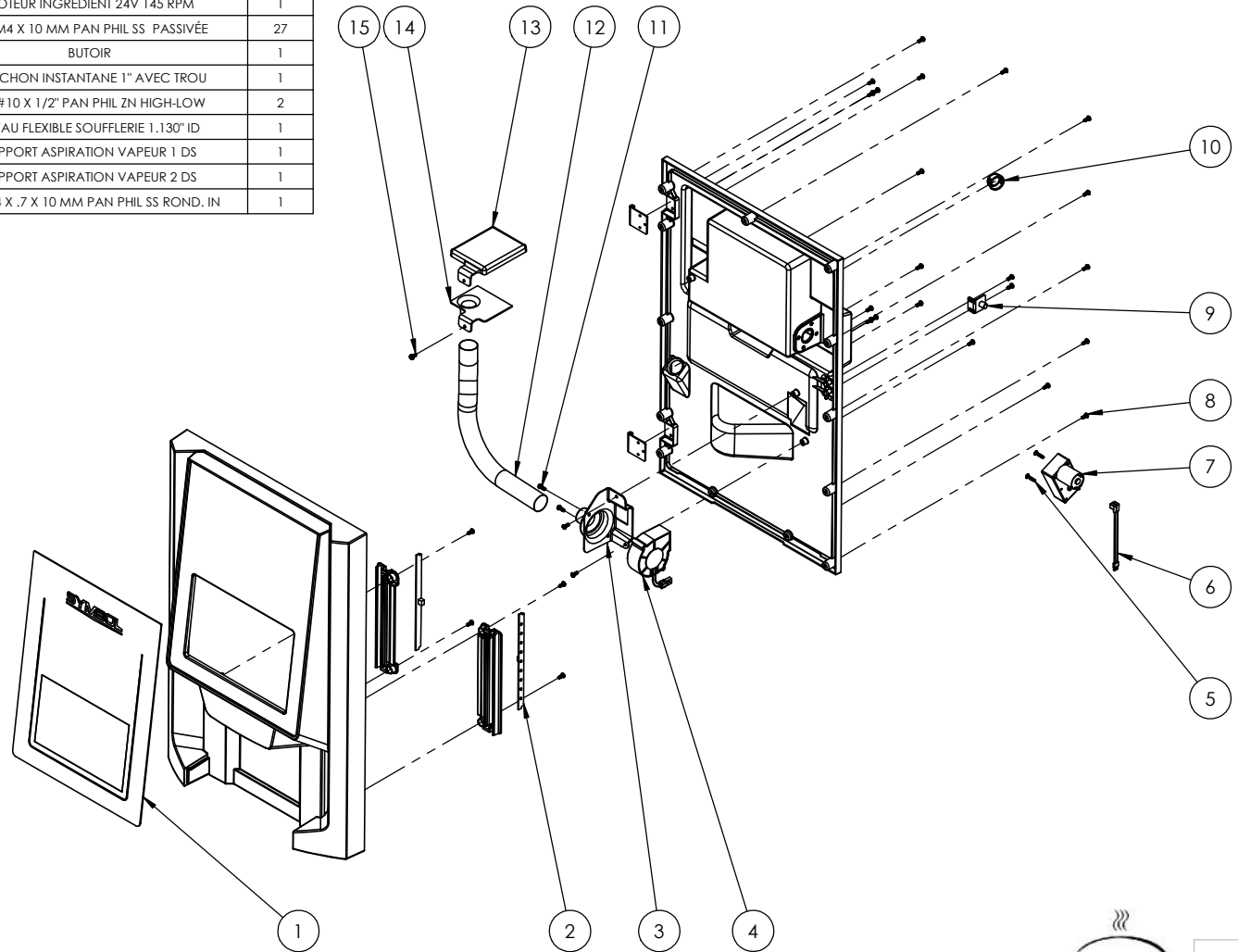
Coffee brewer's detailed parts reference manual.
Parts shown in this manual may not be individually available for purchase.

Manuel de référence des pièces de la cafetière.
Les pièces illustrées pourraient ne pas être vendues individuellement.



# ITEM	# PIECE	ENGLISH DESCRIPTION	DESCRIPTION FRANCAISE	QTY/QTE
1	22DOR09	WINDOW AND SCREEN DS	VITRE ET ECRAN DS	1
2	22ELN07	LEDS PCB DS	CIRCUIT LEDES DS	2
3	22CAB18	BLOWER CAGE DS	CAGE VENTILATION TURBINE DS	1
4	05ASS08	BLOWER S-A	S-A TURBINE	1
5	18HAR23	SCREW 6-19 X 3/4" TRUSS PHIL ZN HIGH-LOW	VIS 6-19 X 3/4" TRUSS PHIL ZN HIGH-LOW	2
6	22ELC22	COFFEE 3 MOTOR - CAM SWITCH HARNESS	CABLE MOTEUR CAFE 3 - CAM SWITCH DS	1
7	15MOT02	24V 145 RPM INGREDIENT MOTOR	MOTEUR INGREDIENT 24V 145 RPM	1
8	22HAR07	SCREW M4 X 10 MM PAN PHIL SS PASSIVATED	VIS M4 X 10 MM PAN PHIL SS PASSIVÉE	27
9	17CAB48	STOPPER PIN	BUTOIR	1
10	96HAR31	SNAP BUSHING 1" WITH HOLE	BOUCHON INSTANTANE 1" AVEC TROU	1
11	03HAR04	SCREW #10 X 1/2" PAN PHIL HIGH-LOW ZINC	VIS #10 X 1/2" PAN PHIL ZN HIGH-LOW	2
12	22TAN13	FLEXIBLE HOSE FOR BLOWER ID 1.130"	TUYAU FLEXIBLE SOUFFLERIE 1.130" ID	1
13	22DOR03	BLOWER CAGE 1 SUPPORT DS	SUPPORT ASPIRATION VAPEUR 1 DS	1
14	22DOR04	BLOWER CAGE 2 SUPPORT DS	SUPPORT ASPIRATION VAPEUR 2 DS	1
15	22HAR05	SCREW M4 X .7 X 10 MM PAN PHIL SS WITH W	VIS M4 X .7 X 10 MM PAN PHIL SS ROND. IN	1

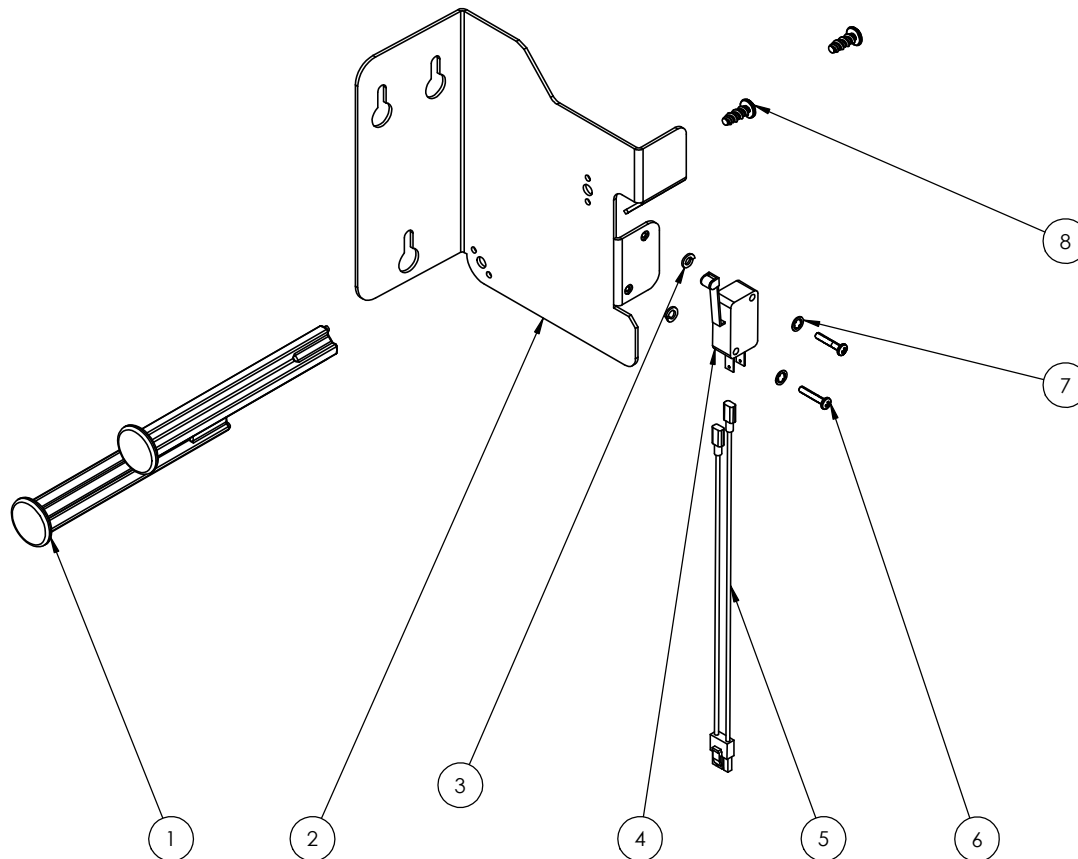
DOOR DS
PORTE DS



# ITEM	# PIECE	ENGLISH DESCRIPTION	DESCRIPTION FRANCAISE	QTY/QTE
1	03CAB06	INJECTED FILTER PAPER ROD	TIGE PAPIER FILTRE INJECTEE	2
2	22CAB08	FILTER PAPER HOLDER DESIGNER SYMBOL	SUPPORT PAPIER FILTRE DESIGNER SYMBOL	1
3	06HAR116	SPRING WASHER #6 SS	RONDELLE A RESSORT #6 SS	2
4	96ELC03	ROLLER SWITCH	INTERRUPTEUR A GALET	1
5	22ELC21	DS FILTER PAPER SWITCH CABLE	CABLE INTERRUPTEUR PAPIER DS	1
6	22HAR06	SCREW M2.5 X 0.45 X 14 MM PAN PHIL SS	VIS M2.5 X 0.45 X 14 MM PAN PHIL SS	2
7	96HAR04	TOOTH LOCKWASHER #4 (INTERNAL)	RONDELLE DE RETENUE #4 (INTERNE)	2
8	03HAR04	SCREW #10 X 1/2" PAN PHIL HIGH-LOW ZINC	VIS #10 X 1/2" PAN PHIL ZN HIGH-LOW	2

22ASS05

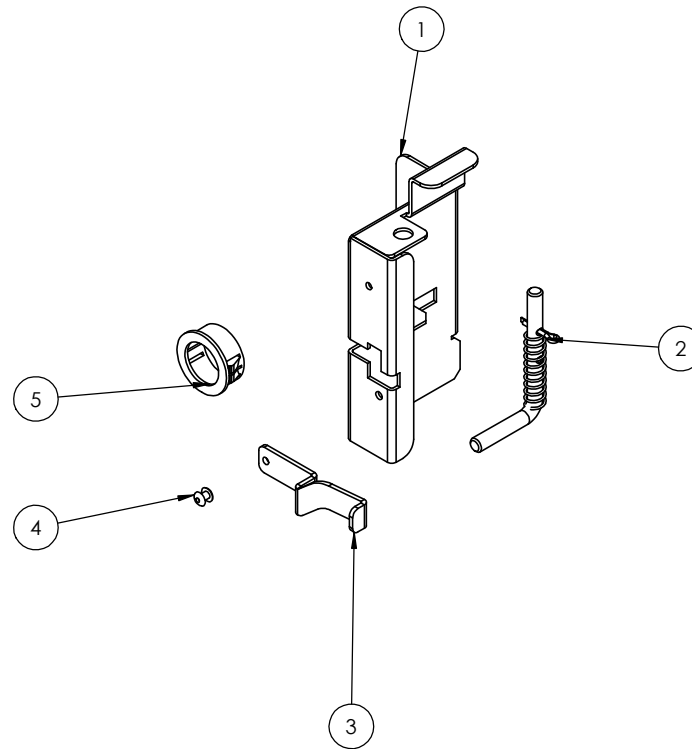
S-A SYMBOL DESIGN FILTER PAPER HOLDER
S-A SUPPORTE PAPIER FILTRE DESIGN SYMBOL



# ITEM	# PIECE	ENGLISH DESCRIPTION	DESCRIPTION FRANCAISE	QTY/QTE
1	22CAB09	BREWER BRACKET DESIGNER SYMBOL	SUPPORT INFUSEUR DESIGNER SYMBOL	1
2	96ASS03	SPRING LOCK S-A (BREWER BRACKET)	S-A LOQUET A RESSORT	1
3	17CAB54	SPOUT SUPPORT ENCORE 29	SOUTIEN BEC VERSEUR ENCORE 29	1
4	96HAR33	1/8" X 3/8" SS RIVET	RIVET 1/8" X 3/8" SS	1
5	96HAR31	SNAP BUSHING 1" WITH HOLE	BOUCHON INSTANTANE 1" AVEC TROU	1

22ASS04

S-A INFUSER HOLDER DESIGNER SYMBOL
S-A SUPPORT INFUSEUR DESIGN SYMBOL



COFFEE GRINDER GROUP
GROUPE MOULIN A CAFE

22HAR07
SCREW M4 X 10 MM PAN PHIL SS PASSIVATED
VIS M4 X 10 MM PAN PHIL SS PASSIVÉE

22CAB35
1ST GRINDER'S CHUTE DS
CHUTE MOULIN PRINCIPAL DS

22CAB37
GRINDER COVER FOR DESIGNER SYMBOL
COUVERCLE MOULIN A CAFE DESIGNER SYMBOL

22HAR05
SCREW M4 X .7 X 10 MM PAN PHIL SS WITH W
VIS M4 X .7 X 10 MM PAN PHIL SS ROND. IN

22CAB36
2ND GRINDER'S CHUTE DS
CHUTE DU 2E MOULIN DS

22CAB25
OVERFLOW TRAY DESIGNER SYMBOL
BAC DEBORDEMENT DESIGNER SYMBOL

96HAR11
SCREW 8-32 X 3/8" TRUSS PH SS
VIS 8-32 X 3/8" TRUSS PH SS

96HAR125
FLAT WASHER .265 X .500 X .030 SS
RONDELLE PLATE .265 X .500 X .030 SS

258662
DISCHARGED RIGHT NOZZLE
DISCHARGED RIGHT NOZZLE

255285
MIXER COVER
COUVERCLE DU MÉLANGEUR

253989
MIXER HOUSING
BOÎTIER MÉLANGEUR

22TAN10
GREY TUBING 8 MM ID X 12 MM OD
TUYAU GRIS 8 MM DI X 12 MM DE

22HAR12
SCREW M4 X 20 MM PAN PHIL SS
VIS M4 X 20 MM PAN PHIL SS

22ASS06
S-A SOLUBLE WHIPPER
S-A FOUETTEUR SOLUBLE

258661
DISCHARGED LEFT NOZZLE
DISCHARGED LEFT NOZZLE

255322
CONTAINER + WHIPPER 1.9L
CONTENANT + FOUET 1,9L

23CAB04
CANISTER MOVEMENT LIMITER
LIMITEUR DE MOUVEMENT DU CONTENANT

18HAR18
8-32 HEX NUT WITH LOCK WASHER
ECROU 8-32 HEXAGONAL SS ROND INTEGREE

22CAB02
WASTE CHUTE SEAL
SCELLEUR CHUTE A DÉCHETS

22HAR17
SCREW M4 X 10 MM ROUND PHIL SS (PLASTIC)
VIS M4 X 10 MM ROUND PHIL SS (POUR PLASTIQUE)

22CAB46
LEG LEVELERS DS
PATTES DS

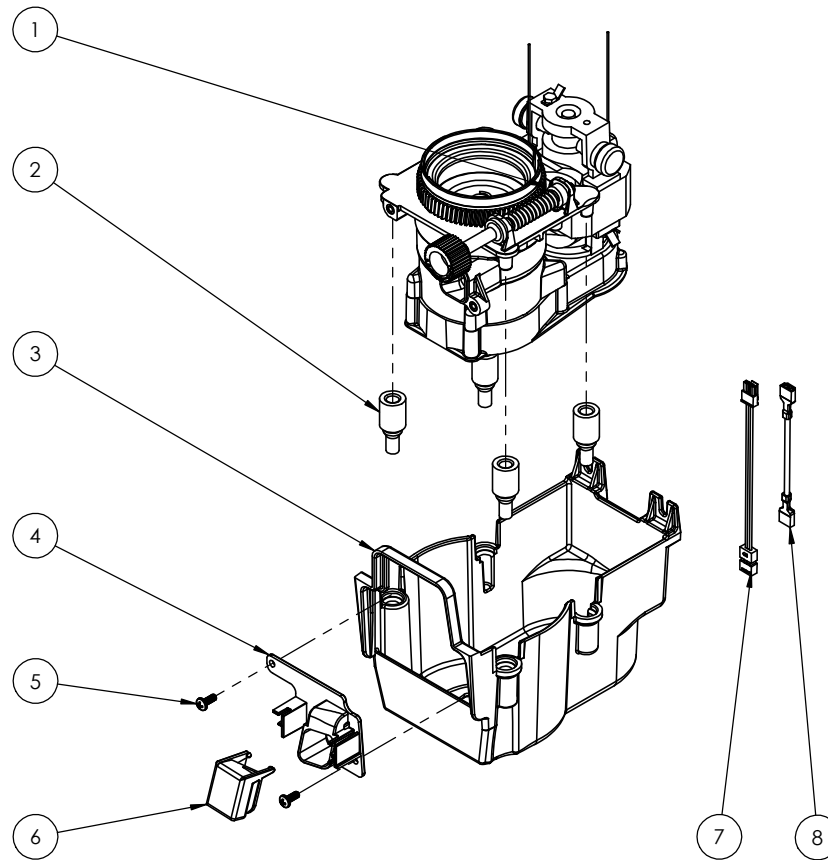
22CAB22
SIDE SKIRT DESIGNER SYMBOL
JUPE DESIGNER SYMBOL

22HAR17
SCREW M4 X 10 MM ROUND PHIL SS (PLASTIC)
VIS M4 X 10 MM ROUND PHIL SS (POUR PLASTIQUE)

SYMBOL™
SYMBOL™

# ITEM	# PIECE	ENGLISH DESCRIPTION	DESCRIPTION FRANCAISE	QTY/QTE
1	256140	FRESH BREW GRINDER ASSEMBLY, 110 VOLT	MOULIN A CAFE WITTENBORG 110 V	1
2	099484	LITTLE RUBBER	LITTLE RUBBER	4
3	22CAB26	GRINDER SUPPORT DS	SUPPORT MOULIN DS	1
4	22CAB34	GRINDER'S COFFEE CHUTE DS	CHUTE A CAFE DU MOULIN DS	1
5	22HAR07	SCREW M4 X 10 MM PAN PHIL SS PASSIVATED	VIS M4 X 10 MM PAN PHIL SS PASSIVÉE	2
6	251961	ANTI-DUST WEIGHT	POIDS ANTI-POUSSIÈRE	1
7	22ELC15	HALL SENSOR FOR DS GRINDER	CABLE CAPTEUR DE TOURS DU MOULIN DS	1
8	22ELC20	DS GRINDER GROUND CABLE	CABLE MISE A LA TERRE MOULIN DS	1

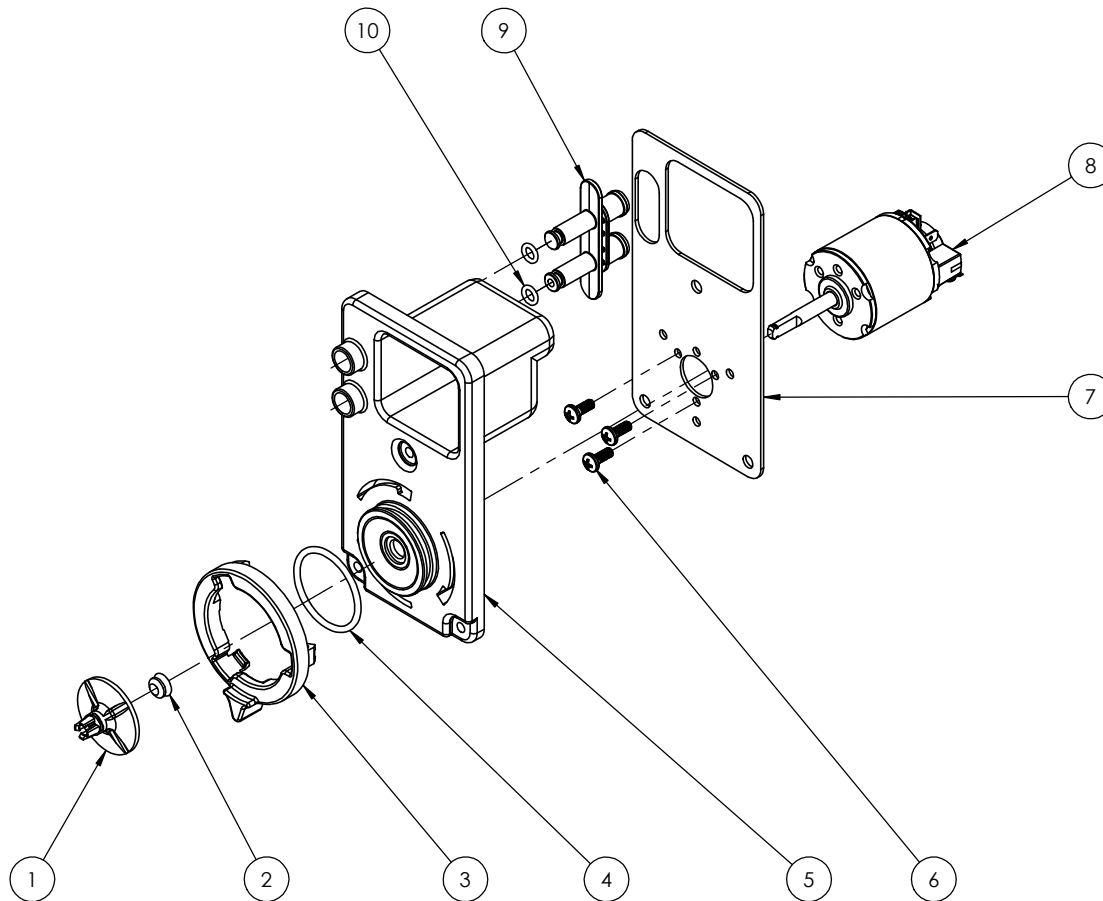
GROUPE MOULIN À CAFÉ
 COFFEE GRINDER GROUP

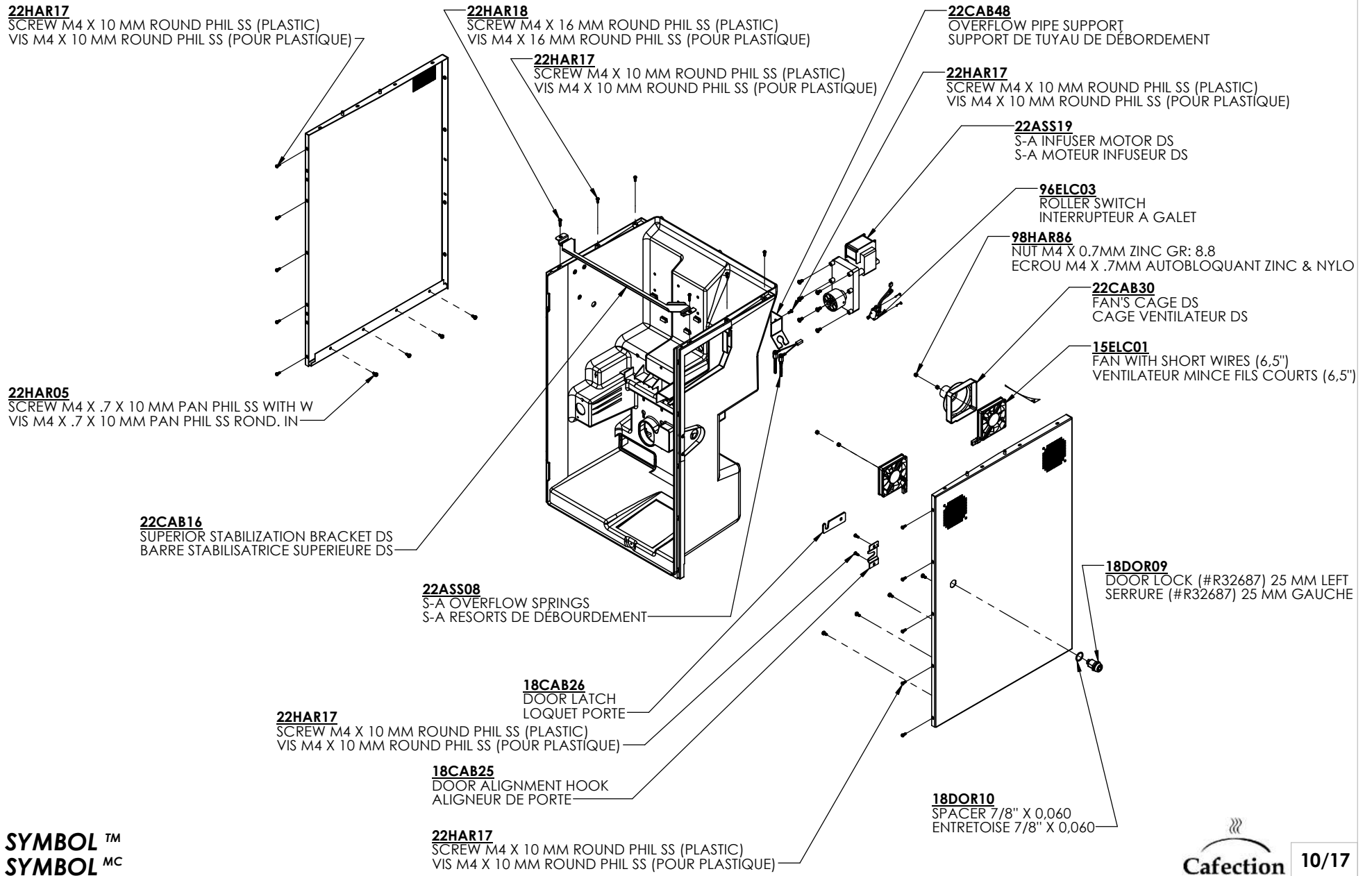


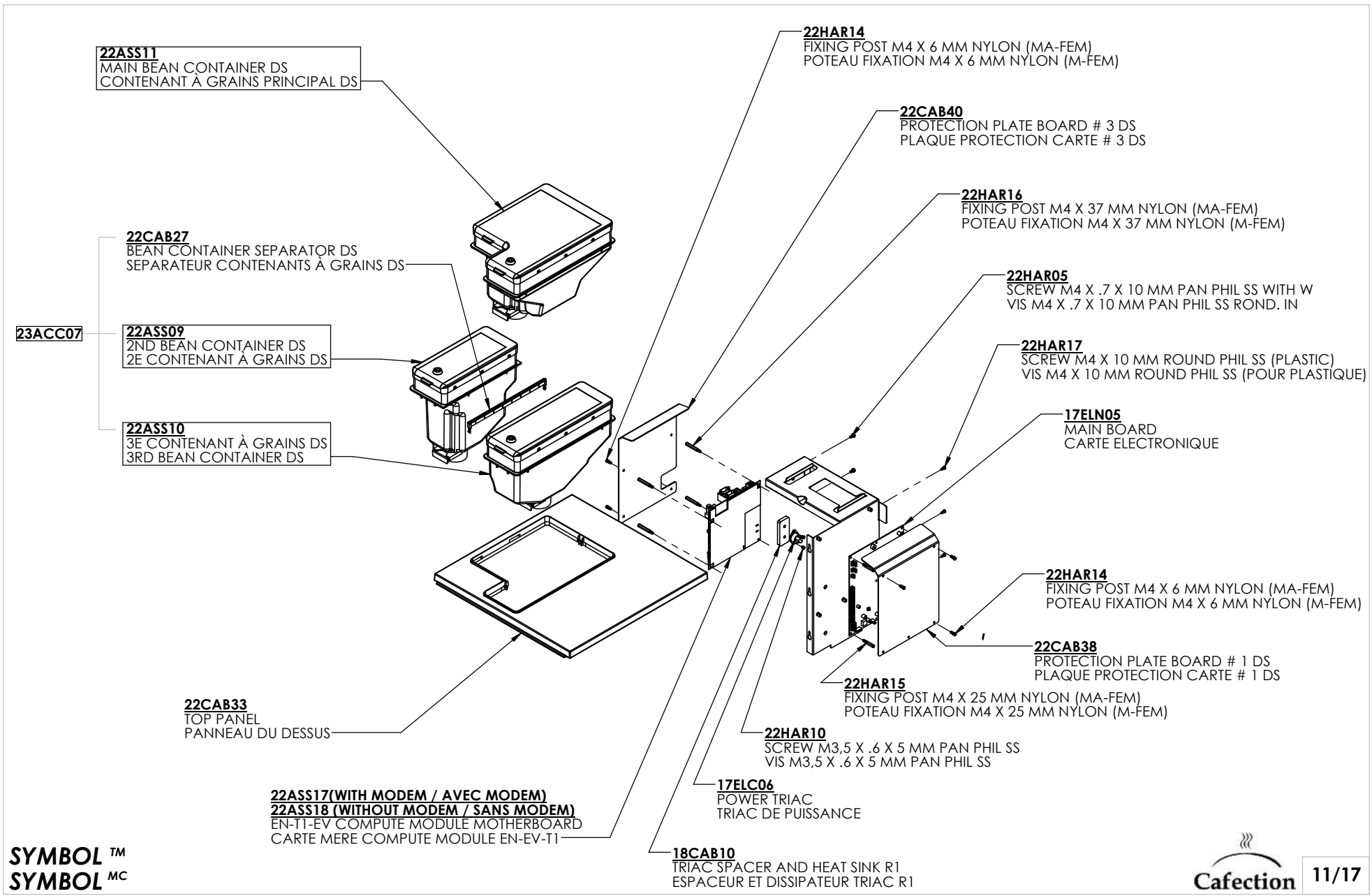
# ITEM	# PIECE	ENGLISH DESCRIPTION	DESCRIPTION FRANCAISE	QTY/QTE
1	253991	MIXER VENTILATOR	VENTILATEUR MÉLANGEUR	1
2	259612	V RING	ANNEAU EN V	1
3	253998	MIXER RING NUT	ÉCROU DU FOUETTEUR	1
4	253985	GASKET OR 3137	JOINT TORIQUE 3137	1
5	253990	MIXER FLANGE	BRIDE DU FOUETTEUR	1
6	22HAR07	SCREW M4 X 10 MM PAN PHIL SS PASSIVATED	VIS M4 X 10 MM PAN PHIL SS PASSIVÉE	3
7	22CAB13	WHIPPER MOUNT PLATE SEAL	JOINT PLAQUE MONTAGE FOUETTEUR	1
8	259398	BLENDER MOTOR	MOTEUR DU FOUETTEUR	1
9	22CHO01	WHIPPER WATER INLET FITTING DS	CONNECTEUR ARRIVÉE D'EAU FOUETTEUR DS	1
10	253984	GASKET OR 2021	JOINT TORIQUE 2021	2

22ASS06

S-A SOLUBLE WHIPPER
S-A FOUETTEUR SOLUBLE

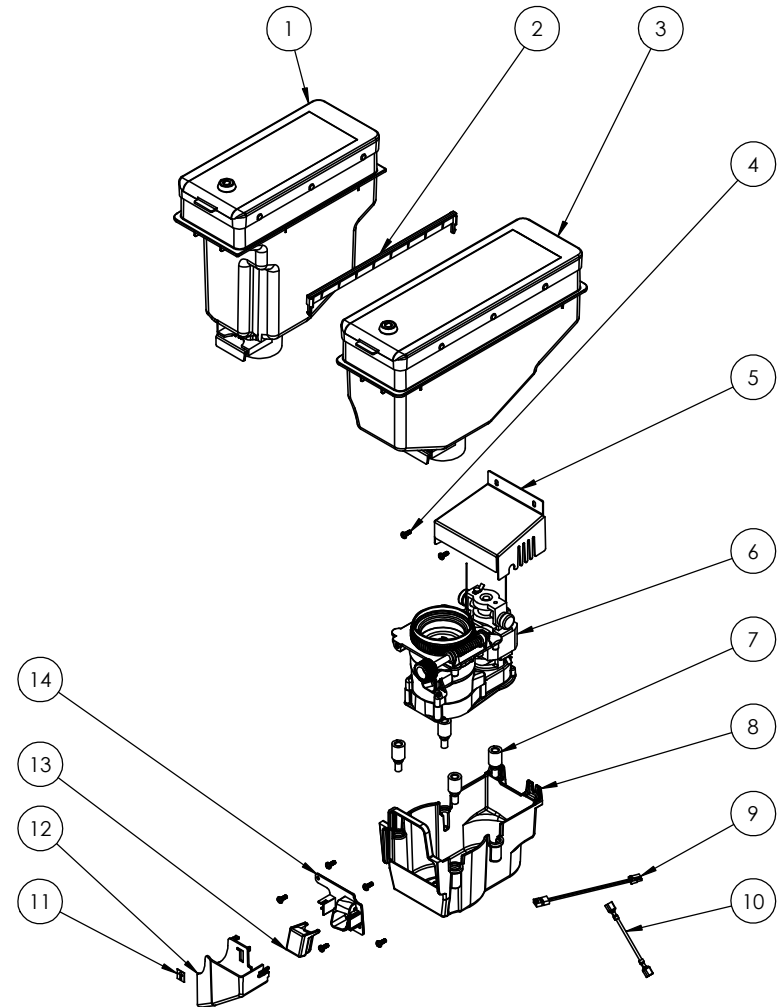






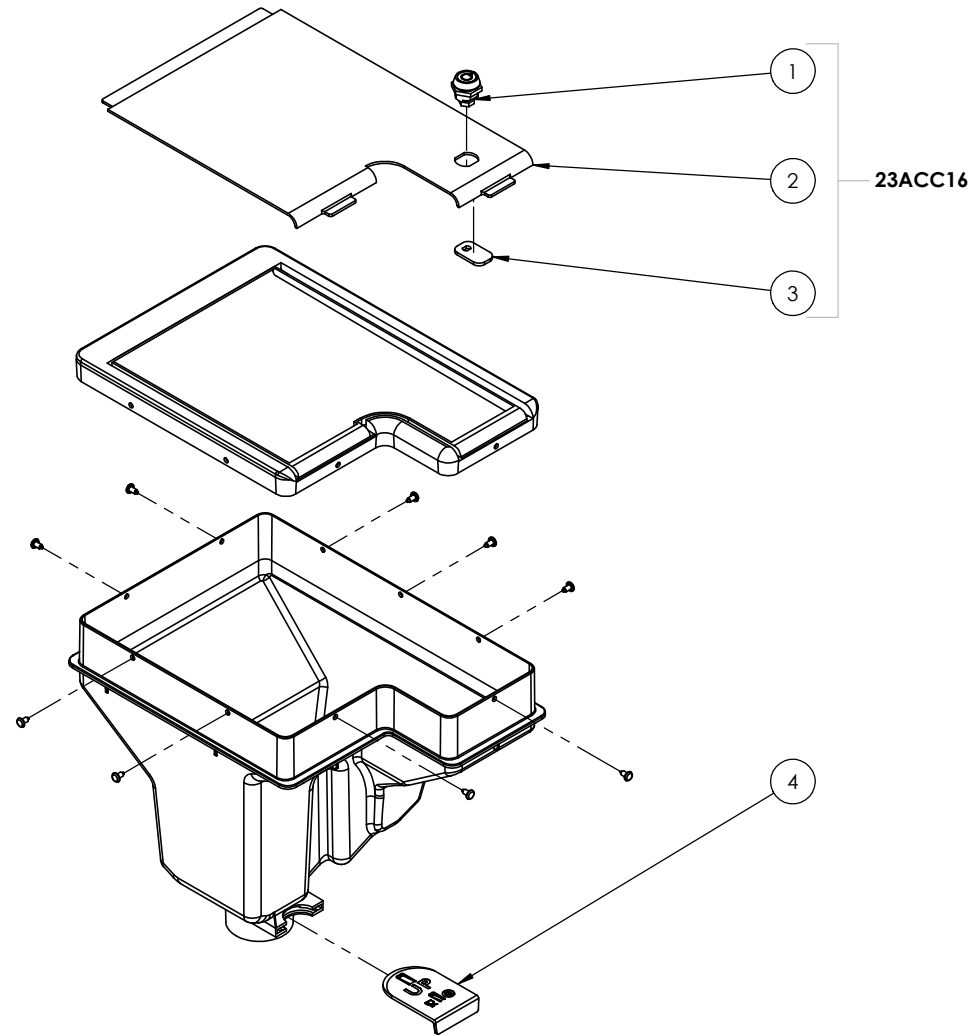
# ITEM	# PIECE	ENGLISH DESCRIPTION	DESCRIPTION FRANCAISE	QTY/QTE
1	22ASS09	2ND BEAN CONTAINER	2EME CONTENANT À GRAINS	1
2	22CAB27	BEAN CONTAINER SEPARATOR DS	SEPARATEUR CONTENANTS À GRAINS DS	1
3	22ASS10	3RD BEAN CONTAINER	3EME CONTENANT À GRAINS	1
4	22HAR07	SCREW M4 X 10 MM PAN PHIL SS PASSIVATED	VIS M4 X 10 MM PAN PHIL SS PASSIVÉE	7
5	22CAB37	GRINDER COVER FOR DESIGNER SYMBOL	COUVERCLE MOULIN A CAFE DESIGNER SYMBOL	1
6	256140	FRESH BREW GRINDER ASSEMBLY, 110 VOLT	MOULIN A CAFE WITTENBORG 110 V	1
7	099484	LITTLE RUBBER	LITTLE RUBBER	4
8	22CAB26	GRINDER SUPPORT DS	SUPPORT MOULIN DS	1
9	22ELC15	HALL SENSOR FOR DS GRINDER	CABLE CAPTEUR DE TOURS DU MOULIN DS	1
10	22ELC20	DS GRINDER GROUND CABLE	CABLE MISE A LA TERRE MOULIN DS	1
11	23LAB09	CHUTE PUSH LABEL SYMBOL	DECALQUE POUSSER LA CHUTE SYMBOL	1
12	22CAB36	2ND GRINDER'S CHUTE DS	CHUTE DU 2E MOULIN DS	1
13	251961	ANTI-DUST WEIGHT	POIDS ANTI-POUSSIÈRE	1
14	22CAB34	GRINDER'S COFFEE CHUTE DS	CHUTE A CAFE DU MOULIN DS	1

23ACC07
2ND GRINDER SYMBOL
ENS. 2EME MOULIN SYMBOL



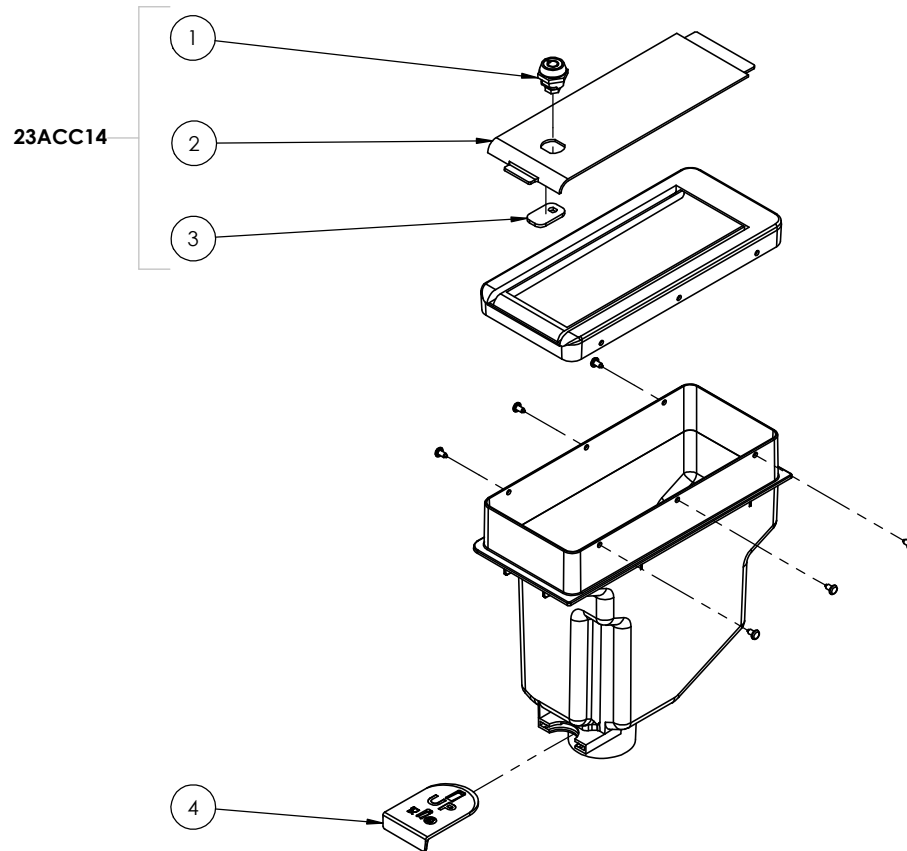
# ITEM	# PIECE	ENGLISH DESCRIPTION	DESCRIPTION FRANCAISE	QTY/QTE
1	PEDOR03	#R32687 LOCK 13 MM	SERRURE (#R32687) 13 MM	1
2	22CAN12	MAIN BEAN CONTAINER COVER DS	COUVERCLE CONT. GRAINS PRINCIPAL DS	1
3	16CAN04	EL 3 BEANS CANISTER HOLDING BRACKET	PLAQUE RETENUE CONTENANT 3 GRAINS EL	1
4	22CAN03	BEAN CONTAINER FLAPPER DS	CLAPET GRAINS CONT. GRAINS DS	1

22ASS11
MAIN BEAN CONTAINER
CONTENANT À GRAINS PRINCIPAL



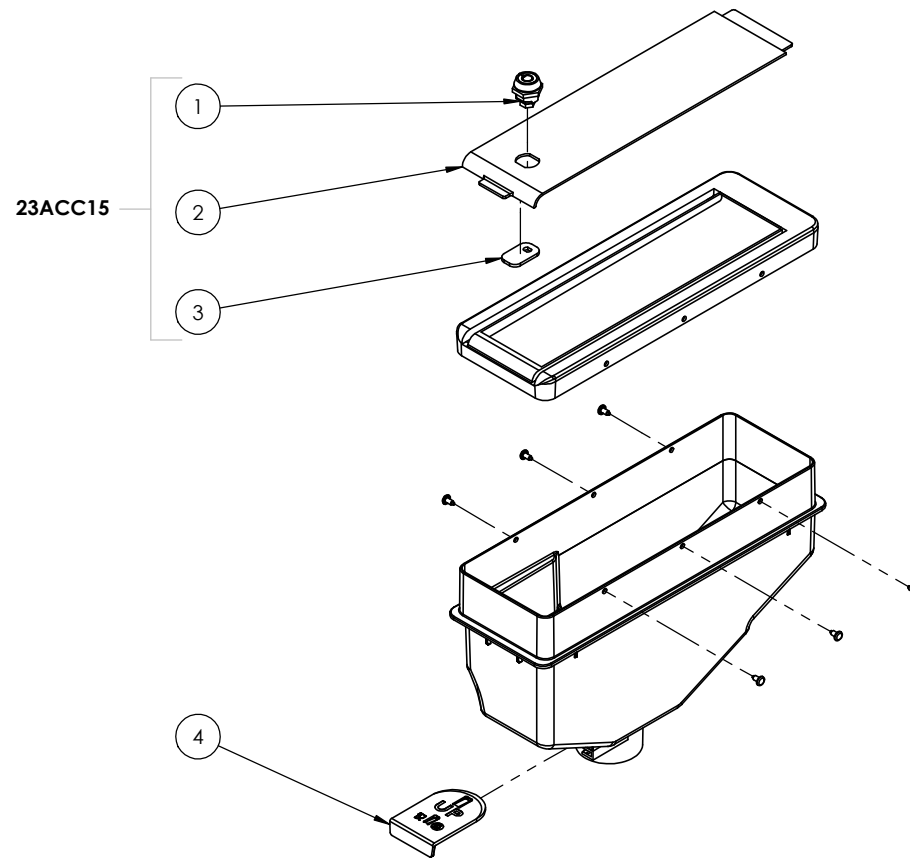
# ITEM	# PIECE	ENGLISH DESCRIPTION	DESCRIPTION FRANCAISE	QTY/QTE
1	PEDOR03	#R32687 LOCK 13 MM	SERRURE (#R32687) 13 MM	1
2	22CAN08	2ND BEAN CONTAINER COVER DS	COUVERCLE 2E CONT. GRAINS DS	1
3	16CAN04	EL 3 BEANS CANISTER HOLDING BRACKET	PLAQUE RETENUE CONTENANT 3 GRAINS EL	1
4	22CAN03	BEAN CONTAINER FLAPPER DS	CLAPET GRAINS CONT. GRAINS DS	1

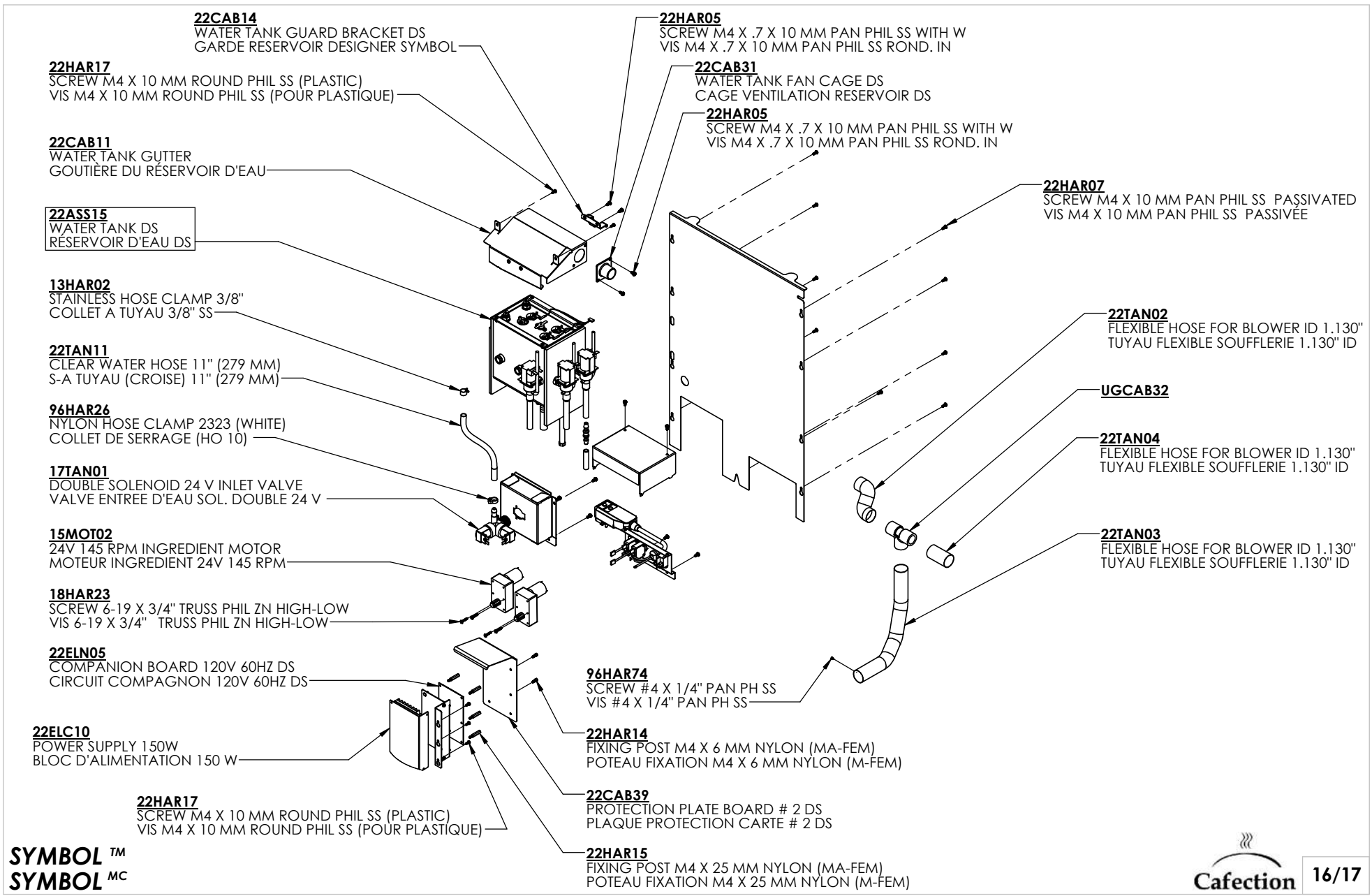
22ASS09
2ND BEAN CONTAINER
2EME CONTENANT À GRAINS



# ITEM	# PIECE	ENGLISH DESCRIPTION	DESCRIPTION FRANCAISE	QTY/QTE
1	PEDOR03	#R32687 LOCK 13 MM	SERRURE (#R32687) 13 MM	1
2	22CAN10	3RD BEAN CONTAINER COVER DS	COUVERCLE 3E CONT. GRAINS DS	1
3	16CAN04	EL 3 BEANS CANISTER HOLDING BRACKET	PLAQUE RETENUE CONTENANT 3 GRAINS EL	1
4	22CAN03	BEAN CONTAINER FLAPPER DS	CLAPET GRAINS CONT. GRAINS DS	1

22ASS10
3RD BEAN CONTAINER
3EME CONTENANT À GRAINS





# ITEM	# PIECE	ENGLISH DESCRIPTION	DESCRIPTION FRANCAISE	QTY/QTE
1	17TAN34	TANK	RÉSERVOIR EAU CHAUDE ENCORE 29	1
2	17TAN26	HIGH LEVEL PROBE	SONDE NIVEAU HAUT	1
3	18ELC07	WIRE HARNESS WATER LEVEL PROBES ET R1	HARNAIS DES SONDES NIV EAU ET R1	1
4	17TAN28	LOW LEVEL PROBE	SONDE NIVEAU BAS	1
5	17TAN29	GROUND PROBE	SONDE MISE A LA TERRE	1
6	17TAN25	TEMPERATURE PROBE ET	SONDE DE TEMPERATURE ET	1
7	17TAN36	TEMPERATURE PROBE BRACKET	SUPPORT SONDE TEMPERATURE	1
8	17TAN35	LEVEL PROBES BRACKET	SUPPORT SONDES NIVEAU	3
9	13HAR08	SCREW 6-32 X 3/8" PAN PHIL ZN W STAR WAS	VIS 6-32 X 3/8" PAN PHIL ZN ROND INTE	4
10	17HAR01	NUT 4-40 SS TOOTHED 1/4 LG	ECROU 4-40 SS DENTELE 1/4 LG	2
11	17ELC18	BI-METALLIC THERMAL DISK 225°F	DISQUE THERMIQUE BI-METAL 225°F	1
12	18TAN01	TANK LID ET R1	COUVERCLE DE RÉSERVOIR ET R1	1
13	17TAN24	HEATING ELEMENT 1250W 120V	ELEMENT CHAUFFANT 1250W 120V	1
14	22TAN05	HOSE WITH NOZZLE (330 MM)	TUYAU AVEC EMBOUT (330 MM)	2
15	22TAN07	HOSE COFFEE 15" (381 MM)	S-A TUYAU CAFE DS 15" (381 MM)	1
16	17TAN32	OUTLET VALVES SIDE INSULATION	ISOLANT COTE VALVES	1
17	11HAR10	SNAP-IT HOSE CLAMP RANGE .475"-.536"	COLLET DE NYLON .475"-.536"	1
18	23TAN01	DRAIN HOSE 3/6" (914MM) (WITH PLUG)	S-A TUYAU VIDANGE 3/6" (914MM) + BOUCHON	1
19	22TAN09	BROWN VENT 1 HOSE 320MM	S-A TUYAU VENT 1 (BRUN) 320MM	1
20	96HAR26	NYLON HOSE CLAMP 2323 (WHITE)	COLLET DE SERRAGE (HO 10)	1
21	17TAN31	CONTOUR INSULATION	ISOLANT CONTOUR	1
22	17TAN23	OUTLET VALVE (DSVP1 1N) 24 V	VALVE DE SORTIE (DSVP1 1N) 24 V	3
23	22TAN06	WATER HEATER CAP	BOUCHON DU CHAUFFE EAU	2
24	96TAN44	O-RING - ID 0.489" - OD 0.629"	JOINT TORIQUE - DI 0,489" - DE 0,629"	2
25	17TAN33	SIDE INSULATION	ISOLANT COTE	1

