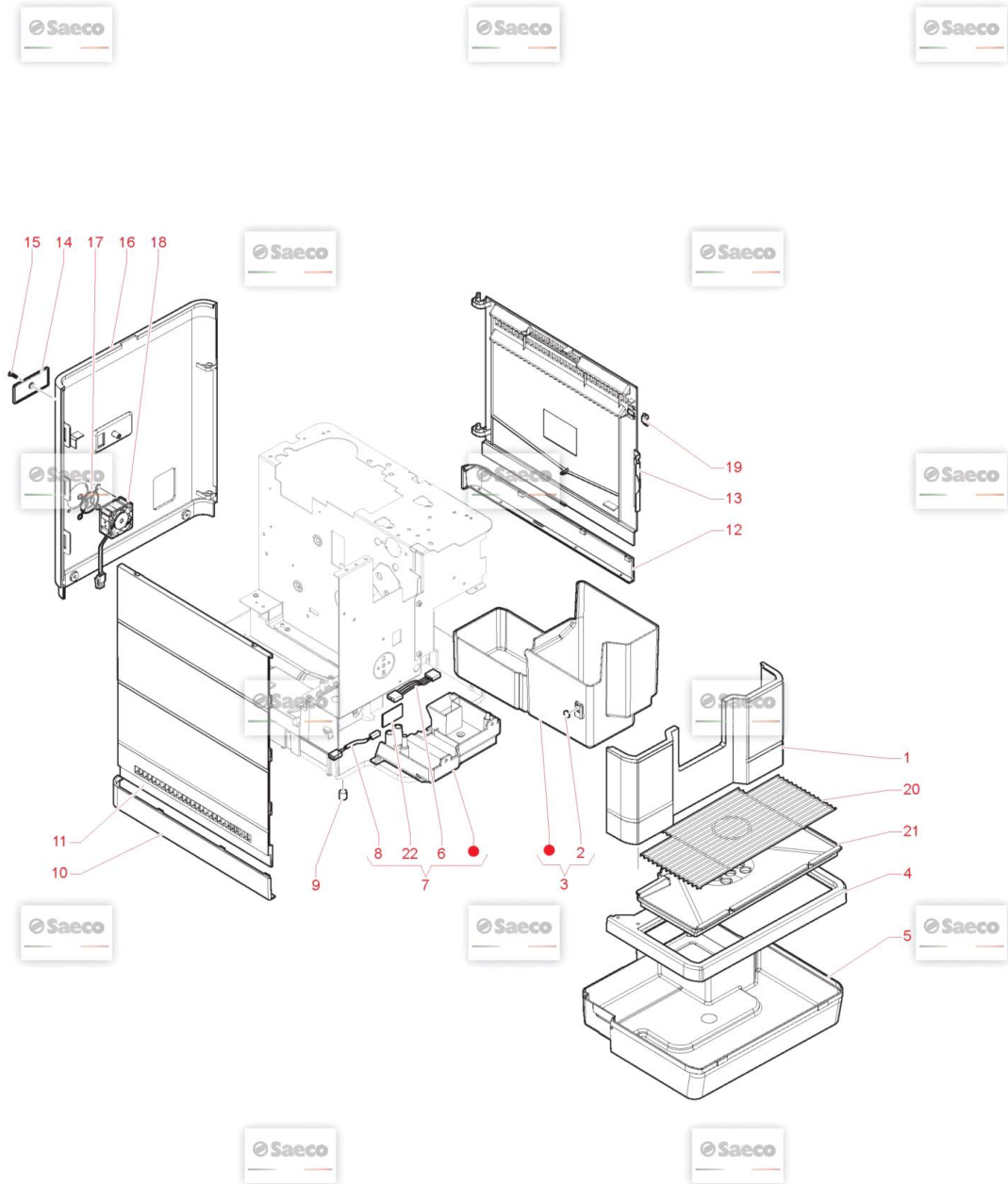
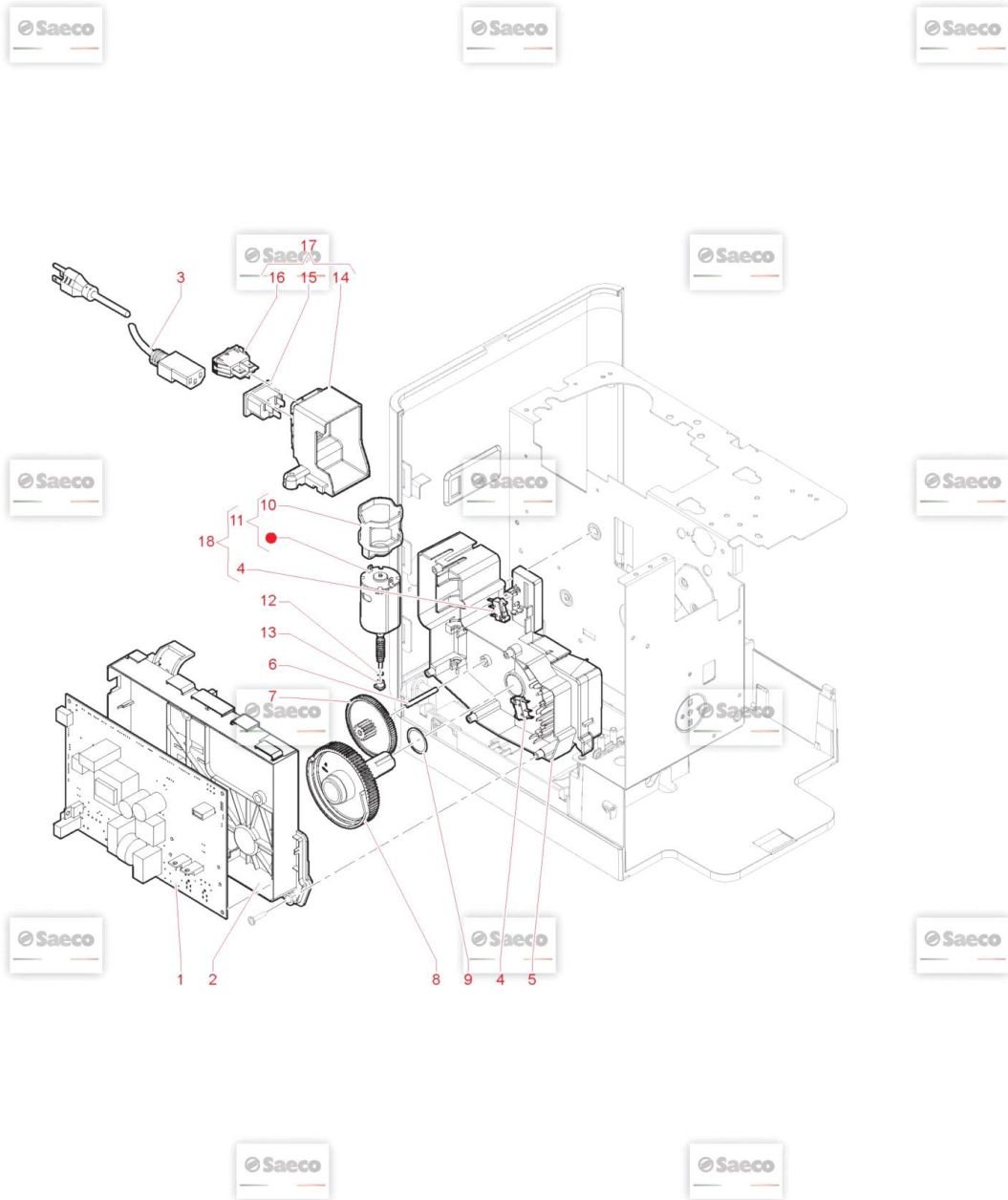


Pos.	Item	Repl. by	Description	Notes	Price (USD)
0001	265463		TABLET SUPPORT FRAME		
0002	265519		7" TABLET - MAGIC		
0003	265446		USB TABLET WIRING		
0004	265518		TABLET SUPPORT		
0005	256909		PIPE CLAMP DIAM.7 MAX - MAGIC		
0006	265490		O-RING GASKET 2012		
0006	266159		OR 3.1X1.6 VITON -GREEN-		
0007	265844		MILK TUBE COVER		
0008	265424		MILK FOAMER ASSY		
0009	265521		MILK DISTRIBUTION TUBE		
0010	266165		FRONT		
0011	0V3126		MAGNET - ALL M/C		
0012	265465		WATER/COFFEE DISP. - MAGIC		
0013	265466		DOUBLE COFFEE DISP. - MAGIC		
0014	265509		MILK TUBE FITTING - MAGIC		
0015	265447		MOBILE DISPENSER SLEEVE - MAGIC		
0016	265480		CENTRAL SLEEVE INSERT		
0017	265512		AIR INLET NOZZLE		
0018	265381		MICRO MILK FOAMER SUPPORT		
0019	265481		CLEAR LENS FOR LED		
0020	11025772		CAPPUCCINATORE BOARD RYL		
0021	17000421		BLACK CAPPUCCINATORE PRESENCEINSERT RYL		
0022	17000019		SS CARAFE MICRO INSERT SPRINGMYB9		
0023	265456		BOARD HOLDER COVER		
0024	265514		INNER PLATE FOR SLIDE		
0025	265513		OUTER PLATE FOR SLIDE		
0026	265487		SPRING FOR LATCH		
0027	265438		MILK FOAMER WIRING		
0028	265444		LED WIRING		
0029	265504		90° RAPID COUPLING FOR D.3 TUE		
0030	260986		SNAP-ON SPRING - MAGIC		
0031	265505		WATER STEAM FITTING		
0032	140328059		O RING - MAGIC		
0033	265432		INNER BODY ASSEMBLY		
0034	265507		ROTATING COFFEE FITTING		
0035	265477		COFFEE FITTING GEAR		
0036	265525		GEAR PLATE		
0037	265460		MILK COLUMN COVER		
0038	265479		CHROME-PLATED LEFT OUTER INSERT		
0039	265478		CHROME-PLATED RIGHT OUTER INSERT		
0040	265453		AESTHETIC COVER		
0041	265430		COVER ASSEMBLY - MAGIC		
0042	265458		LOWER COVER DISPENSER SUPPORT		
0043	265467		DOUBLE MILK DISPENSER		
0044	265503		SILICONE TIP		
0045	265457		COVER		
0046	265474		UPPER INLET GASKET		

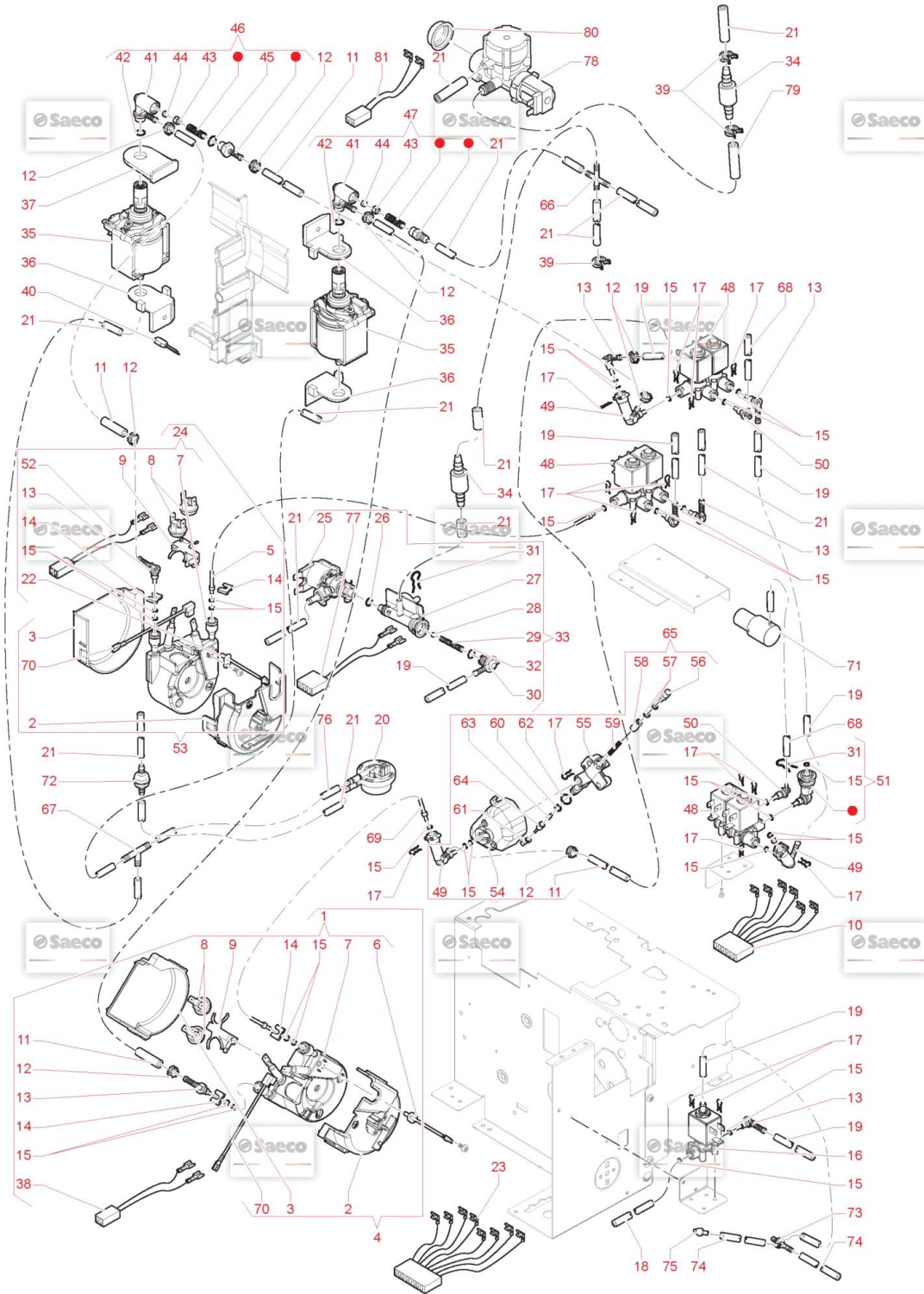
Pos.	Item	Repl. by	Description	Notes	Price (USD)
0047	265380		HORIZONTAL BODY		
0048	17000389		GREY LEFT CAPPUCCINATORE INSERT RYL		
0049	263235		TAPER SPRING		
0050	265499		LOWER MILK FOAMER PLATE		
0051	265905		STEAM INLET CONNECTION D.1.25-WHITE-		
0052	NM01.058		OR 2031 SILICONE		



Pos.	Item	Repl. by	Description	Notes	Price (USD)
0001	265695		BOTTOM DRAWER LID-BLACK-		
0002	9991.093		MAGNET D= 9,5 X H= 1,5		
0003	265433		BOTTOM TRAY ASSEMBLY		
0004	265526		WATER TRAY INSERT-BLACK-		
0005	265523		DRIP TRAY - MAGIC		
0006	265439		DRAIN SENSOR WIRING		
0007	265449		LOWER SUPPORT CLOSURE		
0008	265445		REED SENSOR WIRING		
0009	421324705256		FOOT - MAGIC		
0010	265502		LH SIDE PANEL - MAGIC		
0011	265794		LEFT FLANK UL		
0012	265501		RH SIDE PROFILE - MAGIC		
0013	265793		PORT EXTR.GRUP.UL		
0014	263672		USB SOCKET COVER		
0015	265531		3.5X12 SELF-TAPPING SCREW		
0016	266166		REAR		
0017	9111.765		GRATE		
0018	265024		FAN - MAGIC		
0019	263917		MAGNETIC PLATE		
0020	265472		DRIP TRAY GRID - MAGIC		
0021	265803		SEWAGE TANK COVER		
0022	421941306721		CPU+ SW WATER LEVEL SENSOR V3 ASSY.		



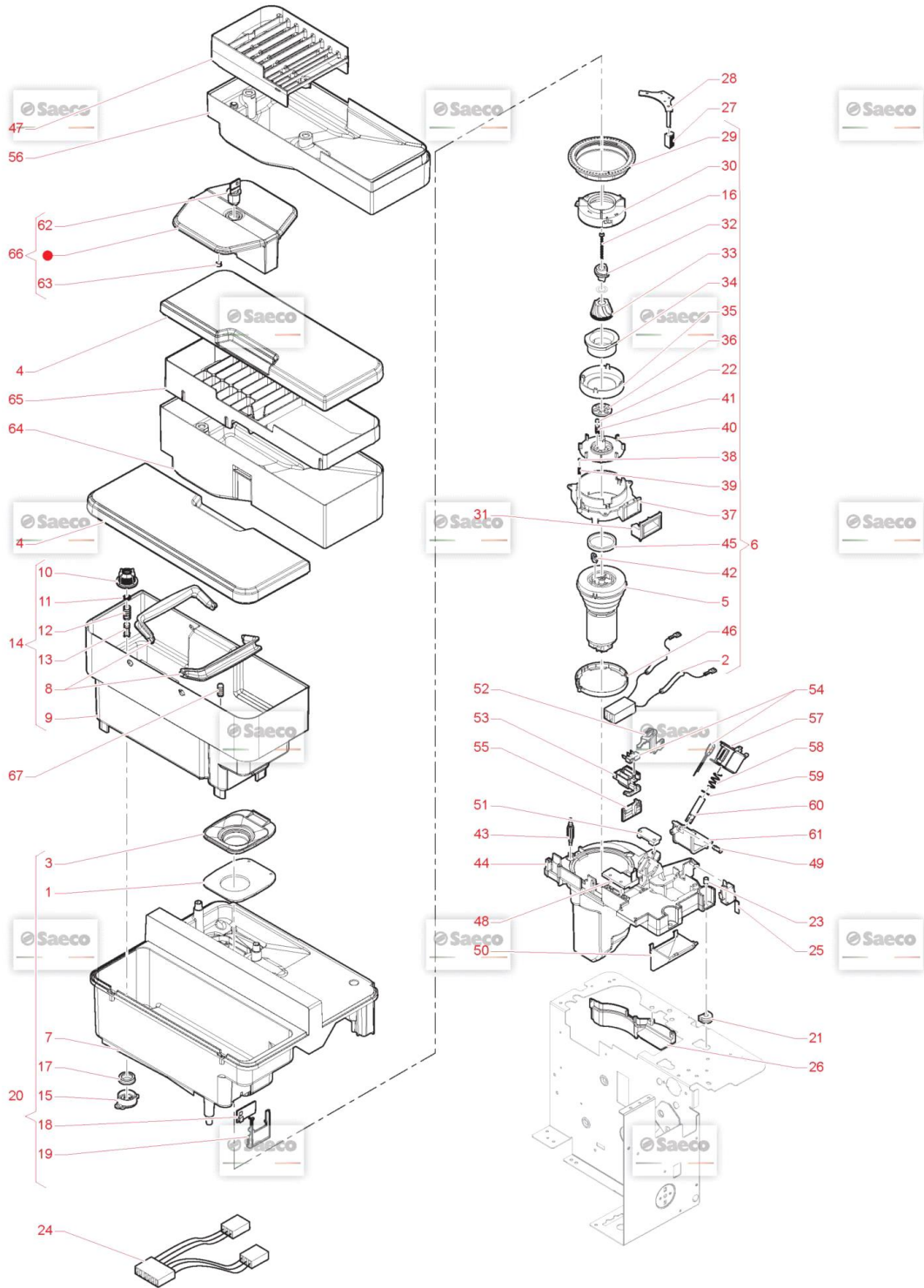
Pos.	Item	Repl. by	Description	Notes	Price (USD)
0001	266168		CPU BOARD 120V		
0002	265517		BOARD SUPPORT - MAGIC		
0003	263280		CABLE AL.USA SJTO UL L= 1200		
0004	263403		MISCROSWITCH ASSY - MAGIC		
0005	11026258		GREY RATIOMOTOR CASING WITH TUBE ASSY.		
0006	9121.039		STEEL PIN FOR RATIOMOTOR GEARMAGIC		
0007	146002800		GREY GEAR Z= 13/90 FOR RATIOMOTOR P124		
0008	265476		GEARMOTOR GEAR		
0009	9161.368		MYLAR WASHER FOR RATIOMOTOR		
0010	9121.044		ANTIVIBRATION FOR MOTOR		
0011	11005214		BREWER MOTOR ASSY - MAGIC.		
0012	148380200		BAKELIZZATE WASHER D= 5,5		
0013	9121.046		BRONZE SINTERED BUSH FOR MOTORRATIOMOT.		
0014	11028204		BLACK SOCKET-SWITCH SUPPORT RYL UL		
0015	12001883		CUP SOCKET V3 EN 60320 C 13		
0016	242212625107		POWER SWITCH - MAGIC		
0017	266167		CONNECTOR ASSEMBLY		
0018	264958		ASS_GEN_MOTOR MOTORID_RY18		





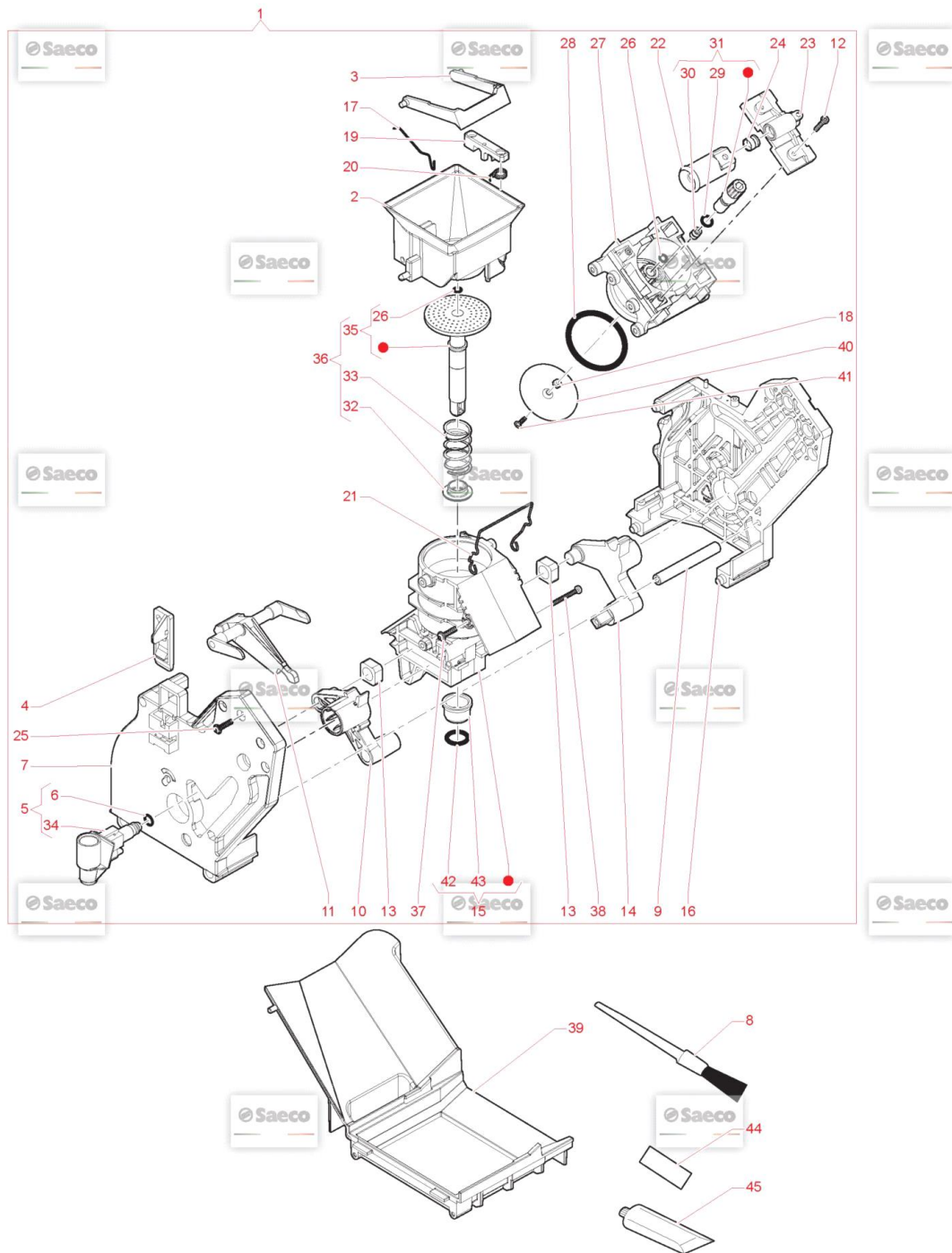
Pos.	Item	Repl. by	Description	Notes	Price (USD)
0001	266251		BOILER ASSEMBLY SLIM COFFEE PIPE STRAIGHT FITTING -120V-		
0002	265461		BOILER REAR COVER		
0003	265459		BOILER FRONT COVER		
0004	266171		COFFEE BOILER ASSEMBLY 120V		
0005	263980		2X4 TEFLON TUBE ASSEMBLY LENGTH = 180 MILLIMETERS + 2BO		
0006	17800628		TEMPERATURE SENSOR NTC UL L= 550MM		
0007	266182		BOILER ASSEMBLY 1300W 120V		
0008	12001033		THERMOSTAT 190 - MAGIC		
0009	421944012251		STEEL BOILER THERMOS.FIXING SPRING TRX1		
0010	265441		WIRING 3 SOLENOID VALVES		
0011	265415		5X8.9 SILICONE TUBE - MAGIC		
0012	12000892		OETIKER CLAMP D= 9,5 16700004		
0013	421944059391		WHT CONNECT.FAST LOCK 90 SILIC.TUBE PPS		
0014	260986		SNAP-ON SPRING - MAGIC		
0015	140328059		O RING - MAGIC		
0016	265468		SOLENOID VALVE 3WAY 24V		
0017	9011.144		SS FORK FOR TUBE D= 4		
0018	265428		TEFLON HOSE ASSY 2X4 - MAGIC		
0019	253714		TRANSPARENT HOSE 4X8		
0020	NV99.099		VOLUMETRIC COUNTER - MAGIC		
0021	265413		5X10 SILICONE TUBE - MAGIC		
0022	190800100		TEMPERATURE SENSOR - MAGIC		
0023	265442		WIRING 4 SOLENOID VALVES		
0024	266252		BOILER ASSEMBLY SLIM STEAM PIPE STRAIGHT FITTING -120V-		
0025	265522		SOLENOID PILOT VALVE - MAGIC		
0026	NM01.028		O-RING 106 SILICONE		
0027	265464		VALVE BODY		
0028	421944034451		BOROSILICATE SPHERE D.5 MM		
0029	265486		CONICAL SPRING		
0030	265510		VALVE BODY OUTLET FITTING		
0031	11005096		SS FORK SPRING FOR BLOWDOWN VALVE P0049		
0032	266694		SEAL OR -RED		
0033	265536		DRIP SLEEVE ASSY		
0034	258779		CHECK VALVE - OP/KA/KAR/LR		
0035	12000131		ULKA PUMP EP5/S 120V-60HZ		
0036	149205850		BLACK TYPE ULKA PUMP W/ BEVEL SUPPORT		
0037	257894		SUPPORT PUMP		
0038	265420		ESPRESSO BOILER CONNECTION WIRING		
0039	NV99.087		BAND D= 11/11,6		
0040	265417		PUMP WIRING		

Pos.	Item	Repl. by	Description	Notes	Price (USD)
0041	11002149		BLACK PUMP OUTLET 90° CONNECTOP0049/A		
0042	140321961		O-RING 2031 NFDA NBR 70 FDA		
0043	11001678		TEA/BRASS BUSH CH 7 FOR SAFETYVALVE		
0044	145848865		VITON SEAL D= 6 TH= 3 FOR SAFETYVALVE		
0045	251556		OR 2037 SEAL		
0046	265429		SAFETY VALVE ASSY 6 BAR- MAGIC		
0047	11035987		SAFETY VALVE ASSY 20/22 bar		
0048	265437		2 WAY VALVE - MAGIC		
0049	263690		ELBOW JOINT		
0050	265504		90° RAPID COUPLING FOR D.3 TUE		
0051	265416		AS SUPPORT LAMELLA HOLE CALIB		
0052	265421		STEAM BOILER CONNECTION WIRING		
0053	266172		STEAM BOILER ASSEMBLY 120V		
0054	17000156		BLACK HOT WATER PIN SUPPORT RYL		
0055	9161.434		HOT WATER PIN		
0056	11026413		TEA/BRASS HOT WATER PIN PLUG RYL		
0057	140326662		OR ORM 0040-20 SILICONE		
0058	11009012		TEA/BRASS BOILER PIN BUSH		
0059	9011.132		SS SPRING FOR PIN		
0060	NM01.057		OR ORM 0050-20 IN SILICONE		
0061	11005099		NATURAL CURSOR V2 FOR BOILER P119		
0062	NM01.035		OR ORM 0090-20 SILICONE		
0063	264936		PIN X PISTON L = 10 OT / LF		
0064	11009019		TEA/BRASS PISTON L= 20,9 ASSY.		
0065	265674		HOT WATER PIVOT ASSEMBLY		
0066	11036581		TRANSP.CROSS CONNECTOR D= 8 RYLO V2		
0067	NV99.004		CONNECTOR - MAGIC		
0068	265414		2X4 SILICONE TUBE - MAGIC		
0069	265427		TEFLON HOSE ASSY - MAGIC		
0070	11022471		BLACK CABLE 1WIRE SILIC.AWG16130 MM		
0071	265450		COMPRESSOR		
0072	12001595		TRANSP/WHITE ASPIRATION FILTERMDS		
0073	265506		MILK/SV. HOSES CONNECTION FITTING		
0074	265527		3.5X6 SILICONE TUBE		
0075	265516		MILK TUBE RESTRICTOR - MAGIC		
0076	265694		CAPILLARY TUBE ASSEMBLY		
0077	265443		ELECTROPILOT WIRING		
0078	11036130		SAFETY ELECTROVALVE 24V DC PHASE		
0079	265605		7X11 SILICONE TUBE -PER METRE-		
0080	NV03.002		CAP 3/4 "KAPSTO 800R 3/4"		
0081	266088		WIRING EV. WATER CIRCUIT		



Pos.	Item	Repl. by	Description	Notes	Price (USD)
0001	266163		GRINDER COVER PLATE		
0002	265411		COFFEE GRINDER CONNECTOR WIRING		
0003	265673		TOP COVER GASKET		
0004	263666		WATER TANK COVER-BLACK-		
0005	265376		COFFEE GRINDER MOTOR 120V		
0006	266170		120V NARROW COFFEE GRINDER ASSEMBLY		
0007	266164		UPPER COVER		
0008	265485		WATER TANK HANDLE		
0009	263886		WATER TANK - MAGIC M1		
0009	266183		WATER TANK -WATER MAINS-	WATER NETWORK VERS.	
0010	11036095		WHITE WATER CONTAINER EXT.FILTER ASSY.UL		
0011	140324362		OR ORM 0060-30 SILICONE		
0012	126764718		SS WATER CONTAINER VALVE SPRING		
0013	147660562	421941089692	GREY PISTON FOR WATER CONTAINER VALVE		
0014	263696		WATER TANK ASSEMBLY - MAGIC		
0014	266089		SELF-POWERED TANK ASSEMBLY	WATER NETWORK VERS.	
0015	264197		SINGLE TANK TUBE CONNECTION	WATER TANK VERS.	
0015	264198		TANK TUBE COUPLING	WATER NETWORK VERS.	
0016	265923		SCREW 3.5X40 LEFT		
0017	145842900		NBR WATER CONT.VALVE GACO DIM14 SEAL		
0018	421941306721		CPU+ SW WATER LEVEL SENSOR V3 ASSY.		
0019	17000391		BLACK WATER LEVEL SENSOR SUPPORT RYL		
0020	266169		ASSEMBLY UPPER COVER	WATER TANK VERS.	
0020	266411		TOP COVER ASSEMBLY	WATER NETWORK VERS.	
0021	9991.005		RUBBER FOR COFFEE GRINDER		
0022	128610521		STAIL.STEEL AISI 304 SPHERE D= 5,5MM		
0023	9141.003		SPACER FOR RUBBER		
0024	265440		SENSOR WIRING		
0025	265448		MICRO DOOR + WIRING		
0026	17000832		GRY COFF.GRINDING/DOSE ADJUST.SCALE RYLO		
0027	0333.009		BLK GRINDING ADJUST.LEVER HANDGRIP ROYAL		
0028	0333.008		STEEL GRINDING ADJUSTMENT LEVER		
0029	146570950		RING NUT FOR GRINDING ADJUSTMENT MAGIC		
0030	149186150		BLACK UPPER GRINDER SUPPORT MAGIC		
0030	266123		UPPER GRINDER SUPPORT UNLOADED		
0031	264944		GASKET DOSER X 15G GROUP 15 g		
0032	147470763		BLK INCREASE SCREW PIN COF.GRINDER MAGIC		
0033	9141.040	266230	CONICAL GRINDER		

Pos.	Item	Repl. by	Description	Notes	Price (USD)
0034	9141.039	266230	UPPER GRINDER		
0035	142844550		UPPER GRINDER COVER COFFEE GRIND. MAGIC		
0036	9141.042		SAFETY RING		
0037	264937		AS.CONVOGLIATORE WITH LAMELLA		
0038	128610421		STAIL.STELL AISI 304 SPHERE D= 3,2MM		
0039	126770117		NEW SPRING SPHERE D= 3,2 MOTORMAGIG		
0040	9141.028	149188750	BLACK LOWER GRINDER SUPPORT MAGIC		
0041	126765517		STEEL SPRING SPHERE D= 5,5 MOTOR MAGIC		
0042	140230400		SHOCK ABS .CONICAL GRINDER SUPP.MAGIC		
0043	9991.103		ANTIVIBRATION FOR COFFEEGRINDER		
0044	265498		COFFEE GRINDER PLATE		
0045	140360200		FELT RING 40X34X5		
0046	264203		MC EVO REINFORCEMENT RING		
0047	263669		COFFEE CONTAINER RACK - MAGIC		
0048	17001155		GREY COVER FOR DOSER HOLE RYL		
0049	9161.076.150		GREY GROUND COF.DOSER DOOR PIN		
0050	9161.079.150		GREY GRIND COFFEE CONVEYOR MAGIC		
0051	264946		PIAST.FIS.LEVA DOS.CAF.MAC.STR		
0052	9161.077.150		DOSE ADJUSTMENT LEVER DE LUXEGREY		
0053	9161.072.150		GREY MICRO SUPP.CURSOR GROUNDCOF.DOSER		
0054	421946000921		COIL WIRING+ DOSER MICRO V2 RYLUL ASSY.		
0055	9161.073.150		GREY GROUND COF.DOSE CONTROL COMPENSATOR		
0056	263668		COFFEE CONTAINER - MAGIC		
0057	11025734		DOSER COIL FOR SUPERAUTOM.24V		
0058	126764818		SPRING ELECTROM.BEAN DOSER MAGIC		
0059	U701.003		SNAP RING 7 UNI 7434		
0060	265489		DOSER ELECTROMAGNET CORE		
0061	265515		COFFEE DOSER DOOR		
0062	12001902		LOCK MERONI -CANNISTER- MAGIC		
0063	421944006631		BLK MECH.OPENING LEVER PROTECTION TRX5		
0064	265451		COFFEE CONTAINER - MAGIC M2	FOR 9J0404	
0065	265471		COFFEE CONTAINER GRID- MAGIC		
0066	265435		CANNISTER LOCK LID - MAGIC		
0067	265971		WATER MAINS CAP	WATER NETWORK VERS.	



Pos.	Item	Repl. by	Description	Notes	Price (USD)
0001	265473		COFFEE UNIT 15G - MAGIC		
0002	265379		HOPPER UNIT 15GR		
0003	265511		SCRAPER UNIT 15G		
0004	265494		COFFEE UNIT CONNECTION PLATE		
0005	265423		WATER INLET - BREWER		
0006	NM02.007		OR 2025 IN TERMOIL		
0007	265500		REAR PLATE UNIT		
0008	127390100		BRUSH FOR CLEANING		
0009	9161.298		BRASS SPACER		
0010	120080722		ALUM.FEMALE ELBOW SHAFT		
0011	265436		CONNECTING ROD UNIT 15g		
0012	265990		SCREW 3X16 TORX		
0013	9161.094.050		BLACK BREW UNIT DRILLED BLOCK		
0014	120080622		ALUM.MALE ELBOW SHAFT		
0015	265545		COFFEE CONTAINER ASSEMBLY		
0016	265495		COFFEE UNIT FRONT PLATE		
0017	265488		SCRAPER SPRING		
0018	266138		M3 HEX NUT -STAINLESS STEEL-		
0019	265496		HOPPER FIXING PLATE		
0020	9161.378		SS HOPPER SPRING FOR BREW UNITSMART		
0021	11001556		SS BREW UNIT SPRING H= 49 SMART		
0022	265520		GASKET RETAINER HEAD		
0023	265484		COFFEE OUTLET SLEEVE		
0024	265475		GASKET SEAL SLEEVE		
0025	265529		4X12 STAINLESS STEEL SCREW FORPLASTIC		
0026	140328059		O RING - MAGIC		
0027	265452		COUNTERPISTON UNIT 15G		
0028	265491		O-RING GASKET 0400-40		
0029	265492	140324461	O-RING GASKET 0060-20		
0030	NF11.067		BRASS INSERT FOR PERCOLATOR LOCKING PIN		
0031	227470150		PIN BLACK ASS.FOR PERCOLATOR		
0032	9161.230.150		NEUTRAL BUSH FOR PISTON GREY		
0033	9161.229		SPRING FOR PISTON 9GR.		
0034	9161.064.050		BLACK WATER INLET SLEEVE BREWUNIT ROYAL		
0035	265425		PISTON ASSEMBLY WITH CAP UNIT15G		
0036	265422		COFFEE UNIT PISTON ASSY		
0037	129912521		SCREW TCBR TORX 10 3,5X14 PLAST.SS		
0038	265821		3X25 SCREW FOR STAINLESS STEELPLASTIC		
0039	263687		CAFFE' GROUP SUPPORT		
0040	11009224		PERCOLATOR D.45		
0041	265530		M3X25 STAINLESS STEEL SCREW		
0042	NM01.060		OR ORM 0120-30 SILICONE FDA		
0043	9161.244		NEUTRAL BUSH FOR CONTAINER 9GR		

Pos.	Item	Repl. by	Description	Notes	Price (USD)
0044	0301.961		STICKER FOR WATER HARDNESS TEST		
0045	421946017941		KLUBERLUB NH1 11-222 TUBE 5GR.		