

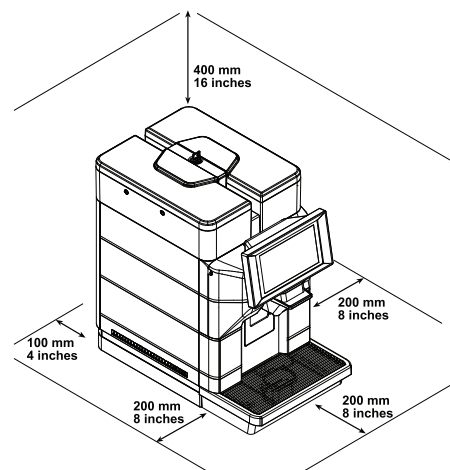
# MAGIC

## INSTALLATION SITE COMPLIANCE DECLARATION



### GENERAL MACHINE ENVIRONMENT

- The installation area is clean and clear of dust and tools. It is not located in an active construction zone.
- The counter accommodates the machine size and weight:
  - Dimensions: 11.0" (W) x 18.5" (H) x 18.9" (D)
  - Weight: 33.0 lb
- Machine can safely be installed with minimum clearance:
  - Top: 16" - Filling the machine from the top and access the tanks.
  - Sides: 8" - Opening the service compartment doors.
  - Back: 4" - Electrical and water connections space.

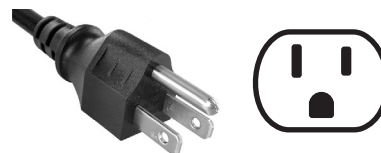


### ELECTRICAL REQUIREMENTS

The electrical configuration must match the Magic Site Preparation Checklist's electrical requirements, prior to request the installation of the coffee machine. To do so, **we recommend that you consult a qualified professional electrician.**

Magic Specifications	120 V, 60 Hz, 1300 W NEMA 5-15 Plug
----------------------	----------------------------------------

- Power outlet receptacle is NEMA 5-15R.
- Dedicated breaker.
- No extension cord or power strip on the circuit.



### WATER SPECIFICATIONS

The water configuration must match the Magic Site Preparation Checklist's water specifications, prior to request the installation of the coffee machine. To do so, **we recommend that you consult a water filtration system specialist.**

- pH range is between 6.5 & 7.5.
- Hardness (TDS) is between 89 PPM & 142 PPM.

#### Water Network Option

- Pressure is between 1.5 bar & 8 bar.
- The water network provides cold, drinkable tap water.
- Dedicated 3/8" diameter water line.
- Shutoff valve with a 3/8" G male pipe fitting on machine's end.
- Machine water line is equipped with softness/filtration system and descaling device.



Evoca North America  
2355, avenue Dalton, Québec (Québec) G1P 3S3, Canada  
T: 800-561-6162 - F: 800-463-2739  
www.evocagroupna.com

Evoca Group Headquarters  
Via Roma, 24, 24030 Valbrembo BG Italy  
T: +39 035606111 - F: +39 095606560  
www.evocagroup.com